



US00D890044S

(12) **United States Design Patent** (10) **Patent No.:** **US D890,044 S**
Heinemann (45) **Date of Patent:** **** Jul. 14, 2020**

(54) **AUTOMOBILE BONNET COMPONENT**

(71) Applicant: **BRABUS GmbH**, Bottrop (DE)

(72) Inventor: **Andreas Heinemann**, Burg (DE)

(73) Assignee: **BRABUS GmbH** (DE)

(**) Term: **15 Years**

(21) Appl. No.: **29/677,323**

(22) Filed: **Jan. 18, 2019**

(51) **LOC (12) Cl.** **12-08**

(52) **U.S. Cl.**
USPC **D12/173**

(58) **Field of Classification Search**
USPC D12/90, 91, 92, 169, 173, 181, 184, 190,
D12/195, 196, 203
CPC B60J 5/00; B60J 5/02; B60J 5/04; B60J
5/10; B62D 25/02; B62D 25/04
See application file for complete search history.

(56) **References Cited**

U.S. PATENT DOCUMENTS

D391,909 S *	3/1998	Wittine	D12/173
D477,552 S *	7/2003	Britt	D12/173
D499,992 S *	12/2004	Chan	D12/173
D508,665 S *	8/2005	Chan	D12/173
D545,252 S *	6/2007	Chiang	D12/173
D548,151 S *	8/2007	Chiang	D12/173

D548,152 S *	8/2007	Chiang	D12/173
D575,206 S *	8/2008	Shelby	D12/173
D575,207 S *	8/2008	Shelby	D12/173
D575,208 S *	8/2008	Shelby	D12/173
D619,062 S *	7/2010	Improta	D12/173
D623,100 S *	9/2010	Bimbi	D12/173
D739,317 S *	9/2015	McMahan	D12/173
D815,574 S *	4/2018	Mainville	D12/173
D823,753 S *	7/2018	Stone	D12/173
D863,157 S *	10/2019	Wilkins	D12/173

* cited by examiner

Primary Examiner — George D. Kirschbaum

Assistant Examiner — Joseph J Kukella

(74) *Attorney, Agent, or Firm* — McCarter & English, LLP

(57) **CLAIM**

The ornamental design for an automobile bonnet component, as shown and described.

DESCRIPTION

FIG. 1 is a perspective view of an automobile bonnet component showing my new design; FIG. 2 is a right side view thereof; FIG. 3 is a left side view thereof; FIG. 4 is a front view thereof; FIG. 5 is a rear view thereof; FIG. 6 is a top view thereof; and, FIG. 7 is a bottom view thereof.

1 Claim, 7 Drawing Sheets

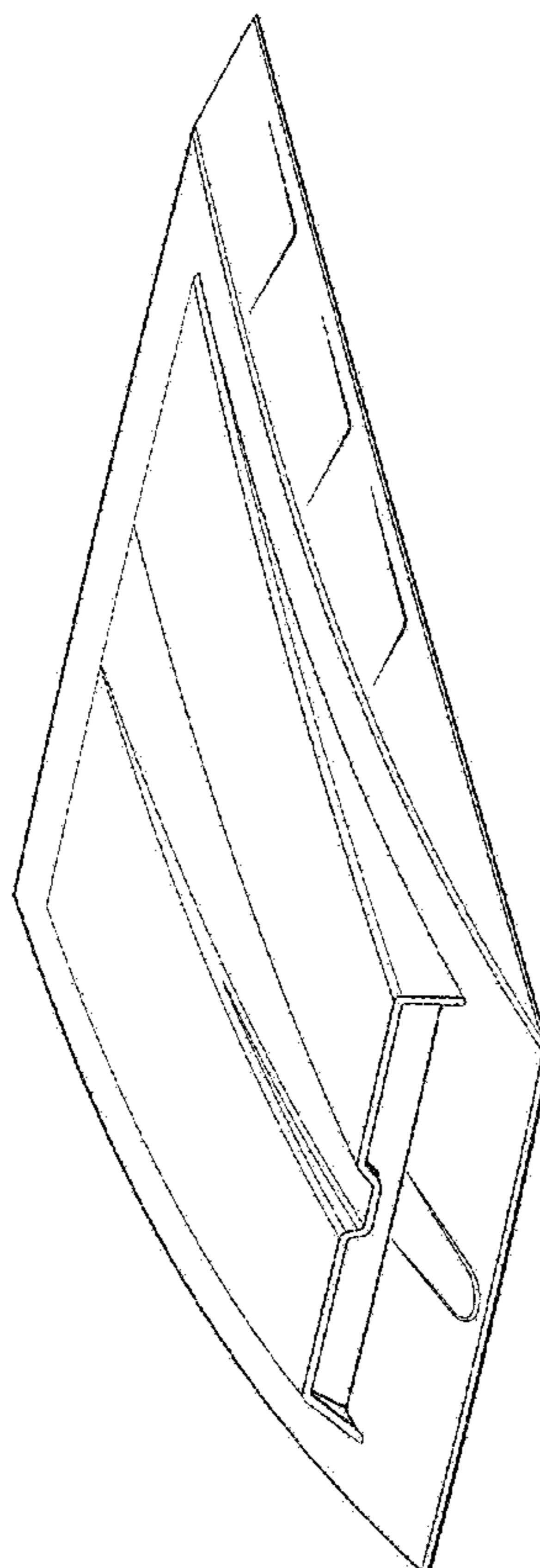


FIG. 1

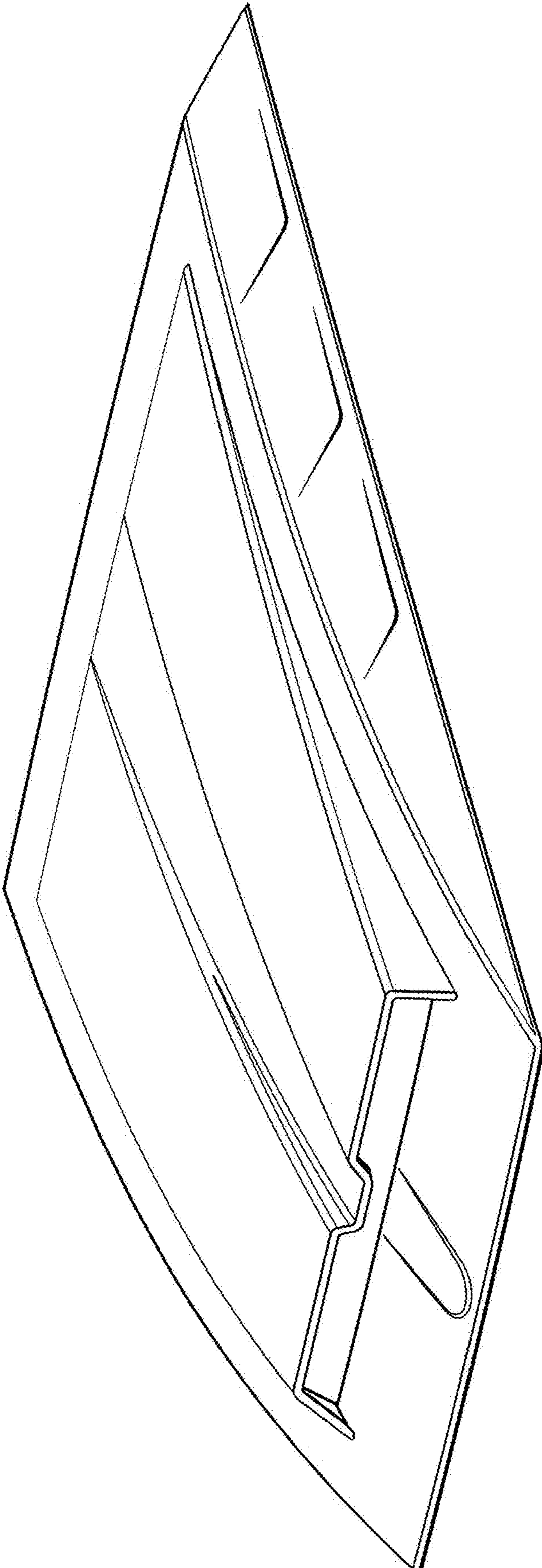


FIG. 2

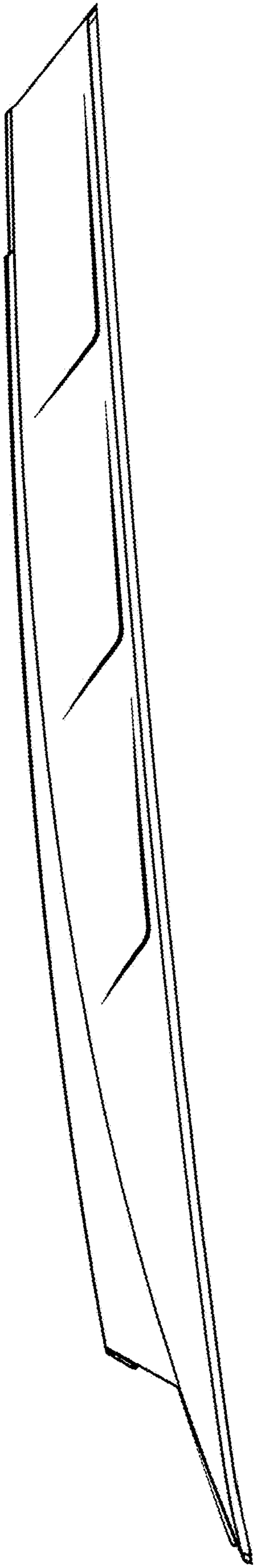


FIG. 3

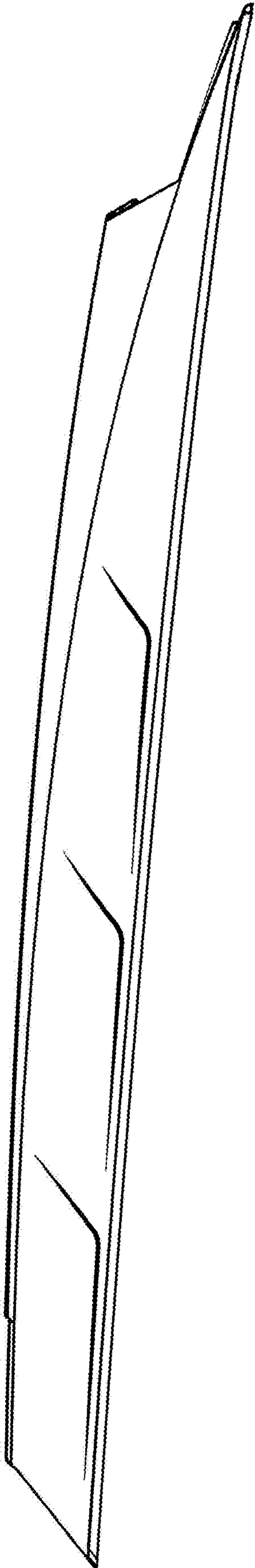


FIG. 4

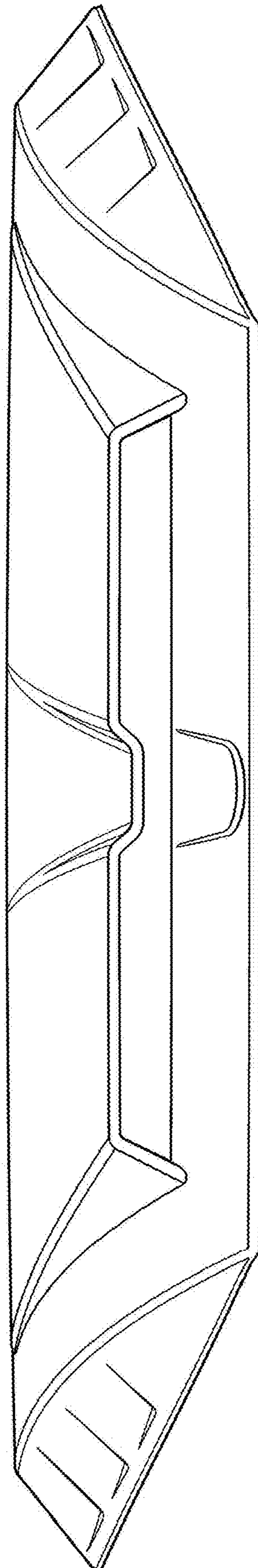


FIG. 5

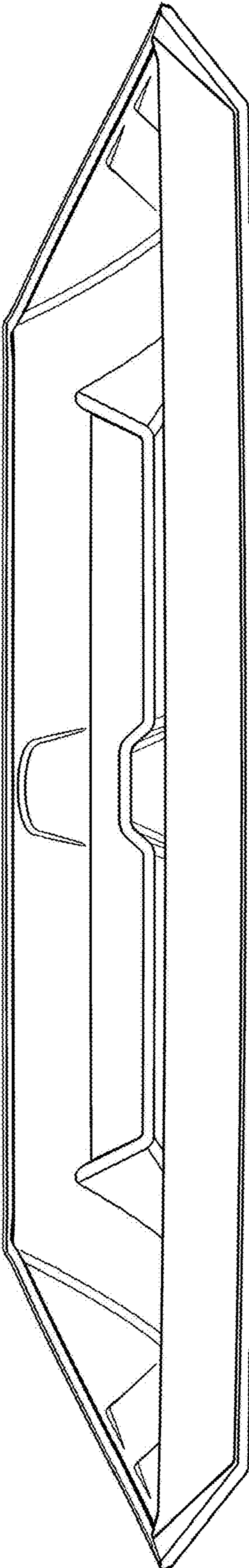


FIG. 6

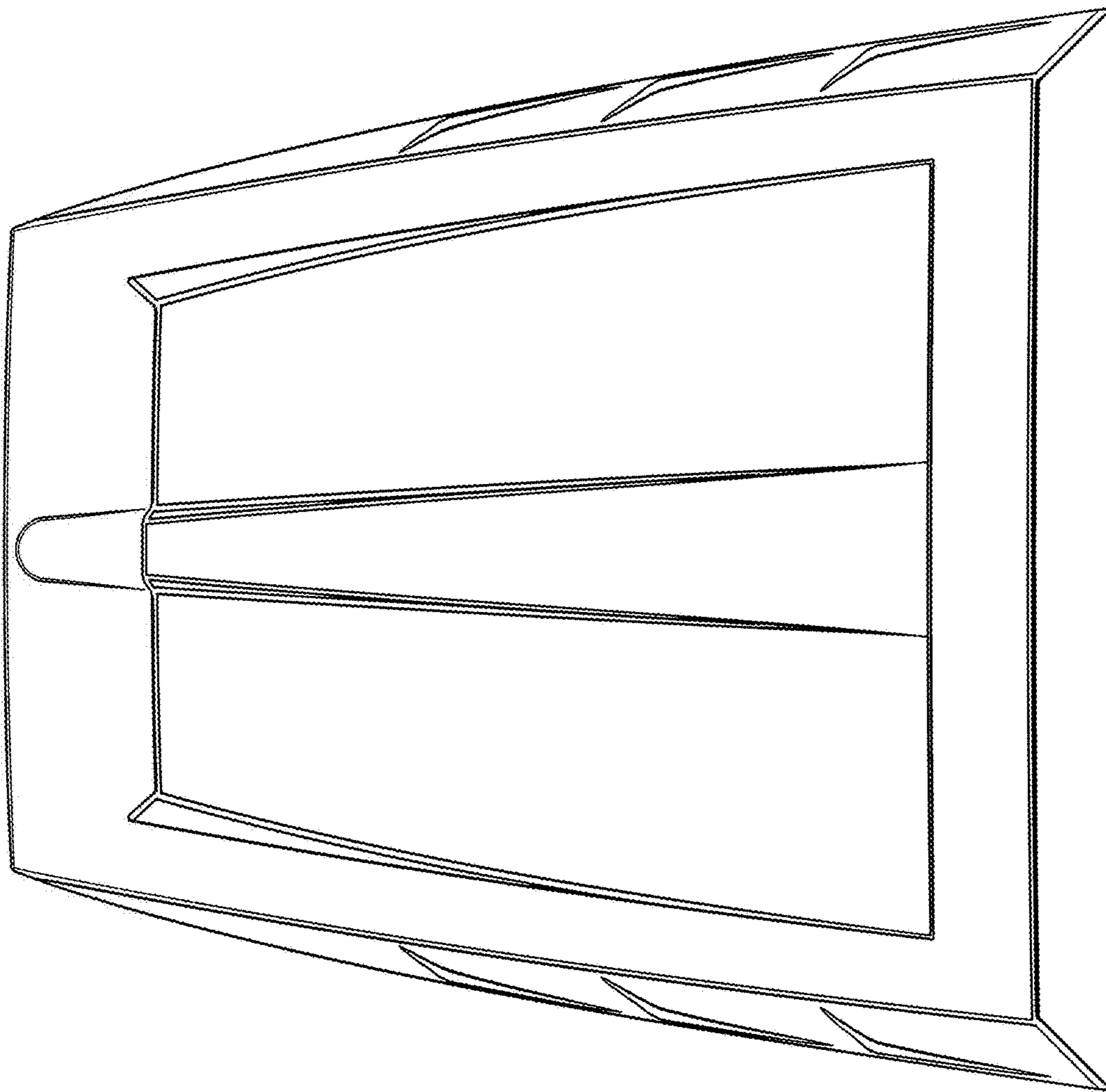
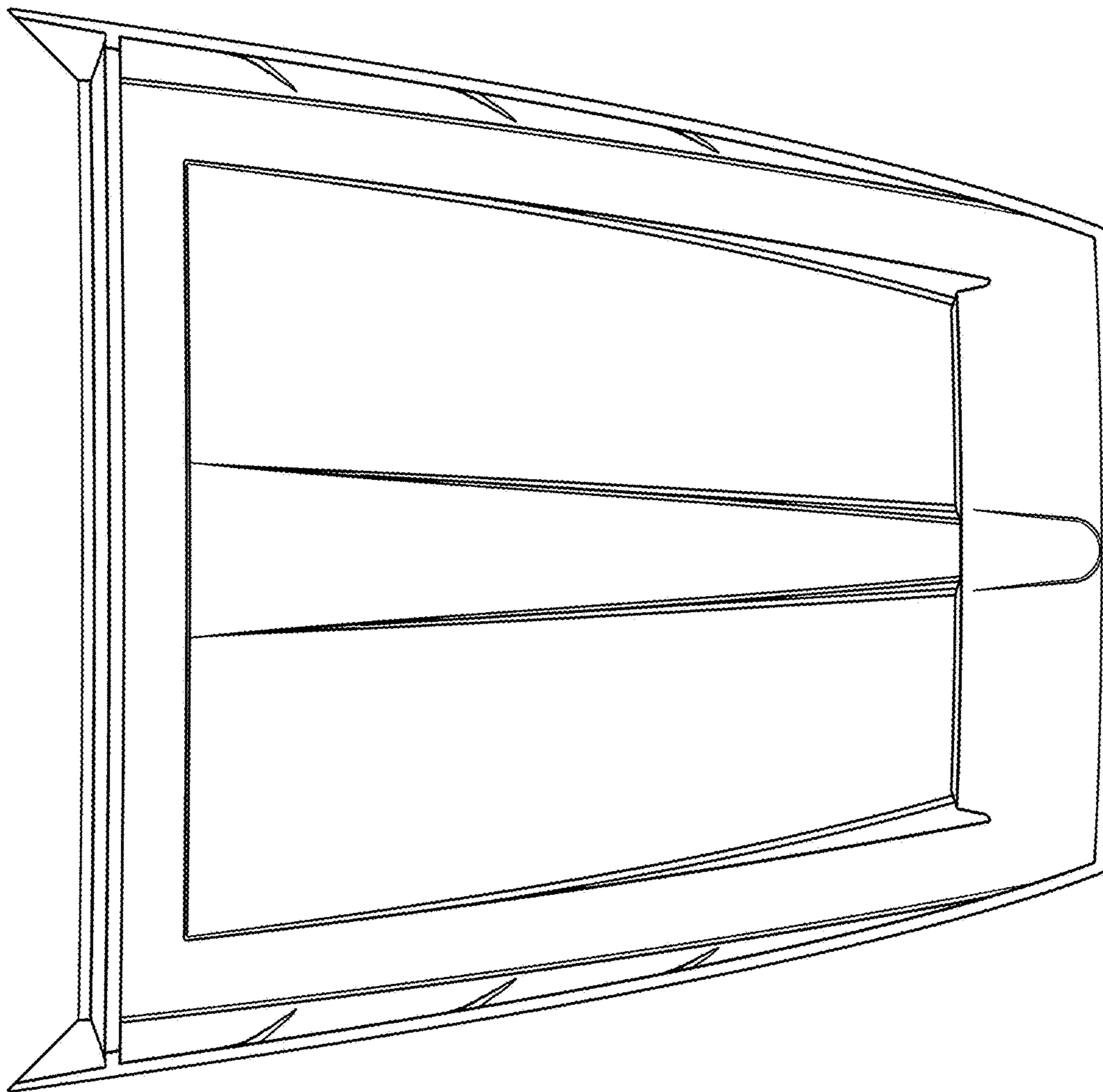


FIG. 7



UNITED STATES PATENT AND TRADEMARK OFFICE
CERTIFICATE OF CORRECTION

PATENT NO. : D890,044 S
APPLICATION NO. : 29/677323
DATED : July 14, 2020
INVENTOR(S) : Andreas Heinemann

Page 1 of 1

It is certified that error appears in the above-identified patent and that said Letters Patent is hereby corrected as shown below:

On the Title Page

Item (30):

The foreign priority claim to European Union Intellectual Property Office Application No. 005509569, filed on July 20, 2018, should be included.

Signed and Sealed this
Twentieth Day of June, 2023
Katherine Kelly Vidal

Katherine Kelly Vidal
Director of the United States Patent and Trademark Office