



US00D890041S

(12) **United States Design Patent** (10) **Patent No.:** **US D890,041 S**
Metros et al. (45) **Date of Patent:** **** Jul. 14, 2020**

(54) **VEHICLE FRONT LOWER VALANCE**
(71) Applicant: **Ford Global Technologies, LLC**,
Dearborn, MI (US)
(72) Inventors: **Craig Metros**, Bloomfield, MI (US);
George Bucher, Dearborn, MI (US);
James Grake, Beverly Hills, MI (US);
Andrew Bazinski, Amherstburg (CA);
Albert Kim, Northville, MI (US)

D771,534 S * 11/2016 Bucher D12/169
D800,621 S 10/2017 Bucher et al.
D823,190 S * 7/2018 Platto D12/169
D823,191 S * 7/2018 Platto D12/169
D826,108 S * 8/2018 Woodhouse D12/169
D845,187 S * 4/2019 Pinazzo D12/169
D846,457 S * 4/2019 Koo D12/169
D847,704 S * 5/2019 Zipfel D12/169
D847,705 S * 5/2019 Zipfel D12/169
D874,992 S * 2/2020 Park D12/169
D874,993 S * 2/2020 Park D12/169
D875,622 S * 2/2020 Park D12/169
D877,007 S * 3/2020 Zipfel D12/169

(73) Assignee: **Ford Global Technologies, LLC**,
Dearborn, MI (US)

FOREIGN PATENT DOCUMENTS

(**) Term: **15 Years**

DE 10201600238.5 4/2016

* cited by examiner

(21) Appl. No.: **29/685,377**

Primary Examiner — Melody N Brown

(22) Filed: **Mar. 28, 2019**

(74) *Attorney, Agent, or Firm* — Vichit Chea

(51) **LOC (12) Cl.** **12-16**

(52) **U.S. Cl.**
USPC **D12/169**

(57) **CLAIM**

The ornamental design for a vehicle front lower valance, as shown and described.

(58) **Field of Classification Search**
USPC D12/169, 196, 86, 90-92, 163, 190, 98,
D12/164; 293/102, 113, 115, 117, 120,
293/193.11; 296/180.1, 180.2; 180/68.1,
180/68.6
CPC B60R 19/52; B60K 11/08; B62D 25/08;
B62B 9/16
See application file for complete search history.

DESCRIPTION

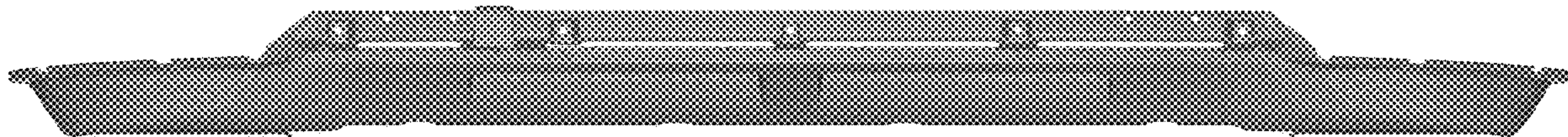
FIG. 1 is a front elevational view of a vehicle front lower valance, showing our new design;
FIG. 2 is a left side elevational view thereof;
FIG. 3 is a right side elevational view thereof;
FIG. 4 is a top plan view thereof;
FIG. 5 is a bottom plan view thereof;
FIG. 6 is a bottom, front and left side perspective view thereof; and,
FIG. 7 is a top, front and left side perspective view thereof.

(56) **References Cited**

U.S. PATENT DOCUMENTS

D580,319 S 11/2008 Gueler et al.
D644,970 S 9/2011 Messale

1 Claim, 7 Drawing Sheets



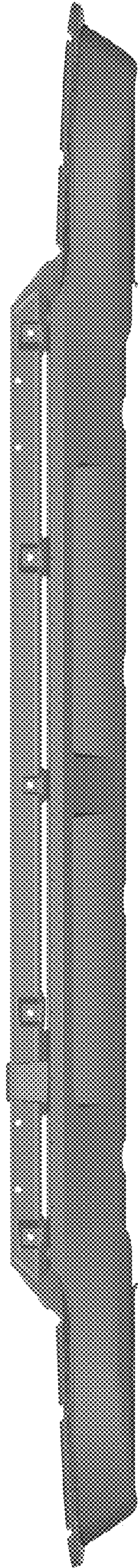


Fig. 1



Fig. 2

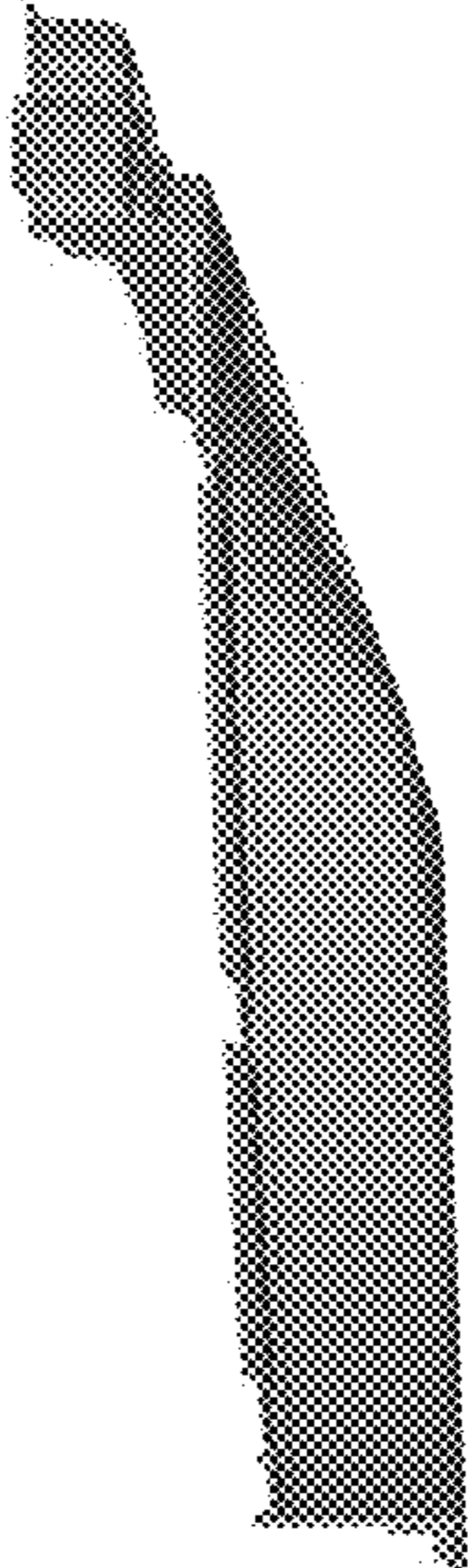


Fig. 3

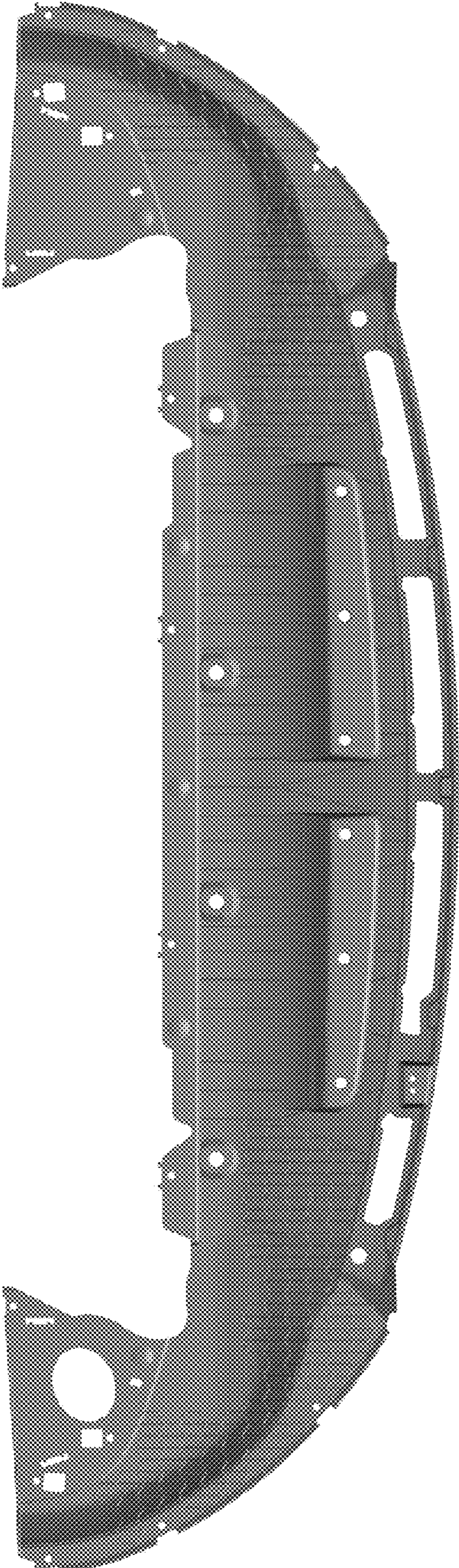


Fig.4

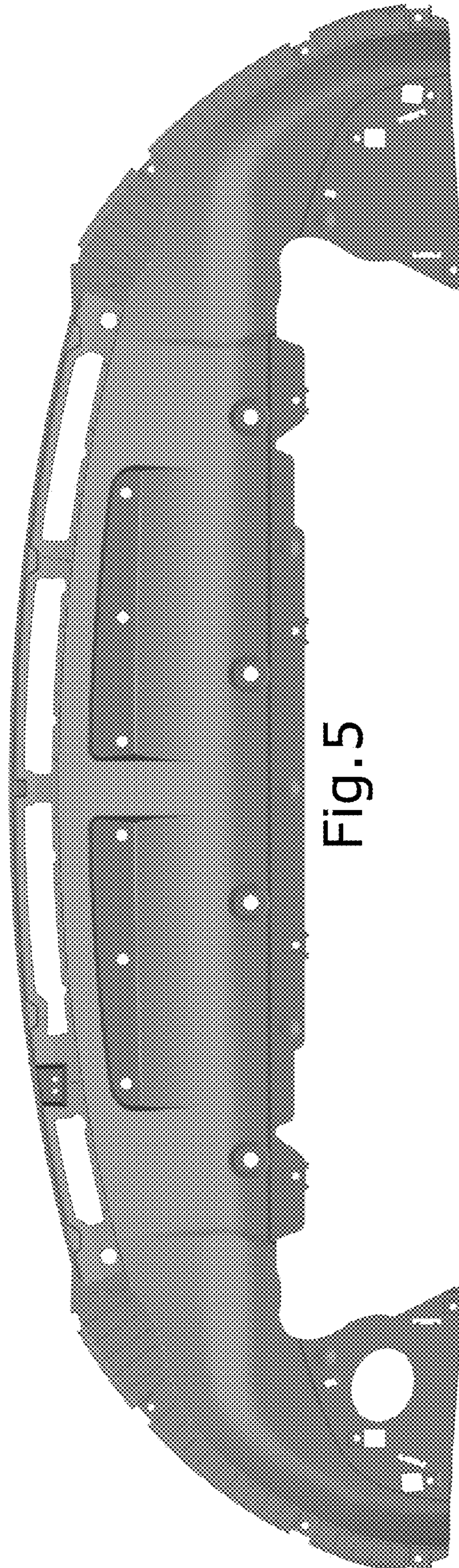


Fig. 5

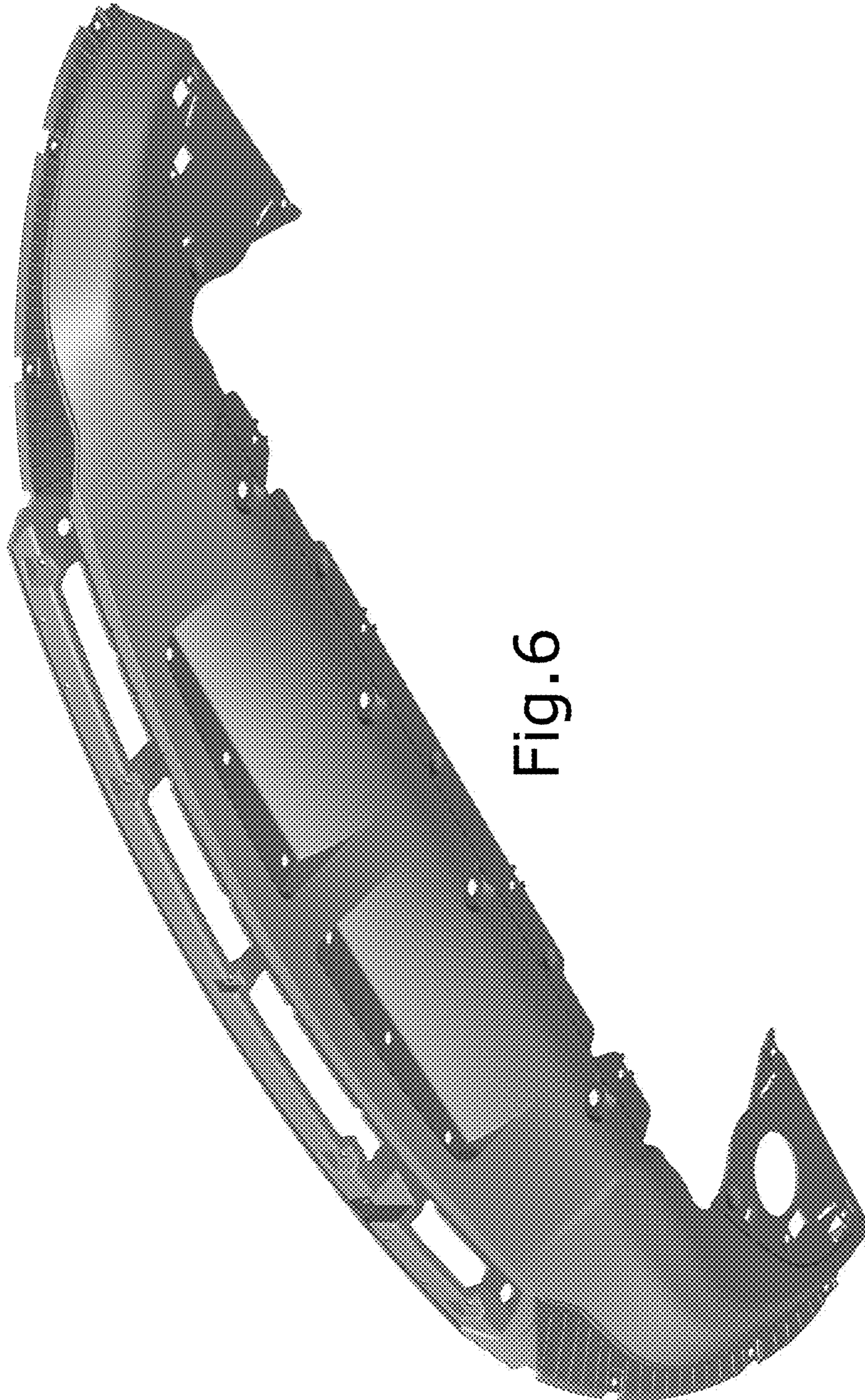


Fig.6

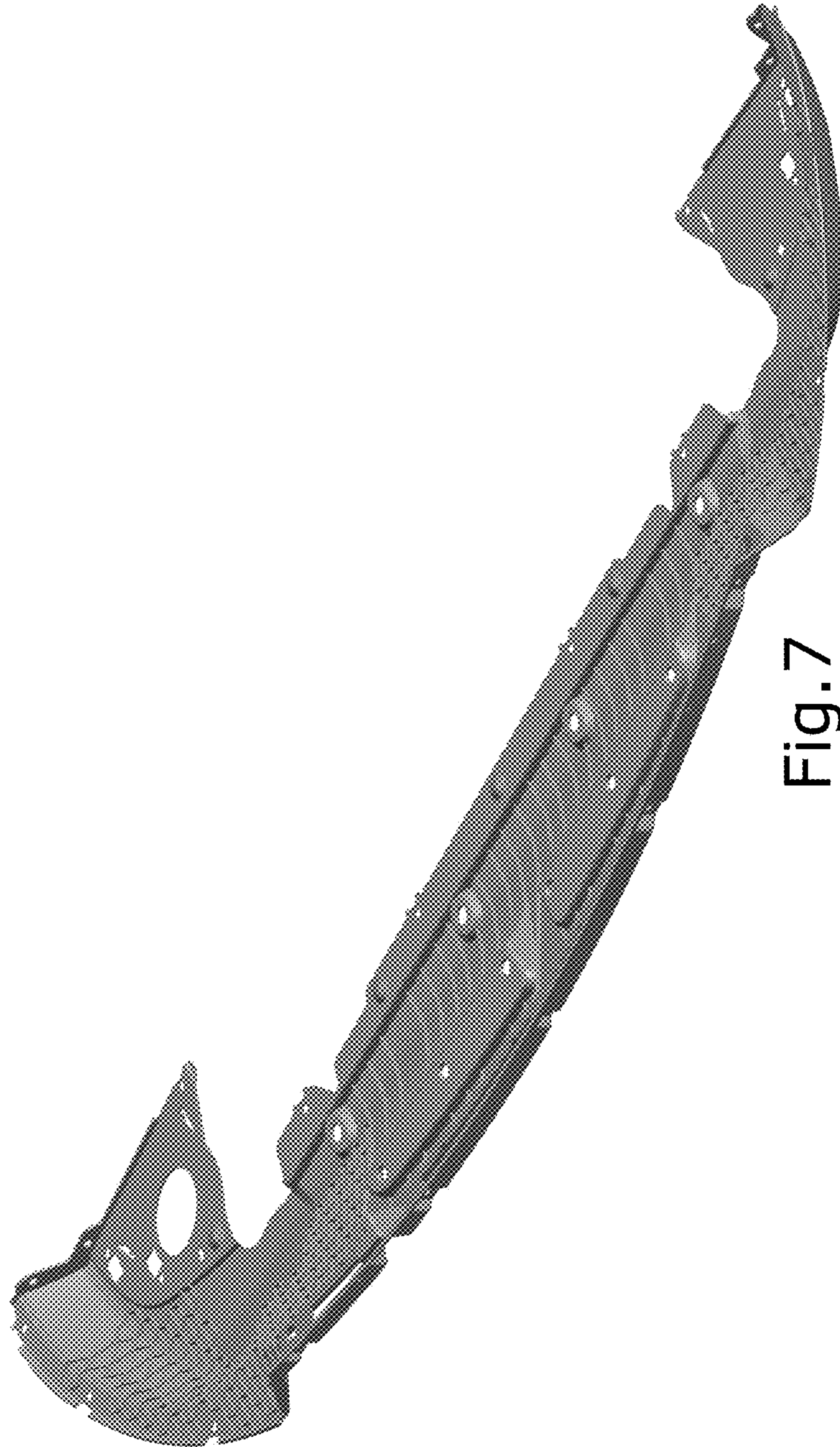


Fig. 7