



US00D890036S

(12) **United States Design Patent**
Marshall et al.

(10) **Patent No.:** **US D890,036 S**

(45) **Date of Patent:** **** Jul. 14, 2020**

(54) **VEHICLE FRONT BUMPER**

(71) Applicants: **Chad Marshall**, Lakeland, FL (US);
Everson Fortes Silva, Tampa, FL (US)

(72) Inventors: **Chad Marshall**, Lakeland, FL (US);
Everson Fortes Silva, Tampa, FL (US)

(73) Assignee: **Chad Marshall**, Mulberry, FL (US)

(**) Term: **15 Years**

(21) Appl. No.: **29/669,587**

(22) Filed: **Nov. 9, 2018**

(51) **LOC (12) Cl.** **12-16**

(52) **U.S. Cl.**
USPC **D12/169**

(58) **Field of Classification Search**
USPC D12/169, 164, 196, 171, 163, 86, 90-92;
293/102, 113, 115, 117, 120; 296/180.1,
296/180.2
CPC B60R 19/02; B60R 19/04; B62D 25/08
See application file for complete search history.

(56) **References Cited**

U.S. PATENT DOCUMENTS

D793,305 S * 8/2017 McMath D12/169
D795,142 S * 8/2017 McMath D12/169

D814,984 S * 4/2018 Wymore D12/169
D832,161 S * 10/2018 Kobayashi D12/171
D847,051 S * 4/2019 DiCanzio D12/171
D879,685 S * 3/2020 Bennett D12/171
D879,686 S * 3/2020 Marshall D12/171

* cited by examiner

Primary Examiner — Melody N Brown

(74) *Attorney, Agent, or Firm* — Chad Marshall

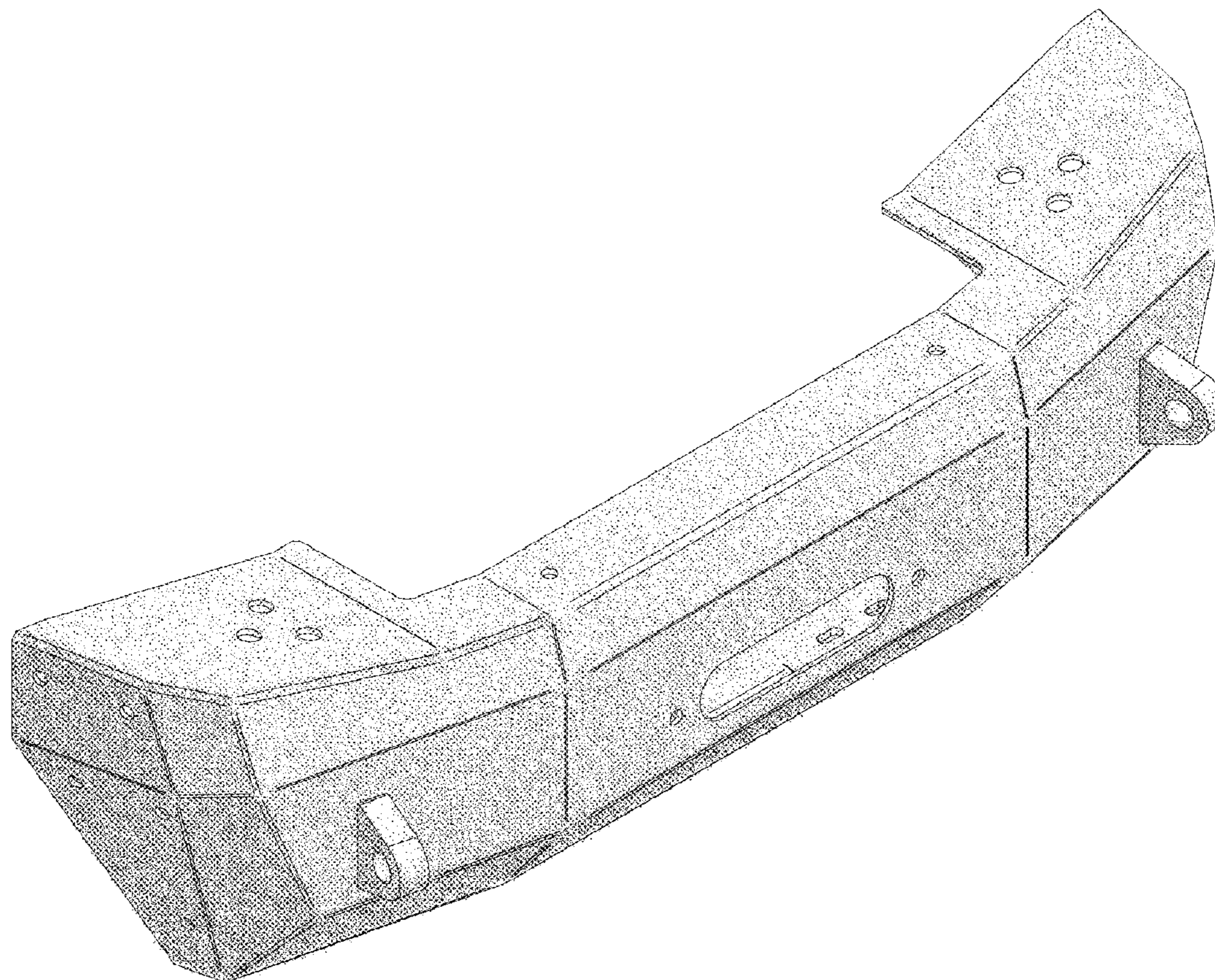
(57) **CLAIM**

The ornamental design for a vehicle front bumper, as shown and described.

DESCRIPTION

FIG. 1 is a top, front perspective view of a vehicle front bumper showing my new design;
FIG. 2 is a bottom, front perspective view thereof;
FIG. 3 is a front elevational view thereof;
FIG. 4 is a rear elevational view thereof;
FIG. 5 is a top plan view thereof;
FIG. 6 is a bottom plan view thereof;
FIG. 7 is a left side elevational view thereof; and,
FIG. 8 is a right side elevational view thereof.

1 Claim, 7 Drawing Sheets



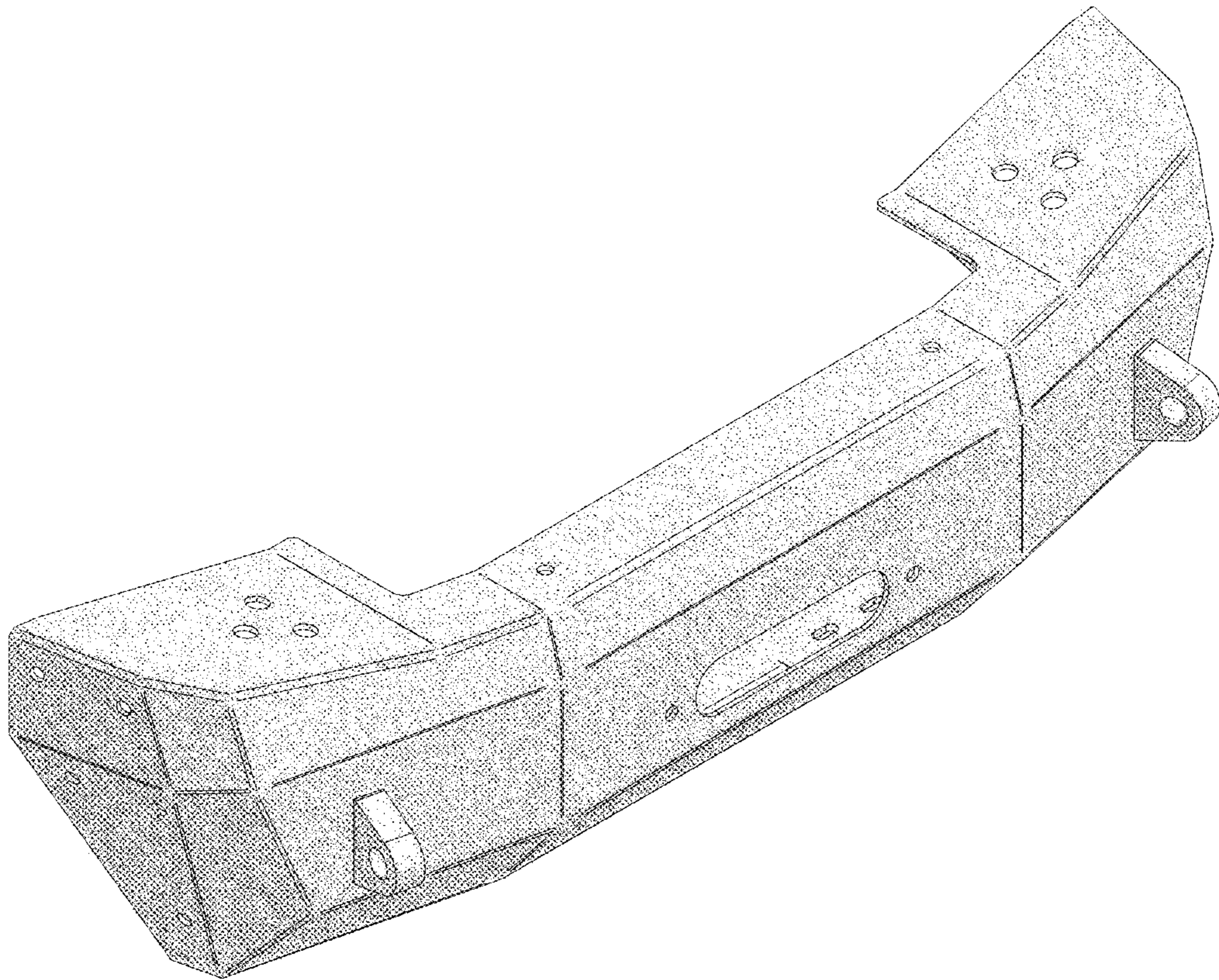


FIG. 1

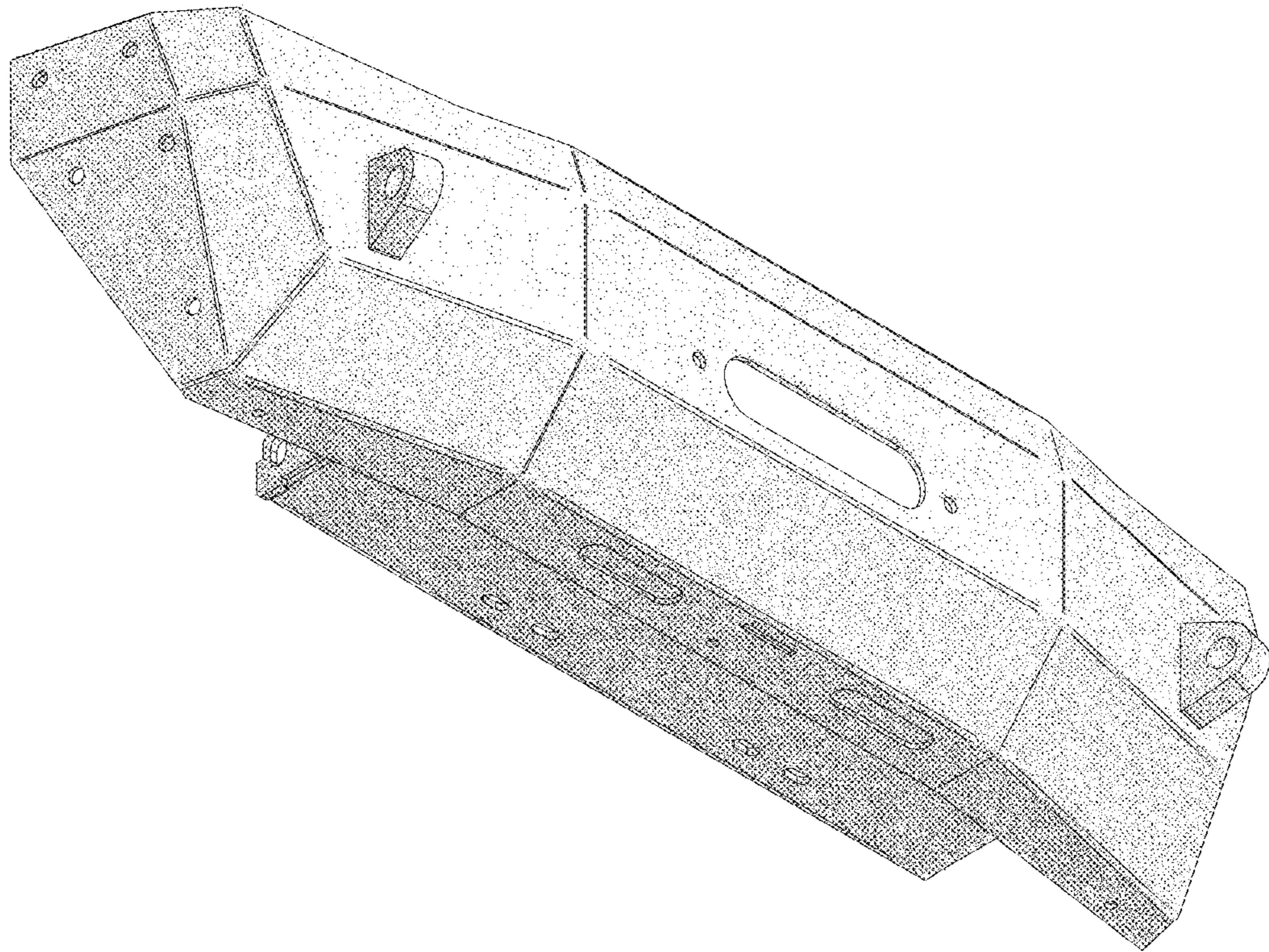


FIG. 2

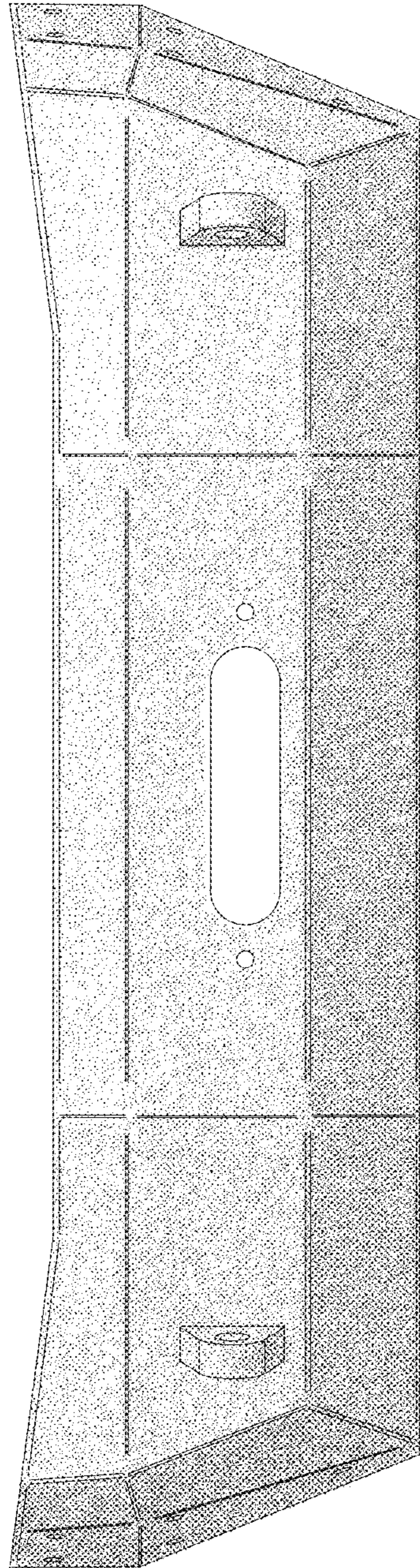


FIG. 3

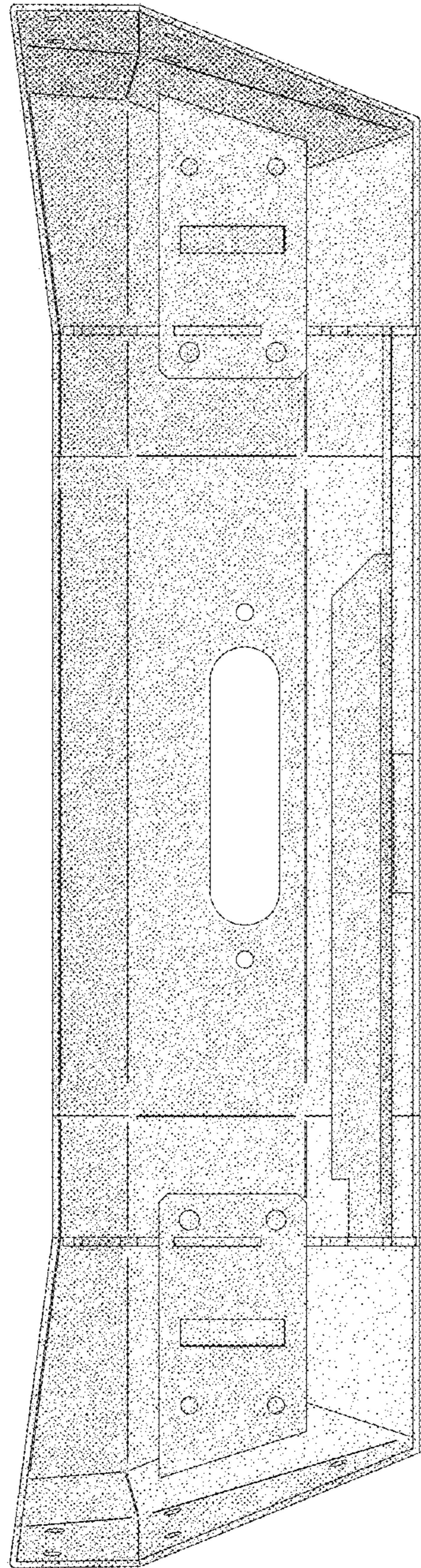


FIG. 4

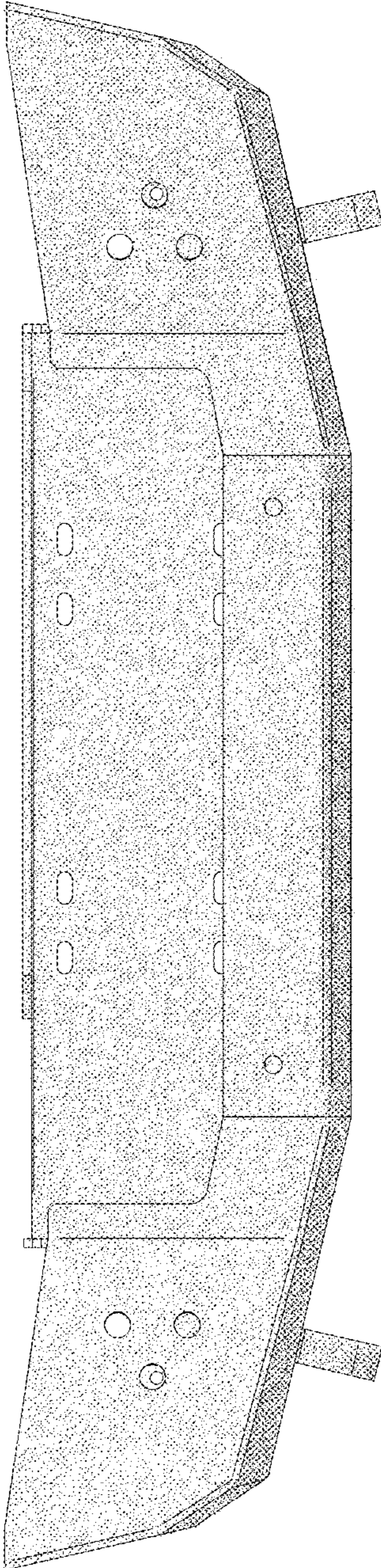


FIG. 5

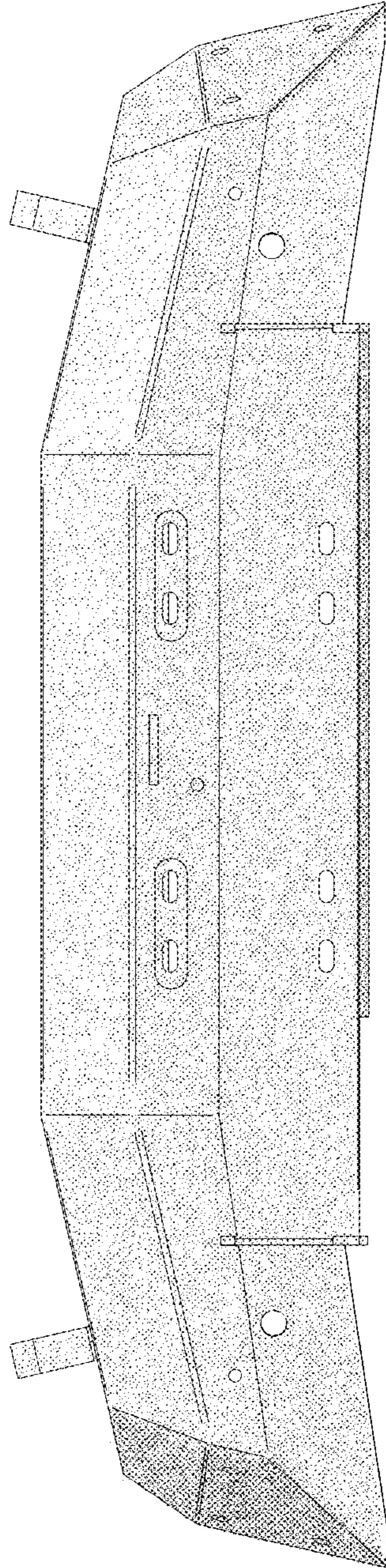


FIG. 6

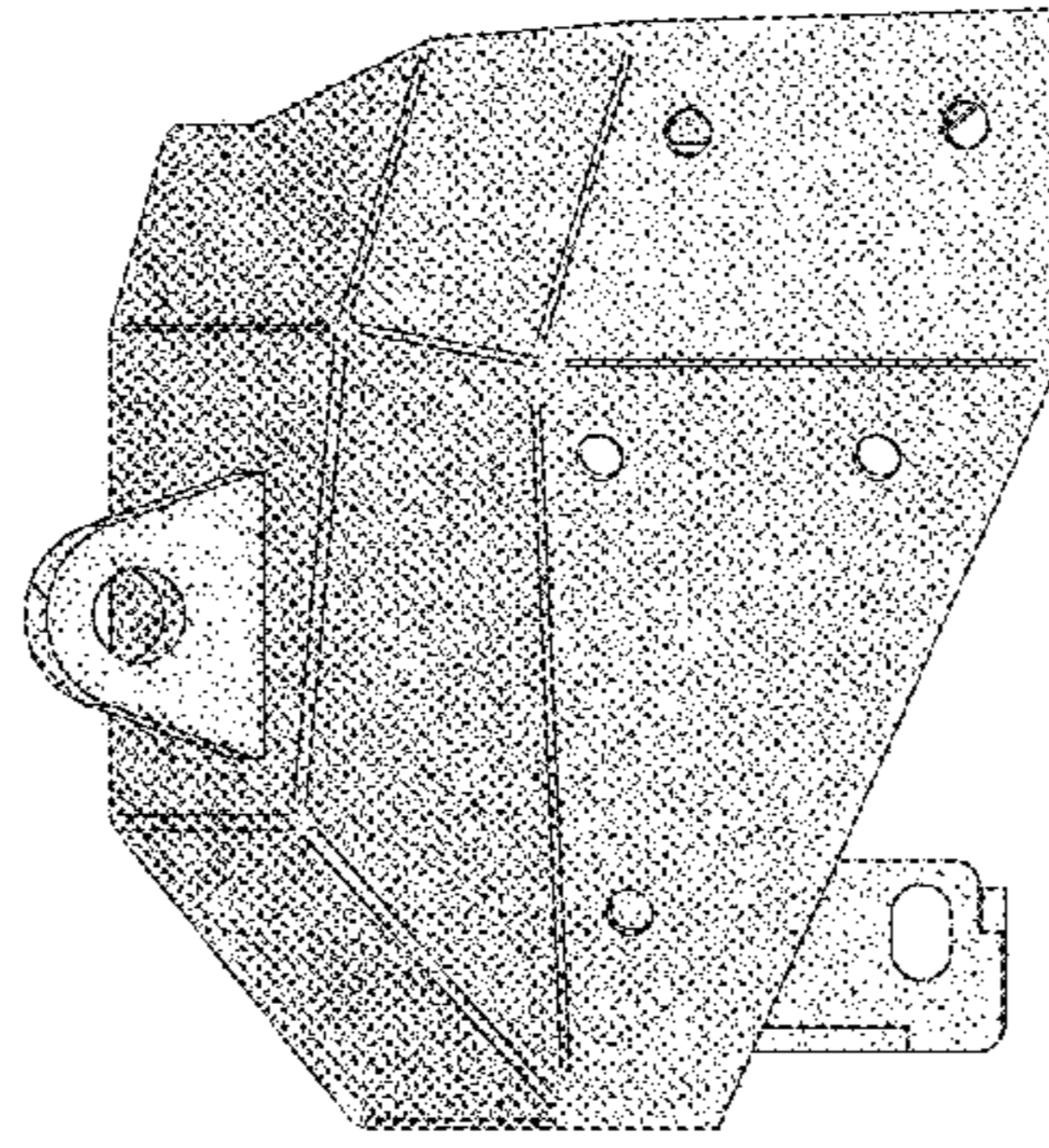


FIG. 7

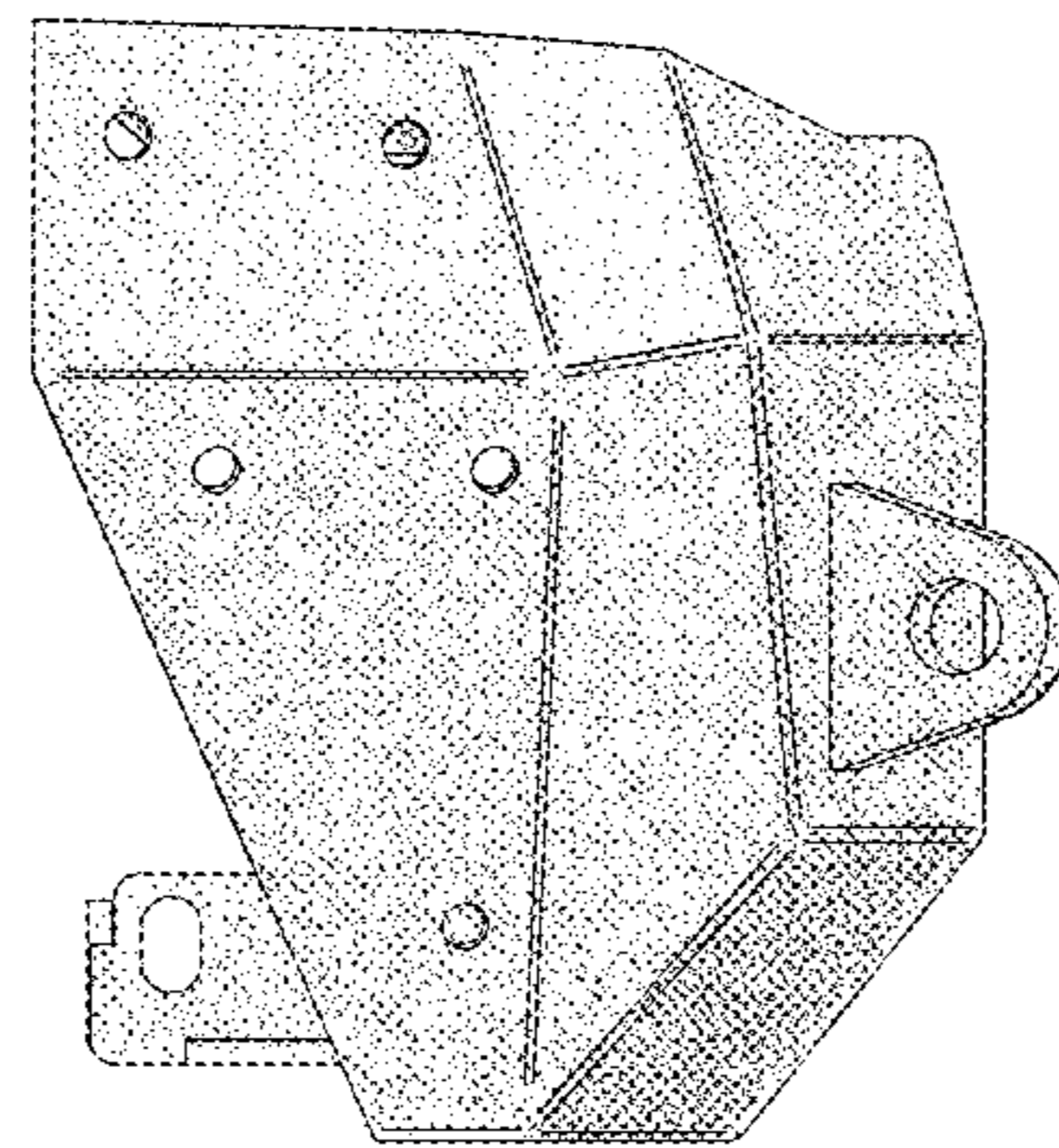


FIG. 8