



US00D890033S

(12) **United States Design Patent** (10) **Patent No.:** **US D890,033 S**  
**Carducci et al.** (45) **Date of Patent:** **\*\* Jul. 14, 2020**

(54) **MOTORCYCLE**  
(71) Applicant: **Carducci Dual Sport, LLC.,**  
Sunnyvale, CA (US)  
(72) Inventors: **James D. Carducci, Sunnyvale, CA**  
(US); **Sherry Cordova, Sunnyvale, CA**  
(US)  
(73) Assignee: **CARDUCCI DUAL SPORT, LLC.,**  
Carducci Dual Sport, CA (US)

D544,816 S \* 6/2007 Davidson ..... D12/110  
D550,591 S \* 9/2007 Mugikura ..... D12/110  
D567,148 S \* 4/2008 Inose ..... D12/110  
D582,318 S \* 12/2008 Kishi ..... D12/110  
D588,503 S \* 3/2009 Idei ..... D12/110  
D597,892 S \* 8/2009 Andoh ..... D12/110  
D605,087 S \* 12/2009 Wong ..... D12/110  
D610,044 S \* 2/2010 Sugimoto ..... D12/110  
D637,523 S \* 5/2011 Sugimoto ..... D12/110  
D683,270 S \* 5/2013 Song ..... D12/110  
D694,154 S \* 11/2013 Arru ..... D12/110  
D766,135 S \* 9/2016 Davidson ..... D12/110  
9,902,450 B2 \* 2/2018 Ishii ..... B62J 6/02  
10,377,439 B2 \* 8/2019 Nakamura ..... B60T 8/3685

(\*\*) Term: **15 Years**

\* cited by examiner

(21) Appl. No.: **29/670,438**

*Primary Examiner* — Darlington Ly

(22) Filed: **Nov. 15, 2018**

(74) *Attorney, Agent, or Firm* — Patterson & Sheridan,  
LLP

(51) **LOC (12) Cl.** ..... **12-11**

(52) **U.S. Cl.**  
USPC ..... **D12/110**

(57) **CLAIM**

(58) **Field of Classification Search**  
USPC ..... D12/110, 111, 117; D21/432, 538  
CPC ..... B62K 11/00; B62K 11/02; B62K 11/04;  
B62K 11/10; B62K 17/00; B62K 19/00;  
B62K 2202/00  
See application file for complete search history.

The ornamental design for a motorcycle, as shown and described.

**DESCRIPTION**

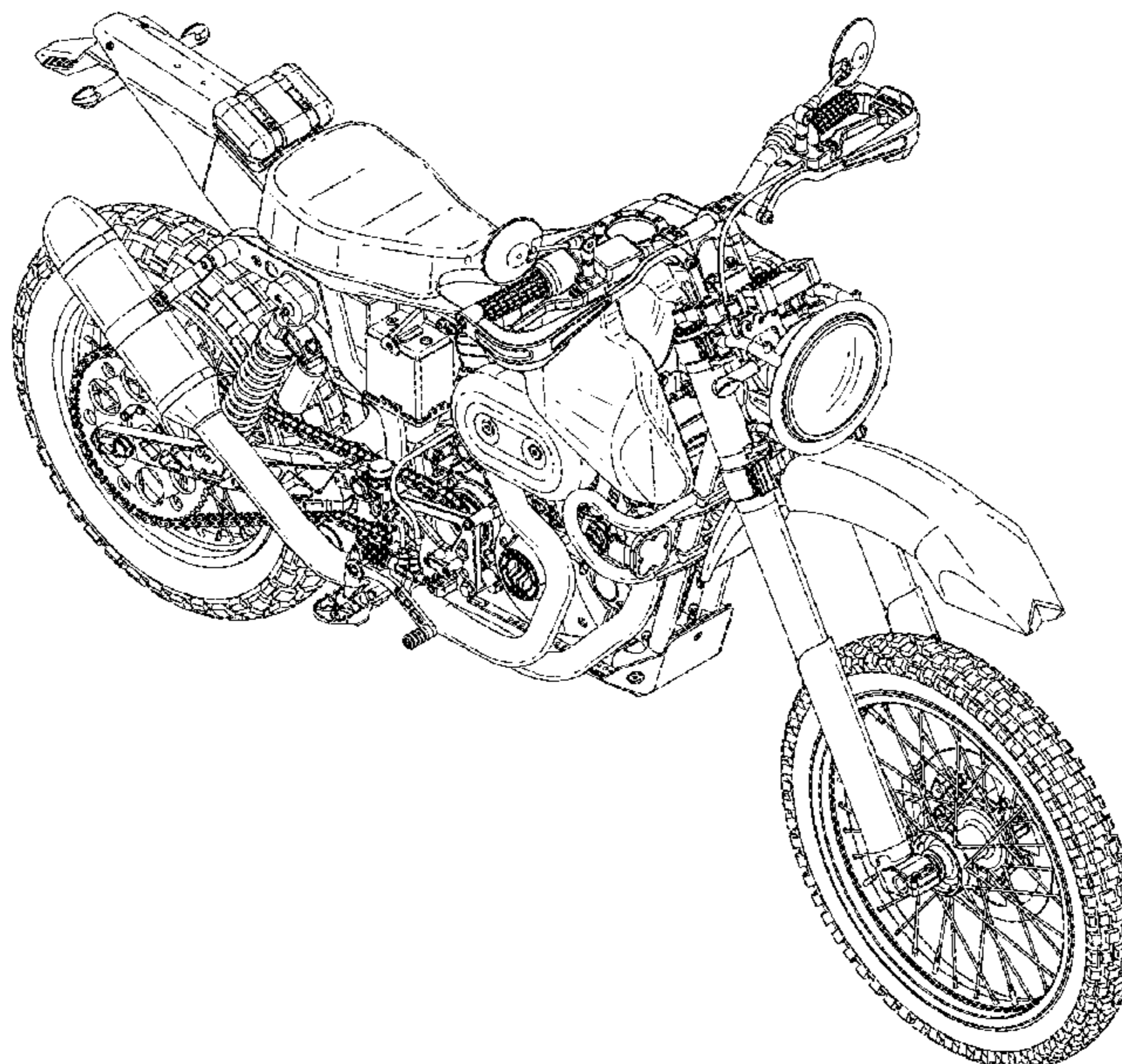
(56) **References Cited**

**U.S. PATENT DOCUMENTS**

D442,521 S \* 5/2001 Pan ..... D12/110  
D456,748 S \* 5/2002 Keating ..... D12/110  
D462,638 S \* 9/2002 Davidson ..... D12/110  
D470,799 S \* 2/2003 Yamaguchi ..... D12/110  
D482,640 S \* 11/2003 TaMuRa ..... D12/110  
D504,640 S \* 5/2005 Conte ..... D12/110  
D506,163 S \* 6/2005 Uemoto ..... D12/110  
D511,718 S \* 11/2005 Manchester ..... D12/110  
D517,957 S \* 3/2006 Savage ..... D12/110  
D524,192 S \* 7/2006 Sugimoto ..... D12/110  
D525,919 S \* 8/2006 Sugimoto ..... D12/110  
D528,045 S \* 9/2006 Yin ..... D12/110

FIG. 1 is a front and right side perspective view of a motorcycle showing our new design;  
FIG. 2 is a rear and right side rear perspective view thereof;  
FIG. 3 is a front and left side perspective view thereof;  
FIG. 4 is a right side elevation view thereof;  
FIG. 5 is a left side elevation view thereof;  
FIG. 6 is a front elevation view thereof;  
FIG. 7 is a rear elevation view thereof;  
FIG. 8 is a top plan view thereof;  
FIG. 9 is a bottom plan view thereof;  
FIG. 10 is a front and right bottom side perspective view thereof; and,  
FIG. 11 is a rear and right bottom side perspective view thereof.

**1 Claim, 10 Drawing Sheets**



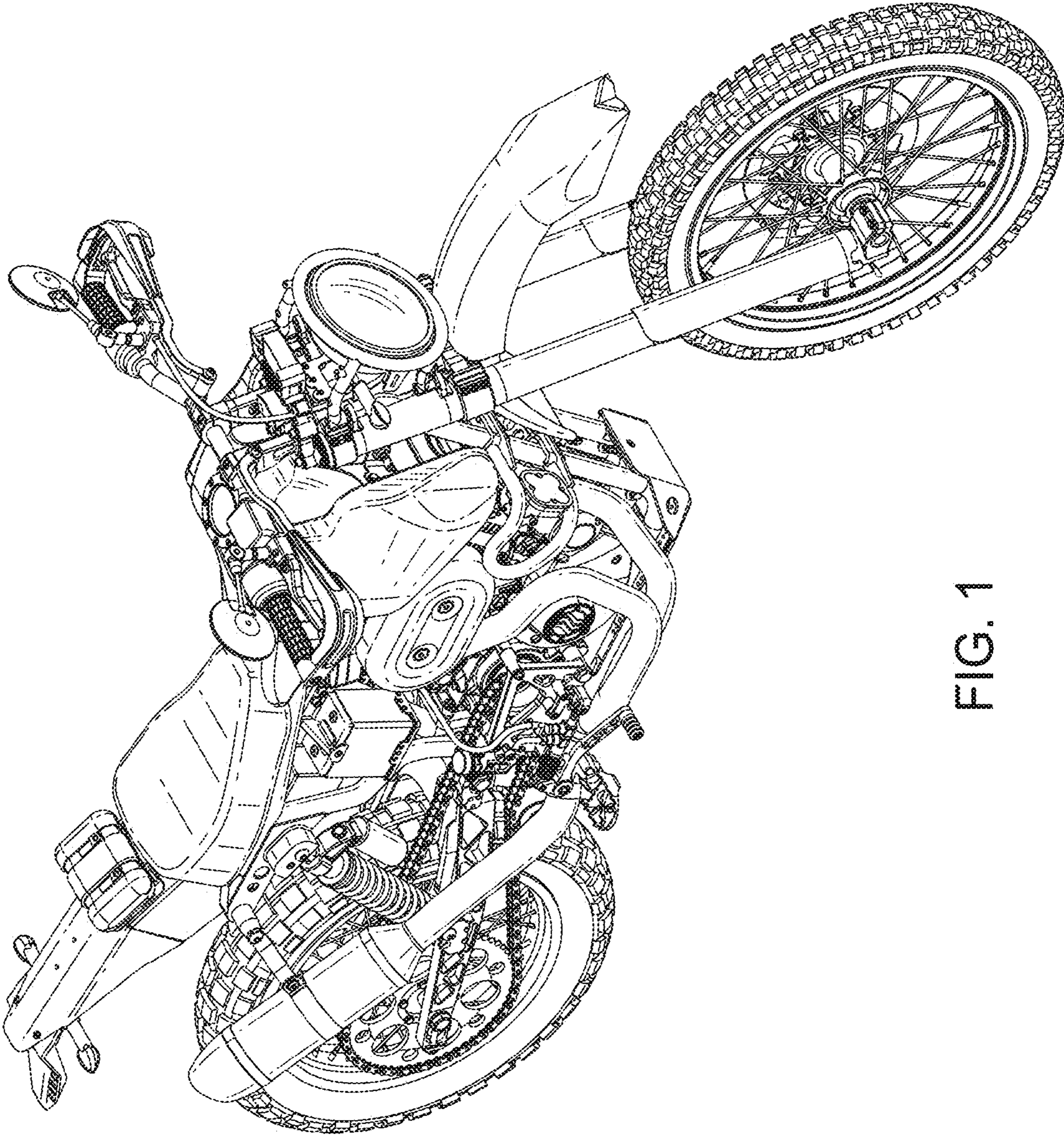


FIG. 1

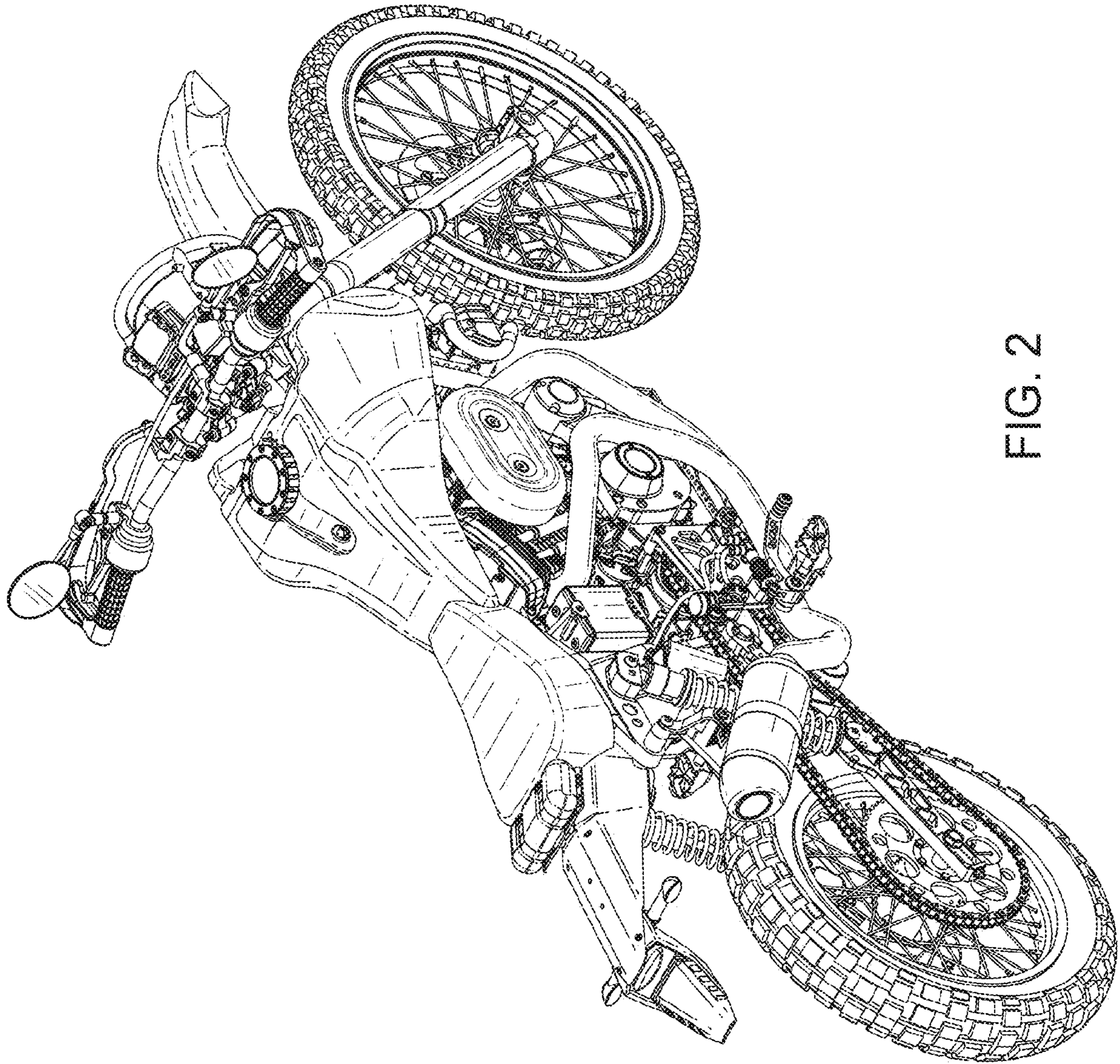


FIG. 2

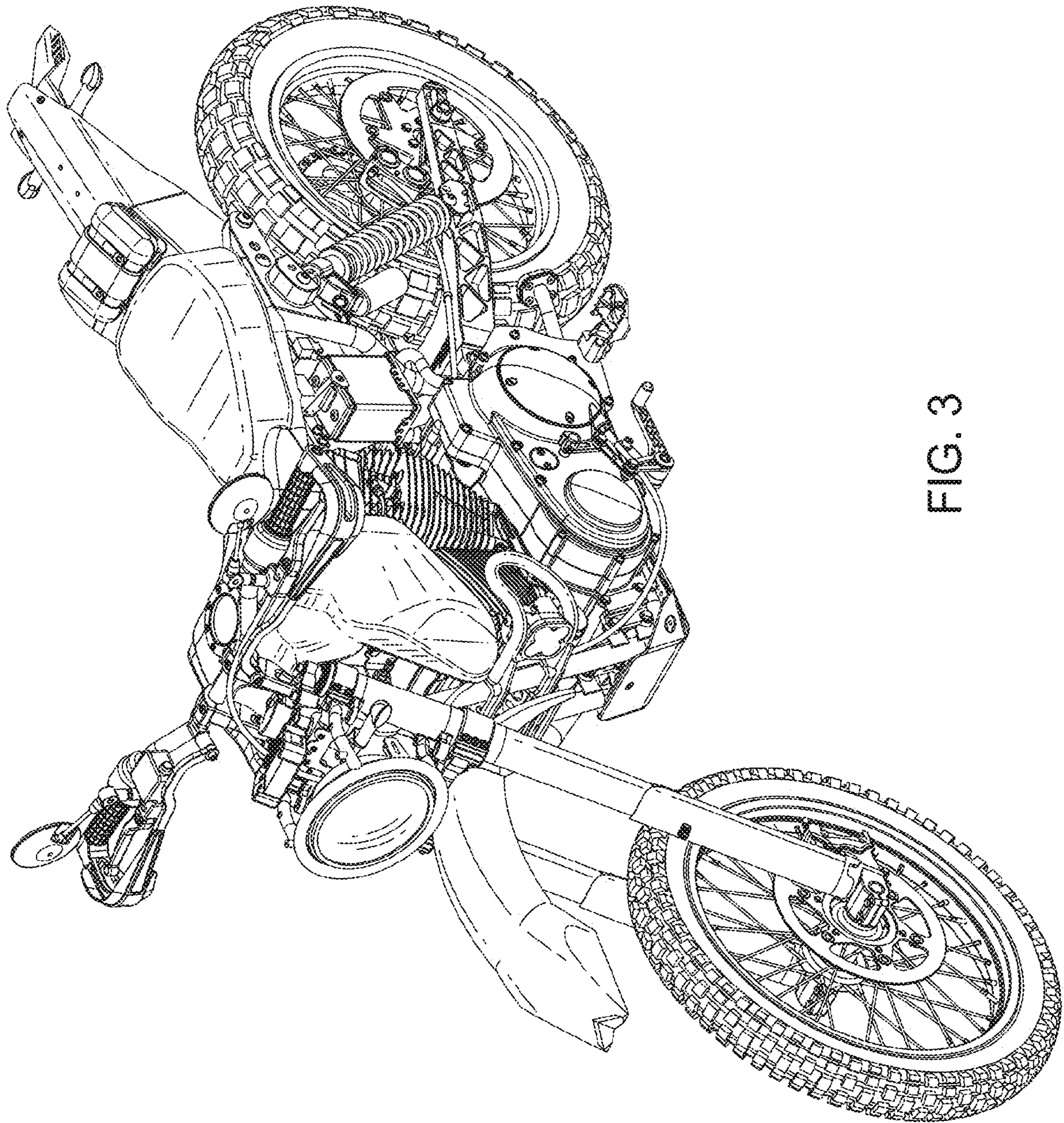


FIG. 3

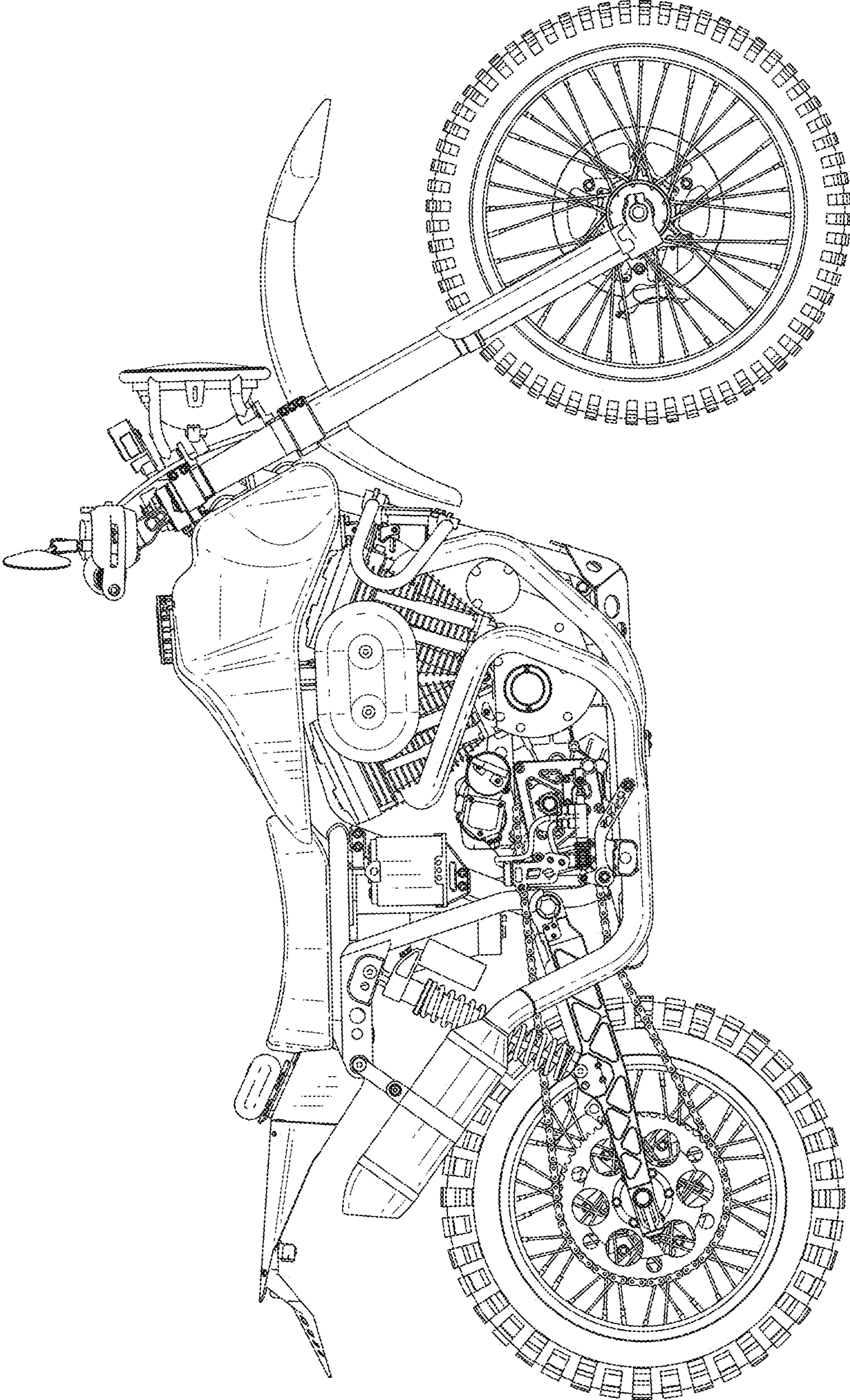


FIG. 4

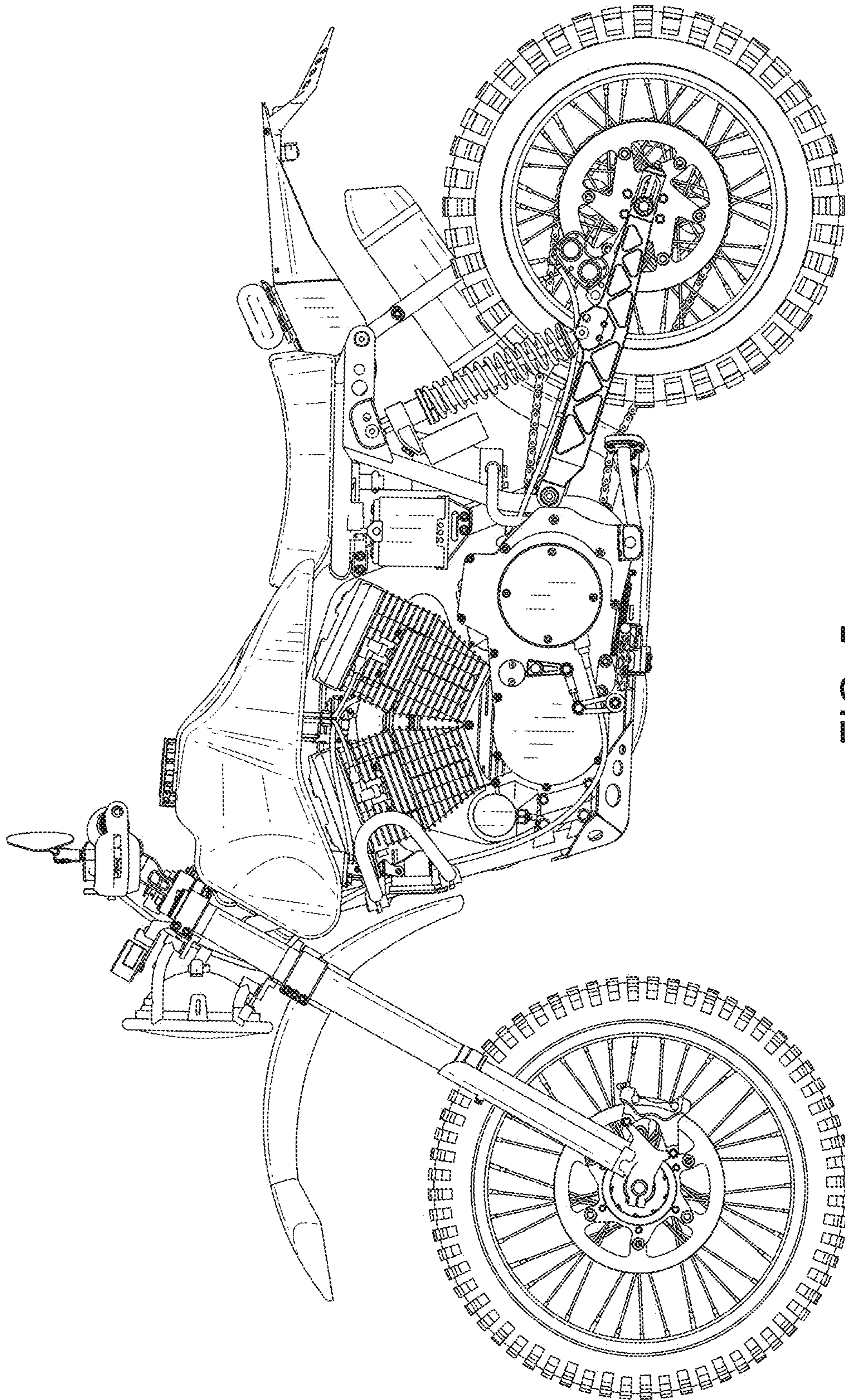


FIG. 5

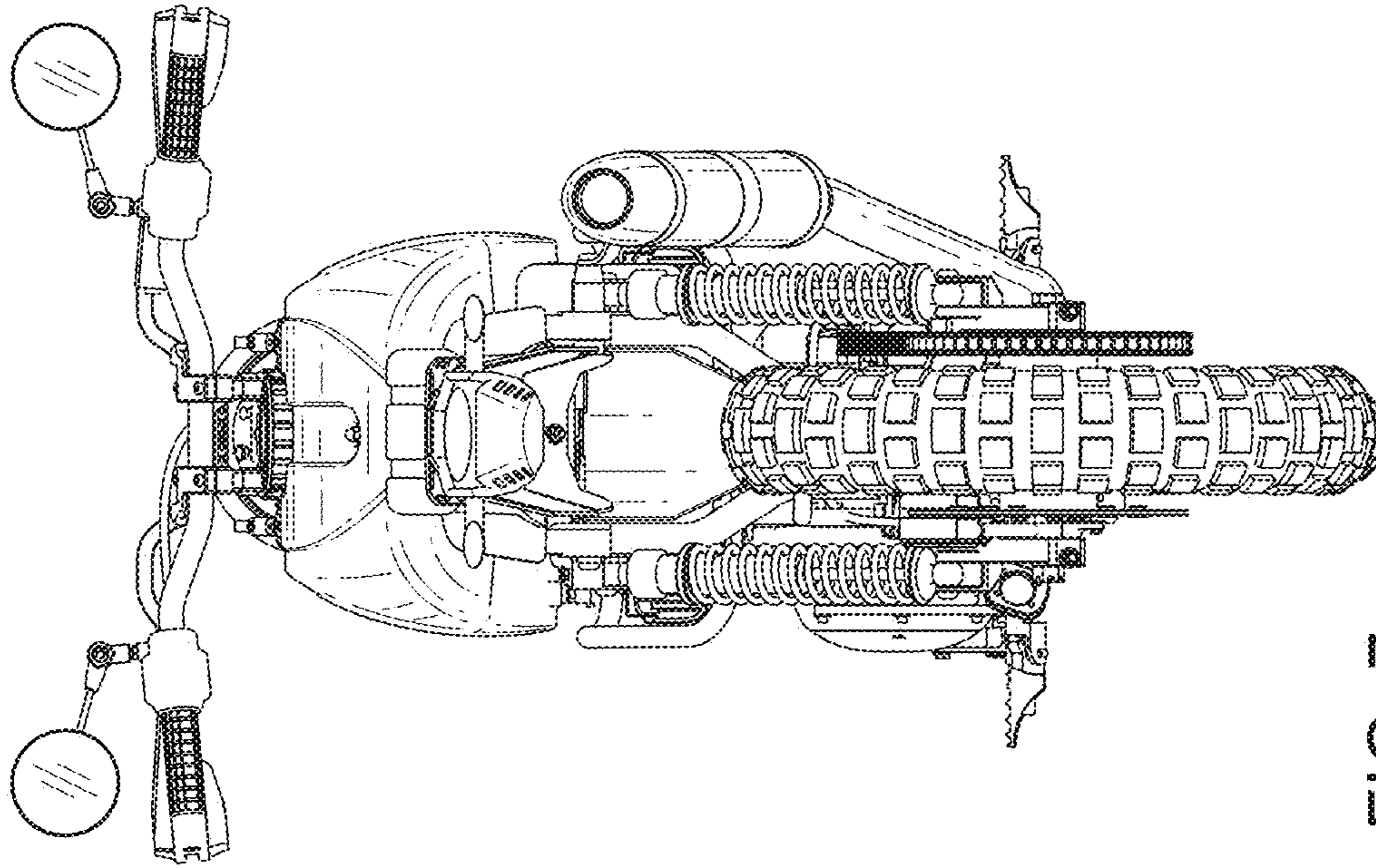


FIG. 7

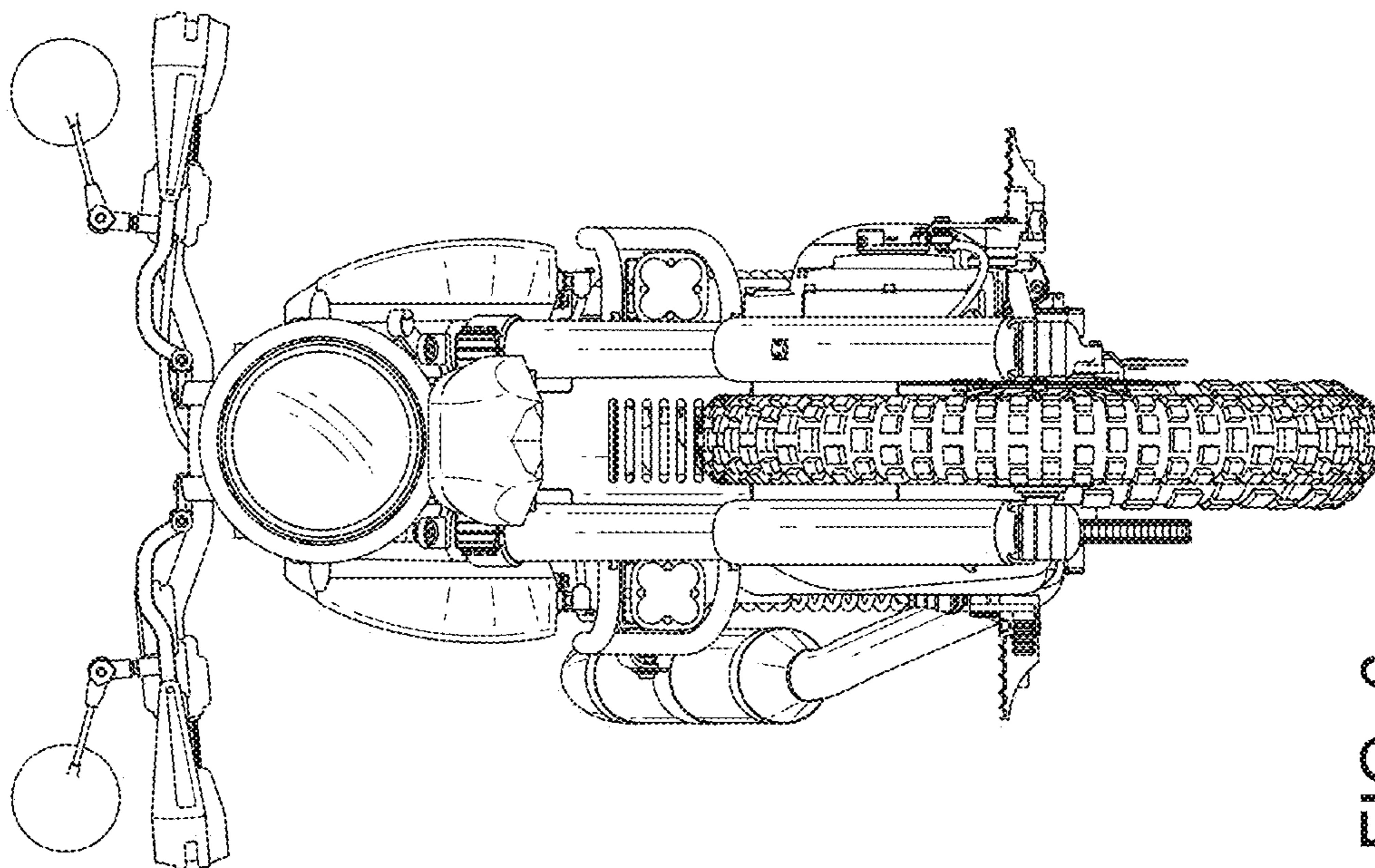


FIG. 6

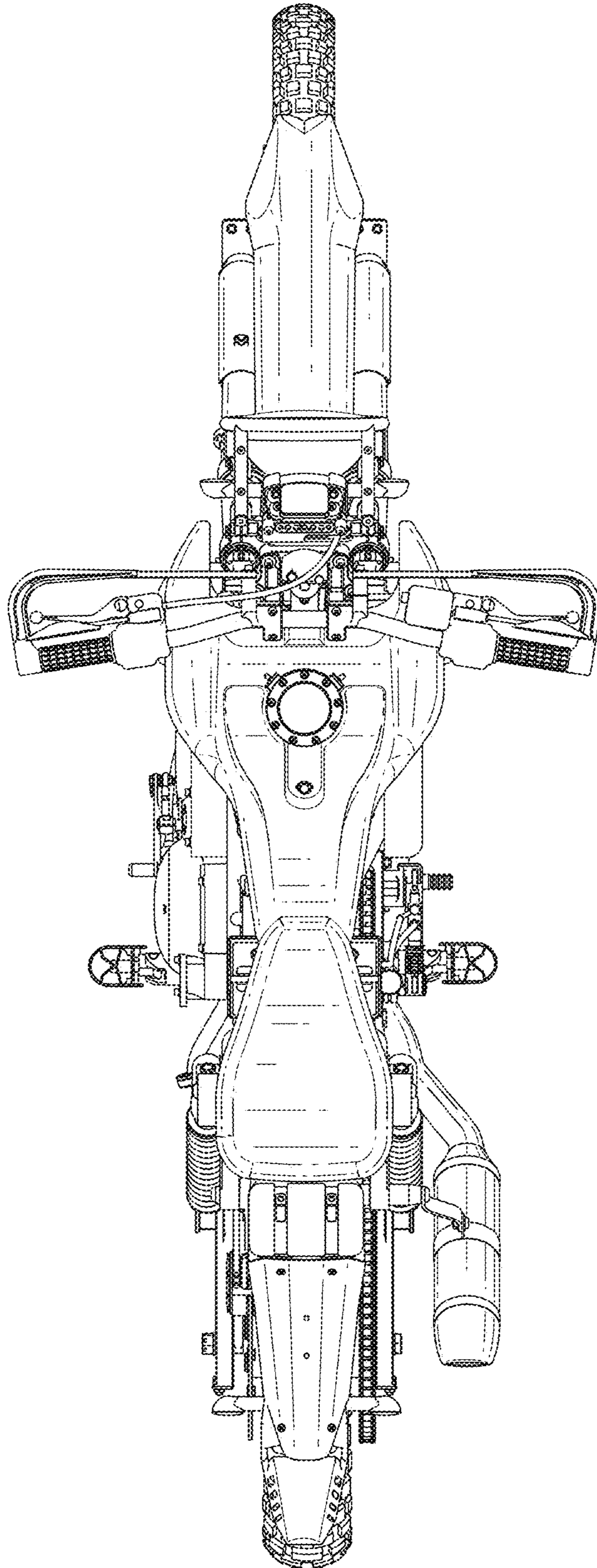


FIG. 8



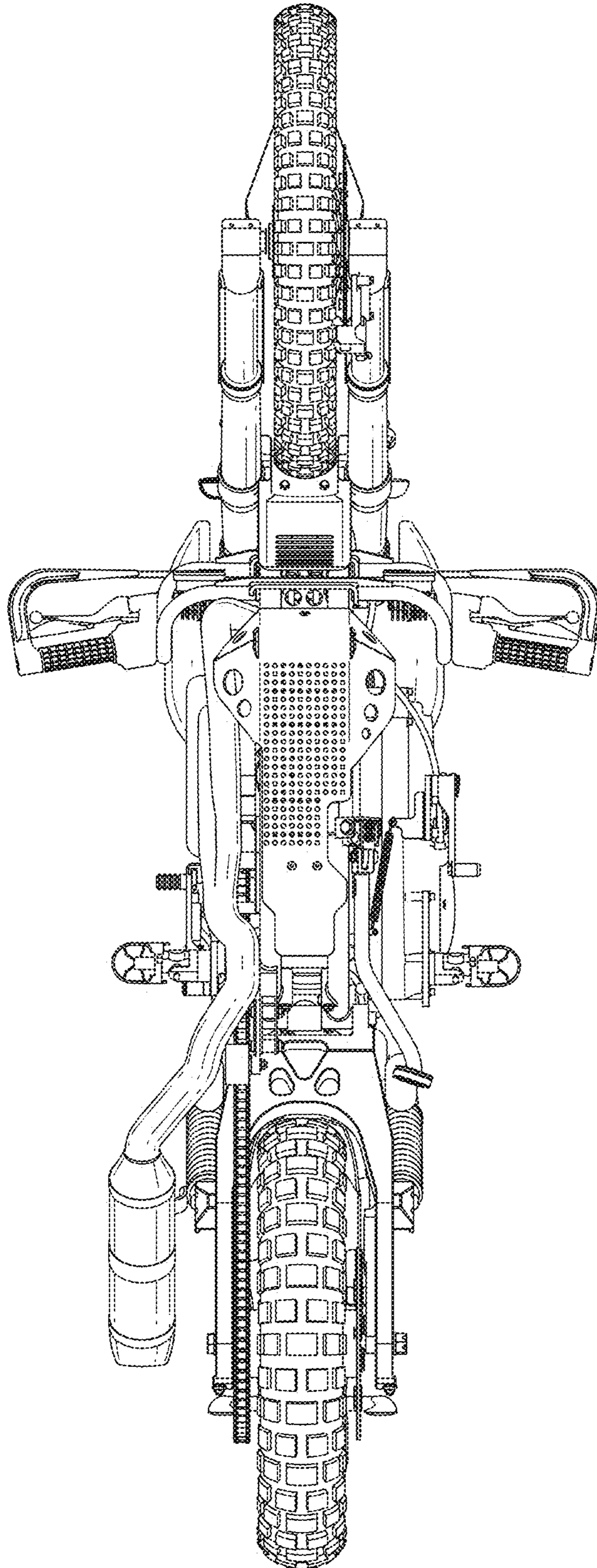


FIG. 9

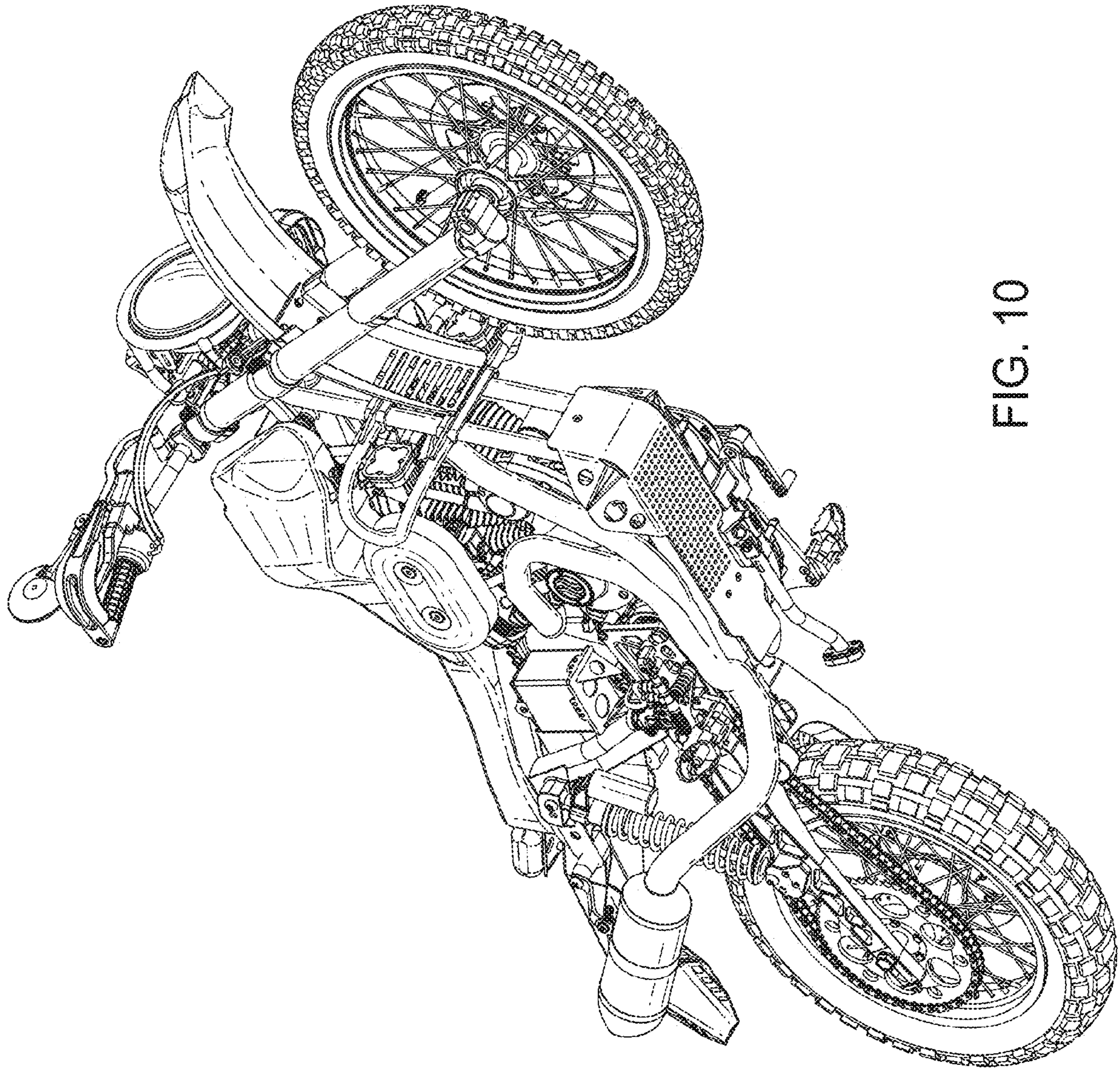


FIG. 10

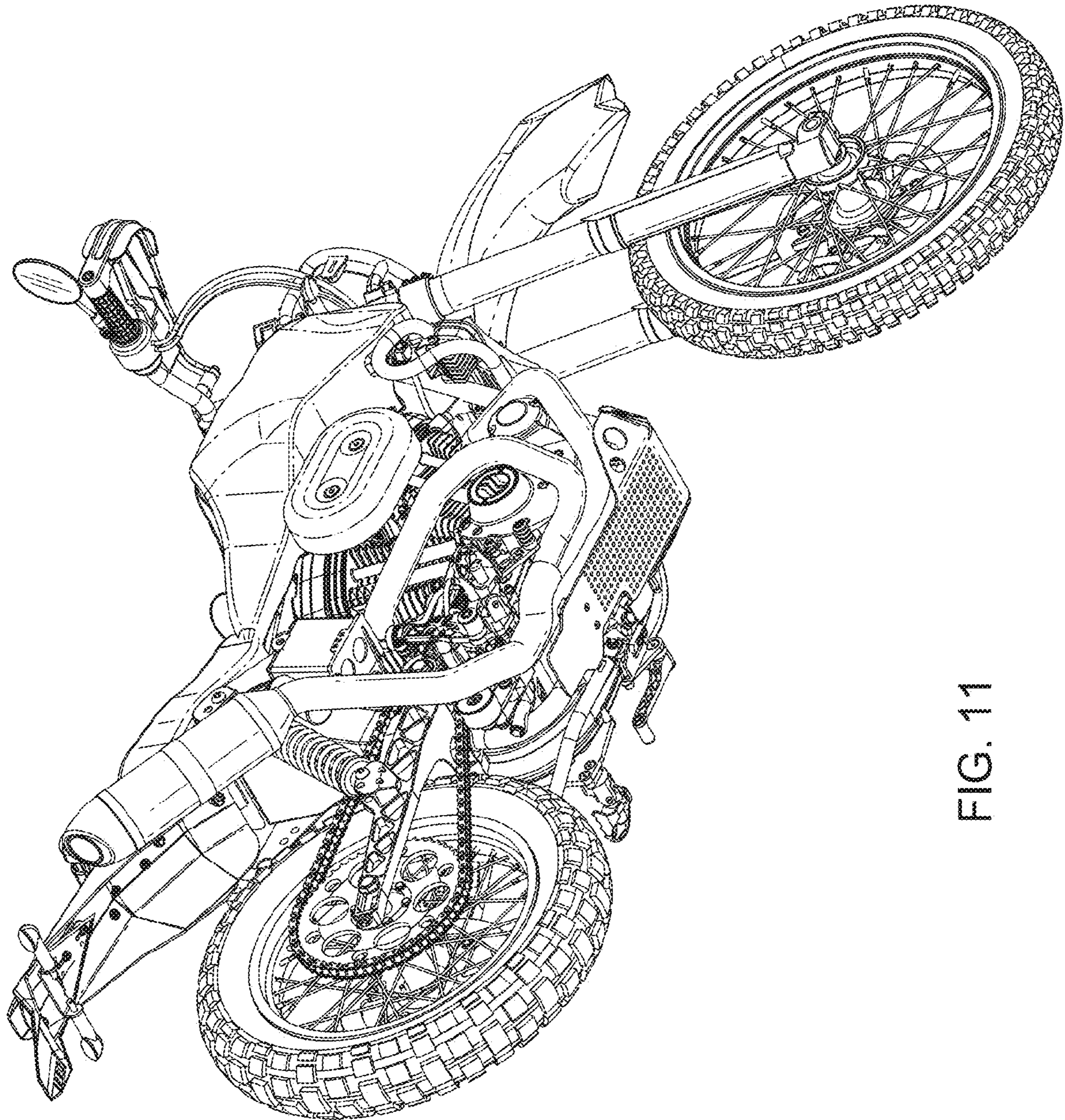


FIG. 11