

US00D890027S

(12) **United States Design Patent**
Gronenthal et al.

(10) **Patent No.:** **US D890,027 S**

(45) **Date of Patent:** **** Jul. 14, 2020**

(54) **CAR EXTERIOR**

(71) Applicant: **Faraday & Future Inc.**, Gardena, CA (US)

(72) Inventors: **Nicholas Max Gronenthal**, Los Angeles, CA (US); **Nicholas Clyde Bennett**, Los Angeles, CA (US); **Jackson Luttig**, Rancho Palos Verdes, CA (US); **Hanbin Youn**, Los Angeles, CA (US)

(73) Assignee: **FARADAY & FUTURE INC.**, Gardena, CA (US)

(**) Term: **15 Years**

(21) Appl. No.: **29/634,350**

(22) Filed: **Jan. 19, 2018**

(51) **LOC (12) Cl.** **12-08**

(52) **U.S. Cl.**
USPC **D12/86**

(58) **Field of Classification Search**
USPC D12/86, 90-92, 88; D21/424, 433, 434, D21/533; 296/181.1-181.5, 183.1
CPC B62D 25/00; B62D 25/06; B62D 33/00; B62D 35/00
See application file for complete search history.

(56) **References Cited**

U.S. PATENT DOCUMENTS

D691,921 S * 10/2013 Kasamatsu D12/86
D797,606 S * 9/2017 Oh D12/92

D808,302 S * 1/2018 Oh D12/92
D839,784 S * 2/2019 Sugawara D12/86
D846,447 S * 4/2019 Janin D12/90
D860,862 S * 9/2019 Janin D12/90
D866,399 S * 11/2019 Bischoff D12/92

* cited by examiner

Primary Examiner — Melody N Brown

(57) **CLAIM**

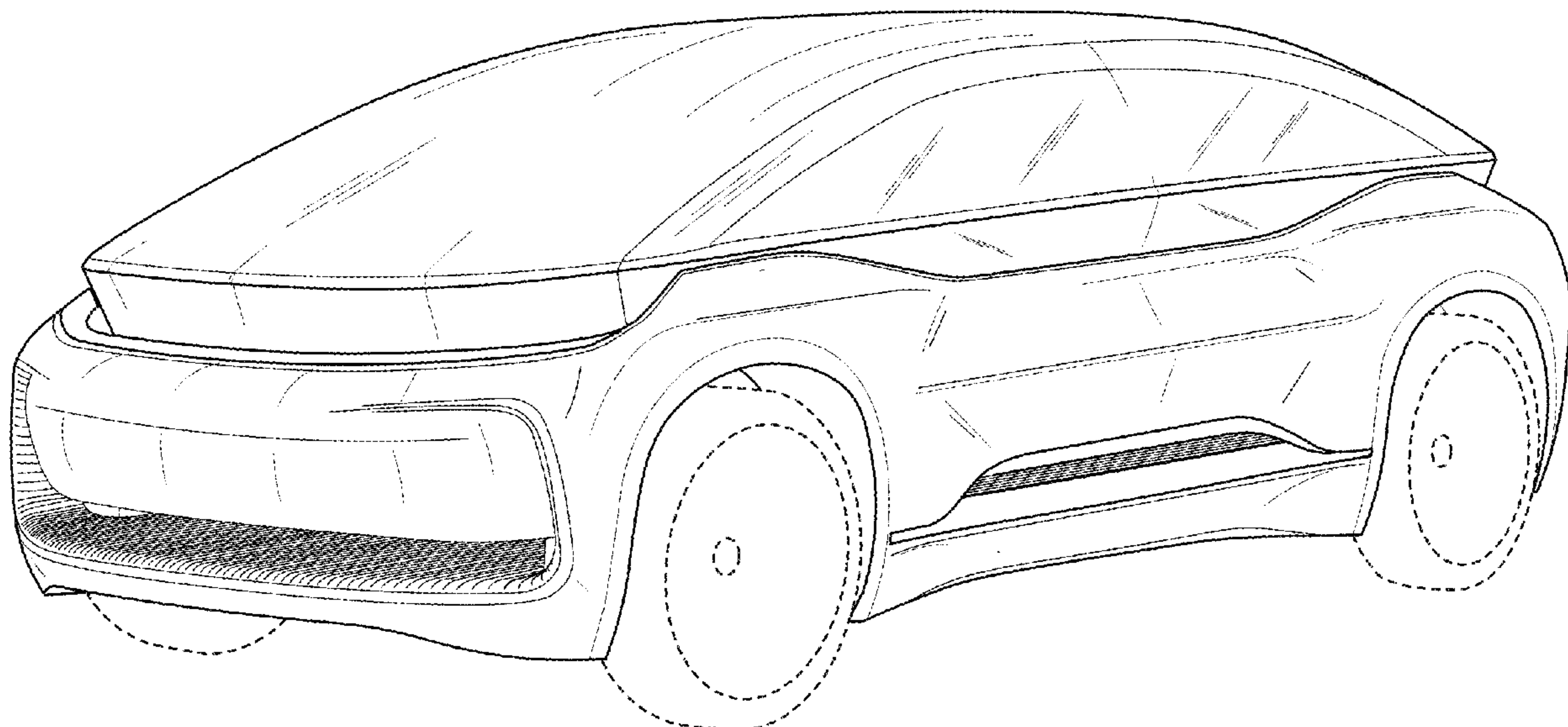
The ornamental design for a car exterior, as shown and described.

DESCRIPTION

FIG. 1 is a top, front and left side perspective view of a car exterior showing our new design;
FIG. 2 is a bottom, front and left side perspective view thereof;
FIG. 3 is a top, rear and right side perspective view thereof;
FIG. 4 is a bottom, rear and right side perspective view thereof;
FIG. 5 is a front elevation view thereof;
FIG. 6 is a rear elevation view thereof;
FIG. 7 is a right side elevation view thereof;
FIG. 8 is a left side elevation view thereof;
FIG. 9 is a top plan view thereof; and,
FIG. 10 is a bottom plan view thereof.

The broken lines shown throughout the drawing views are for illustrative and environmental purposes and form no part of the claimed design.

1 Claim, 10 Drawing Sheets



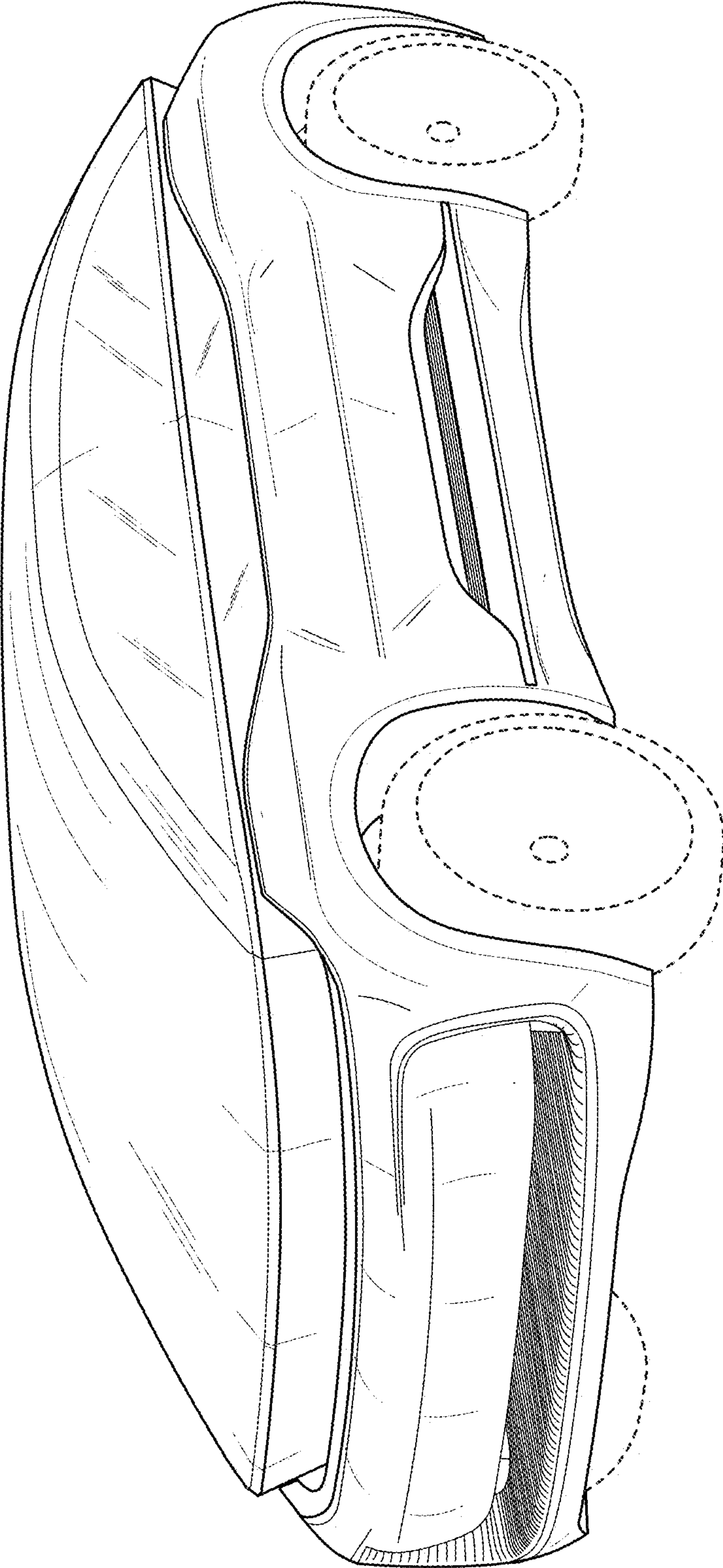


FIG. 1

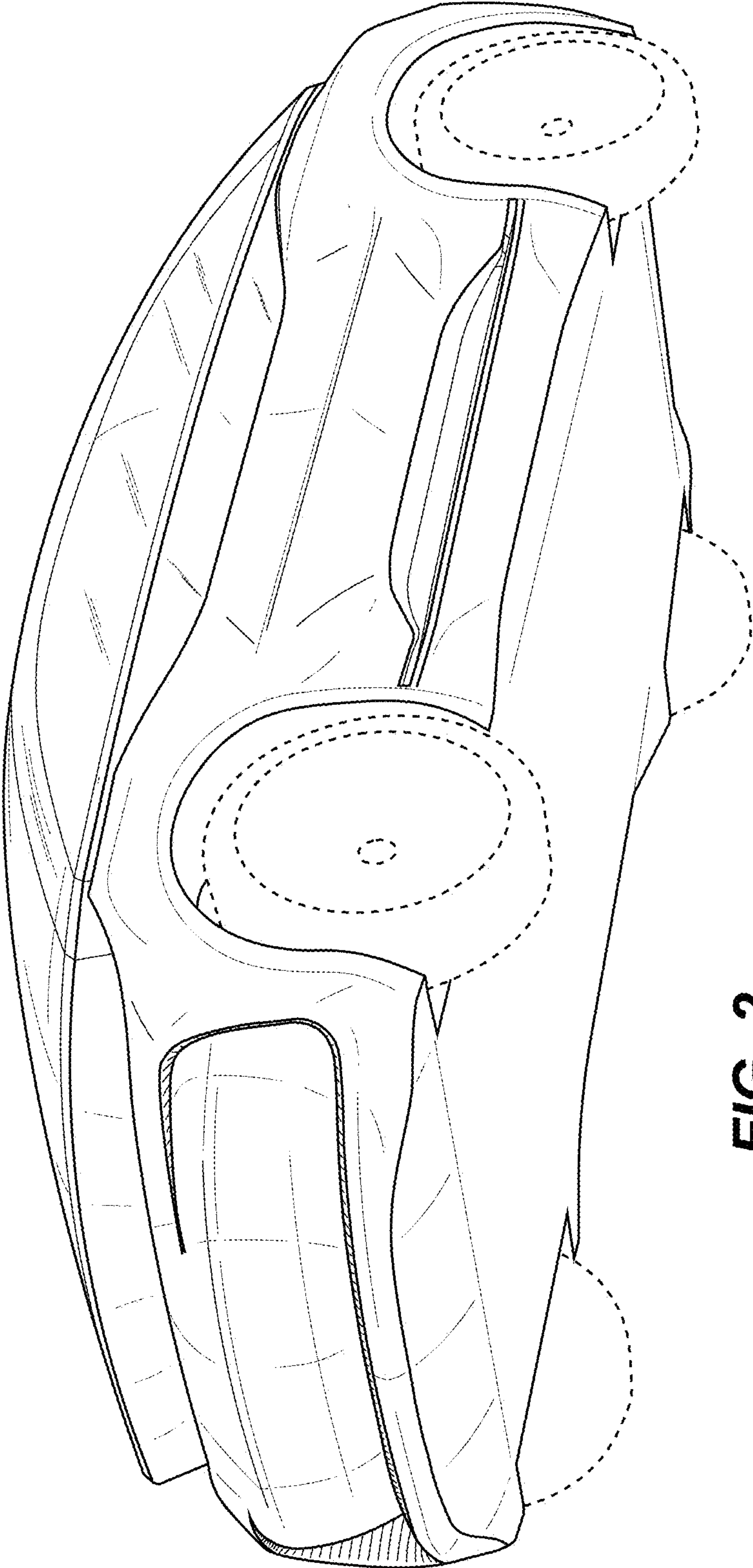


FIG. 2

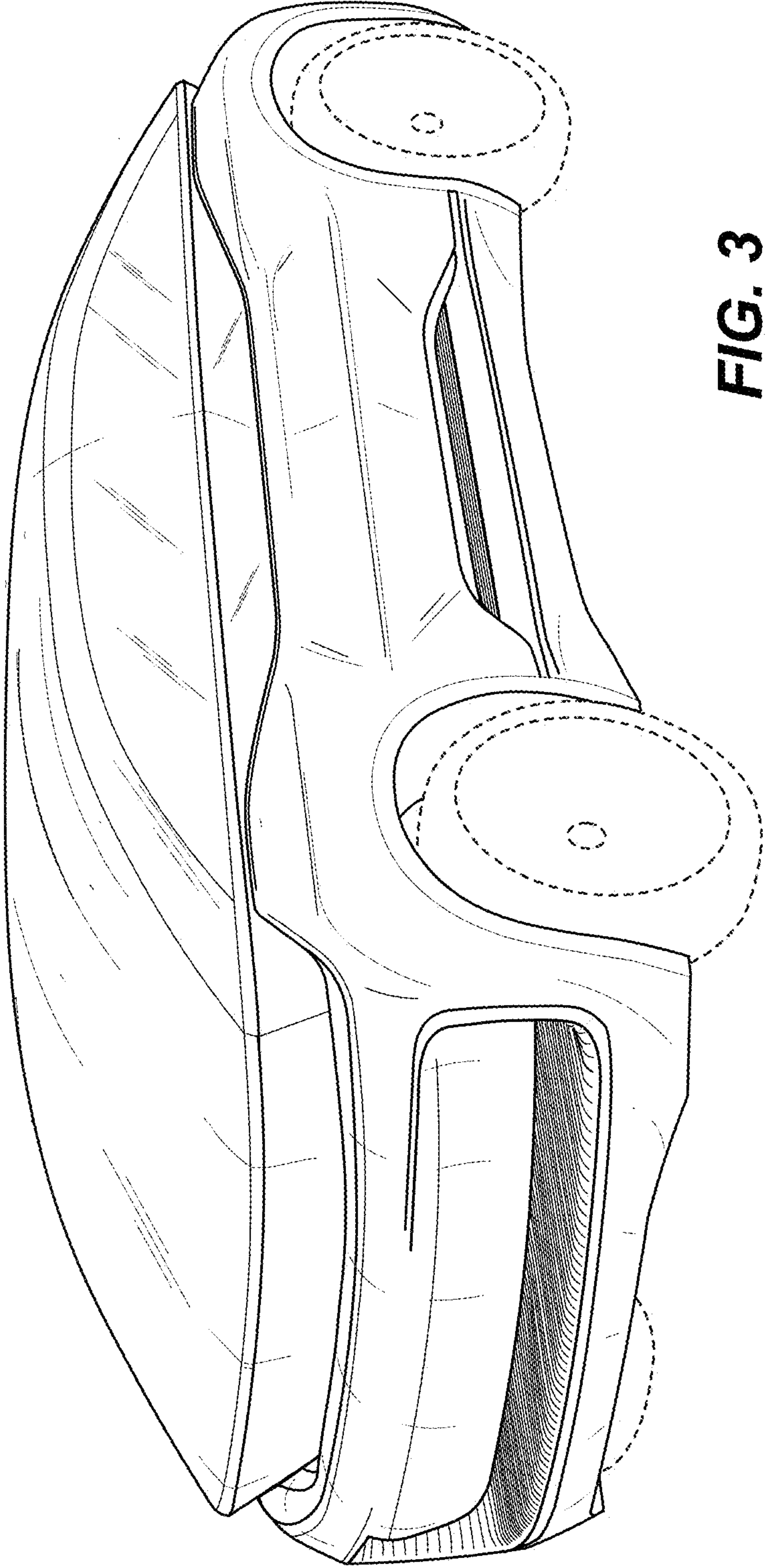


FIG. 3

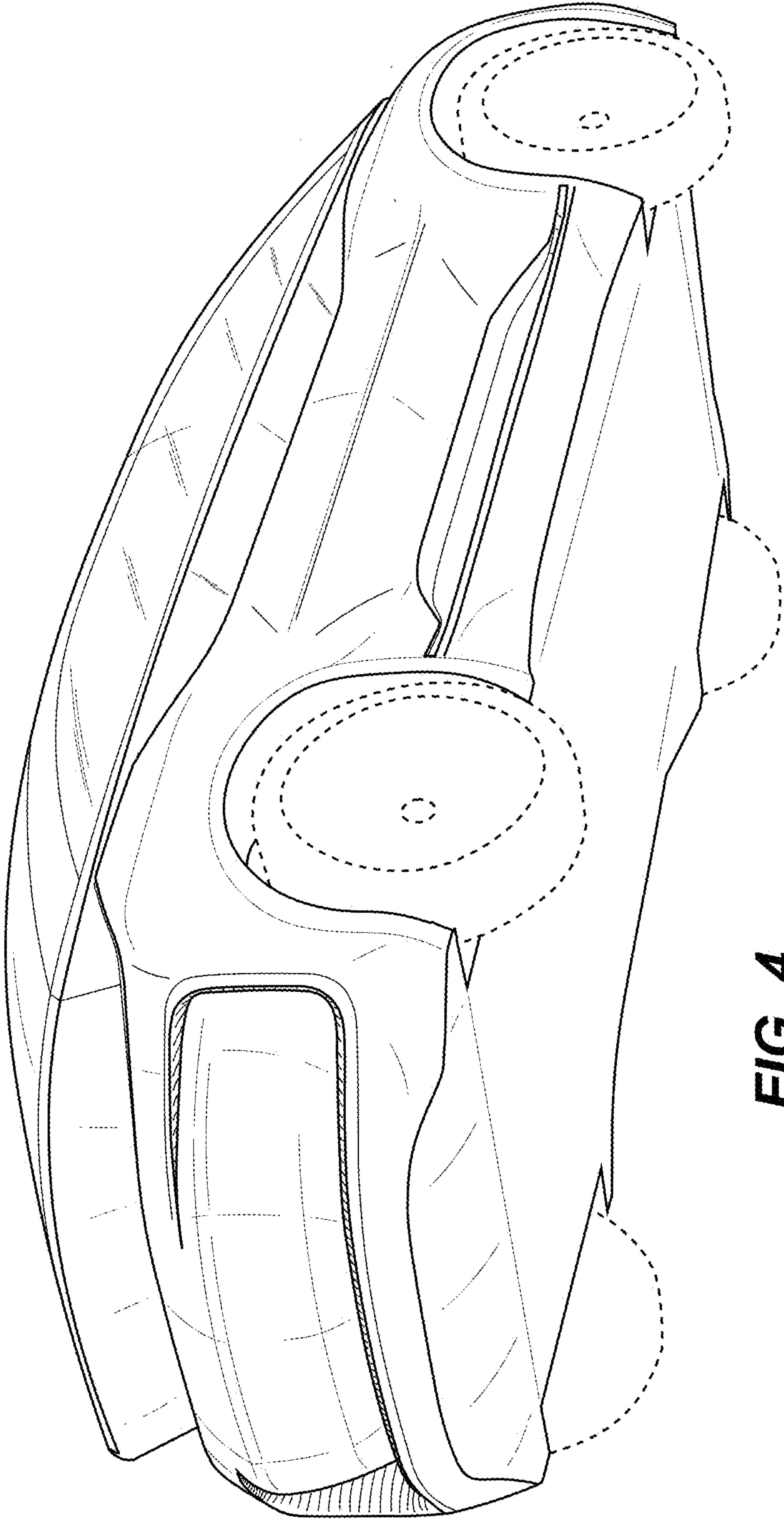


FIG. 4

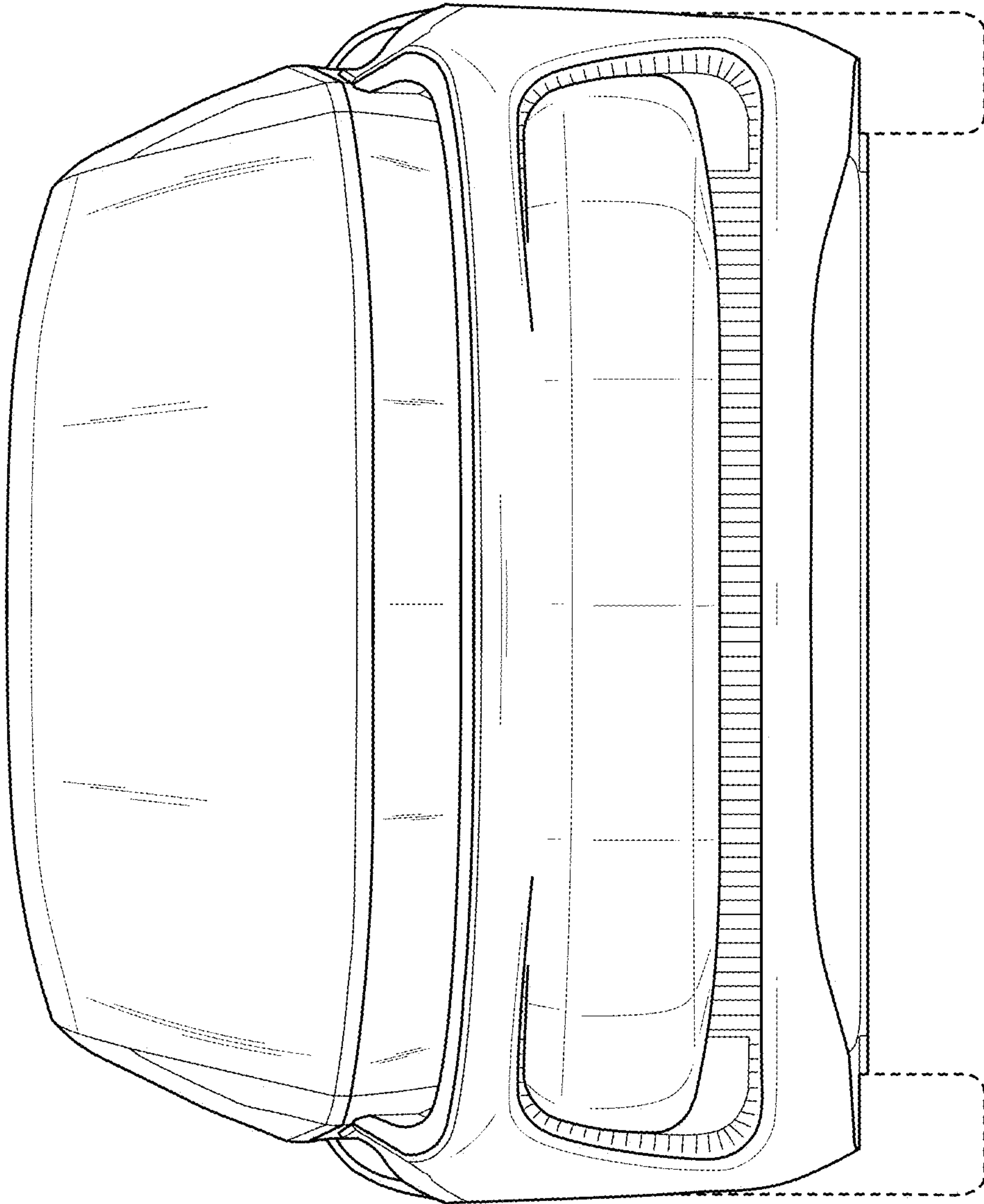


FIG. 5

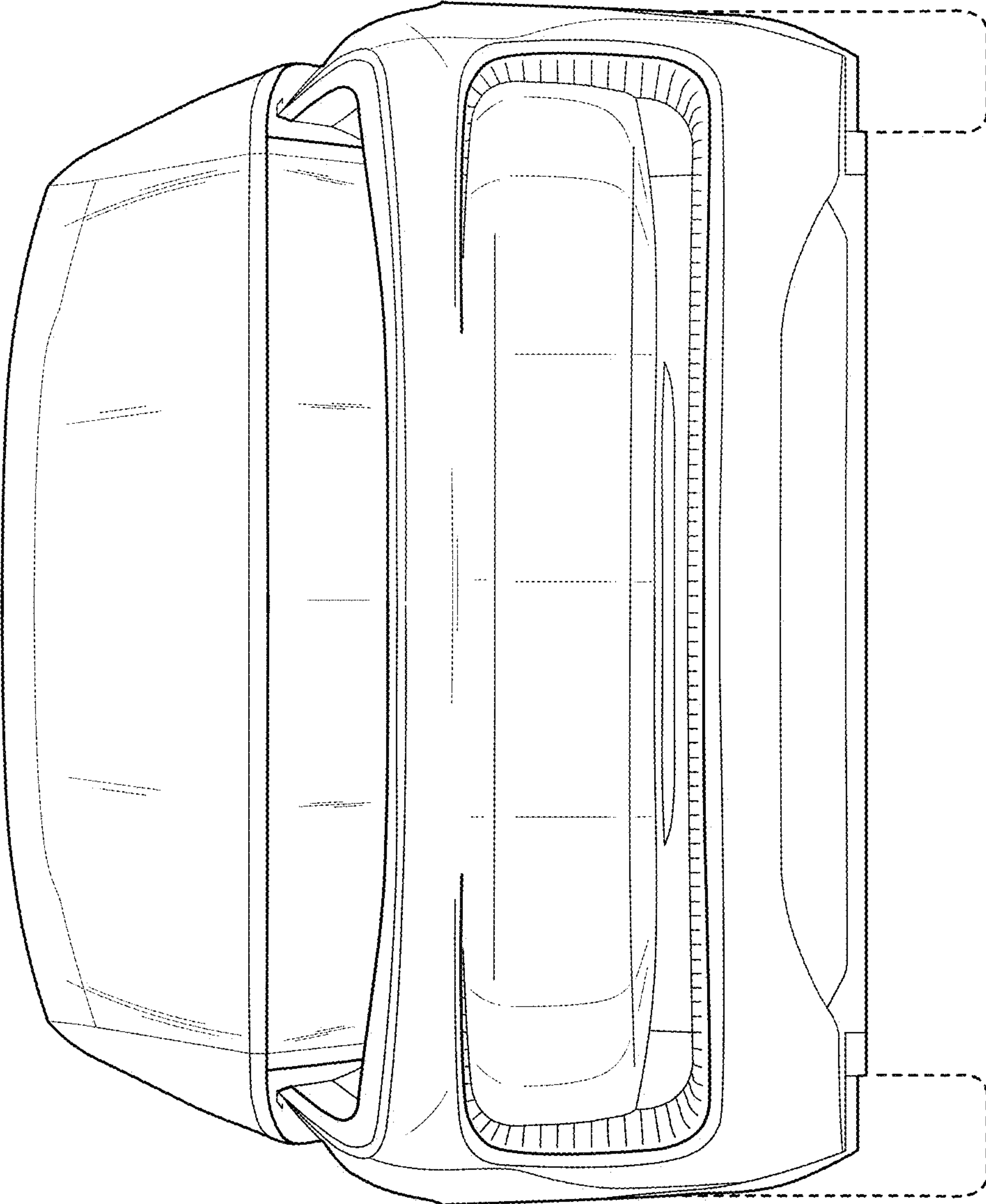


FIG. 6



FIG. 7

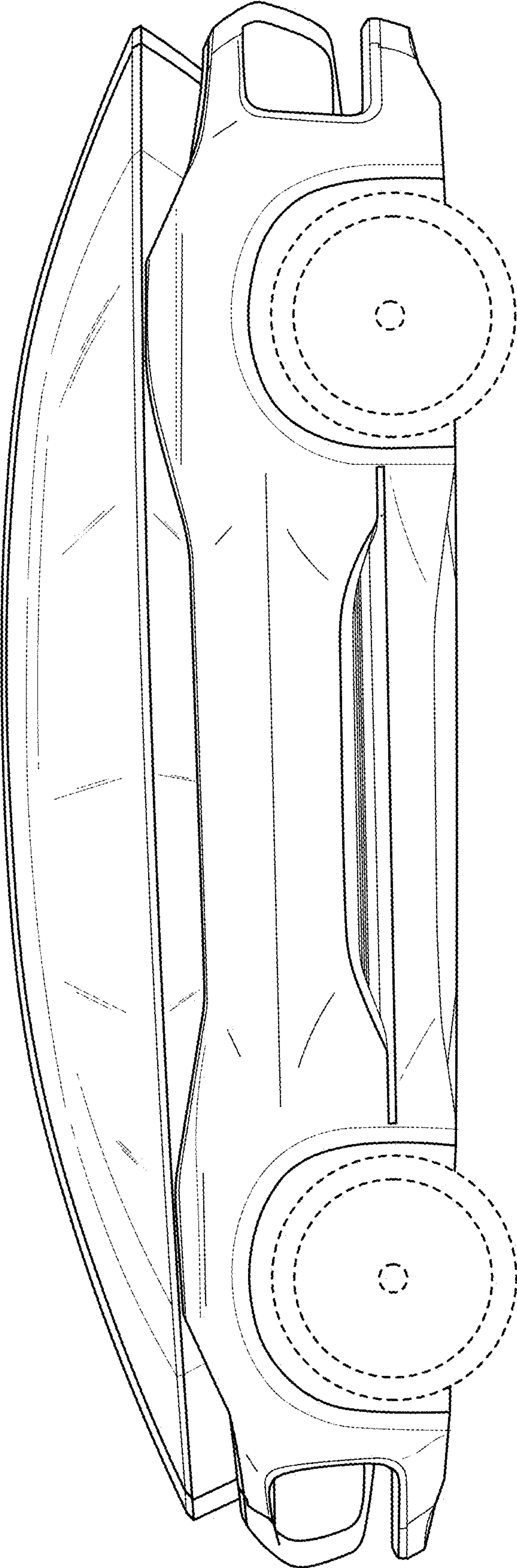


FIG. 8

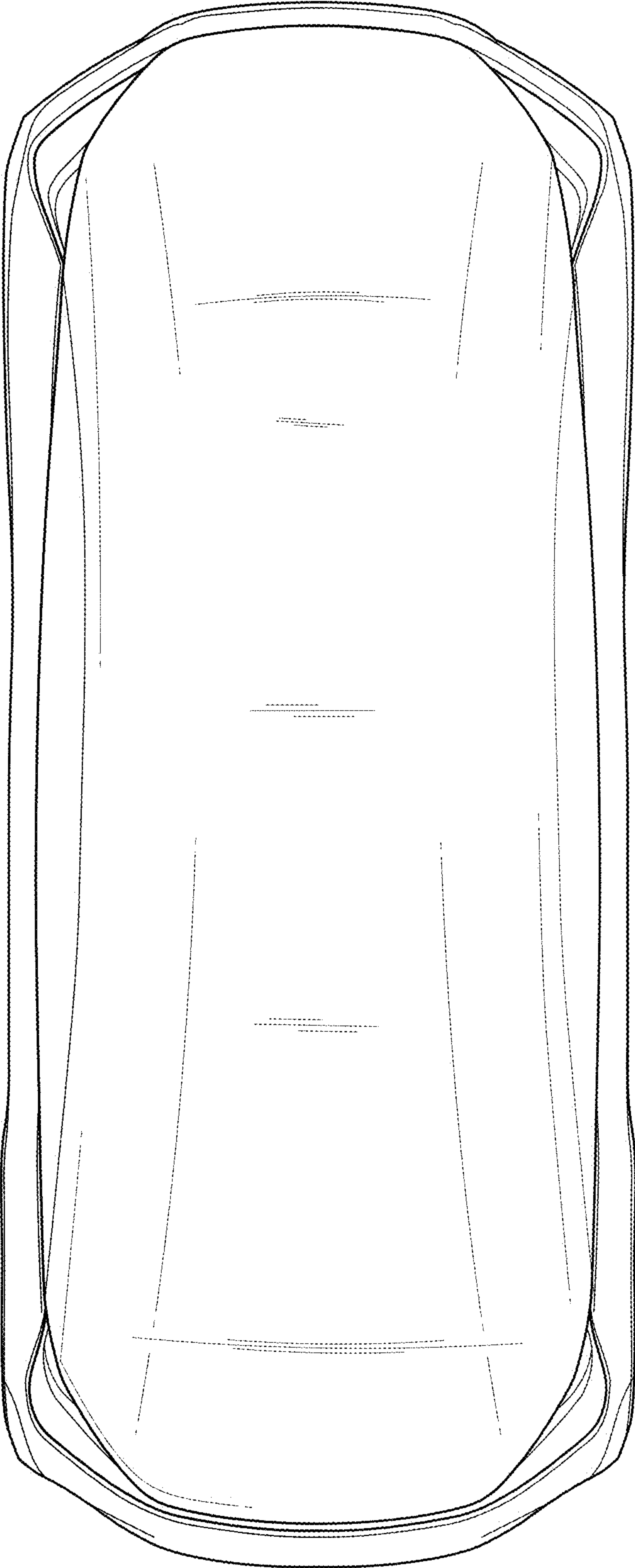


FIG. 9

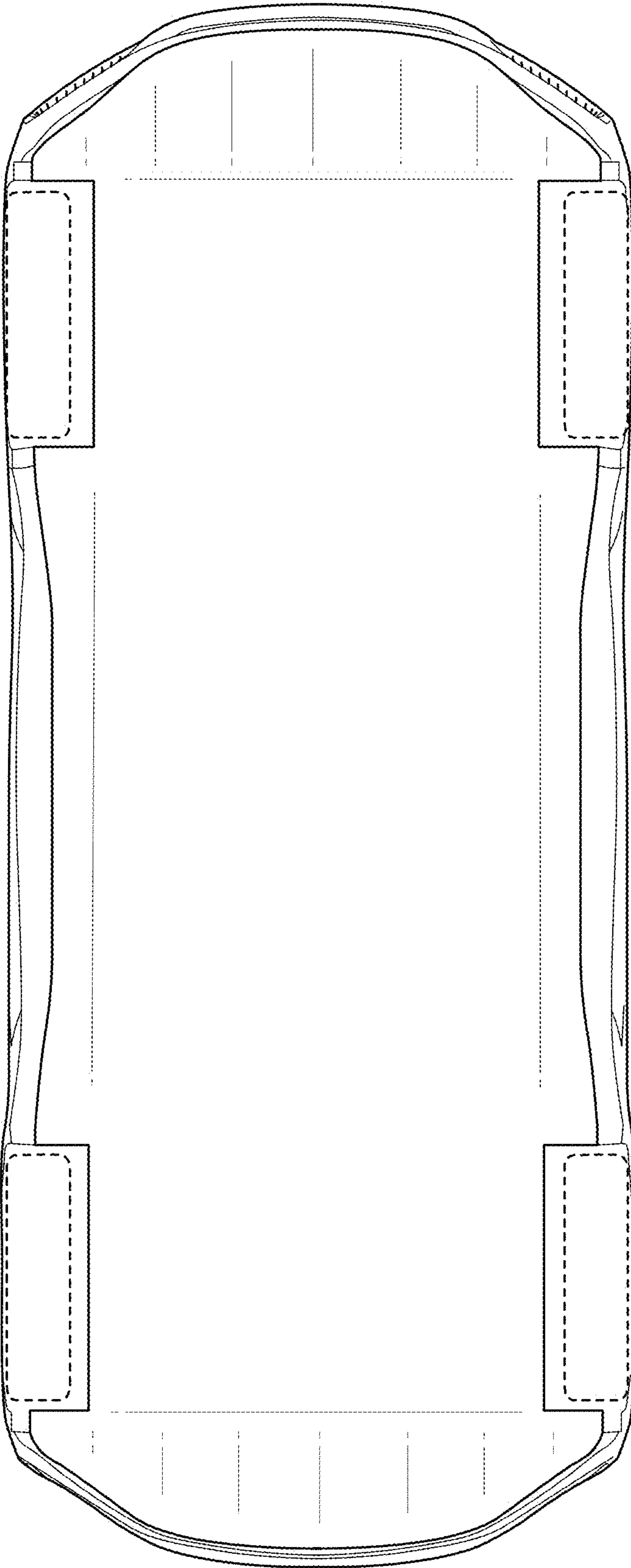


FIG. 10