



US00D890026S

(12) **United States Design Patent**
Nightingale et al.

(10) **Patent No.:** **US D890,026 S**
(45) **Date of Patent:** **** Jul. 14, 2020**

- (54) **VEHICLE HULL**
- (71) Applicant: **Jaguar Land Rover Limited**, Whitley, Coventry (GB)
- (72) Inventors: **Hugo Nightingale**, Coventry (GB); **Roman Bertin**, Coventry (GB)
- (73) Assignee: **Jaguar Land Rover Limited**, Whitley, Coventry (GB)

8,449,024 B2 * 5/2013 Pietroni B62D 29/046
296/204
D785,503 S * 5/2017 Qu D12/88
D844,537 S * 4/2019 MacAndrew D12/319

* cited by examiner

Primary Examiner — Susan Bennett Hattan
Assistant Examiner — Suzanne E Tisdell
(74) *Attorney, Agent, or Firm* — Wood Herron & Evans LLP

- (**) Term: **15 Years**
- (21) Appl. No.: **29/636,832**
- (22) Filed: **Feb. 12, 2018**

(57) **CLAIM**

The ornamental design for a vehicle hull, as shown and described.

(30) **Foreign Application Priority Data**

Aug. 29, 2017 (EM) 004170249

(51) **LOC (12) Cl.** **12-08**

(52) **U.S. Cl.**
USPC **D12/82**

(58) **Field of Classification Search**
USPC D12/86, 90, 91, 92, 163, 169, 171, 183,
D12/196, 216
CPC B60F 5/02; B62D 35/00; B64C 27/14;
B64C 27/08; B64C 37/00
See application file for complete search history.

DESCRIPTION

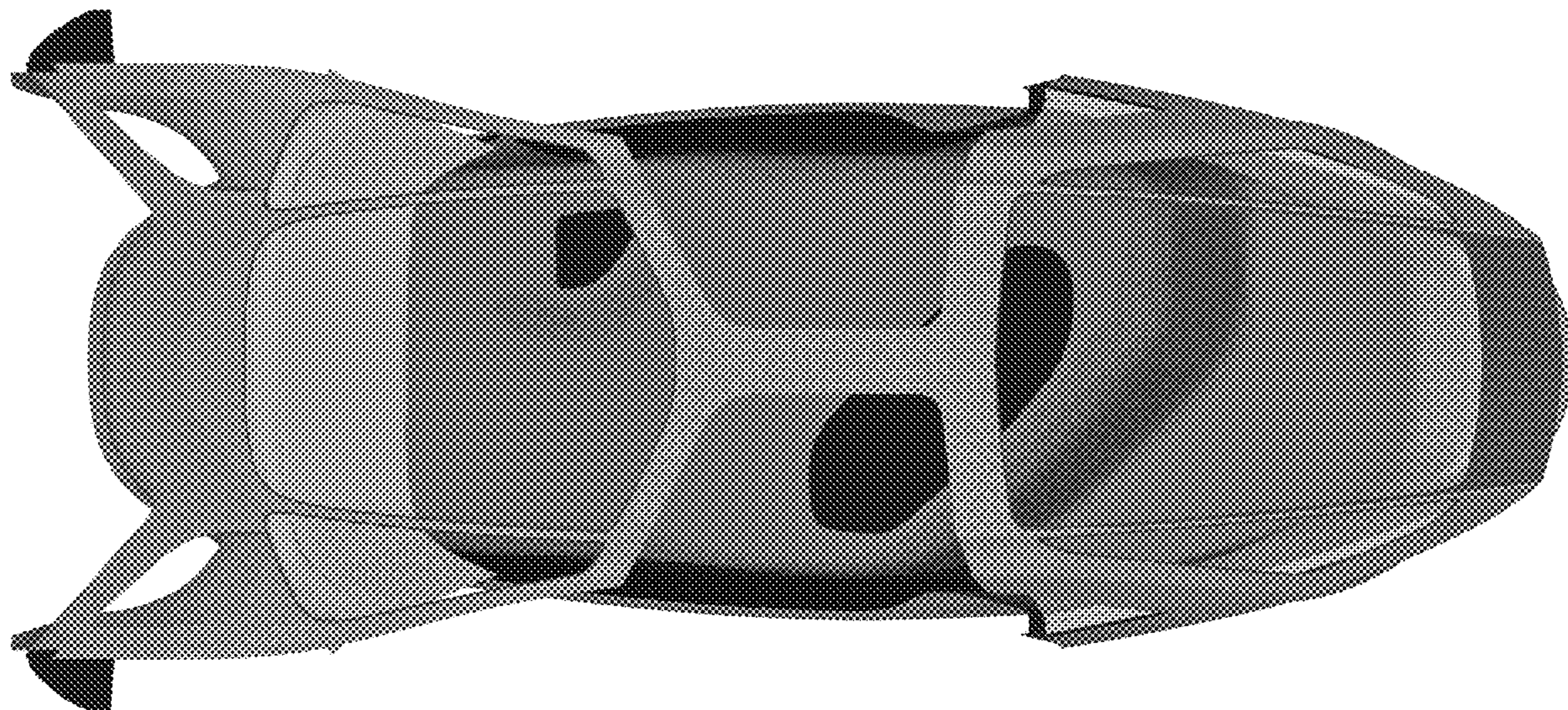
FIG. 1 is a front right perspective view of a vehicle hull according to the present invention;
FIG. 2 is a front left perspective view of the vehicle hull shown in FIG. 1;
FIG. 3 is a rear left perspective view thereof;
FIG. 4 is a rear right perspective view thereof;
FIG. 5 is a front view thereof;
FIG. 6 is a rear view thereof;
FIG. 7 is a left side view thereof;
FIG. 8 is a right side view thereof;
FIG. 9 is a top view thereof;
FIG. 10 is a bottom view thereof; and,
FIG. 11 is a top view of the vehicle hull shown in FIG. 1-10, but with the hull mounted on a vehicle, and the rest of the vehicle shown in de-emphasized and half-tone portions so as to illustrate environmental structure. These portions form no part of the claimed invention. More particularly, in FIG. 11, the inventive vehicle hull is shown within the broken line, and the elements shown outside of the broken line form no part of the claimed invention, but are instead included to show environmental aspects thereof.

(56) **References Cited**

U.S. PATENT DOCUMENTS

- D329,212 S * 9/1992 Murkett D12/91
- 5,688,021 A * 11/1997 Tomforde B62D 23/005
296/191
- D402,922 S * 12/1998 Singer D12/92
- D464,915 S * 10/2002 Okonkwo D12/88
- 6,485,089 B2 * 11/2002 Hanyu B62D 21/15
29/897.2
- D484,440 S * 12/2003 Okonkwo D12/92

1 Claim, 11 Drawing Sheets



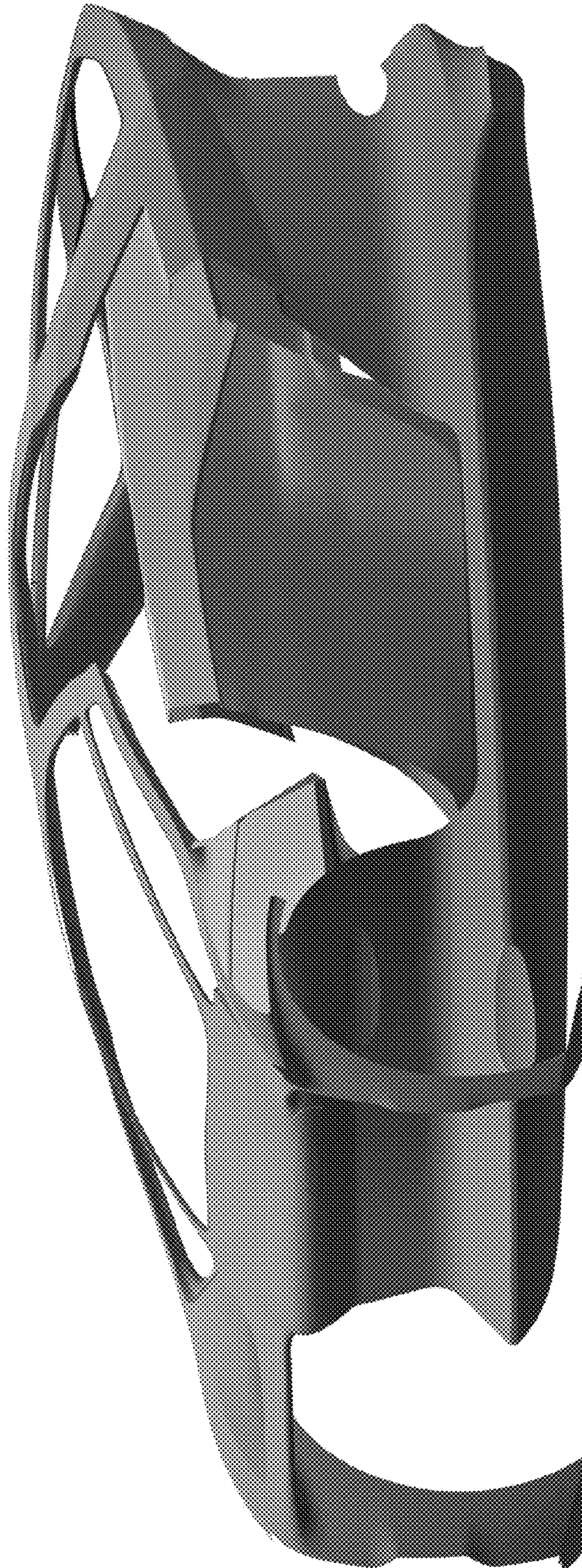


FIG. 1

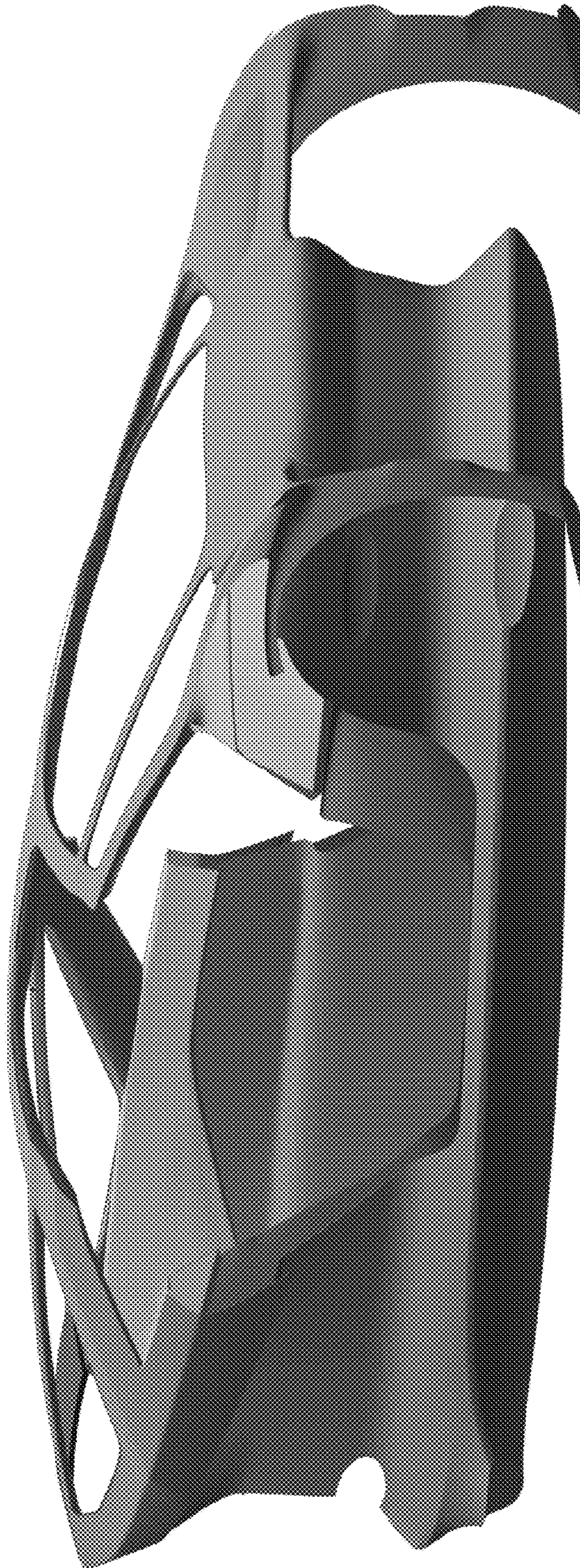


FIG. 2

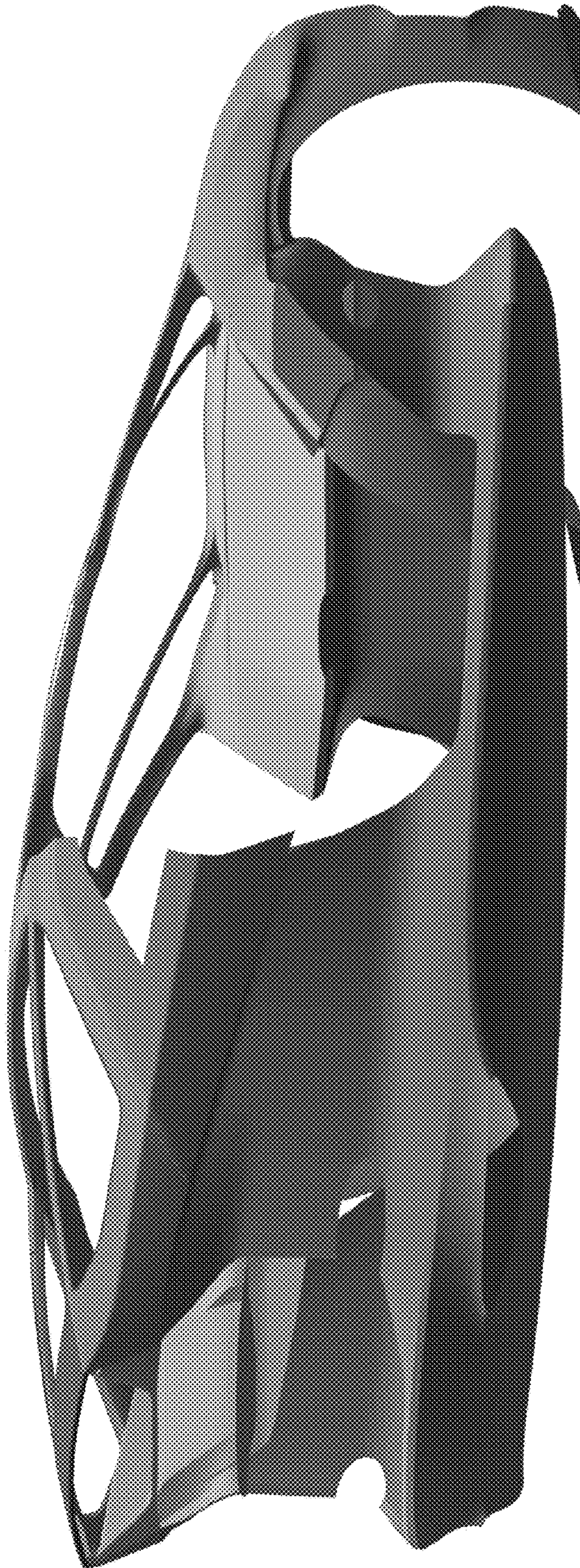


FIG. 3

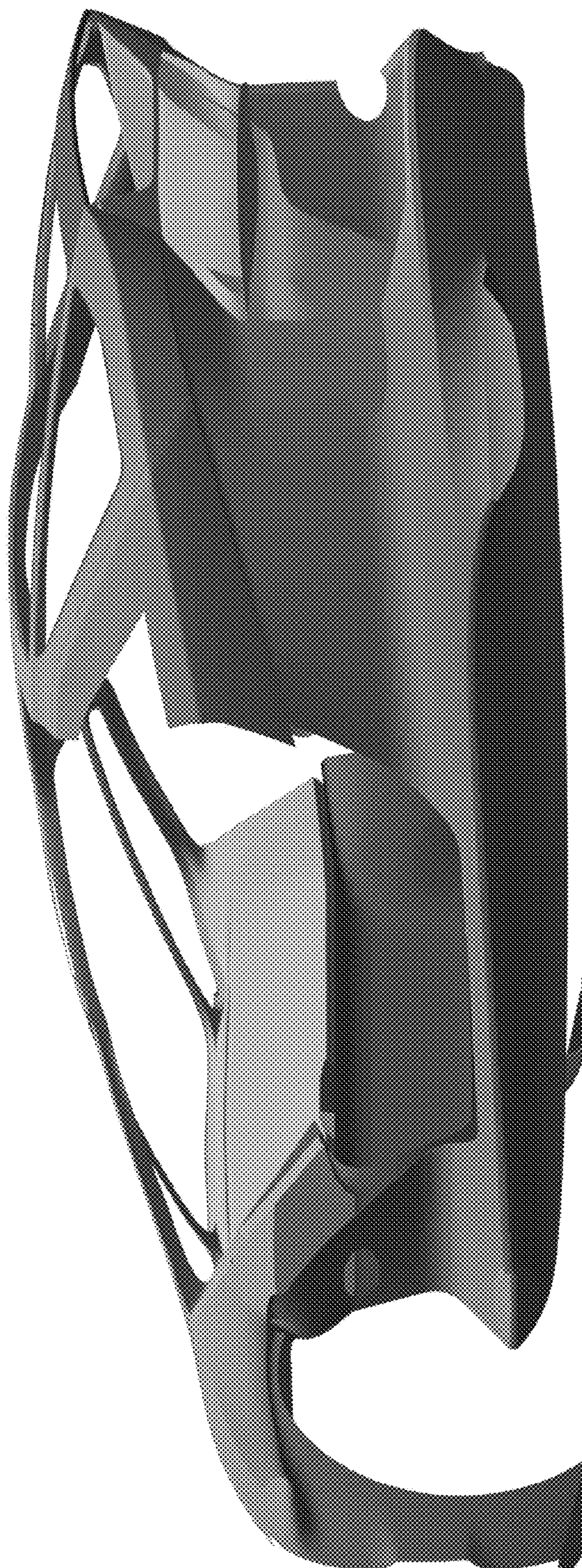


FIG. 4

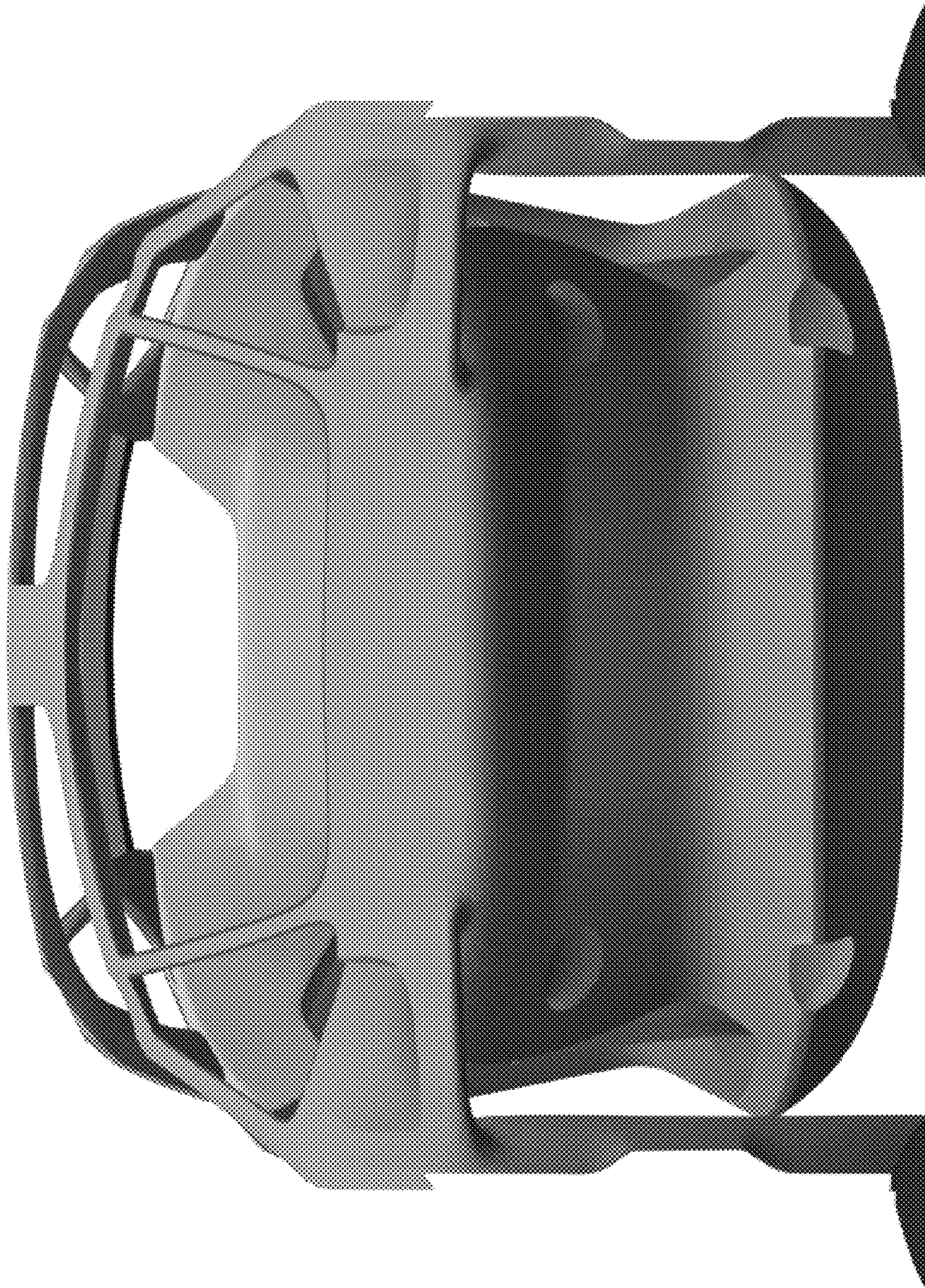


FIG. 5

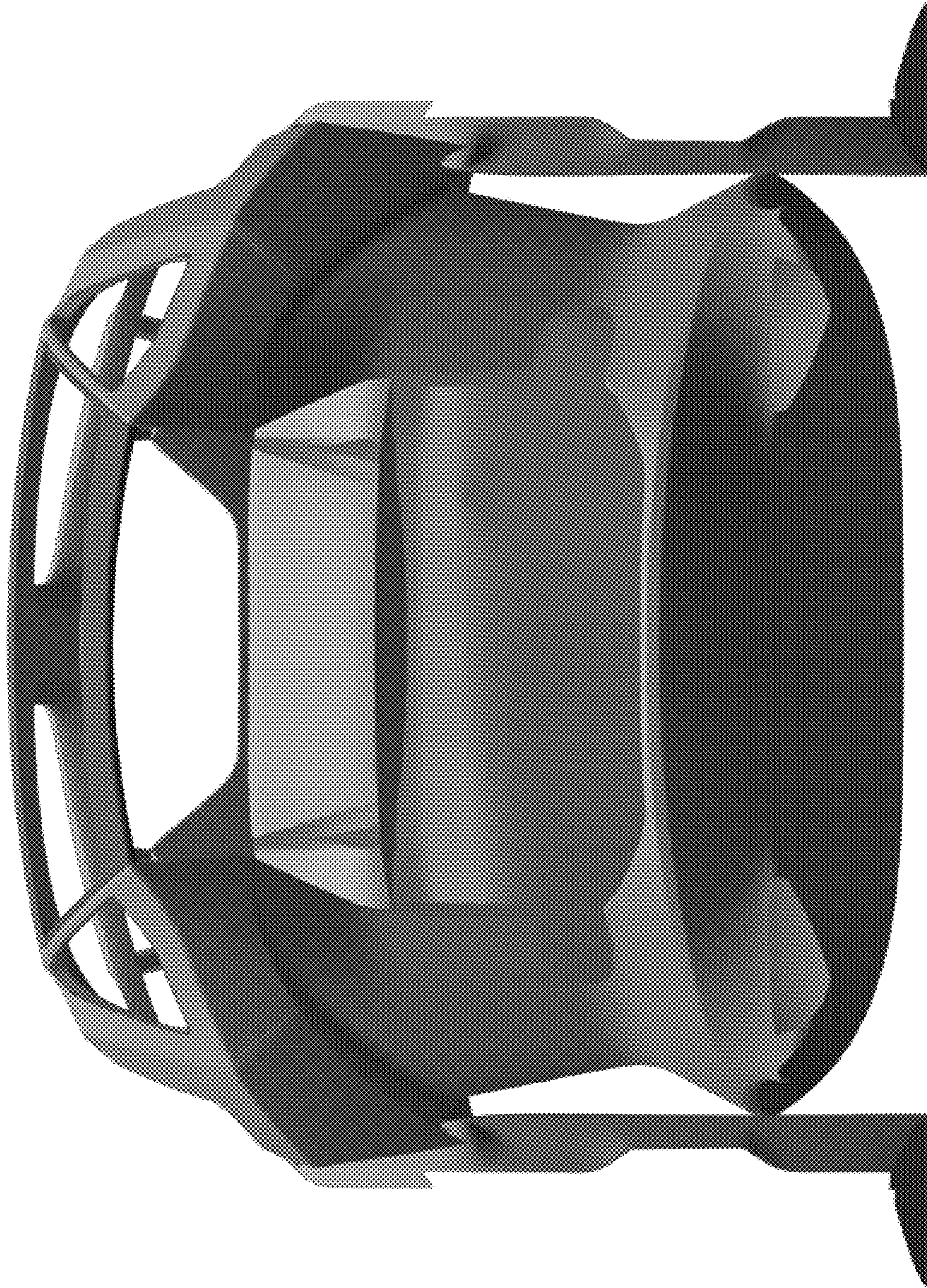


FIG. 6

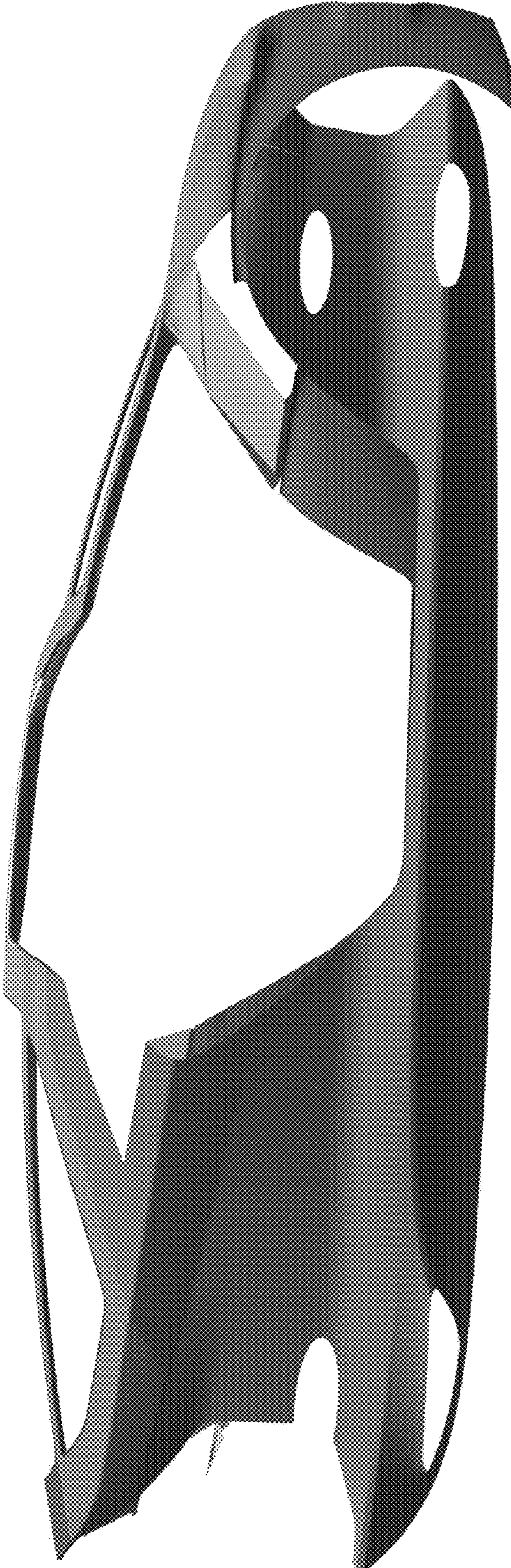


FIG. 7

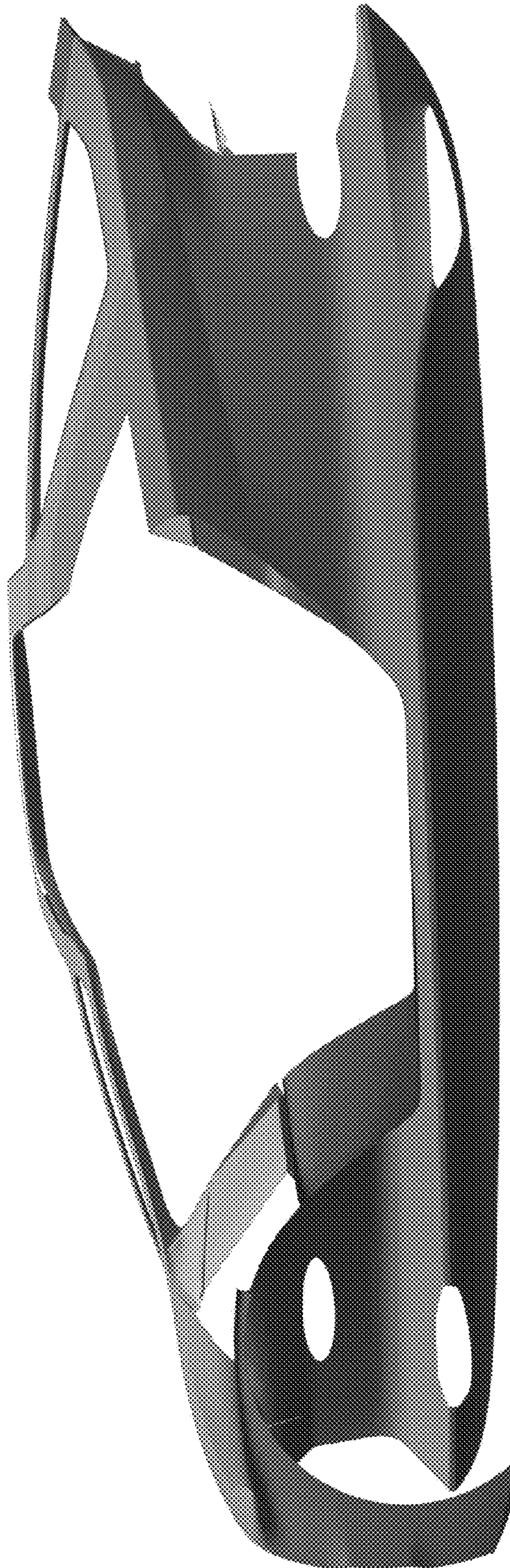


FIG. 8



FIG. 9



FIG. 10

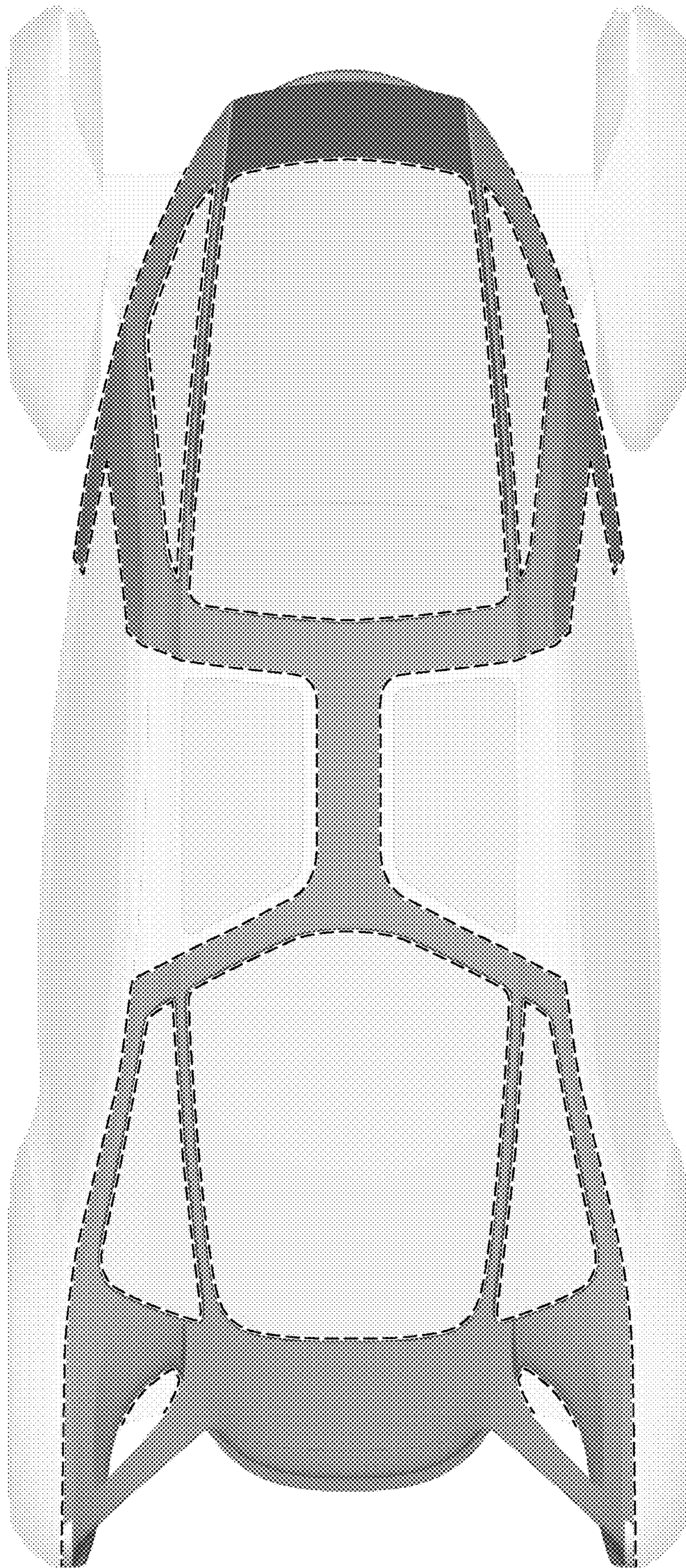


FIG. 11