



US00D890025S

(12) **United States Design Patent**  
**Koshiishi**

(10) **Patent No.:** **US D890,025 S**  
(45) **Date of Patent:** **\*\* Jul. 14, 2020**

(54) **SINGLE-WHEELED ELECTRIC VEHICLE WITH AUXILIARY WHEEL AND/OR REPLICA THEREOF**

(71) Applicant: **HONDA MOTOR CO., LTD.**, Tokyo (JP)

(72) Inventor: **Takeshi Koshiishi**, Wako (JP)

(73) Assignee: **HONDA MOTOR CO., LTD.**, Tokyo (JP)

(\*\*) Term: **15 Years**

(21) Appl. No.: **29/671,707**

(22) Filed: **Nov. 29, 2018**

(30) **Foreign Application Priority Data**

May 30, 2018 (JP) ..... 2018-011852

(51) **LOC (12) Cl.** ..... **12-14**

(52) **U.S. Cl.**  
USPC ..... **D12/1**

(58) **Field of Classification Search**

USPC ..... D12/1, 107, 110; D21/419, 763, 421, D21/423, 426, 760, 765, 766, 769, 771, D21/776, 803

CPC ..... A63C 17/01; A63C 17/12; A63C 2203/00; A63C 2203/01; A63C 2203/012; A63C 2203/013; A63C 2203/40; A63C 2203/52; A63C 17/0033; A63C 17/016; A63C 17/08; B62D 51/02; B62D 51/001; B62D 61/00; B62D 37/00; B23K 2202/00; B23K 2207/00; B23K 2207/02; B23K 2207/04; B23K 3/007; B23K 17/00; B23K 11/007; B60N 2/002; B60G 17/019; B62K 1/00; B62K 3/007; B62J 23/00; B62J 1/08

See application file for complete search history.

(56) **References Cited**

**U.S. PATENT DOCUMENTS**

D505,363 S \* 5/2005 Aube ..... D12/107  
D685,295 S \* 7/2013 Mori ..... D12/107

(Continued)

**FOREIGN PATENT DOCUMENTS**

DE 102012221362 A1 \* 5/2013 ..... B60B 19/003  
DE 102013208647 A1 \* 11/2013 ..... B60L 15/20

(Continued)

*Primary Examiner* — Ania Aman

(74) *Attorney, Agent, or Firm* — Westerman, Hattori, Daniels & Adrian, LLP

(57) **CLAIM**

The ornamental design for a single-wheeled electric vehicle with auxiliary wheel and/or replica thereof, as shown and described.

**DESCRIPTION**

FIG. 1 is a front perspective view from the top direction of single-wheeled electric vehicle with auxiliary wheel and/or replica thereof, showing our new design;

FIG. 2 is a rear view of the single-wheeled electric vehicle with auxiliary wheel and/or replica thereof;

FIG. 3 a plan view of the single-wheeled electric vehicle with auxiliary wheel and/or replica thereof;

FIG. 4 a right side view of the single-wheeled electric vehicle with auxiliary wheel and/or replica thereof;

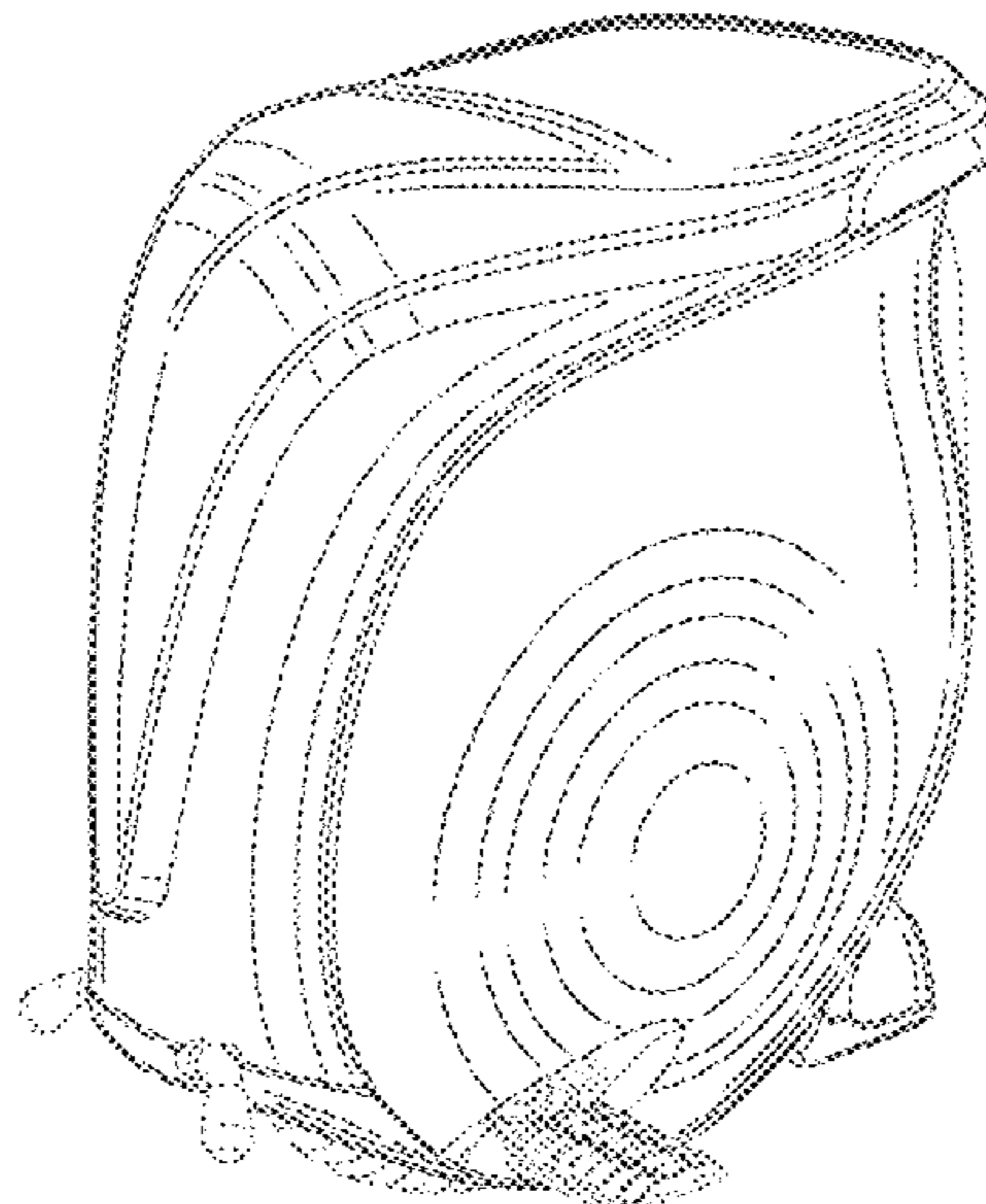
FIG. 5 a left side view of the single-wheeled electric vehicle with auxiliary wheel and/or replica thereof;

FIG. 6 a front perspective view of the single-wheeled electric vehicle with auxiliary wheel and/or replica thereof; and,

FIG. 7 a rear perspective view of the single-wheeled electric vehicle with auxiliary wheel and/or replica thereof as seen from the left side.

The broken lines in the drawings illustrate portions of single-wheeled electric vehicle with auxiliary wheel and/or replica thereof that form no part of the claimed design.

**1 Claim, 4 Drawing Sheets**



(56)

**References Cited**

U.S. PATENT DOCUMENTS

D774,956 S \* 12/2016 Tanaka ..... D12/107  
10,071,781 B2 \* 9/2018 Hirabayashi ..... B62K 1/00  
10,137,956 B2 \* 11/2018 Echizenya ..... B62J 6/00  
D840,277 S \* 2/2019 Li ..... D12/107  
2011/0068738 A1 \* 3/2011 Gomi ..... B62J 1/005  
320/108  
2015/0175233 A1 \* 6/2015 Ungar ..... B62K 1/00  
180/181  
2017/0217526 A1 \* 8/2017 Zhang ..... B60K 7/0007  
2017/0327176 A1 \* 11/2017 Yoshino ..... B62K 11/007  
2017/0355414 A1 \* 12/2017 Echizenya ..... B62J 6/00  
2018/0148115 A1 \* 5/2018 Hirabayashi ..... B62K 1/00  
2018/0265159 A1 \* 9/2018 Artemev ..... B62K 1/00  
2018/0304953 A1 \* 10/2018 Itai ..... B62K 1/00

FOREIGN PATENT DOCUMENTS

EP 2664526 A1 \* 11/2013 ..... B62H 1/12  
JP 2017218073 A \* 12/2017 ..... B62K 11/007

\* cited by examiner

FIG. 1

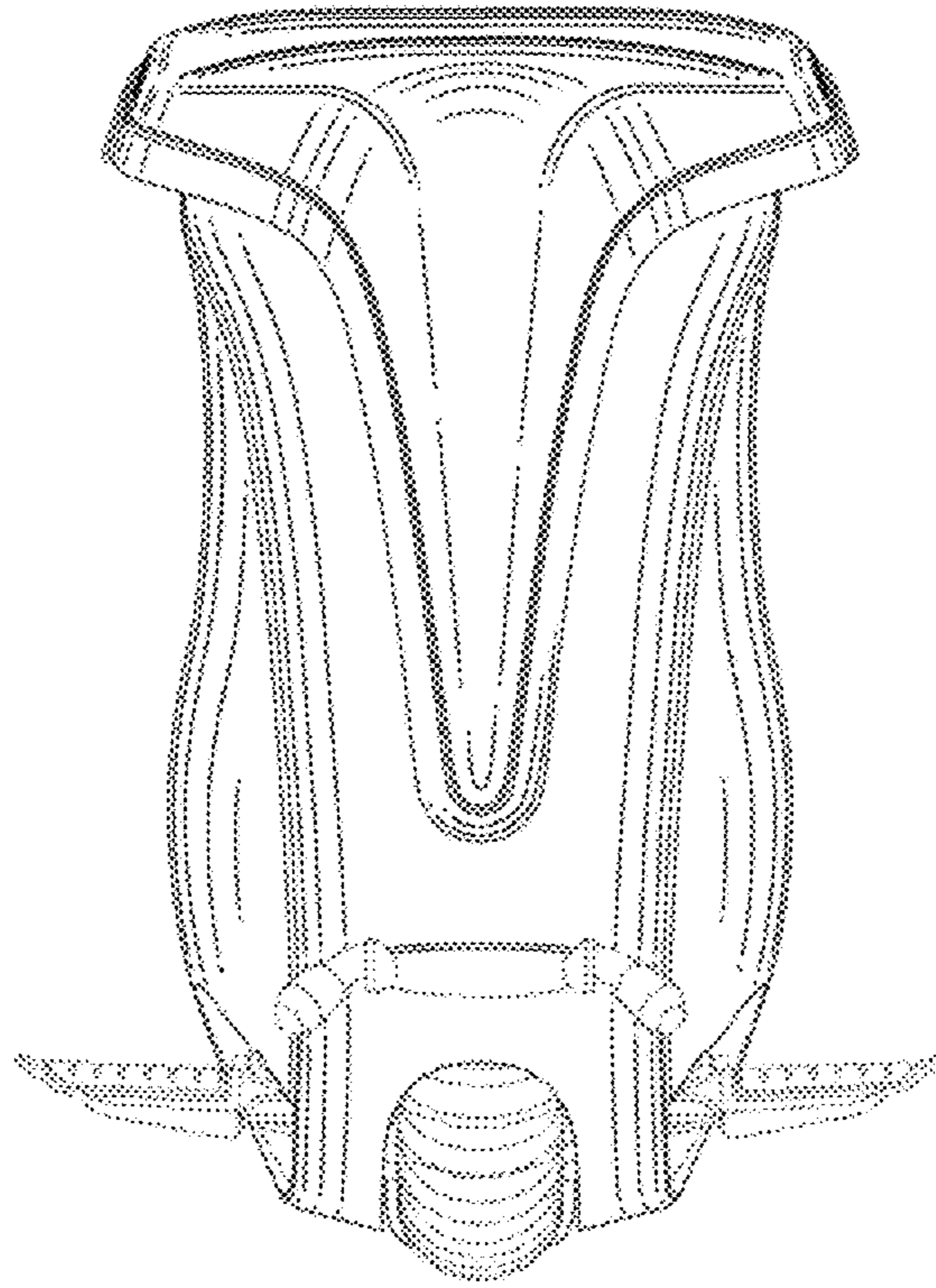


FIG. 2

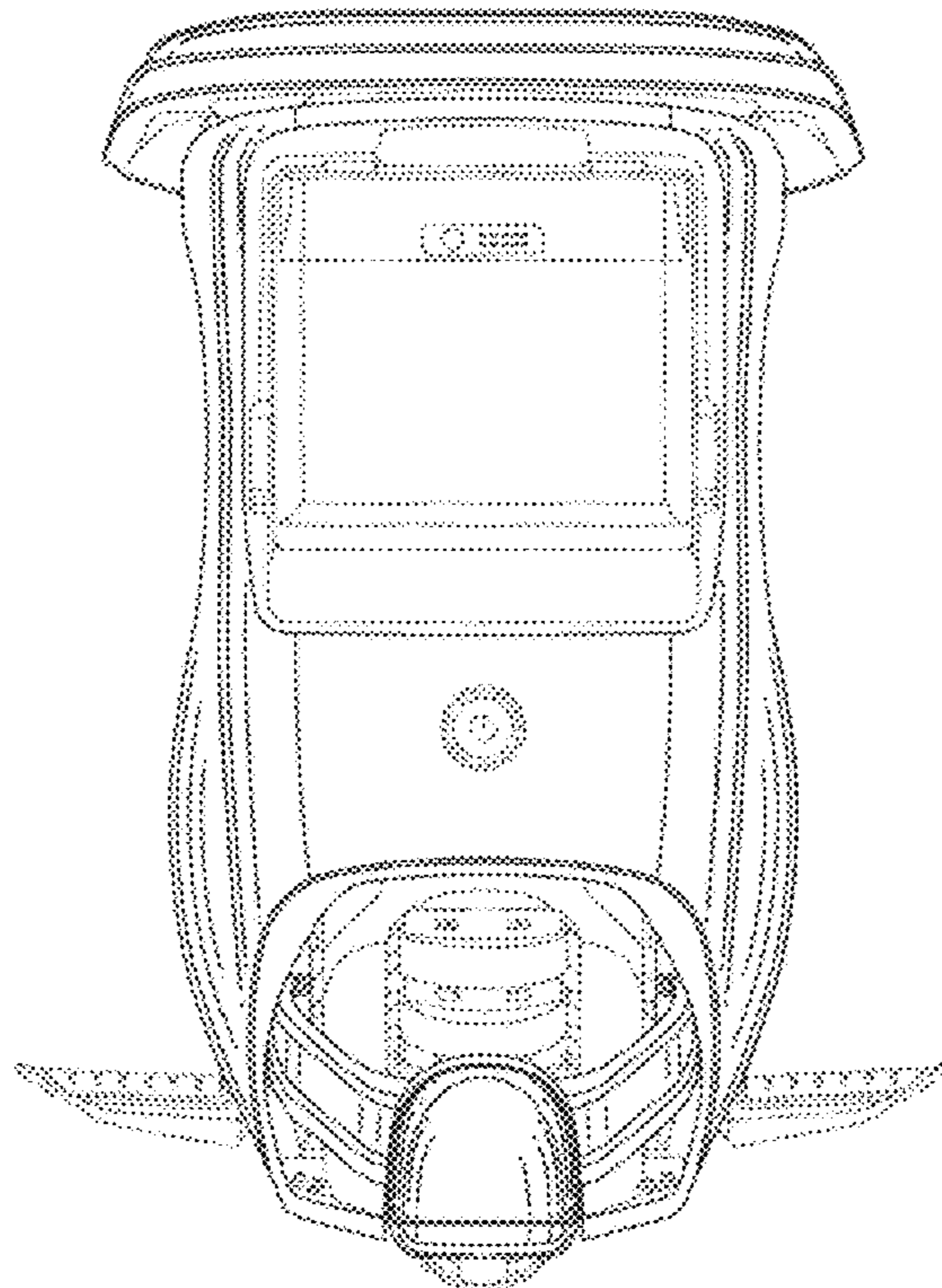




FIG.3

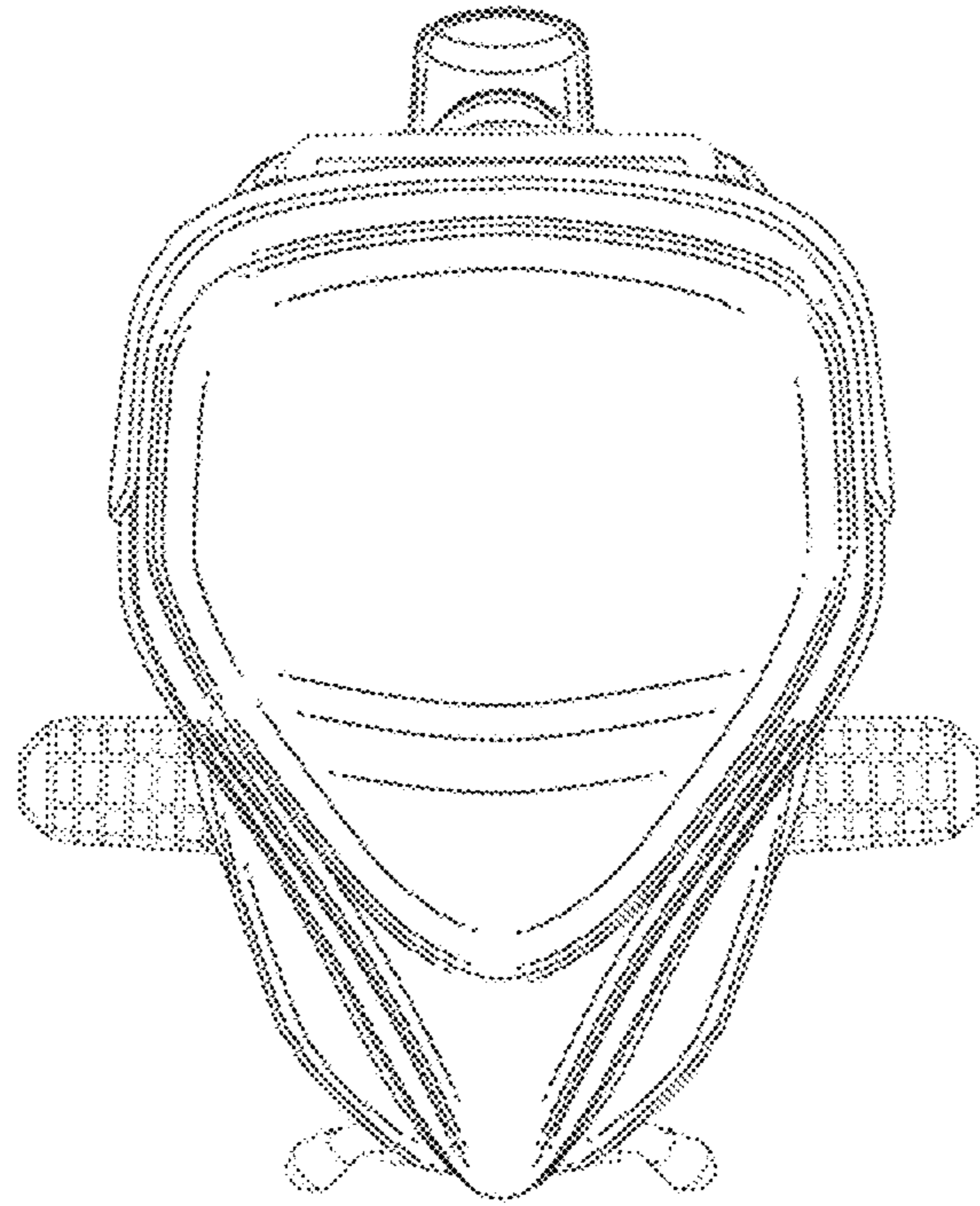


FIG.4

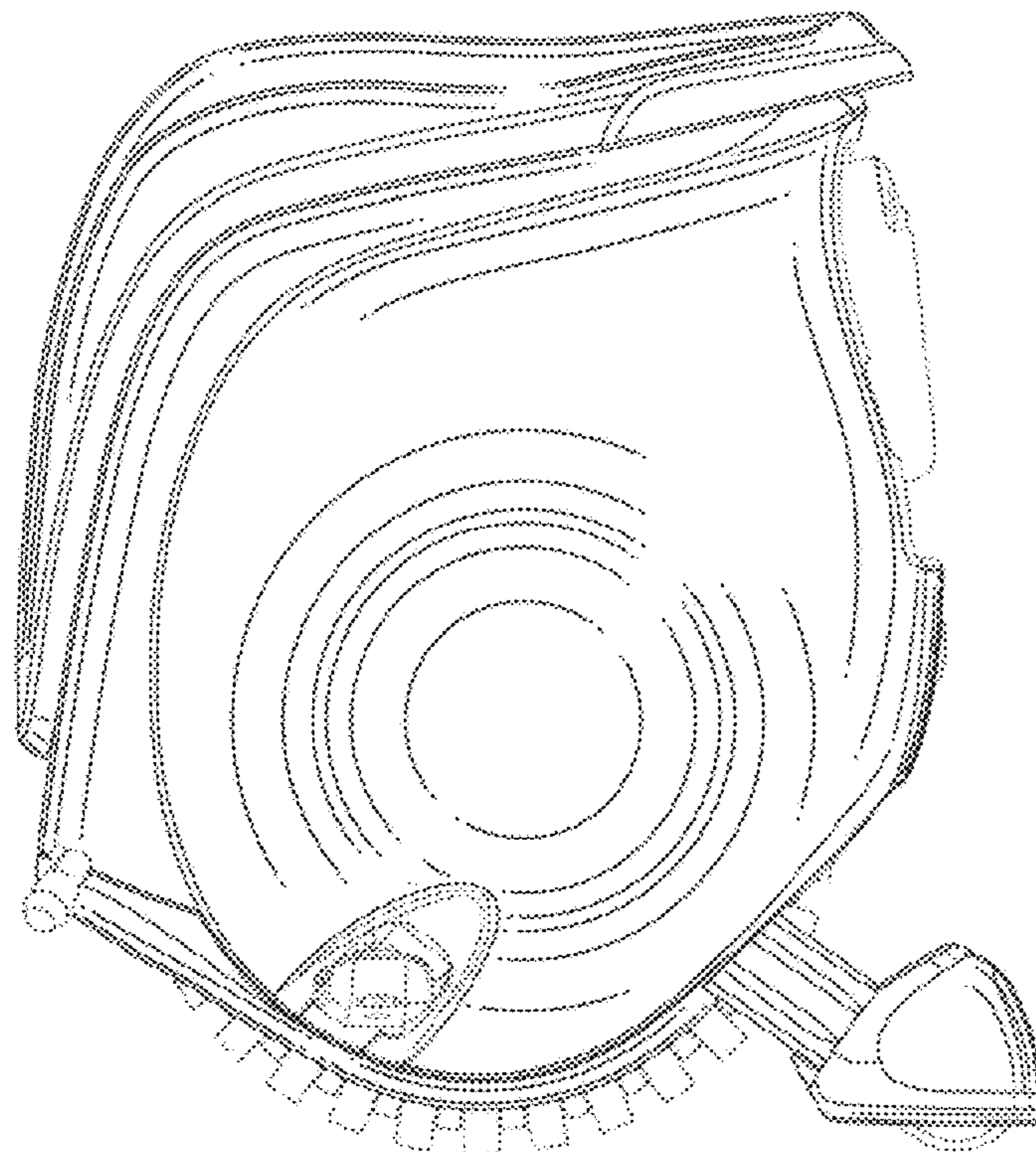


FIG.5

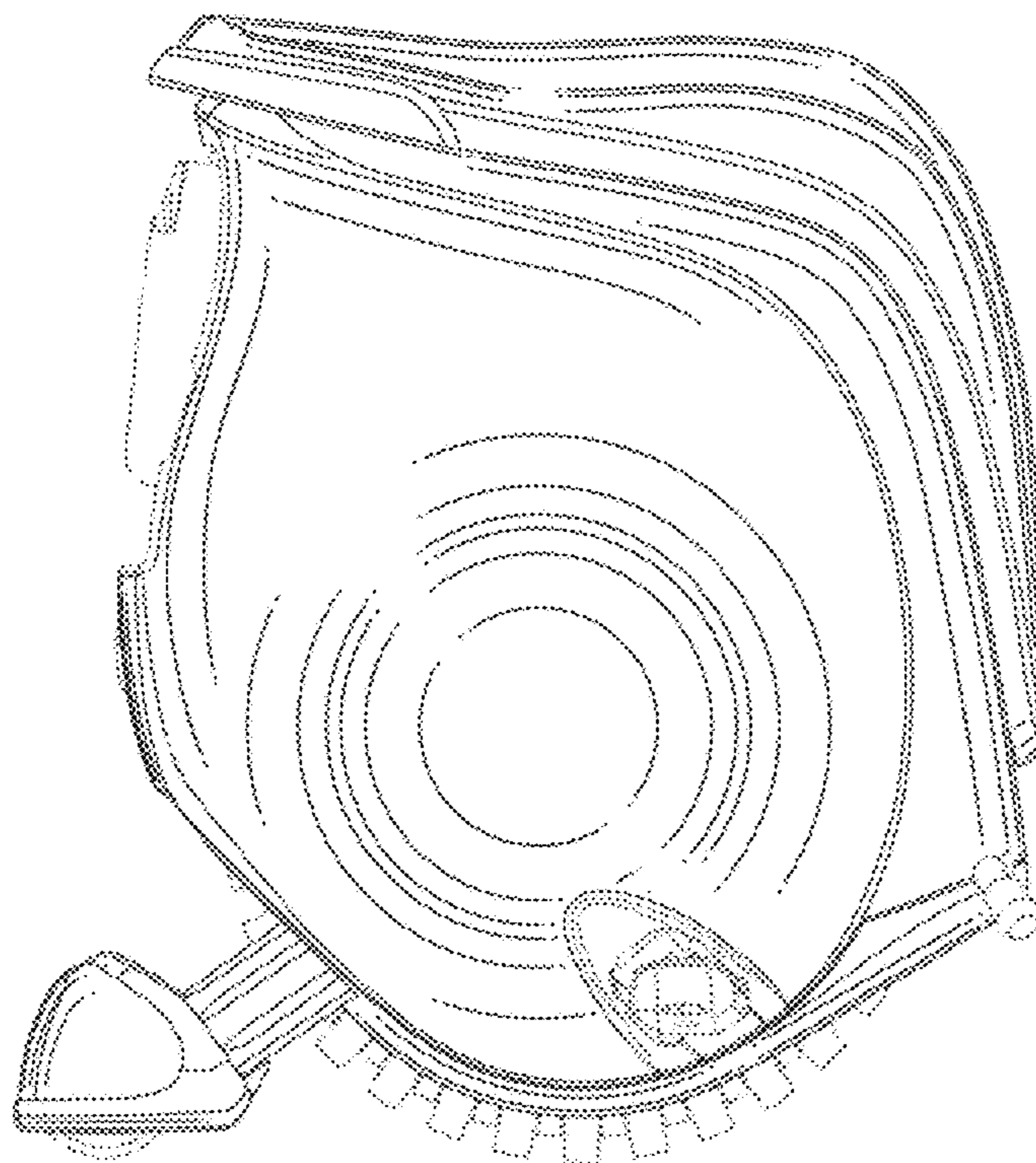


FIG.6

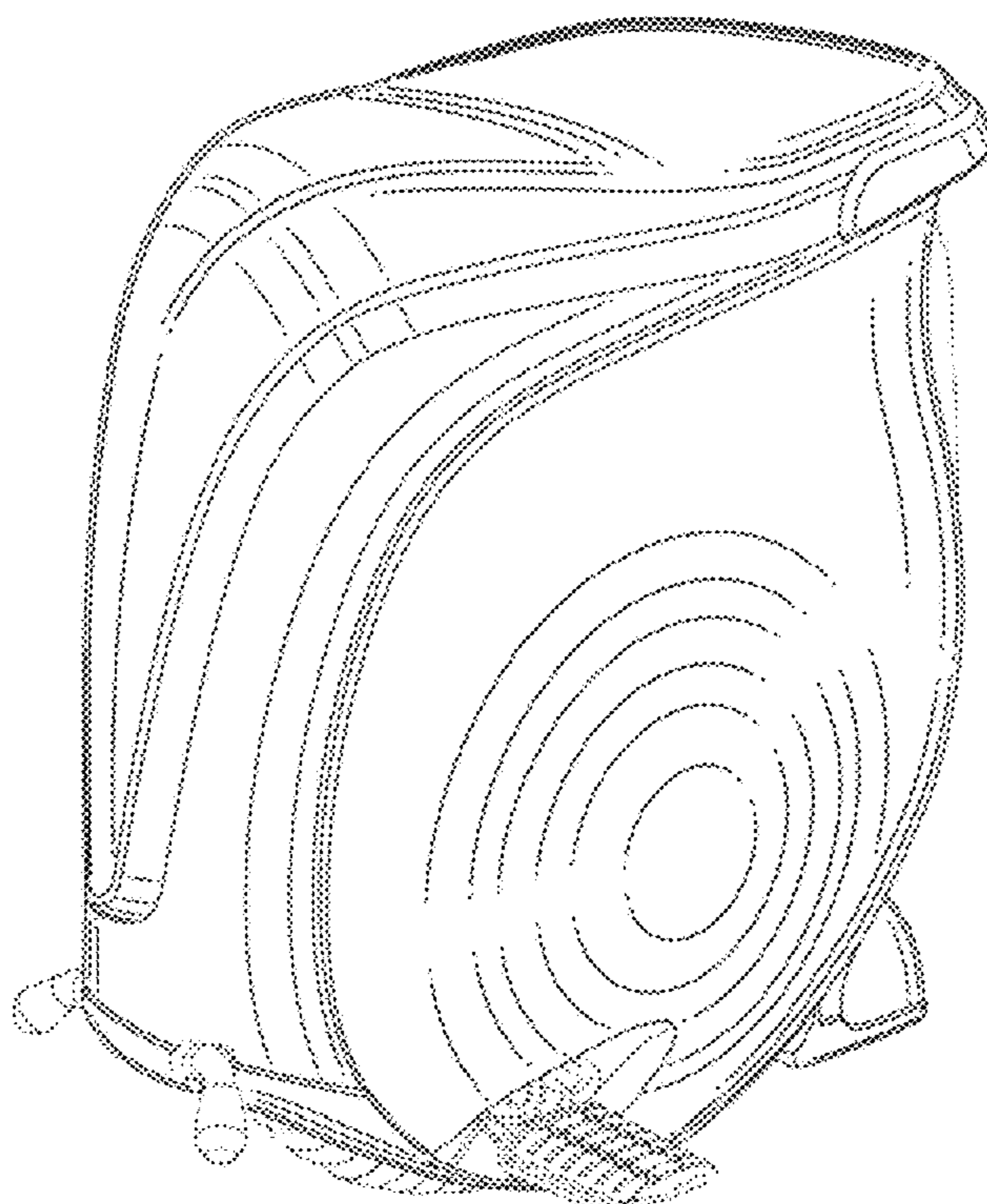


FIG. 7

