



US00D890023S

(12) **United States Design Patent**
Wu

(10) **Patent No.:** **US D890,023 S**

(45) **Date of Patent:** **** Jul. 14, 2020**

(54) **BUCKLE**

(71) Applicant: **Shaoyun Wu**, Shenzhen (CN)

(72) Inventor: **Shaoyun Wu**, Shenzhen (CN)

(73) Assignee: **GREEN INSYNC LIMITED**,
Shenzhen

(**) Term: **15 Years**

(21) Appl. No.: **29/673,099**

(22) Filed: **Dec. 12, 2018**

(51) **LOC (12) Cl.** **02-07**

(52) **U.S. Cl.**
USPC **D11/234**

(58) **Field of Classification Search**
USPC ... D11/30, 95-100, 101, 105-110, 116, 132,
D11/222, 223, 226, 228, 230, 231, 232,
D11/233, 237, 238; D14/485, 486;
D2/883, 884; D8/387
CPC .. A44C 7/00; A44C 7/002; A44B 1/14; A44B
1/02; A44B 1/20; A44B 1/00
See application file for complete search history.

(56) **References Cited**

U.S. PATENT DOCUMENTS

D290,589 S * 6/1987 Watanabe D11/234
D479,812 S * 9/2003 Calvani D11/234
D544,401 S * 6/2007 Fendi D11/234

D571,550 S * 6/2008 Valle D2/946
D611,873 S * 3/2010 Wolfgang D11/94
D637,519 S * 5/2011 Coffman D11/234
D647,000 S * 10/2011 Kerker D11/234
D682,736 S * 5/2013 Ng D11/234
D683,262 S * 5/2013 Fitzpatrick D11/218
D708,549 S * 7/2014 Kao D11/234
D766,775 S * 9/2016 Stegmann D11/231
D787,981 S * 5/2017 Hahn D11/237
D799,371 S * 10/2017 Chan D11/216
D816,545 S * 5/2018 Kelleghan D11/218
D827,215 S * 8/2018 Kao D30/139
D868,624 S * 12/2019 Paik D11/218

* cited by examiner

Primary Examiner — Brandon M Rosati

Assistant Examiner — John A Voytek

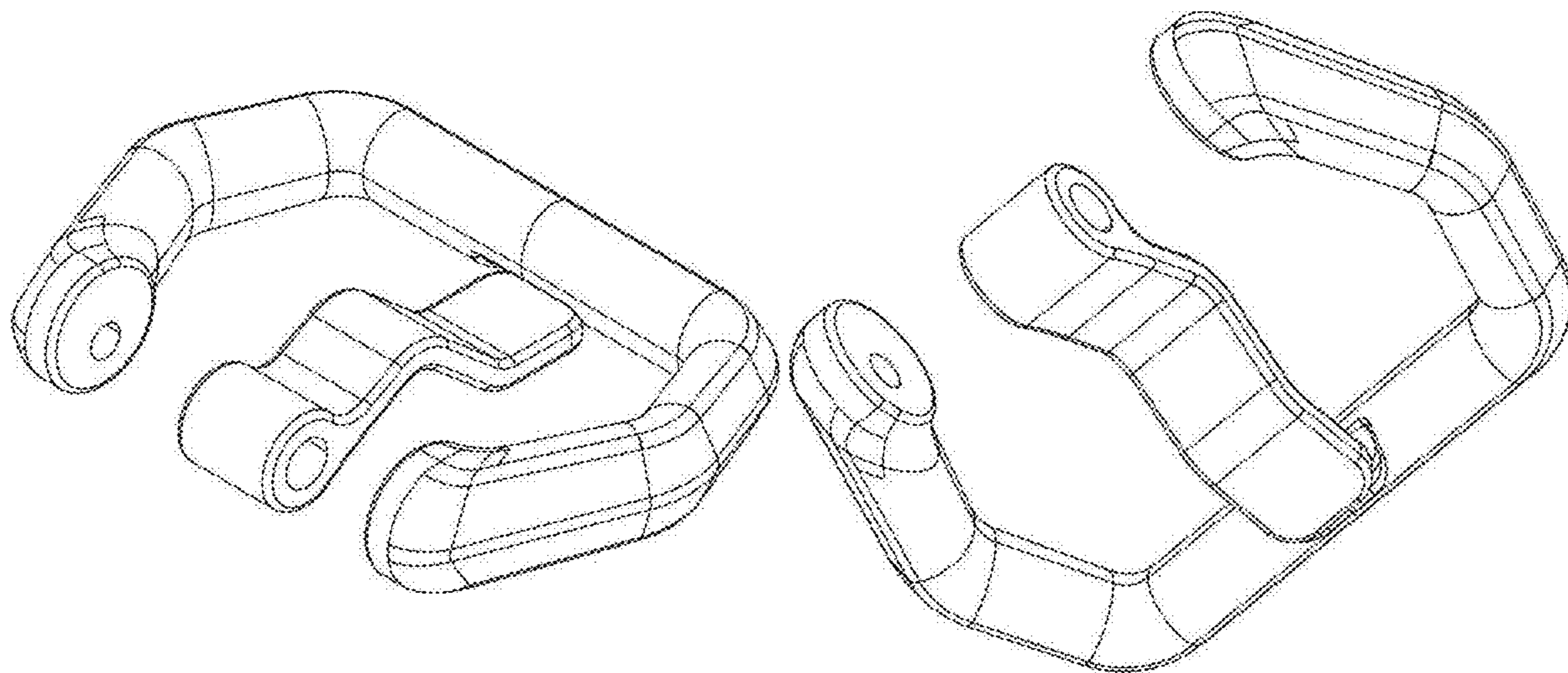
(57) **CLAIM**

The ornamental design for a buckle, as shown and described.

DESCRIPTION

FIG. 1 is a perspective view of a buckle showing my new design;
FIG. 2 is a perspective view of a buckle showing my new design;
FIG. 3 is a top plan view thereof;
FIG. 4 is a rear elevational view thereof;
FIG. 5 is a bottom plan view thereof;
FIG. 6 is a right side view thereof;
FIG. 7 is a front elevational view thereof; and,
FIG. 8 is a left side view thereof.

1 Claim, 8 Drawing Sheets



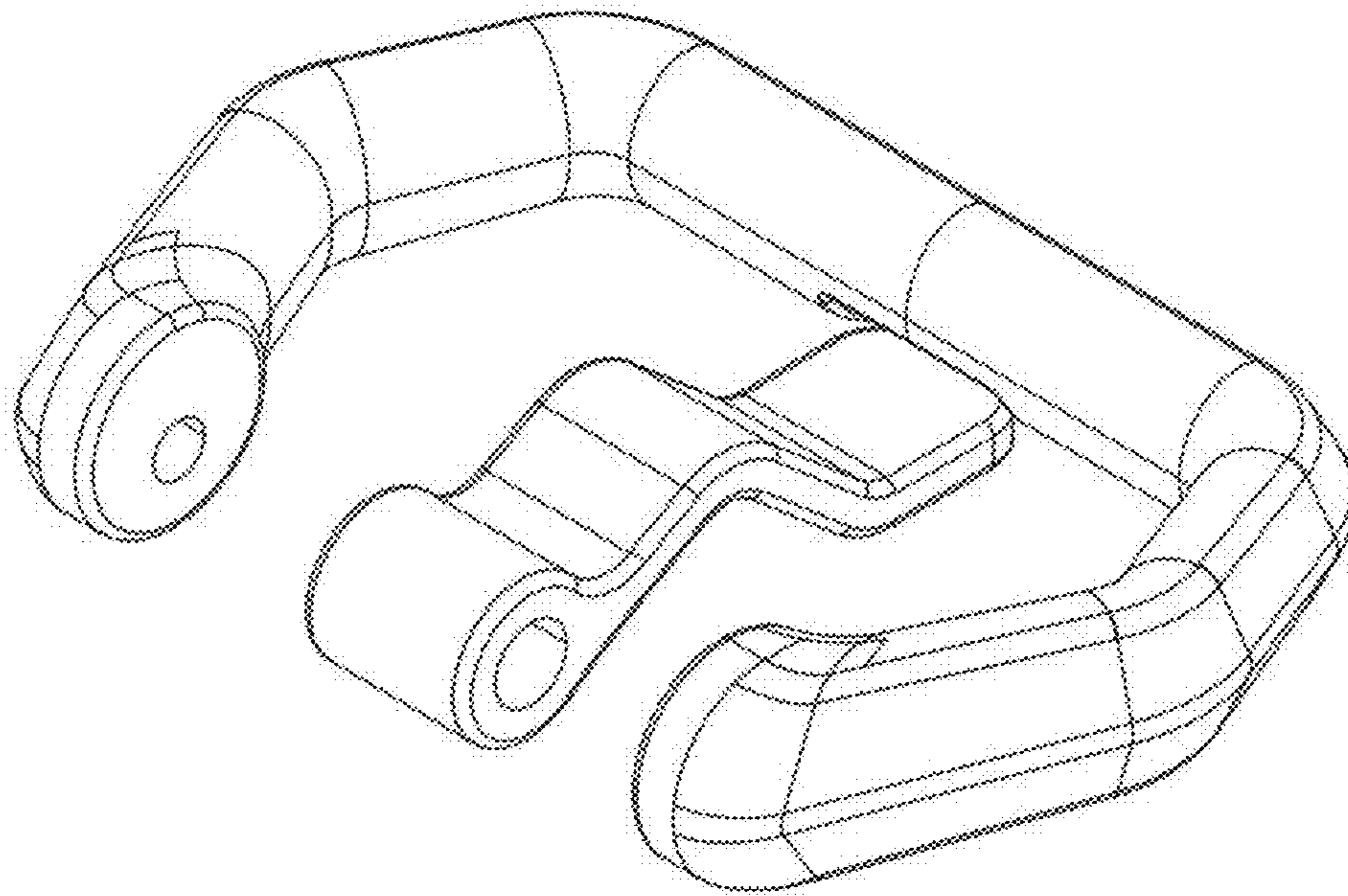


FIG.1

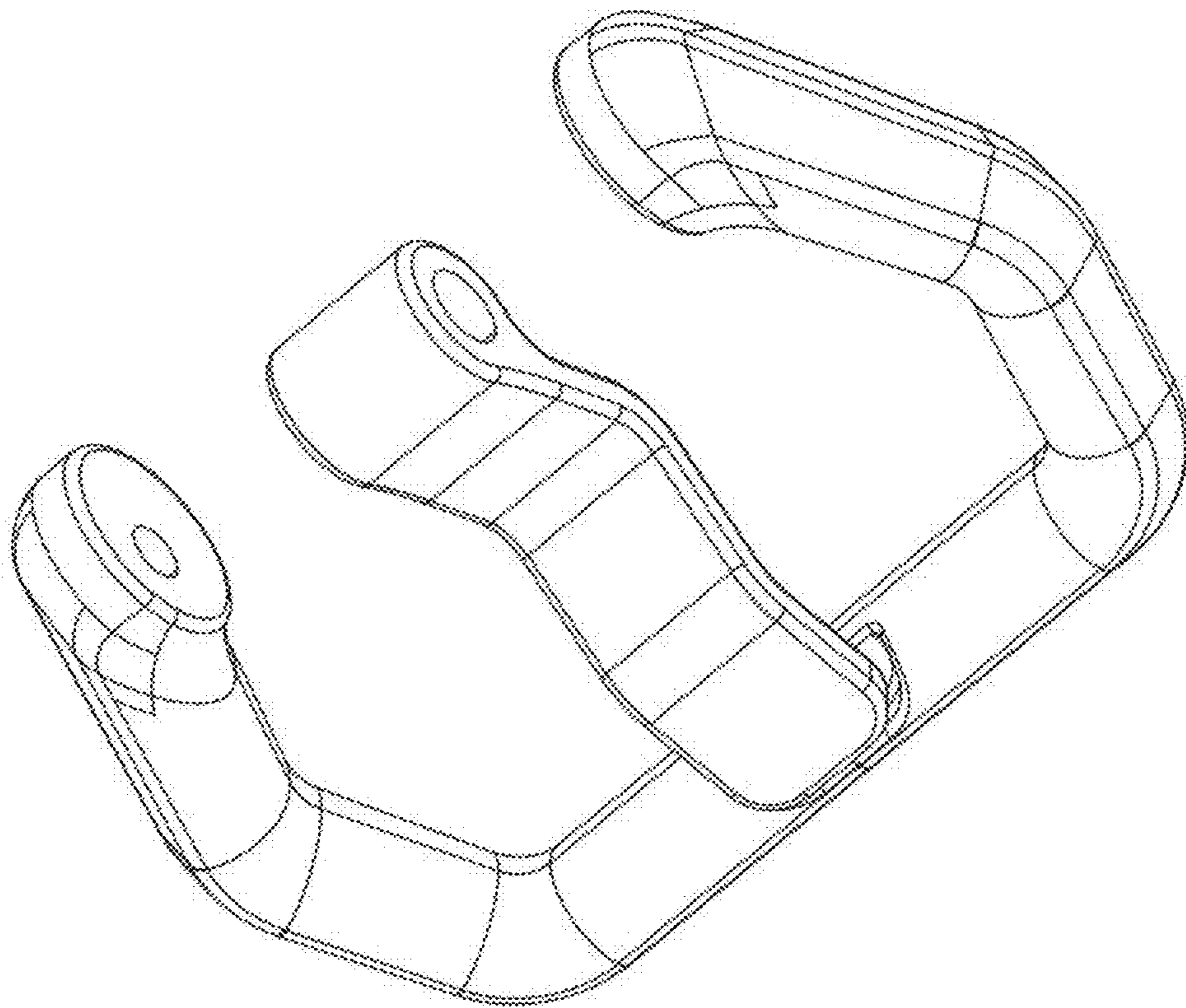


FIG.2

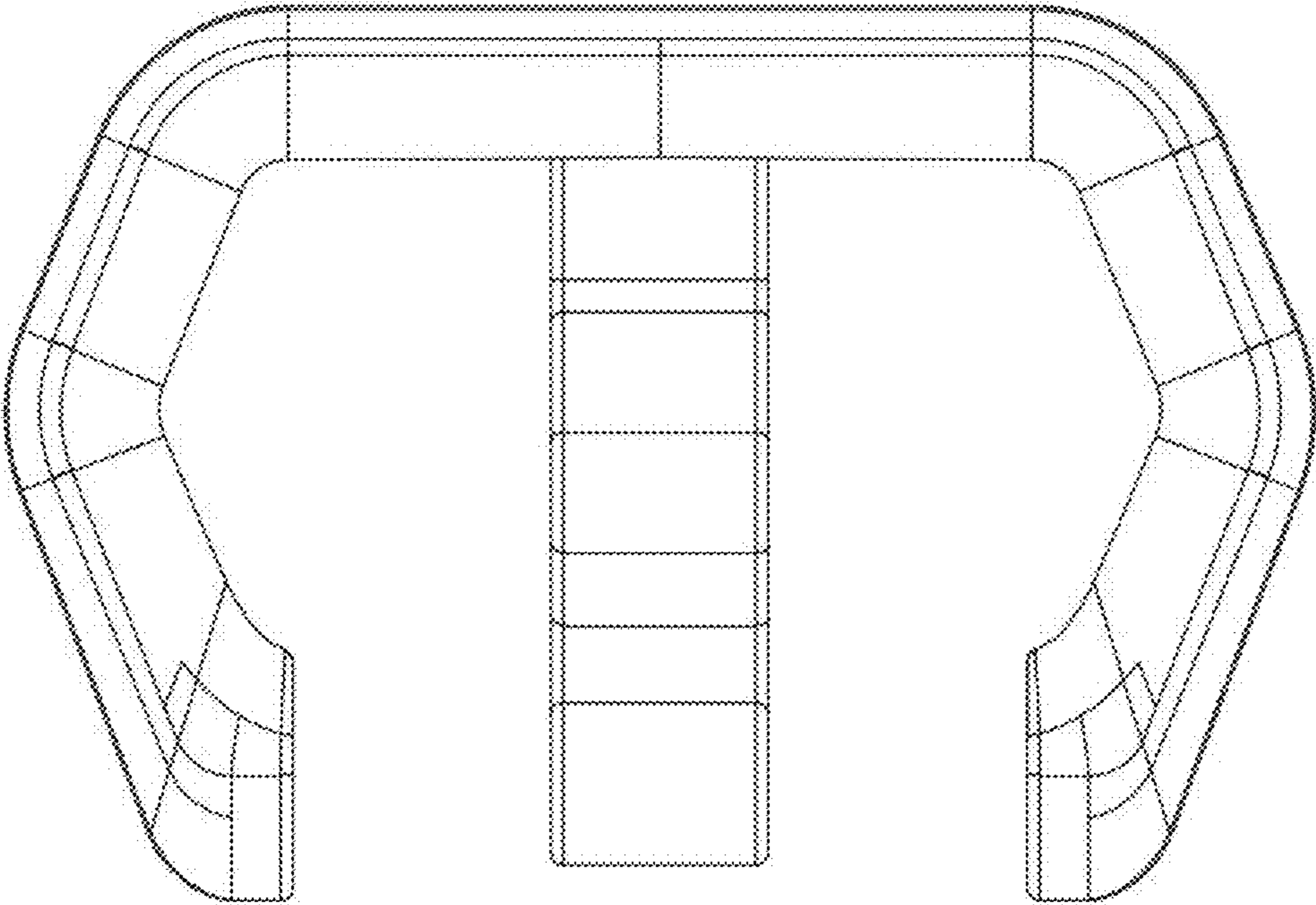


FIG.3

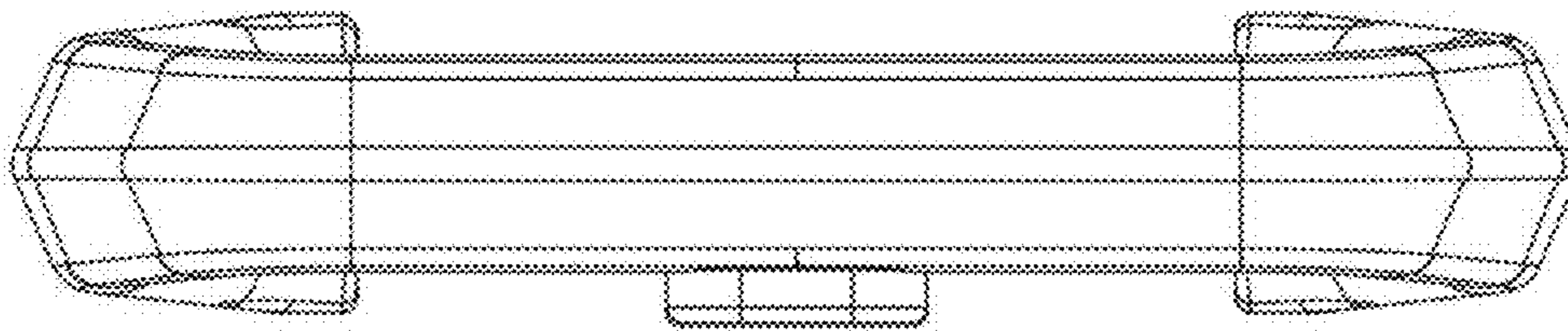


FIG.4

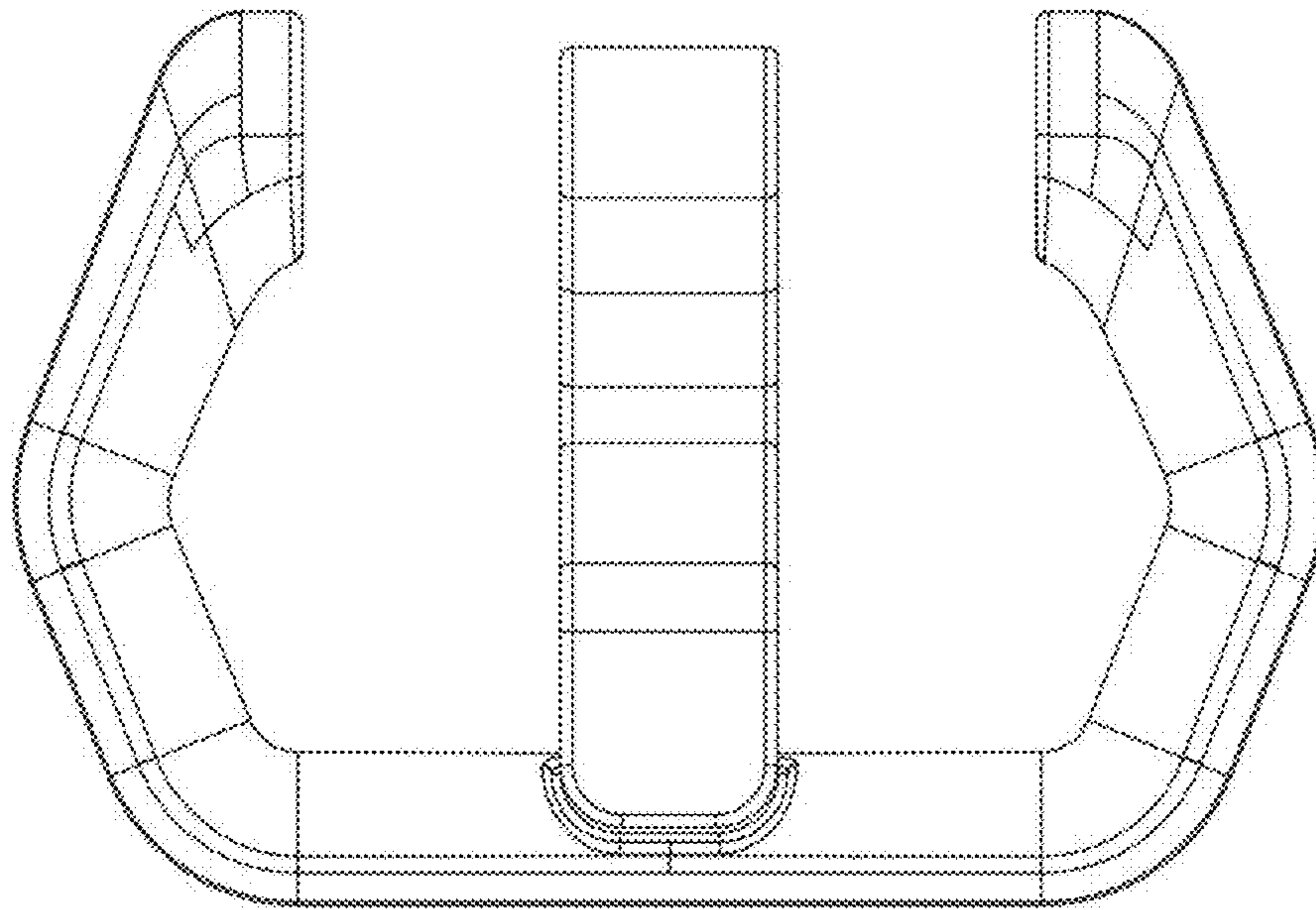


FIG. 5

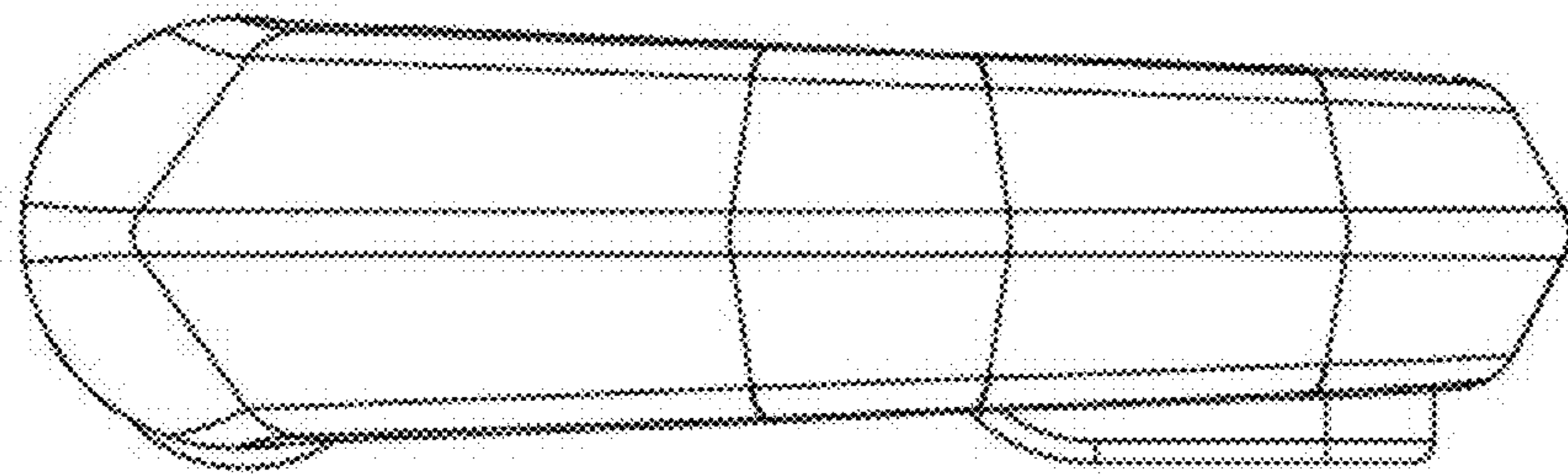


FIG.6

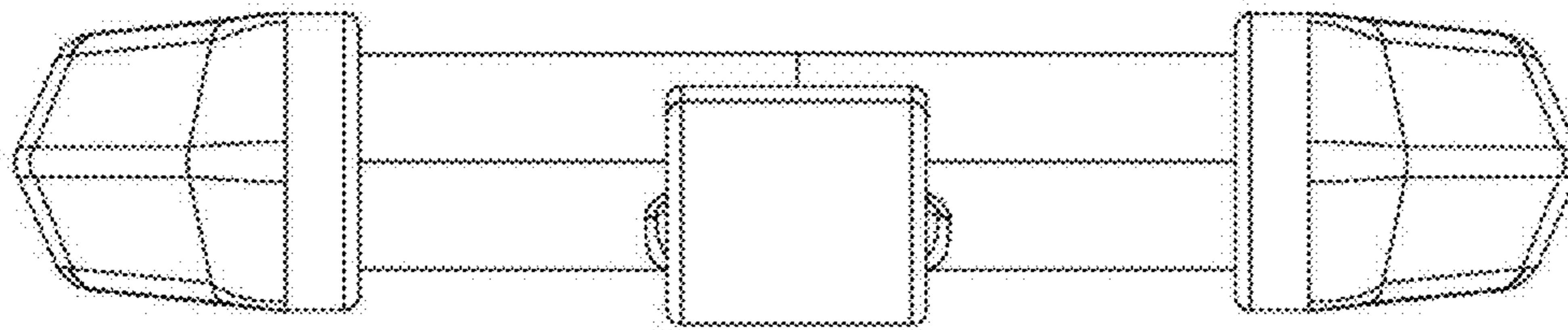


FIG. 7

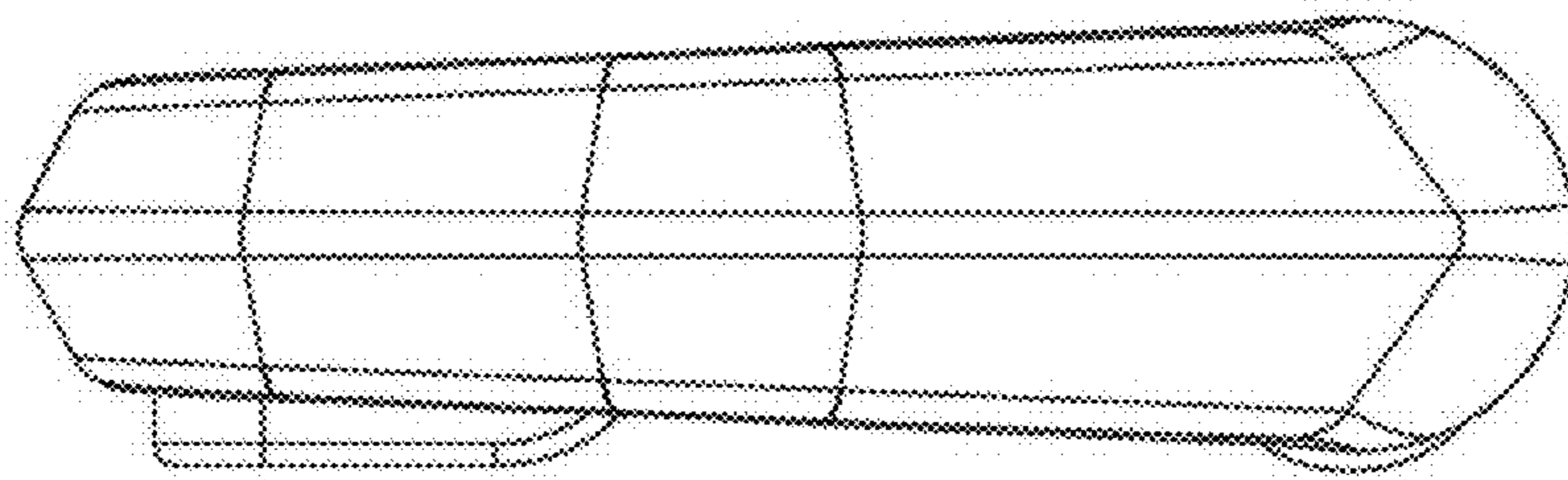


FIG.8