



US00D890022S

(12) **United States Design Patent** (10) **Patent No.:** **US D890,022 S**
Alcantra (45) **Date of Patent:** **** Jul. 14, 2020**

(54) **BELT BUCKLE**

(71) Applicant: **5.11, Inc.**, Manteca, CA (US)

(72) Inventor: **Cres Alcantra**, San Ramon, CA (US)

(73) Assignee: **5.11, Inc.**, Manteca, CA (US)

(**) Term: **15 Years**

(21) Appl. No.: **29/685,064**

(22) Filed: **Mar. 26, 2019**

(51) **LOC (12) Cl.** **02-07**

(52) **U.S. Cl.**
USPC **D11/218**

(58) **Field of Classification Search**
USPC D11/201–203, 209–210, 213–217,
D11/229–237, 200, 208, 212, 218;
D30/139, 152, 153; D10/32;
D2/624–640, 705, 706, 709; D8/44, 349,
D8/354, 356, 395; D3/215, 216, 222
CPC A41F 1/006; A41F 1/00; A41F 15/002;
A41F 1/002; F41C 33/041; F41C 33/046;
A41C 3/04; A41C 3/02; A41C 3/065;
A41C 3/00; A44B 11/2596; A44B 11/005;
A44B 11/04; A44B 11/2588; A44B
11/266; A44B 11/006; A44B 11/06; A44B
11/10; A44B 11/125; A44B 11/223; A44B
11/25; A44B 11/2584; A44B 11/263;
A44B 11/00; A44B 11/02; A44B 11/05;
A44B 11/14; A44B 11/18; A44B 11/22;
A44B 11/26; A44B 11/001; A44B
11/2503; A44B 11/2507; A44B 11/2526;
A44B 11/2553; A44B 11/2592; A44B
11/2519; A44B 11/2452; A44B 13/0023;
A44B 13/0047; A41D 1/215; A41D 1/06;
A41D 1/04; A41D 13/0012; A41D 27/00;
A41D 3/00; A45F 5/02; A45F 2003/001;
A45F 2200/0591;

(Continued)

(56) **References Cited**

U.S. PATENT DOCUMENTS

1,672,325 A * 6/1928 Kintz A41F 19/00
2/302
4,637,099 A * 1/1987 Kasai A44B 11/04
24/200
D328,044 S * 7/1992 Murai 24/169
(Continued)

OTHER PUBLICATIONS

TDU Low Pro Belt, no date available, [online], [site visited Mar. 12, 2020]. Retrieved from url: <https://www.511tactical.com/low-pro-tdu-belt.html> (Year: 2020).*

(Continued)

Primary Examiner — Michelle E. Wilson

Assistant Examiner — Tracey J Bell

(74) *Attorney, Agent, or Firm* — Knobbe, Martens, Olson & Bear LLP

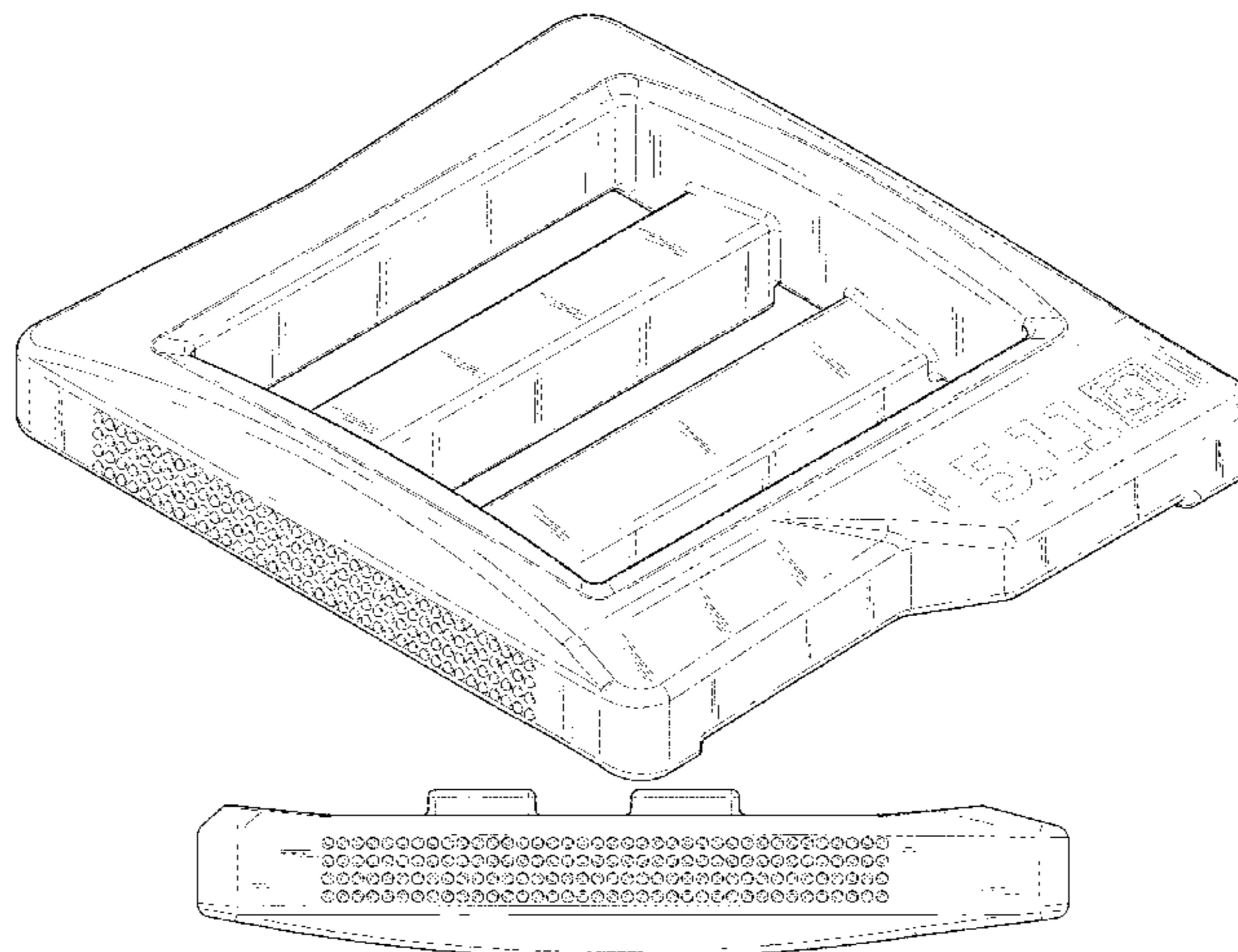
(57) **CLAIM**

The ornamental design for a belt buckle, as shown and described.

DESCRIPTION

FIG. 1 is a perspective view of a belt buckle.
FIG. 2 is another perspective view thereof.
FIG. 3 is a front view thereof.
FIG. 4 is a rear view thereof.
FIG. 5 is a sectional view thereof.
FIG. 6 is a left side view thereof.
FIG. 7 is a right side view thereof.
FIG. 8 is a top view thereof.
FIG. 9 is a bottom view thereof; and,
FIG. 10 is a perspective view thereof with a belt shown as environmental structure.
The broken lines in the drawings illustrate portions of the belt buckle which form no part of the claimed design or environmental structure that forms no part of the claimed design.

1 Claim, 7 Drawing Sheets



(58) **Field of Classification Search**

CPC A45F 3/06; A45F 2003/146; A45F 3/14;
G10K 5/00; A62B 18/08

See application file for complete search history.

(56) **References Cited**

U.S. PATENT DOCUMENTS

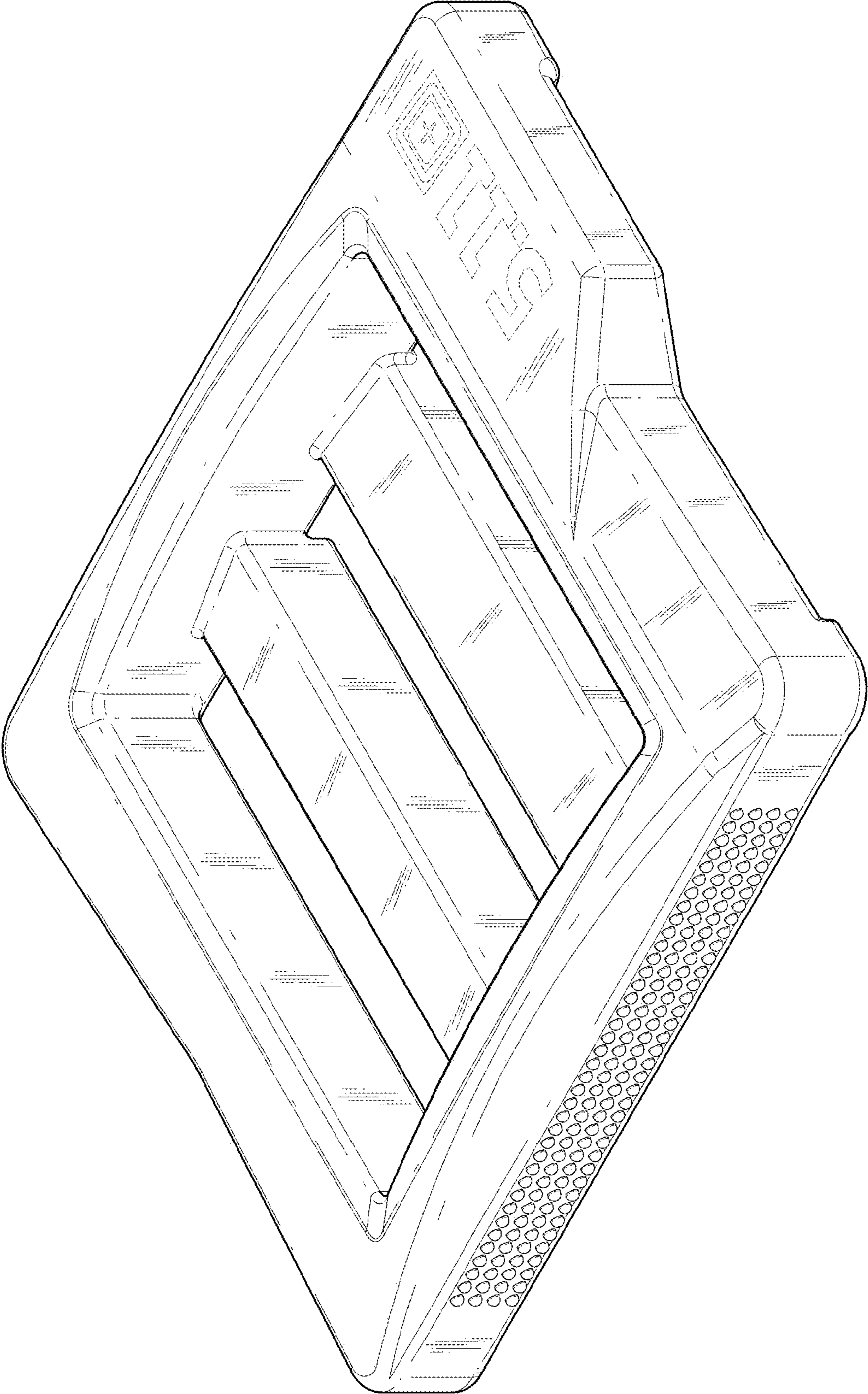
5,307,542 A * 5/1994 Murai A44B 11/04
24/169
5,774,947 A 7/1998 Anshcer
D536,280 S * 2/2007 Wemmer D11/218
D586,259 S * 2/2009 Kelleghan D11/218
D586,692 S * 2/2009 Nykoluk D11/218
D622,178 S * 8/2010 Kelleghan D11/201
D645,782 S * 9/2011 Nykoluk D11/218
D672,280 S * 12/2012 Schurian D11/218
8,898,870 B2 12/2014 Chan
D741,148 S * 10/2015 Liu D11/218
D782,364 S 3/2017 Nykoluk
D823,717 S 7/2018 Ho
D847,016 S * 4/2019 Stringham D11/218
D858,349 S * 9/2019 Ishii D11/218

OTHER PUBLICATIONS

Enniu Tactical Belt, Oct. 22, 2019, [online], [site visited Mar. 12, 2020]. Retrieved from url:https://www.gearbest.com/women-s-belts/pp_009796993753.html (Year: 2019).*
<https://www.firsttactical.com/products/range-belt-1-5>.

* cited by examiner

FIG. 1



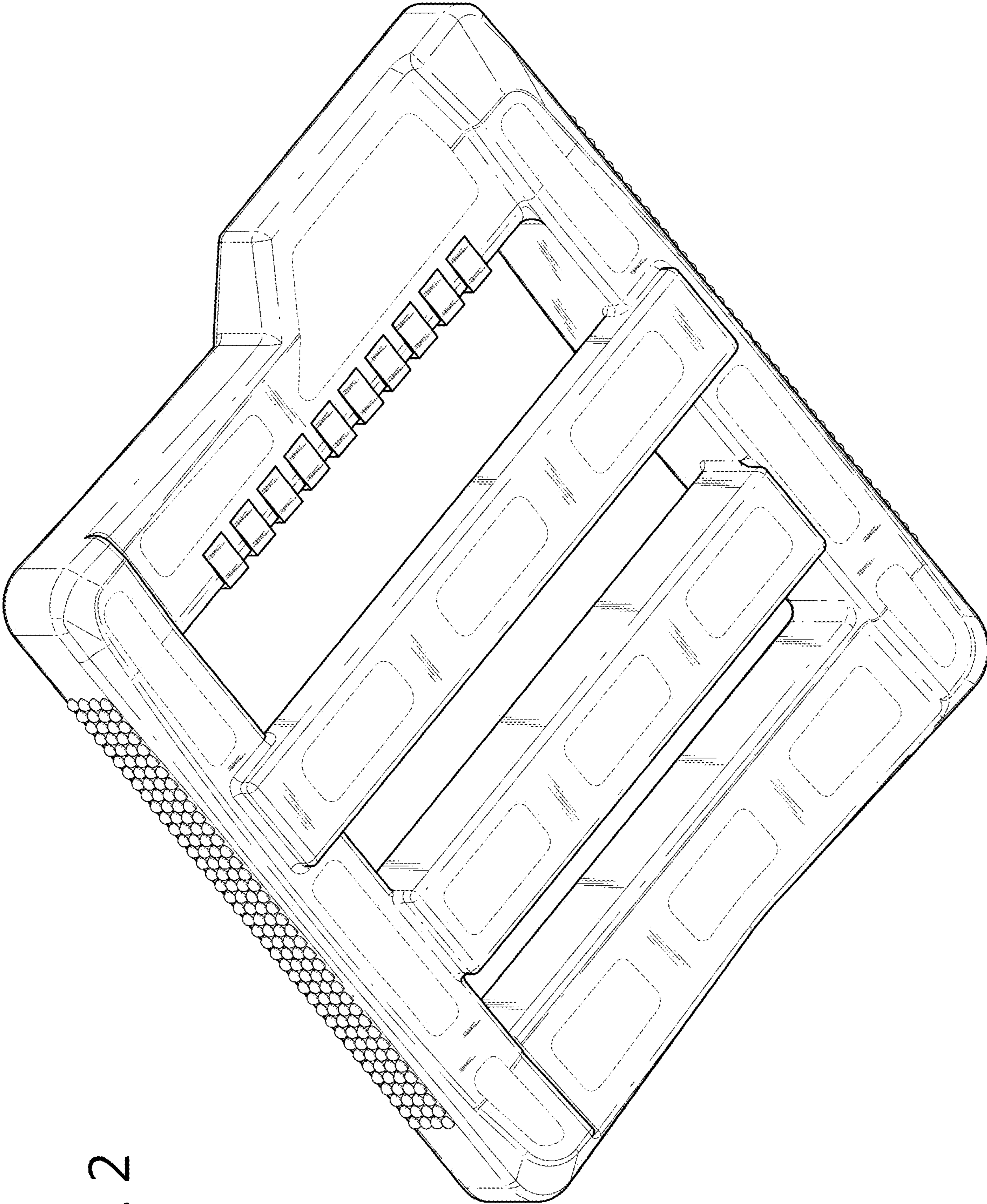


FIG. 2

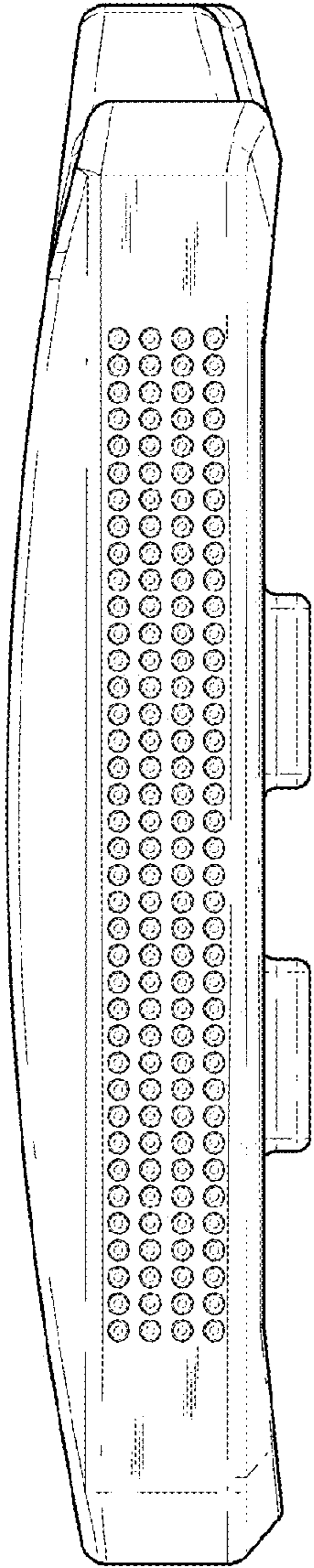


FIG. 3

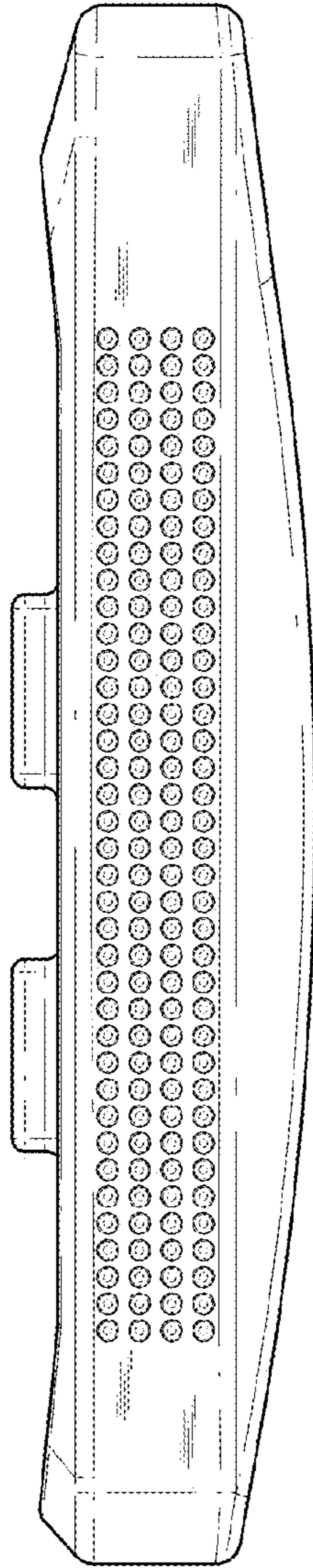


FIG. 4

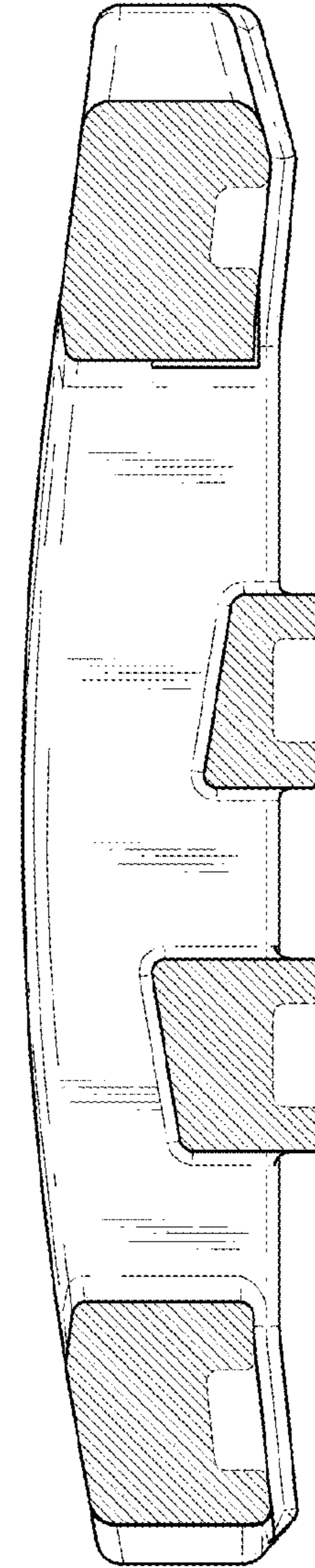


FIG. 5

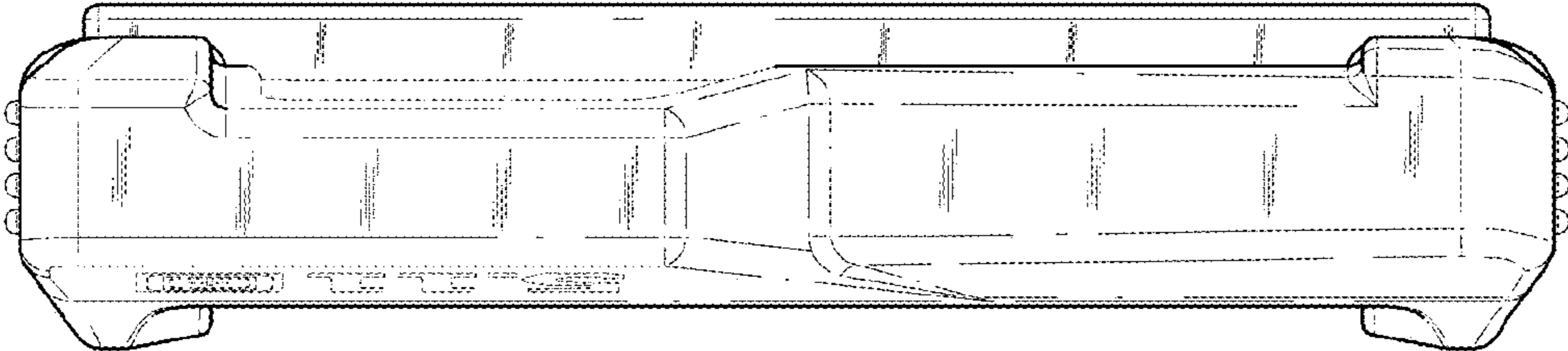


FIG. 6

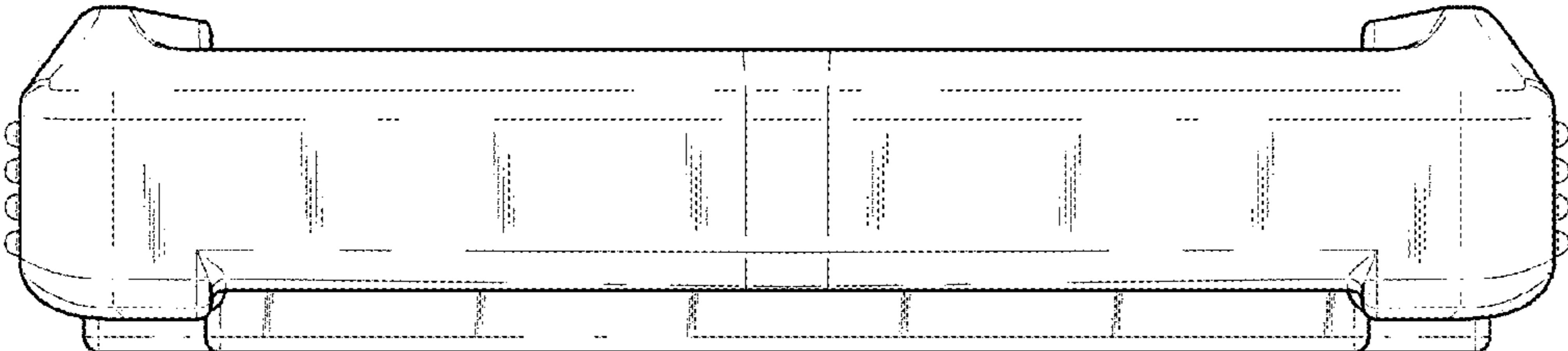


FIG. 7

FIG. 8

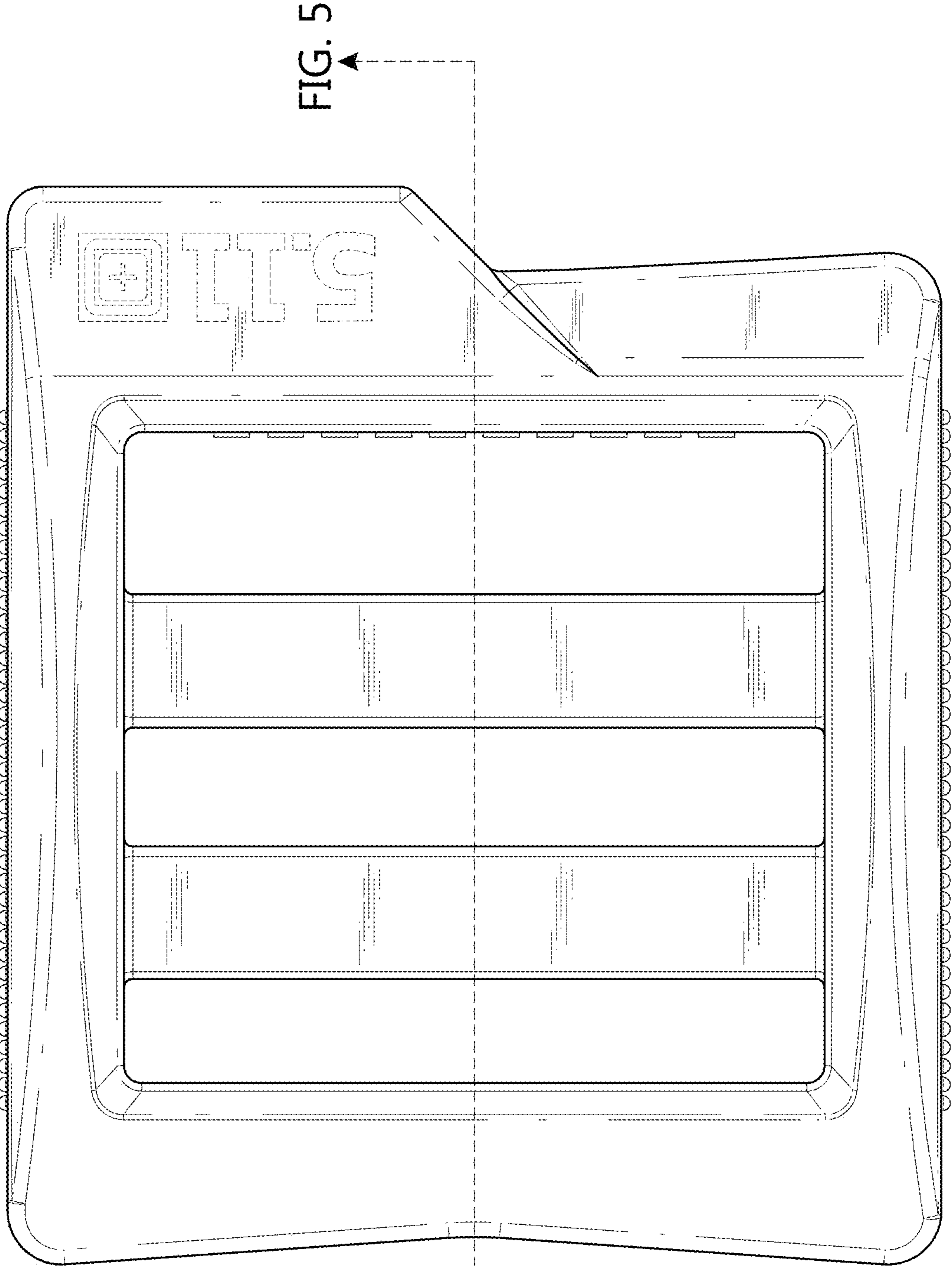


FIG. 9

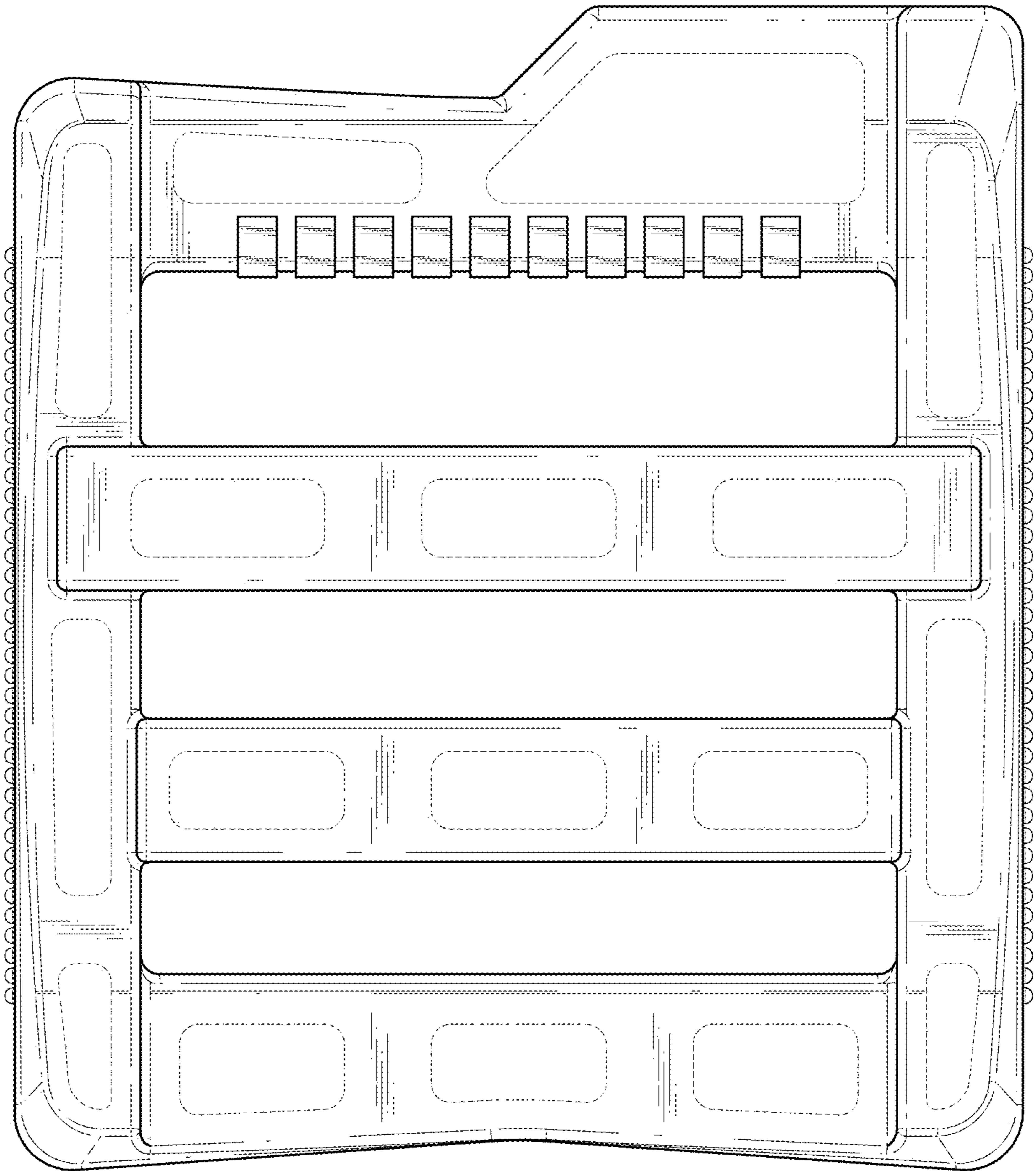


FIG. 10

