



US00D890021S

(12) **United States Design Patent**  
**Burke**

(10) **Patent No.:** **US D890,021 S**

(45) **Date of Patent:** **\*\* Jul. 14, 2020**

(54) **RETRACTABLE LANYARD WITH LOOP**

(71) Applicant: **TY-FLOT, INC.**, Manchester, NH (US)

(72) Inventor: **Craig Andrew Burke**, Neutral Bay (AU)

(73) Assignee: **Pure Safety Group, Inc.**, Pasadena, TX (US)

(\*\*) Term: **15 Years**

(21) Appl. No.: **29/633,041**

(22) Filed: **Jan. 11, 2018**

(51) **LOC (12) Cl.** ..... **02-07**

(52) **U.S. Cl.**  
USPC ..... **D11/215; D3/215**

(58) **Field of Classification Search**  
USPC ..... D3/208–212, 215, 216, 228, 243, 290,  
D3/318, 327, 328; D8/349, 358;  
D11/200, 208, 212, 214, 215, 216, 218,  
D11/220; D16/339; D24/184, 190;  
D29/101.1–101.5, 103, 122, 124, 129,  
D29/130

CPC .... A45F 5/004; A45F 5/021; A45F 2005/006;  
A62B 35/00; A62B 35/0006; A62B  
35/005; A62B 35/0037; A62B 35/0043;  
A62B 35/0068; A45C 13/30; A45C  
13/185; A45C 2013/306; A44C 5/0007;  
A44C 5/0038; A44B 19/50

See application file for complete search history.

(56) **References Cited**

**U.S. PATENT DOCUMENTS**

D279,459 S \* 7/1985 On ..... D10/15  
D343,319 S \* 1/1994 Phillips ..... D24/145  
D352,928 S \* 11/1994 Ford ..... D13/120  
D377,447 S \* 1/1997 Blye ..... D8/358  
D415,998 S \* 11/1999 Brown ..... D13/154  
D448,651 S \* 10/2001 Kovacik ..... D8/358

D449,974 S \* 11/2001 Stekelenburg ..... D8/358  
D450,446 S \* 11/2001 Morrone ..... D10/104.1  
D456,242 S \* 4/2002 Stekelenburg ..... D8/358  
D468,189 S \* 1/2003 Kovacik ..... D8/358  
RE40,379 E \* 6/2008 Hastings ..... D3/215  
D624,020 S \* 9/2010 Kovacik ..... D13/137.4  
D642,376 S \* 8/2011 Pennington ..... D3/215  
D648,522 S \* 11/2011 Gorman ..... D3/215  
D675,012 S \* 1/2013 Votel ..... D3/215  
D677,188 S \* 3/2013 Kalbach ..... D11/3  
D731,336 S \* 6/2015 Klemm ..... D10/72  
D794,429 S \* 8/2017 Wang ..... D8/359

(Continued)

*Primary Examiner* — Kevin K Rudzinski

*Assistant Examiner* — Richard Kearney

(74) *Attorney, Agent, or Firm* — Dicke, Billig & Czaja, PLLC

(57) **CLAIM**

The ornamental design for a retractable lanyard with loop, as shown and described.

**DESCRIPTION**

FIG. 1 is a perspective view of the retractable lanyard with loop showing my new design;

FIG. 2 is a perspective rotated view of the retractable lanyard with loop showing my new design;

FIG. 3 is a front elevation view of the retractable lanyard with loop showing my new design;

FIG. 4 is a rear elevation view of the retractable lanyard with loop showing my new design;

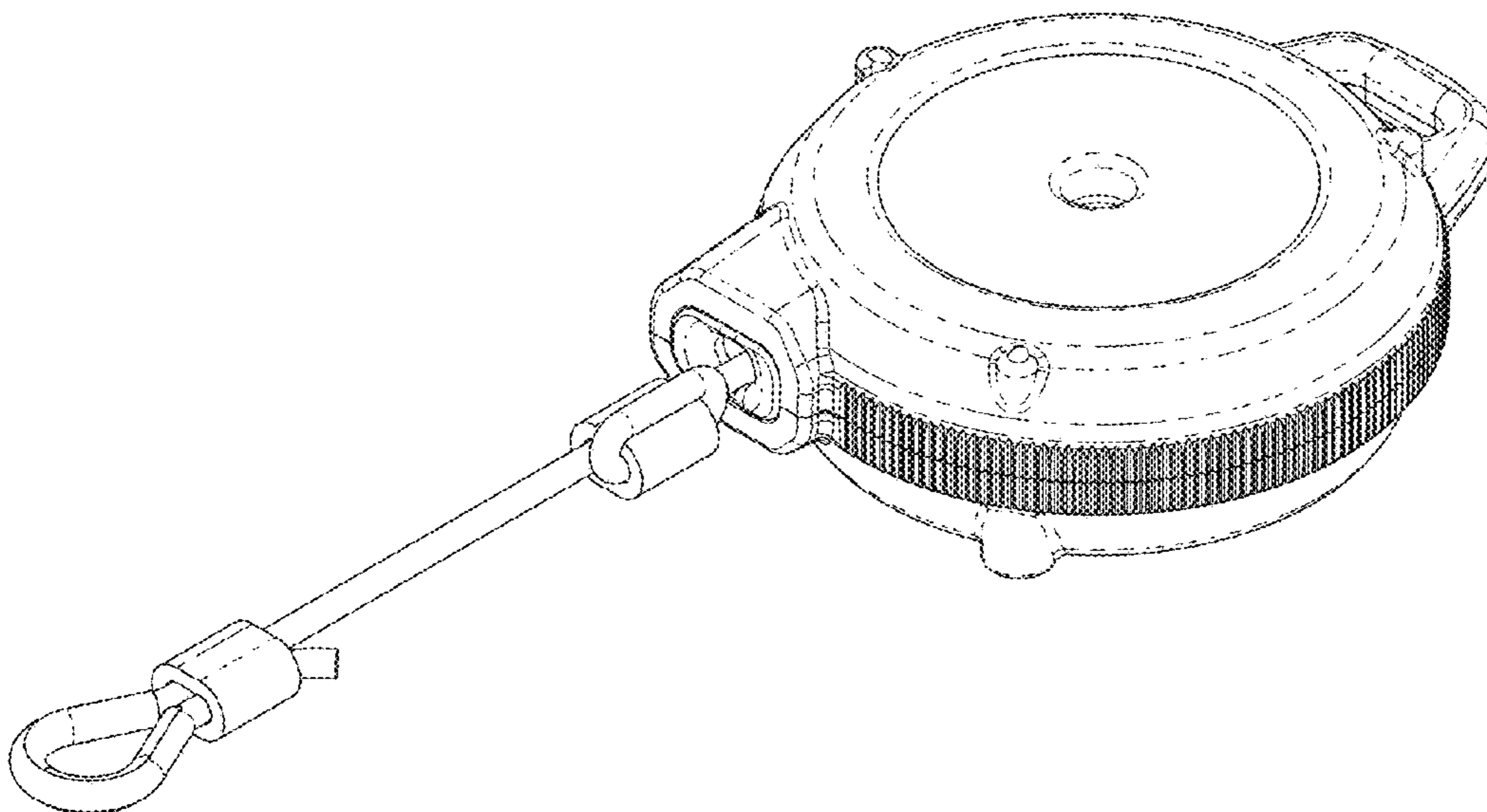
FIG. 5 is a side elevation view of the retractable lanyard with loop showing my new design;

FIG. 6 is a top view of the retractable lanyard with loop showing my new design; and,

FIG. 7 is a bottom view of the retractable lanyard with loop showing my new design.

The dash dash broken lines shown in drawing FIG. 7 illustrate portions of the retractable lanyard with loop and form no part of the claimed design.

**1 Claim, 7 Drawing Sheets**



(56)

**References Cited**

U.S. PATENT DOCUMENTS

2003/0113680 A1\* 6/2003 Genuise ..... A45F 5/004  
431/253  
2016/0346572 A1\* 12/2016 Choate ..... A62B 35/0093

\* cited by examiner

FIG. 1

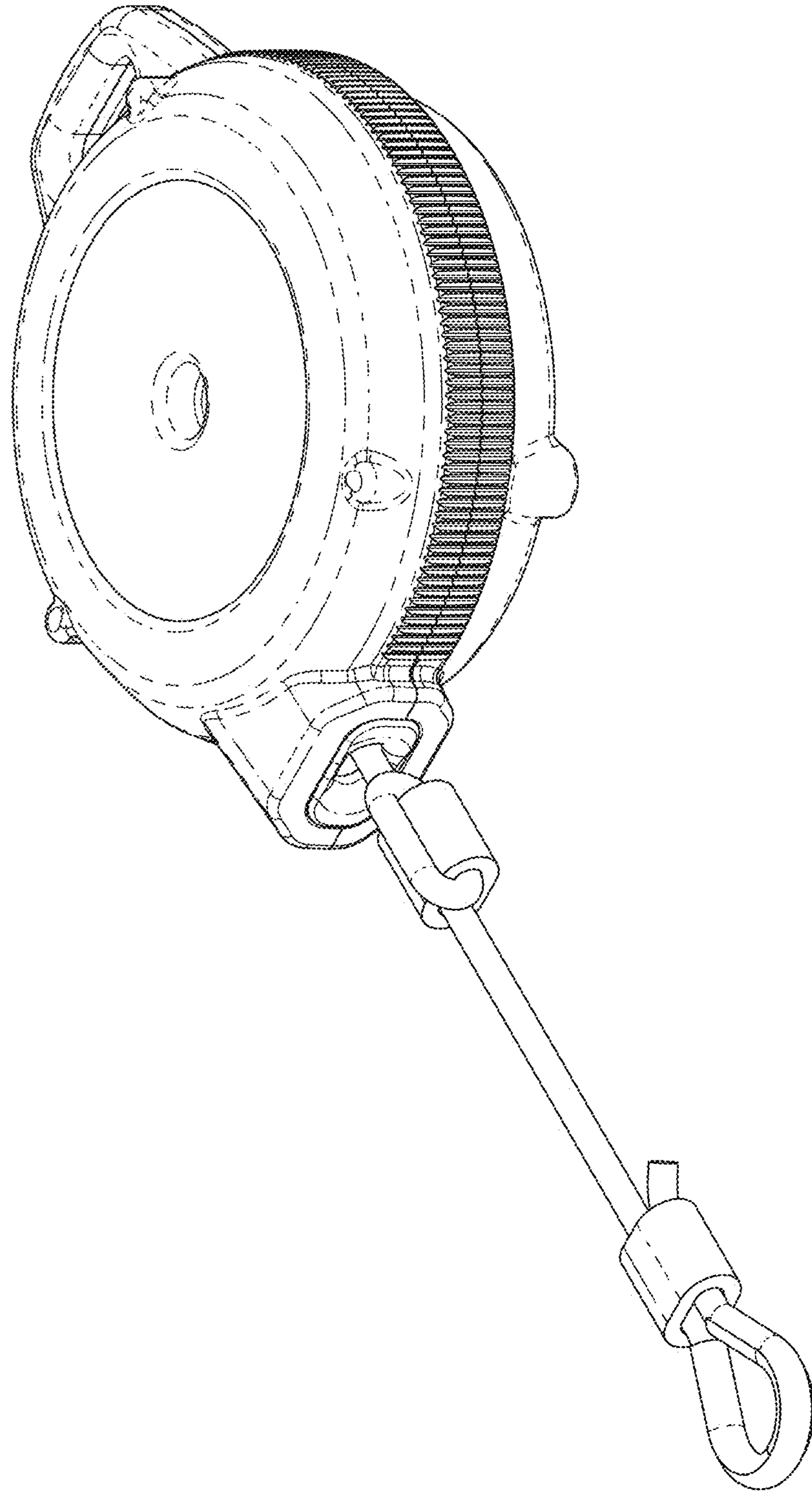


FIG. 2

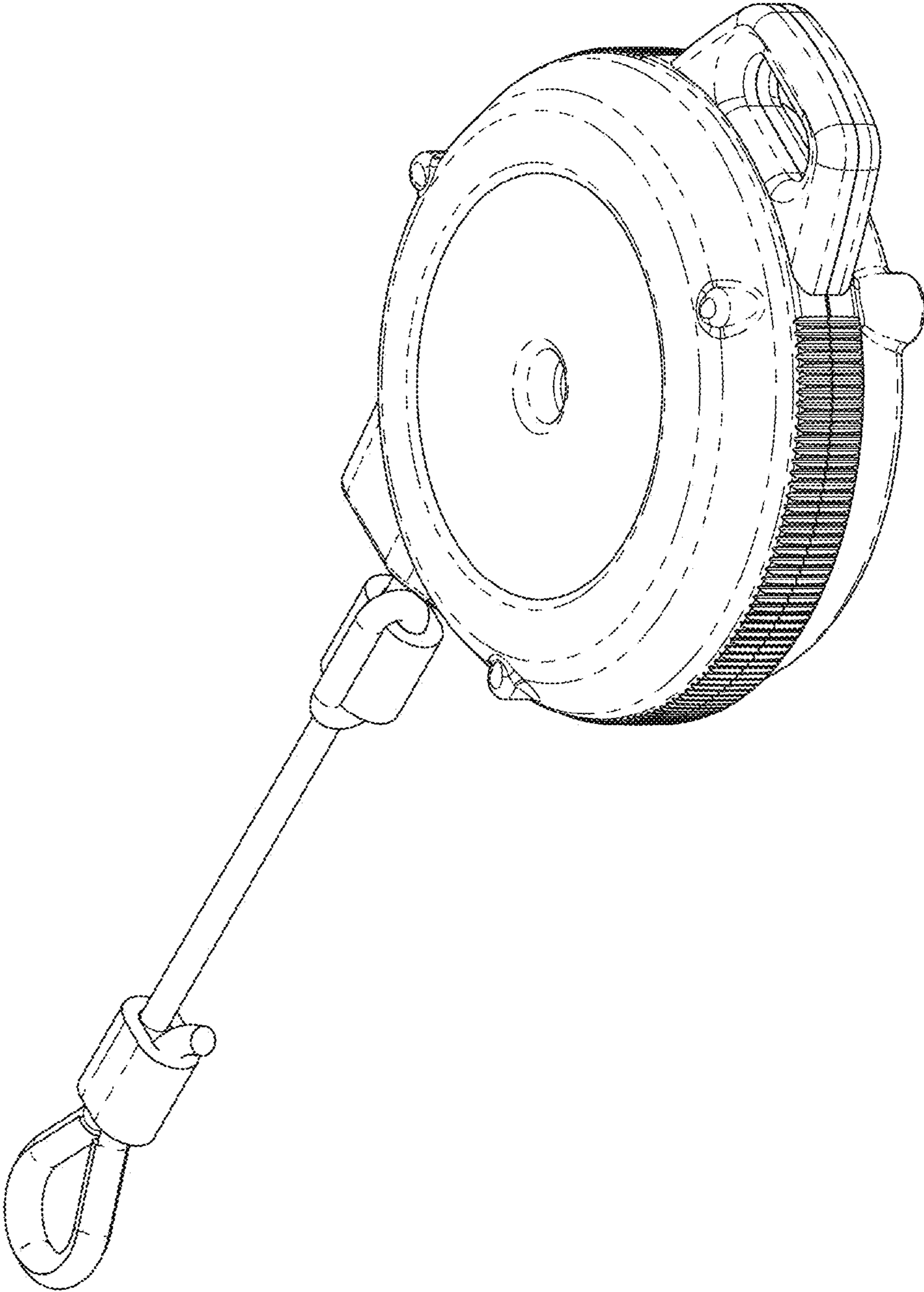


FIG. 3

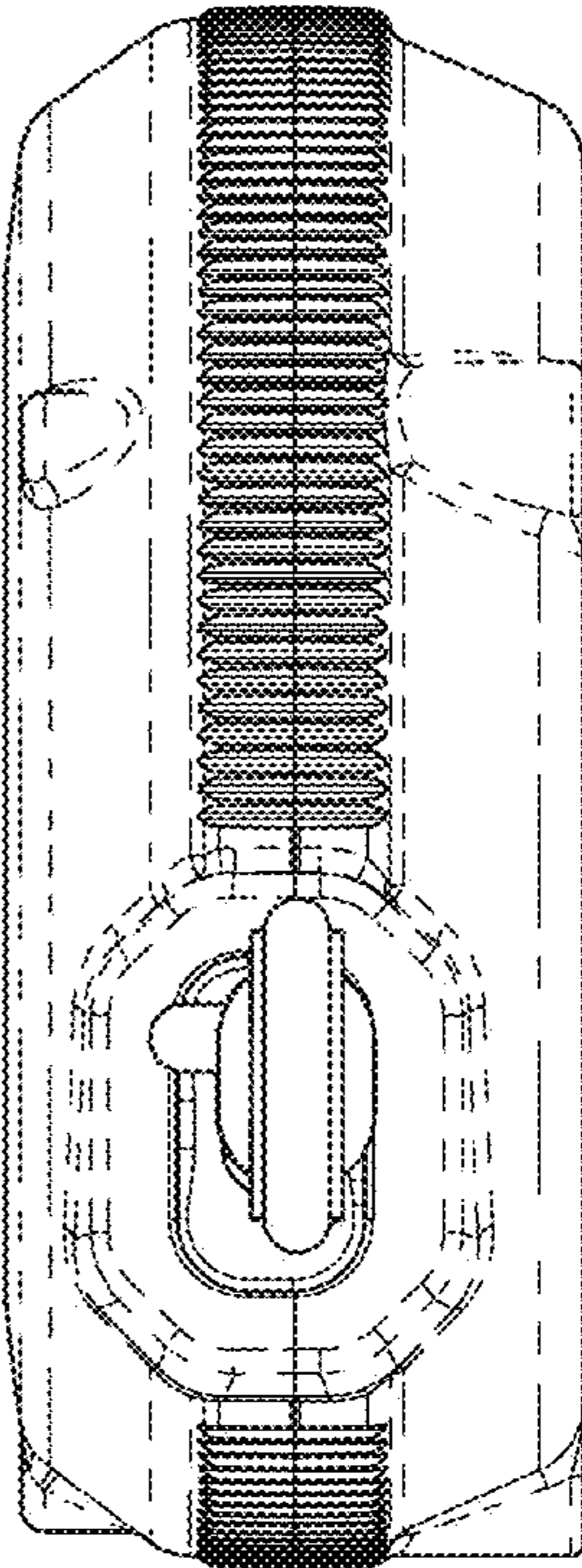


FIG. 4

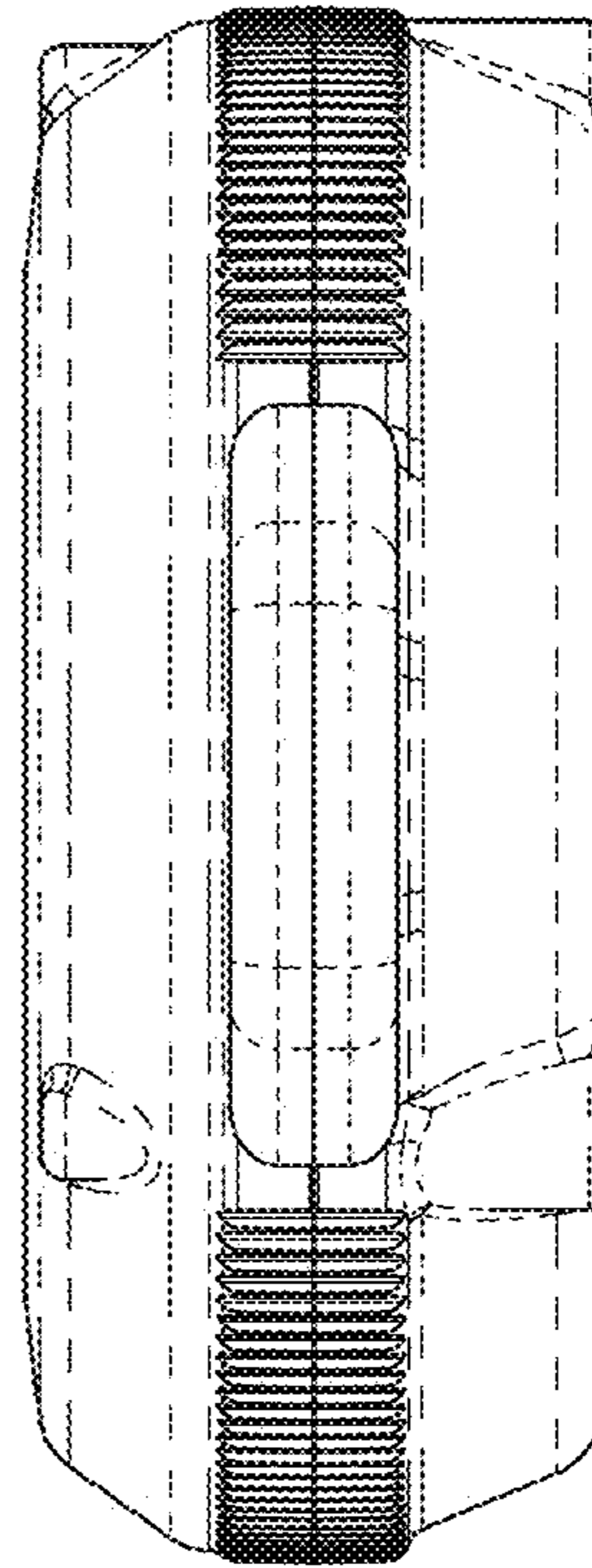
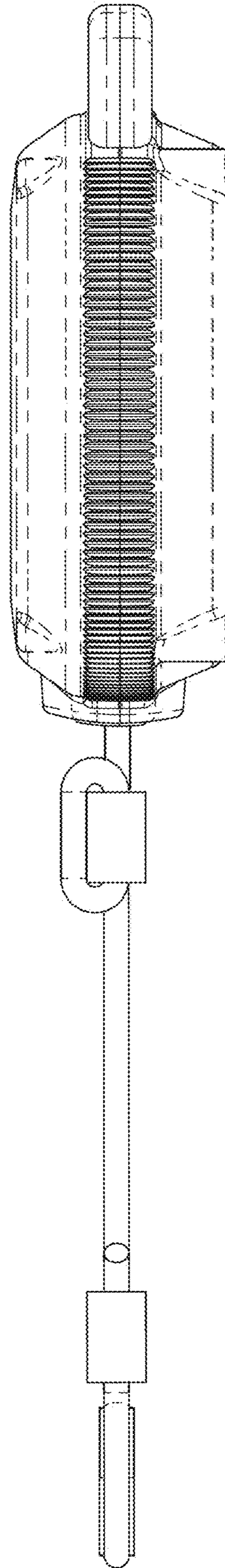


FIG. 5



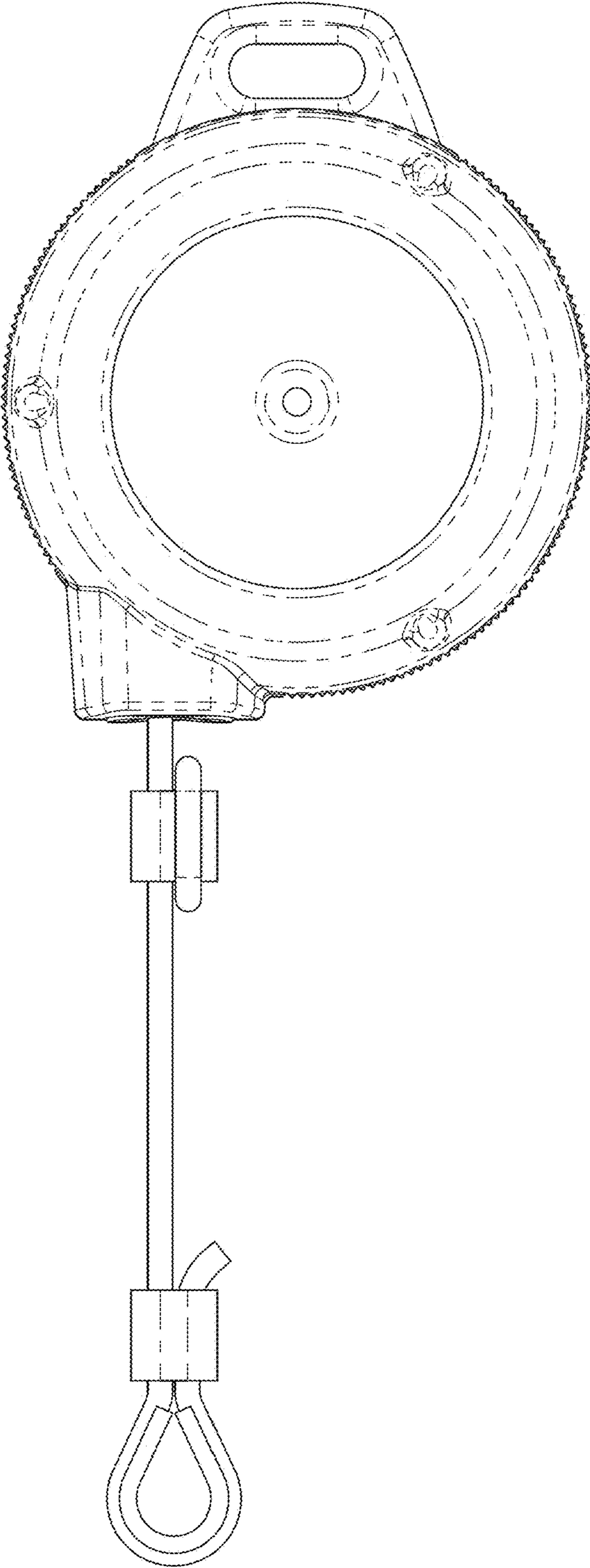


FIG. 6



FIG. 7

