

US00D890020S

(12) **United States Design Patent**  
**Burke**

(10) **Patent No.:** **US D890,020 S**  
(45) **Date of Patent:** **\*\* \*Jul. 14, 2020**

- (54) **RETRACTABLE LANYARD**
- (71) Applicant: **TY-FLOT, INC.**, Manchester, NH (US)
- (72) Inventor: **Craig Andrew Burke**, Neutral Bay (AU)
- (73) Assignee: **Pure Safety Group, Inc.**, Pasadena, TX (US)
- (\*) Notice: This patent is subject to a terminal disclaimer.
- (\*\*) Term: **15 Years**
- (21) Appl. No.: **29/632,686**
- (22) Filed: **Jan. 9, 2018**
- (51) **LOC (12) Cl.** ..... **02-07**
- (52) **U.S. Cl.**  
USPC ..... **D11/215; D3/215**
- (58) **Field of Classification Search**  
USPC ..... D3/208–212, 215, 216, 228, 243, 290,  
D3/318, 327, 328; D8/349, 358;  
D11/200, 208, 212, 214, 215, 216, 218,  
D11/220; D16/339; D24/184, 190;  
D29/101.1–101.5, 103, 122, 124, 129,  
D29/130  
CPC .... A45F 5/004; A45F 5/021; A45F 2005/006;  
A62B 35/00; A62B 35/0006; A62B  
35/005; A62B 35/0037; A62B 35/0043;  
A62B 35/0068; A45C 13/30; A45C  
13/185; A45C 2013/306; A44C 5/0007;  
A44C 5/0038; A44B 19/50  
See application file for complete search history.

(56) **References Cited**

**U.S. PATENT DOCUMENTS**

- D279,459 S \* 7/1985 On ..... D10/15
- D343,319 S \* 1/1994 Phillips ..... D24/145
- D352,928 S \* 11/1994 Ford ..... D13/120

- D377,447 S \* 1/1997 Blye ..... D8/358
- D415,998 S \* 11/1999 Brown ..... D13/154
- D448,651 S \* 10/2001 Kovacik ..... D8/358
- D449,974 S \* 11/2001 Stekelenburg ..... D8/358
- D450,446 S \* 11/2001 Morrone ..... D10/104.1
- D456,242 S \* 4/2002 Stekelenburg ..... D8/358
- D468,189 S \* 1/2003 Kovacik ..... D8/358
- RE40,379 E \* 6/2008 Hastings ..... D3/215
- D624,020 S \* 9/2010 Kovacik ..... D13/137.4
- D642,376 S \* 8/2011 Pennington ..... D3/215
- D648,522 S \* 11/2011 Gorman ..... D3/215
- D675,012 S \* 1/2013 Votel ..... D3/215
- D677,188 S \* 3/2013 Kalbach ..... D11/3

(Continued)

*Primary Examiner* — Kevin K Rudzinski

*Assistant Examiner* — Richard Kearney

(74) *Attorney, Agent, or Firm* — Dicke, Billig & Czaja, PLLC

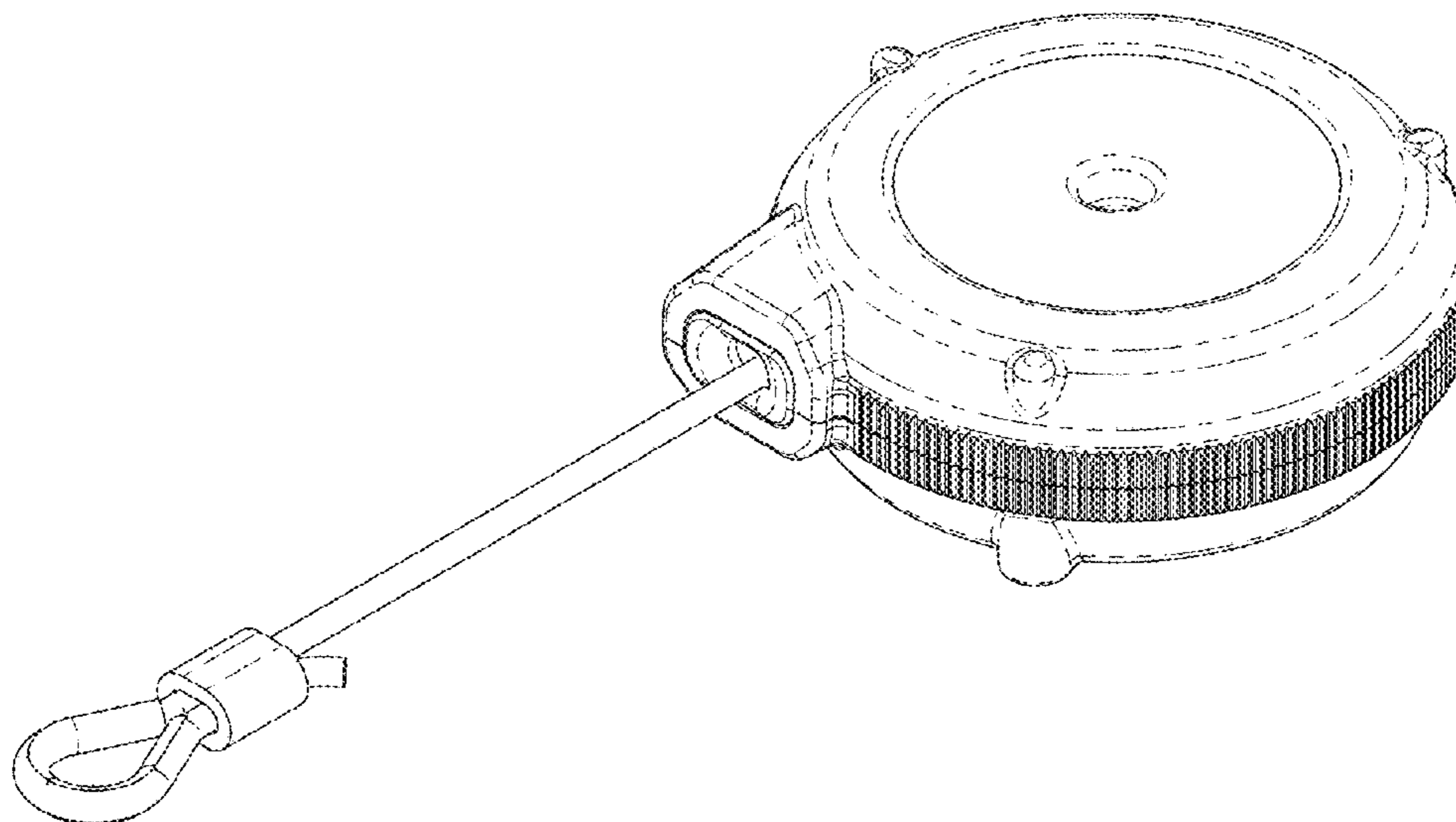
(57) **CLAIM**

The ornamental design for a retractable lanyard, as shown and described.

**DESCRIPTION**

FIG. 1 is a perspective view of the retractable lanyard showing my new design;  
 FIG. 2 is a perspective rotated view of the retractable lanyard showing my new design;  
 FIG. 3 is a front elevation view of the retractable lanyard showing my new design;  
 FIG. 4 is a rear elevation view of the retractable lanyard showing my new design;  
 FIG. 5 is a side elevation view of the retractable lanyard showing my new design;  
 FIG. 6 is a top view of the retractable lanyard showing my new design; and,  
 FIG. 7 is a bottom view of the retractable lanyard showing my new design;  
 The dash dash broken lines shown in drawing FIG. 7 illustrate portions of the retractable lanyard with loop and form no part of the claimed design.

**1 Claim, 7 Drawing Sheets**



(56)

**References Cited**

U.S. PATENT DOCUMENTS

D731,336 S \* 6/2015 Klemm ..... D10/72  
D794,429 S \* 8/2017 Wang ..... D8/359  
2003/0113680 A1\* 6/2003 Genuise ..... A45F 5/004  
431/253  
2016/0346572 A1\* 12/2016 Choate ..... A62B 35/0093

\* cited by examiner

FIG. 1

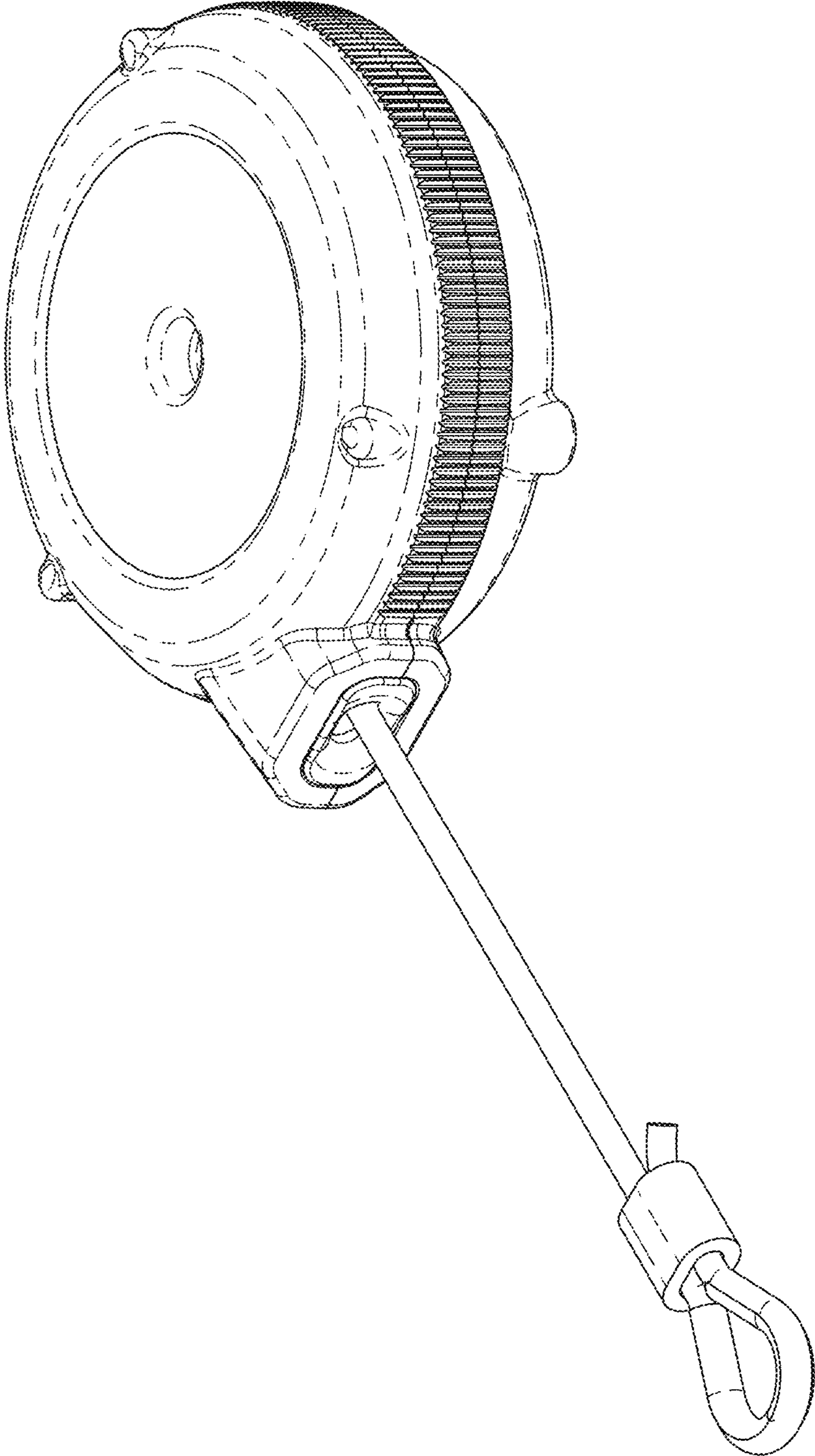


FIG. 2

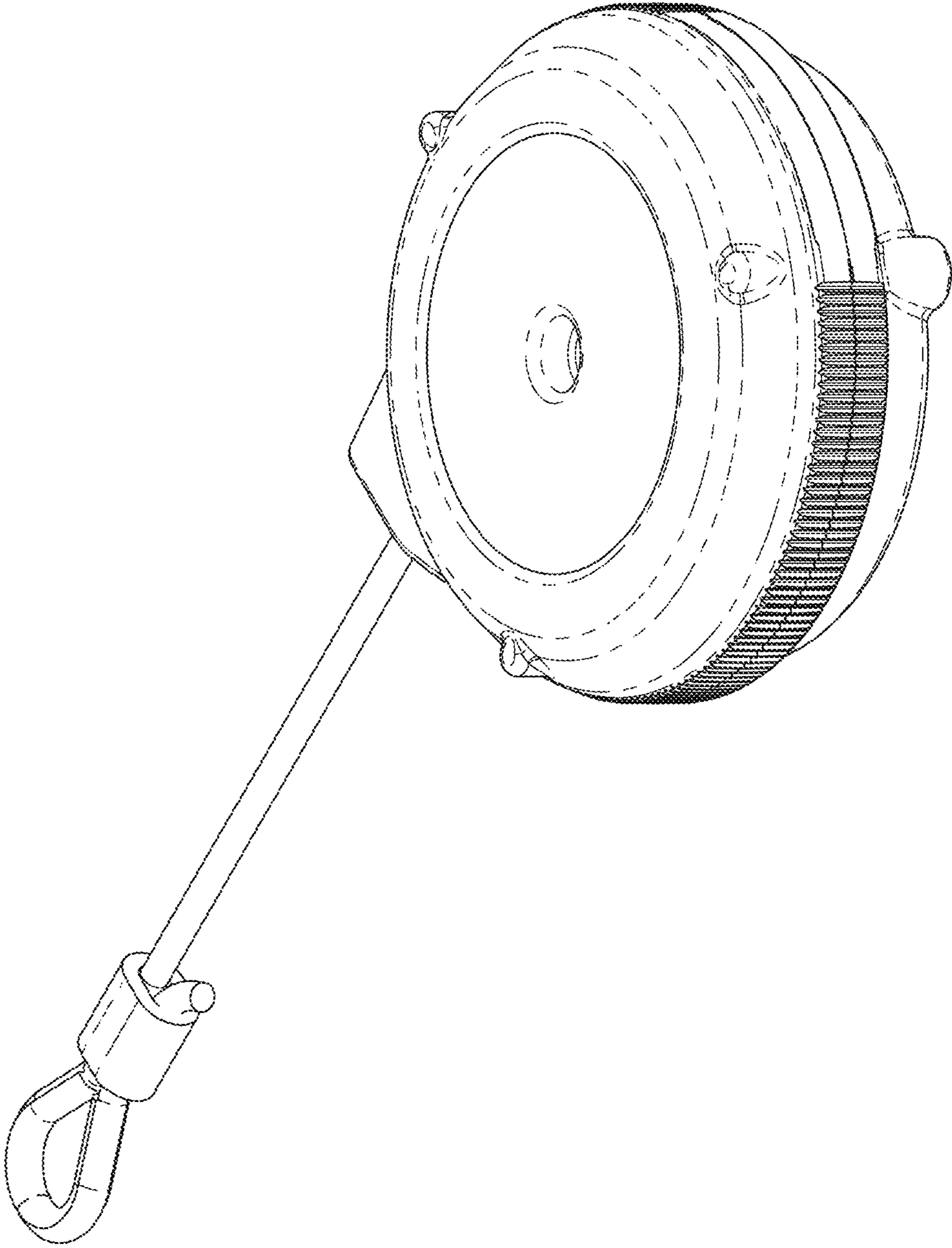


FIG. 3

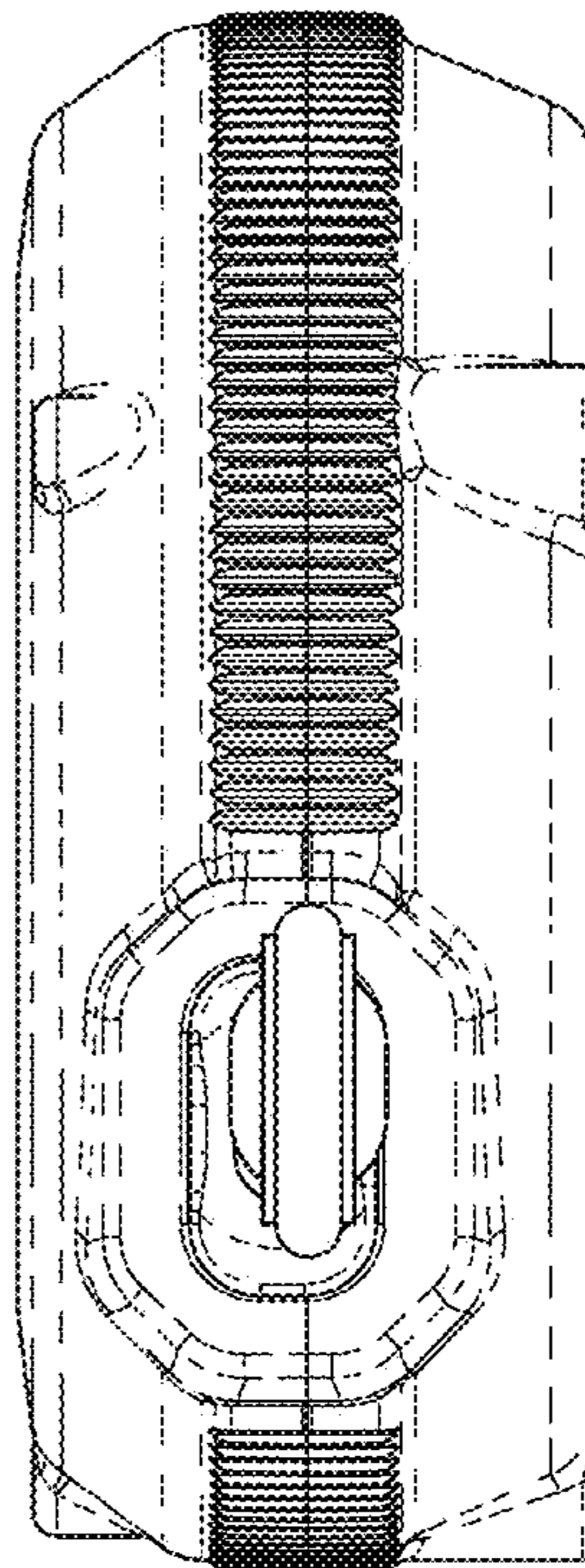


FIG. 4

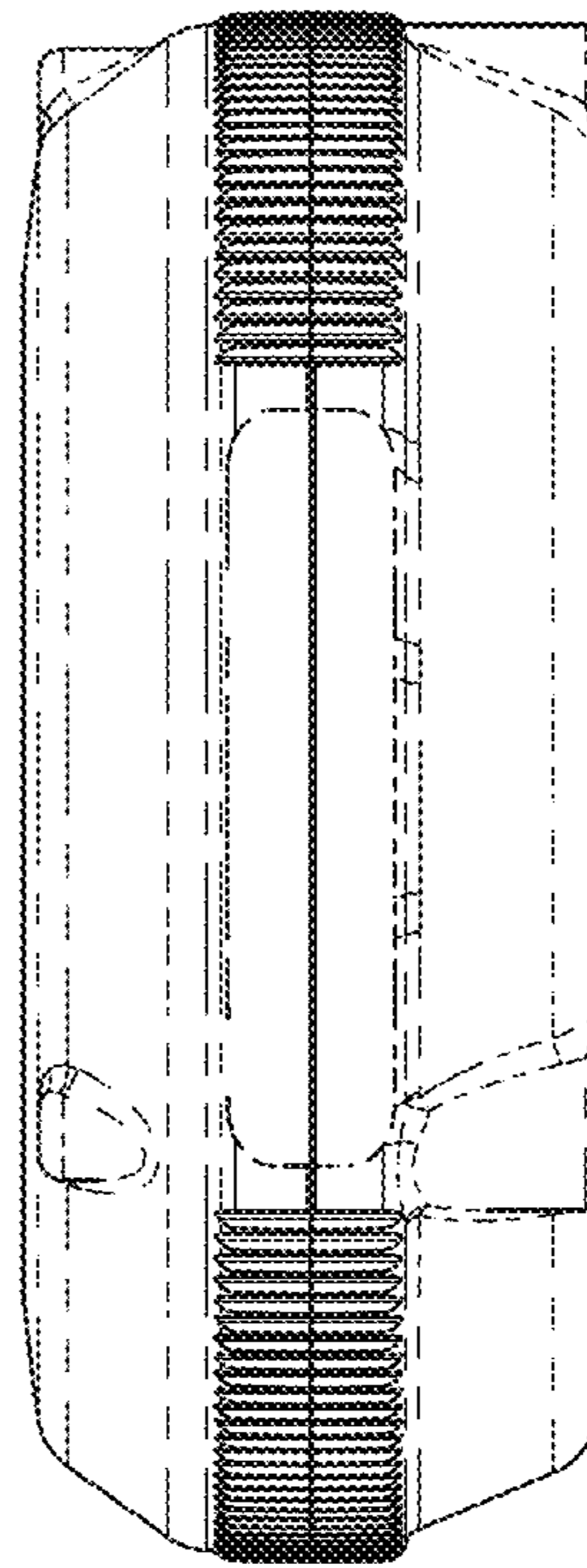


FIG. 5

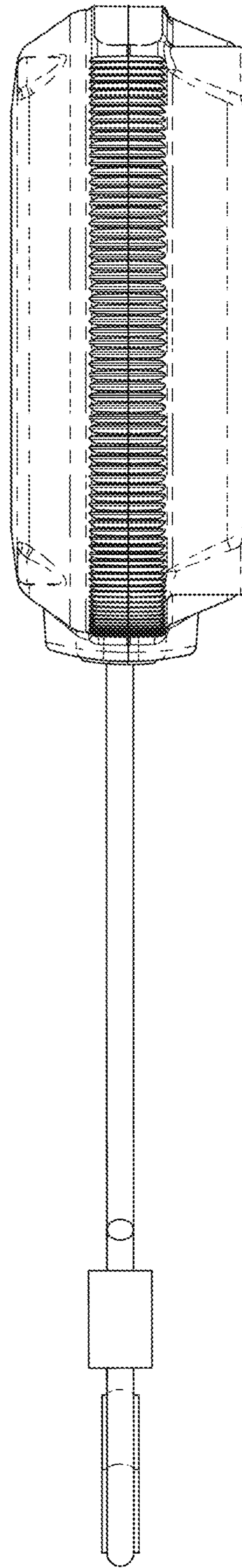


FIG. 6

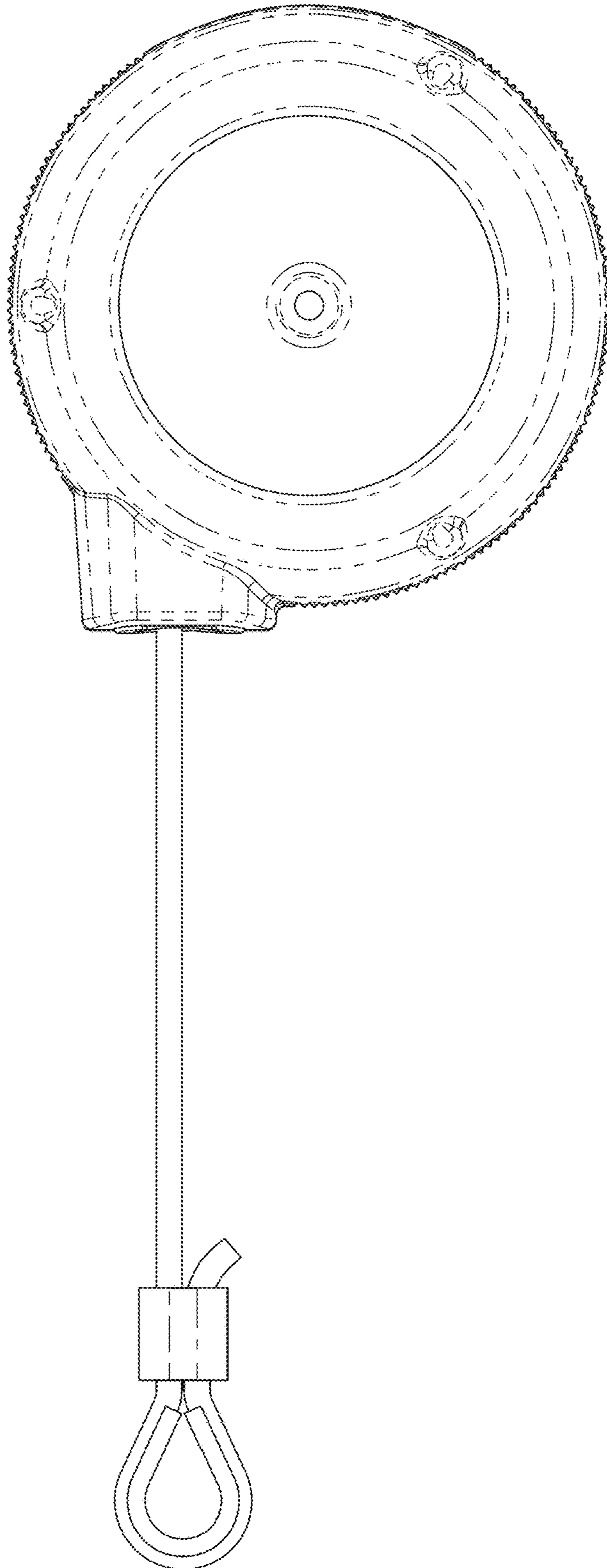




FIG. 7

