



US00D890017S

(12) **United States Design Patent**
Draeger

(10) **Patent No.:** **US D890,017 S**

(45) **Date of Patent:** **** Jul. 14, 2020**

- (54) **PLANTER PANEL**
- (71) Applicant: **Dalen Products, Inc.**, Knoxville, TN (US)
- (72) Inventor: **William M. Draeger**, Sevierville, TN (US)
- (73) Assignee: **Dalen Products, Inc.**, Knoxville, TN (US)
- (**) Term: **15 Years**
- (21) Appl. No.: **29/672,967**
- (22) Filed: **Dec. 11, 2018**
- (51) **LOC (12) Cl.** **11-02**
- (52) **U.S. Cl.**
USPC **D11/143**
- (58) **Field of Classification Search**
USPC D11/143-156, 164; D3/304; D6/403, D6/404, 405, 556, 557, 558; D7/523, D7/602, 630; D8/356; D9/428, 500
CPC ... A47G 7/00; A47G 7/02; A47G 7/06; A47G 7/08; A01G 5/04; A01G 9/02; A01G 9/021; A01G 9/029; A01G 9/0293; A01G 9/047

See application file for complete search history.

(56) **References Cited**

U.S. PATENT DOCUMENTS

- 160,088 A * 2/1875 Eby A01G 9/0295 47/73
- 172,616 A * 1/1876 Eby A01G 9/0295 47/73
- 1,959,800 A * 5/1934 Rogge A47G 7/041 47/75
- D97,497 S * 11/1935 Madvig D11/156
- 2,332,652 A * 10/1943 MacKenzie B65D 9/18 217/16
- 3,343,301 A * 9/1967 Adelman E02D 29/02 47/33

- 3,537,687 A * 11/1970 Adelman E04C 1/395 256/19
- D223,585 S * 5/1972 Adelman D25/113
- 3,760,534 A * 9/1973 Choux A47G 7/041 47/39
- D232,812 S * 9/1974 Ogle D3/314
- 4,363,189 A * 12/1982 O'Donnell, III A01G 9/029 47/73
- 4,665,645 A 5/1987 Schau et al.
- 4,716,680 A * 1/1988 Whitcomb A01G 9/029 47/73
- 4,796,383 A 1/1989 Inoue et al.
- 4,869,018 A * 9/1989 Scales A01G 27/02 47/33
- D323,133 S * 1/1992 Newmark D11/152
- 5,400,918 A 3/1995 Prodaniuk
- 5,498,101 A * 3/1996 Braverman E01F 15/086 256/13.1

(Continued)

Primary Examiner — Elizabeth A. Albert

(74) *Attorney, Agent, or Firm* — Luedeka Neely Group, PC

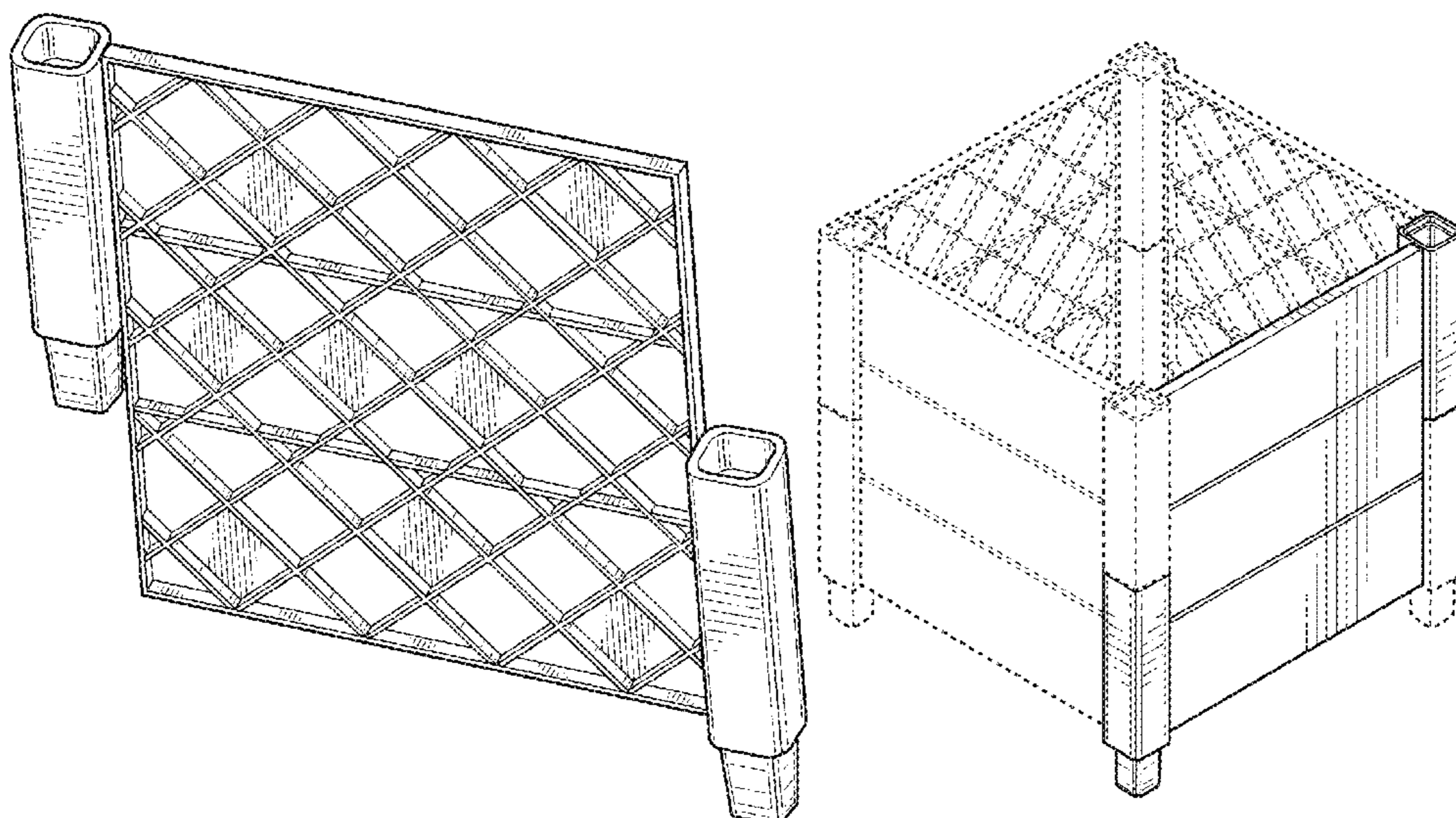
(57) **CLAIM**

The ornamental design for a planter panel, as shown and described.

DESCRIPTION

FIG. 1 is a rear perspective view of a planter panel showing my new design.
 FIG. 2 is a rear elevation view thereof.
 FIG. 3 is a front elevation view thereof.
 FIG. 4 is a top plan view thereof.
 FIG. 5 is a bottom plan view thereof.
 FIG. 6 is a right side elevation view thereof.
 FIG. 7 is a left side elevation view thereof.
 FIG. 8 is another perspective view thereof.
 FIG. 9 is still another perspective view thereof; and,
 FIG. 10 is an exploded view of FIG. 9.
 The broken lines in FIGS. 8, 9, and 10 are included to show articles that form no part of the claimed design.

1 Claim, 5 Drawing Sheets



(56)

References Cited

U.S. PATENT DOCUMENTS

D369,121 S *	4/1996	Morin	D11/144	8,424,258 B2	4/2013	Modica et al.	
D371,446 S *	7/1996	VanDeusen	D25/113	8,491,690 B2 *	7/2013	Crabtree	B01D 46/521 55/497
D401,424 S *	11/1998	Ogo	D6/329	D714,596 S	10/2014	Forno	
D402,229 S	12/1998	Christensen		8,904,706 B1	12/2014	Smith	
5,953,858 A	9/1999	Loosen		D732,357 S	6/2015	Mull	
6,389,742 B1	5/2002	Wüster		D744,771 S	12/2015	Subbi et al.	
D523,566 S *	6/2006	Murdock	D25/121	D804,829 S *	12/2017	Austin	D5/58
7,081,147 B2	7/2006	Giesy		9,918,434 B2	3/2018	Wüster	
7,159,367 B1	1/2007	King		D842,055 S	3/2019	Payne	
D536,584 S	2/2007	Petty		10,232,295 B2 *	3/2019	Winters	B01D 46/0005
7,490,435 B2 *	2/2009	Singer	A01G 9/20 47/19.1	10,356,986 B2 *	7/2019	Burmann	A01G 9/021
7,533,488 B2 *	5/2009	Singer	A01G 9/02 47/19.1	2003/0037521 A1 *	2/2003	Chicks	B01D 46/10 55/497
D605,480 S	12/2009	Kalinich		2003/0157702 A1 *	8/2003	Bard	C05F 17/964 435/290.4
7,770,323 B2 *	8/2010	Kim	A01G 9/022 47/66.3	2004/0244288 A1	12/2004	Kirkpatrick	
7,833,781 B2 *	11/2010	Thurot	C05F 17/90 435/290.1	2005/0160686 A1	7/2005	Williams	
7,856,755 B2 *	12/2010	Riesterer	A01G 9/02 47/79	2005/0193647 A1 *	9/2005	Jones	A01G 9/28 52/169.1
7,966,766 B2	6/2011	Vogler et al.		2006/0096169 A1	5/2006	Love	
D647,767 S	11/2011	Greenes et al.		2008/0081529 A1 *	4/2008	Gehring, Jr.	D04B 21/12 442/308
D651,121 S *	12/2011	Grimme	D11/143	2009/0020527 A1	1/2009	Chen	
D675,957 S *	2/2013	Thorson	D11/155	2012/0096766 A1	4/2012	Bosch et al.	
				2013/0081326 A1	4/2013	Peterson	
				2014/0173982 A1	6/2014	Lu	
				2016/0316637 A1	11/2016	Leone	

* cited by examiner

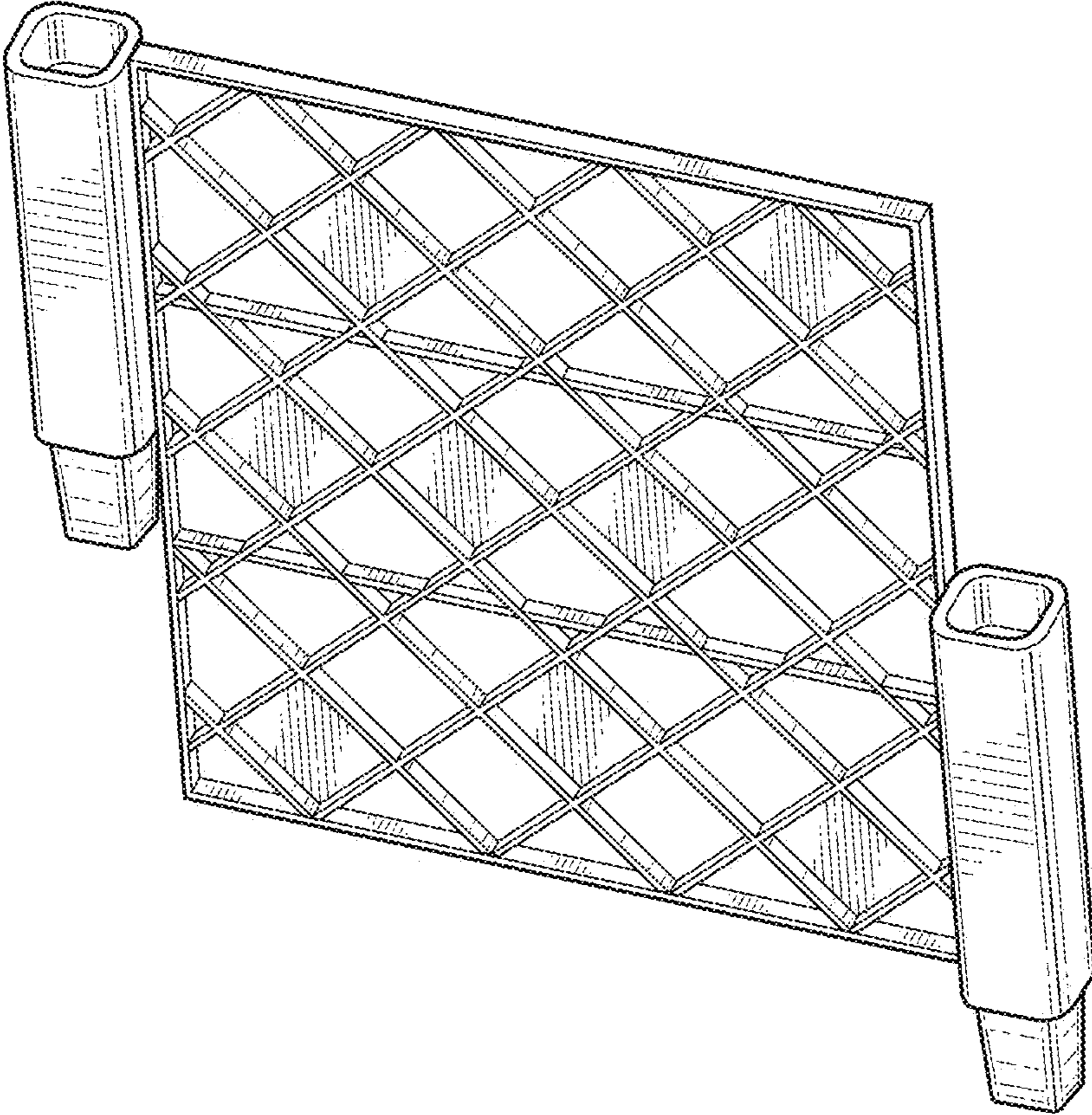


FIG. 1

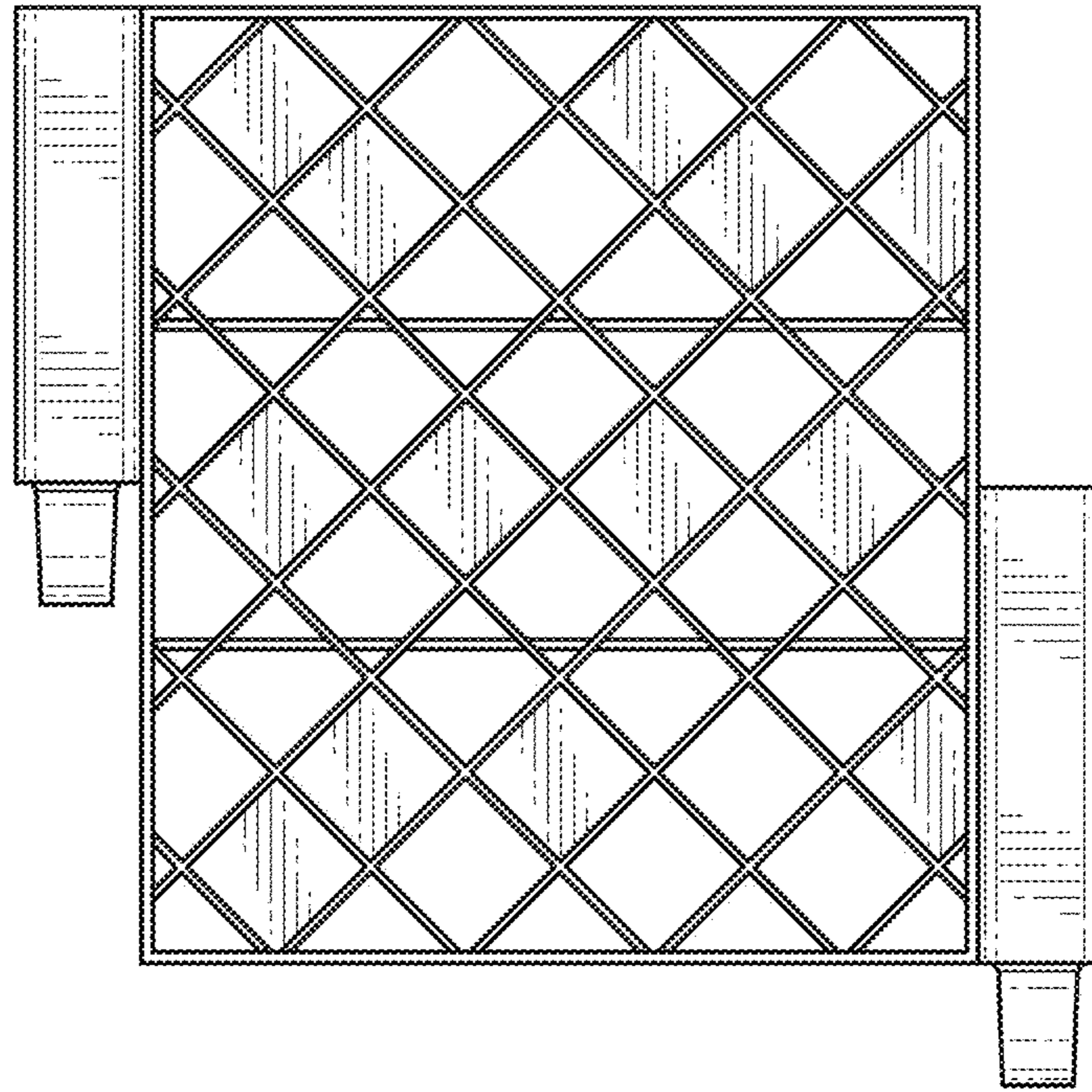


FIG. 2

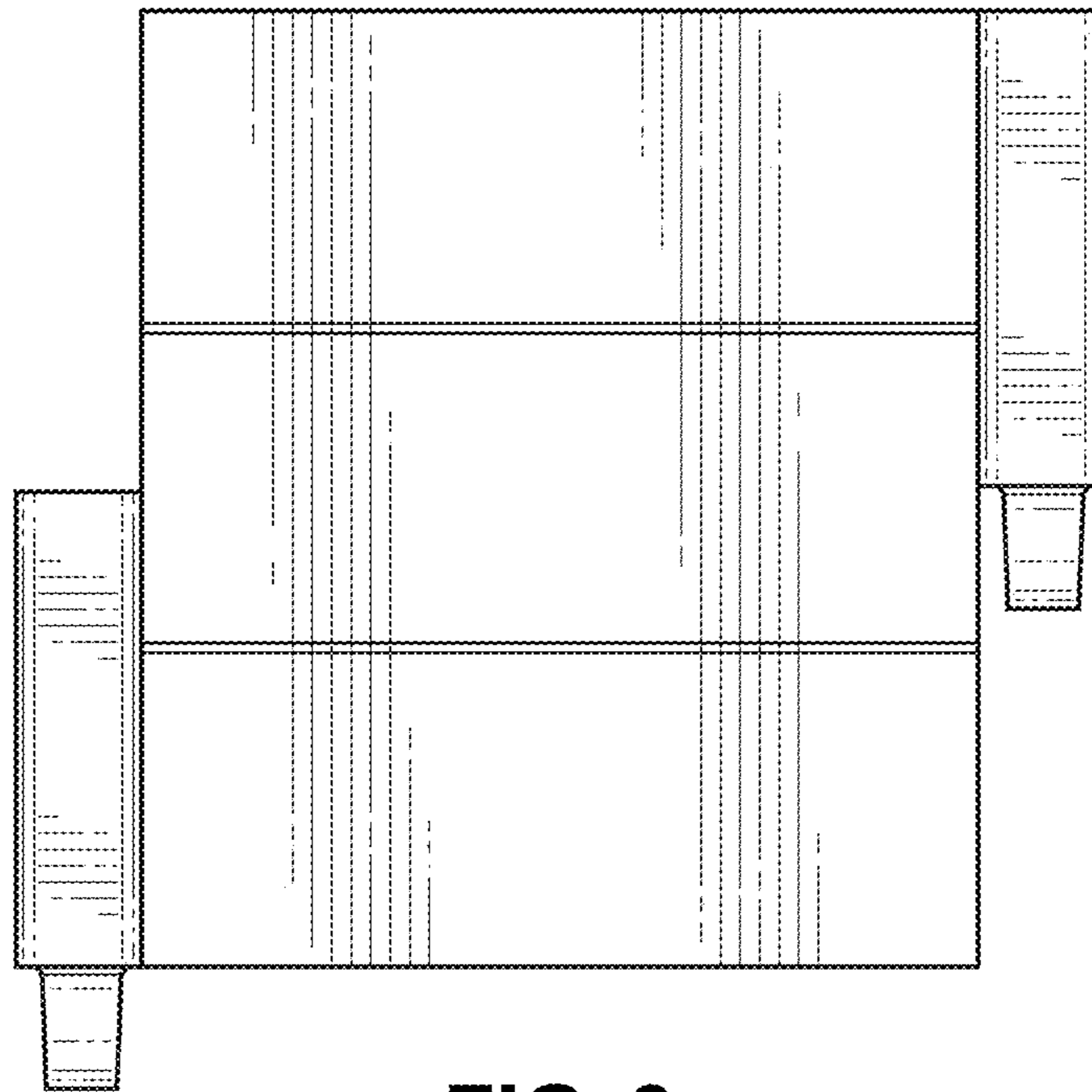


FIG. 3

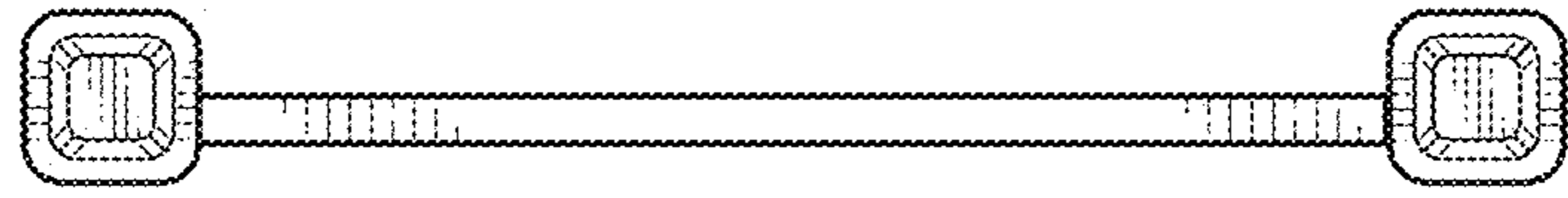


FIG. 4

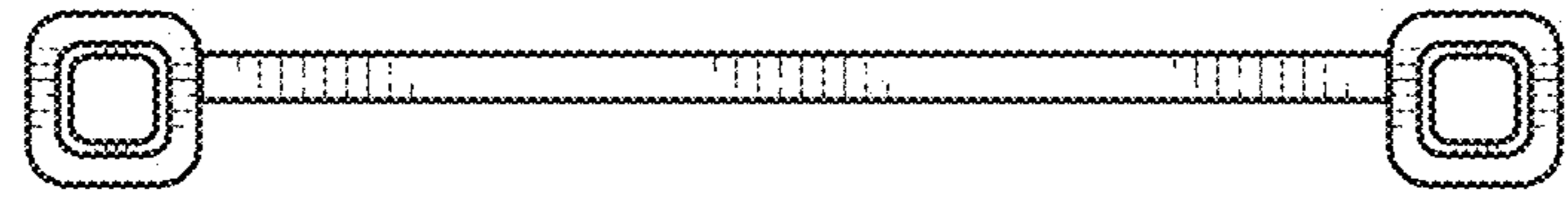


FIG. 5

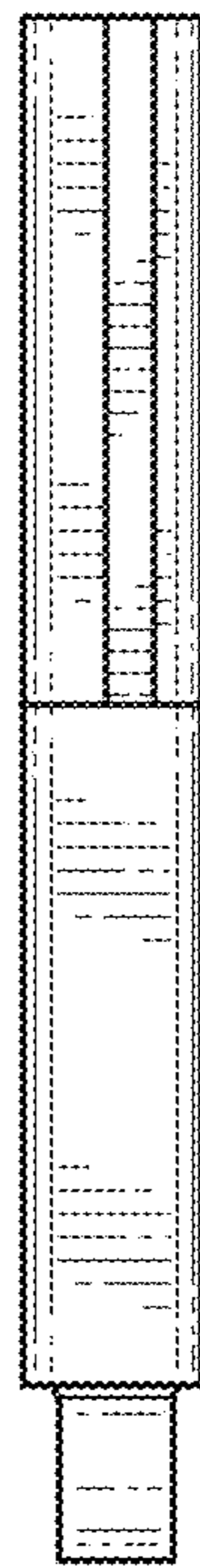


FIG. 6

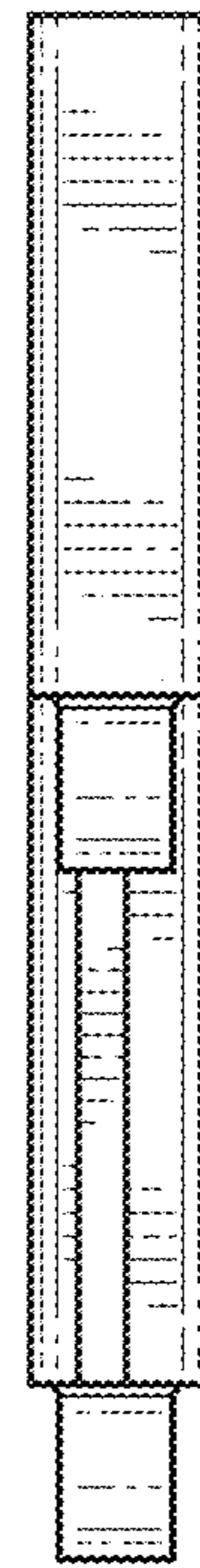


FIG. 7

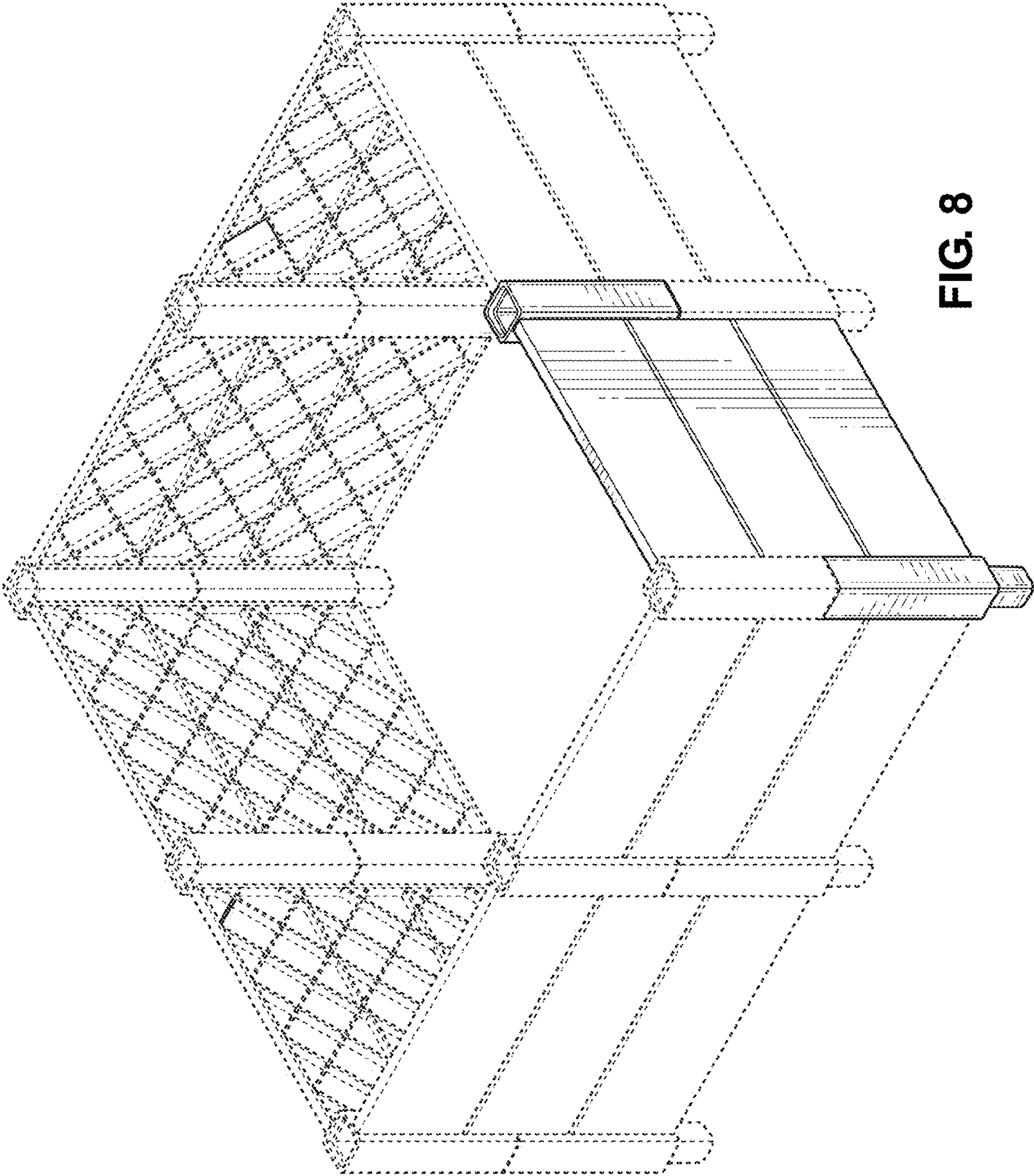


FIG. 8

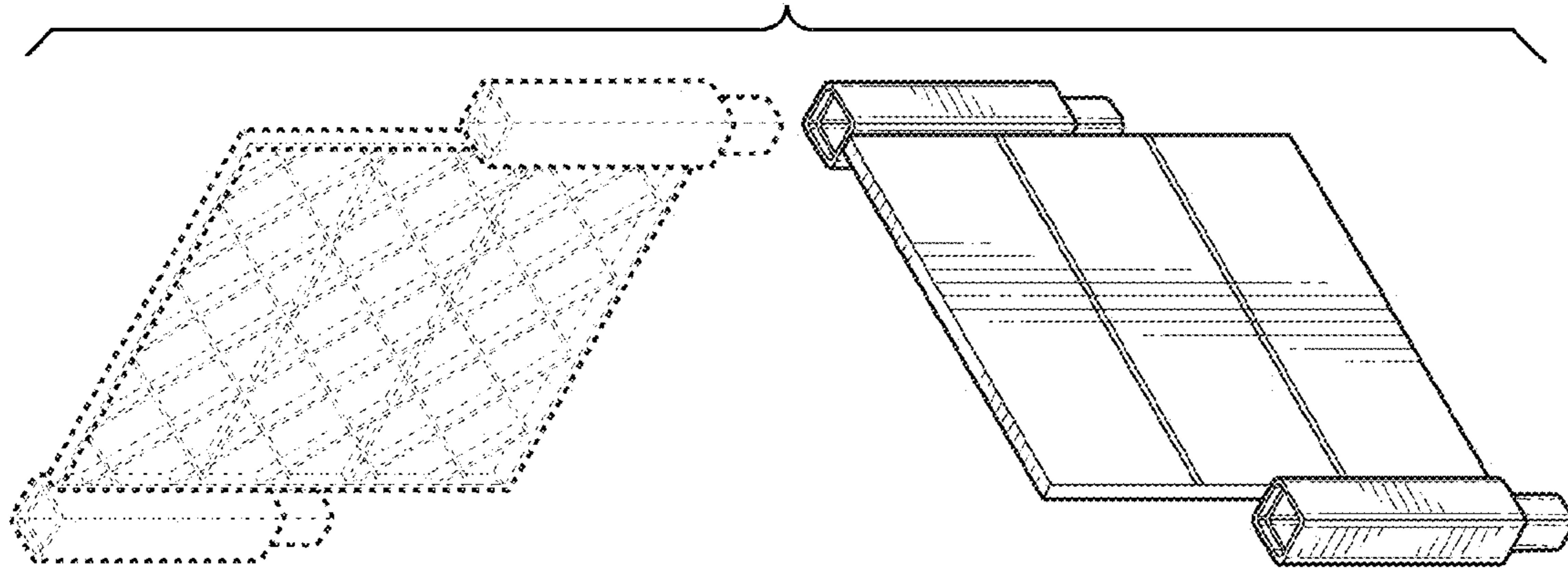


FIG. 10

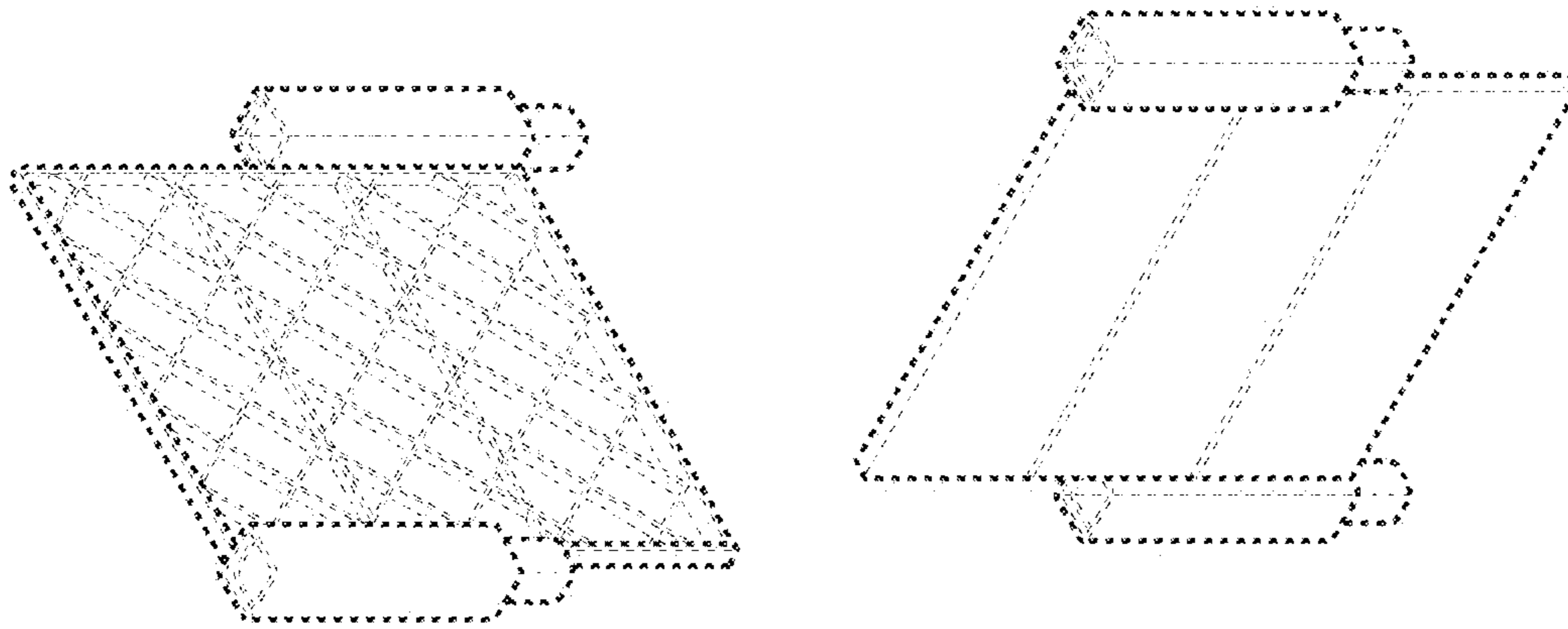


FIG. 9

