



US00D890011S

(12) **United States Design Patent** (10) **Patent No.:** **US D890,011 S**  
**Wangdong** (45) **Date of Patent:** **\*\* Jul. 14, 2020**

(54) **WIRELESS DOORBELL**  
(71) Applicant: **Zhang Wangdong**, Xiaolan Town (CN)  
(72) Inventor: **Zhang Wangdong**, Xiaolan Town (CN)  
(\*\*) Term: **15 Years**  
(21) Appl. No.: **29/693,897**  
(22) Filed: **Jun. 5, 2019**  
(51) **LOC (12) Cl.** ..... **10-05**  
(52) **U.S. Cl.**  
USPC ..... **D10/118**  
(58) **Field of Classification Search**  
USPC ..... D10/104.1, 108, 116.1, 118, 118.2,  
D10/121-126  
CPC ... G08B 3/00; G08B 3/10; G08B 7/00; G08B  
7/06; G08B 13/1436; G08B 13/1463;  
G08B 13/1481  
See application file for complete search history.

(56) **References Cited**

U.S. PATENT DOCUMENTS

D778,754 S \* 2/2017 Yang ..... D10/118.2  
D793,263 S \* 8/2017 Ye ..... D10/118.2  
D793,264 S \* 8/2017 Ye ..... D10/118.2  
D793,265 S \* 8/2017 Ye ..... D10/118.2  
D793,266 S \* 8/2017 Ye ..... D10/118.2  
D793,267 S \* 8/2017 Ye ..... D10/118.2

D794,488 S \* 8/2017 Ye ..... D10/118.2  
D800,005 S \* 10/2017 Wong ..... D10/118.2  
D818,387 S \* 5/2018 Chen ..... D10/118.2  
D867,918 S \* 11/2019 Wong ..... D10/118.2

\* cited by examiner

*Primary Examiner* — George D. Kirschbaum

*Assistant Examiner* — Joseph J Kukella

(74) *Attorney, Agent, or Firm* — Pasadena Legal Group;  
Norman R. Van Treeck

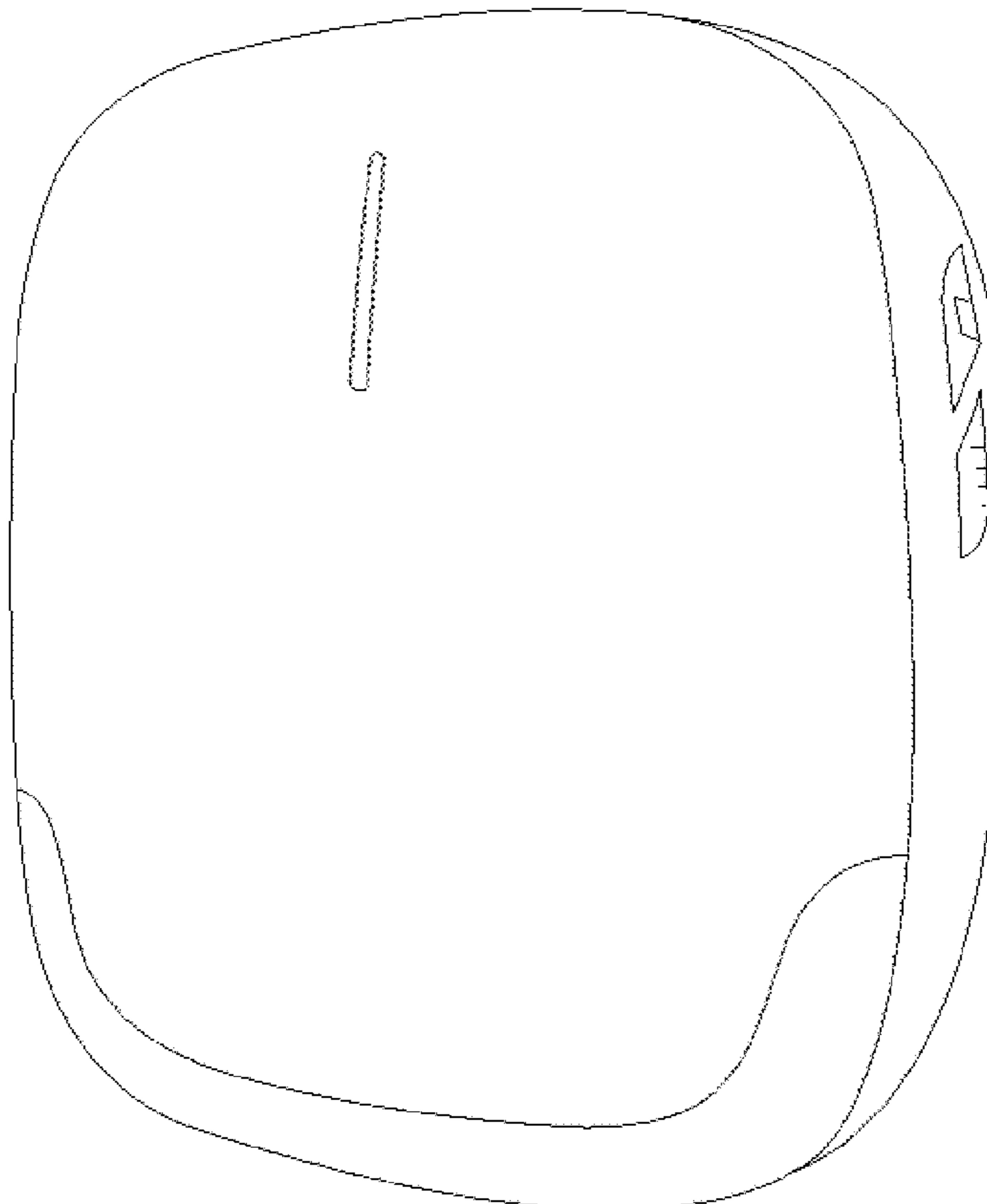
(57) **CLAIM**

The ornamental design of a wireless doorbell, as shown and described.

**DESCRIPTION**

FIG. 1 is a front perspective view of a wireless doorbell according to my new design;  
FIG. 2 is a front plan view of the wireless doorbell shown in FIG. 1;  
FIG. 3 is a rear plan view of the wireless doorbell shown in FIG. 1;  
FIG. 4 is a top side plan view of the wireless doorbell shown in FIG. 1;  
FIG. 5 is a bottom plan view of the wireless doorbell shown in FIG. 1;  
FIG. 6 is a left end plan view of the wireless doorbell shown in FIG. 1; and,  
FIG. 7 is a right end plan view of a wireless doorbell shown in FIG. 1.

**1 Claim, 3 Drawing Sheets**



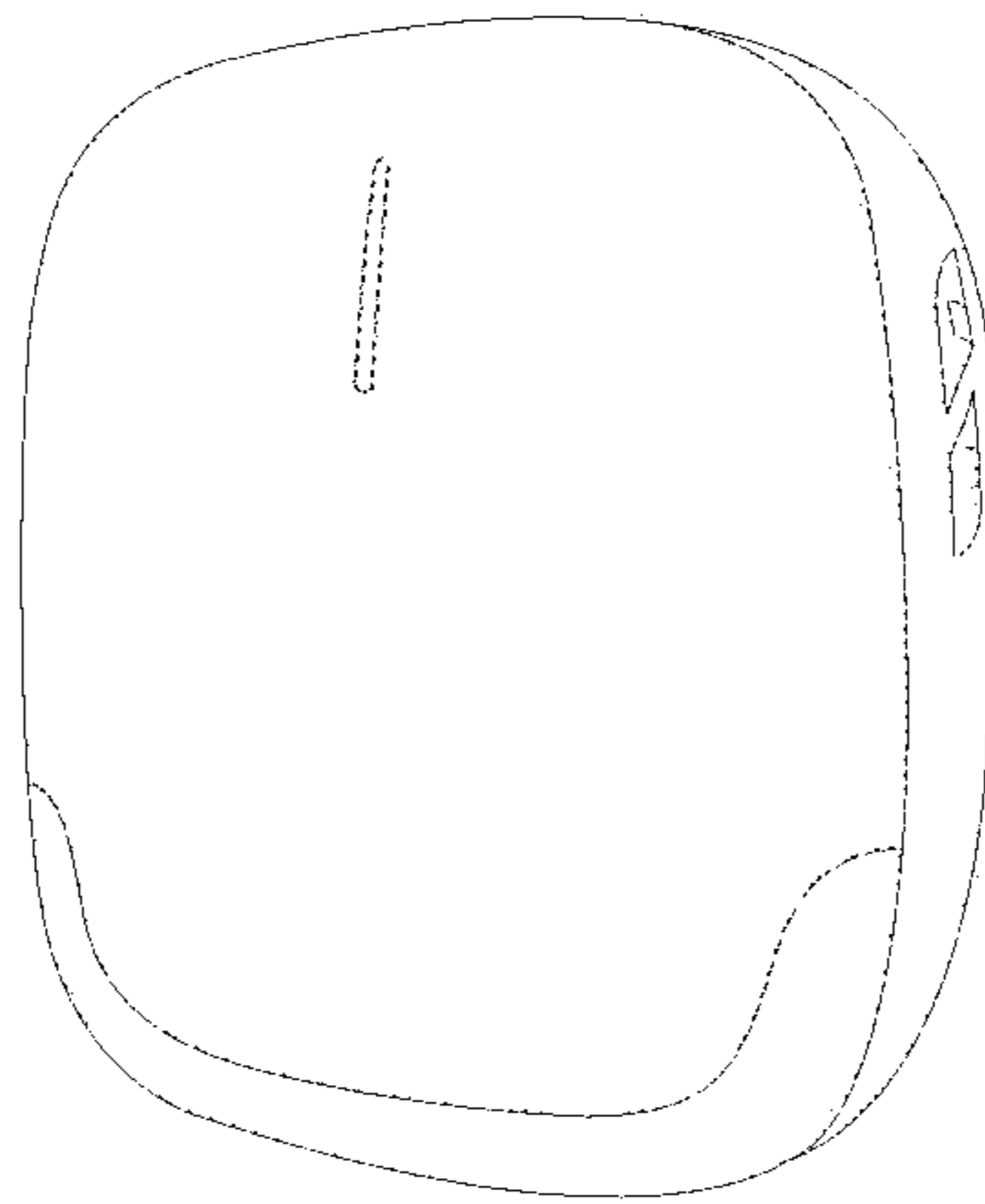


FIG. 1

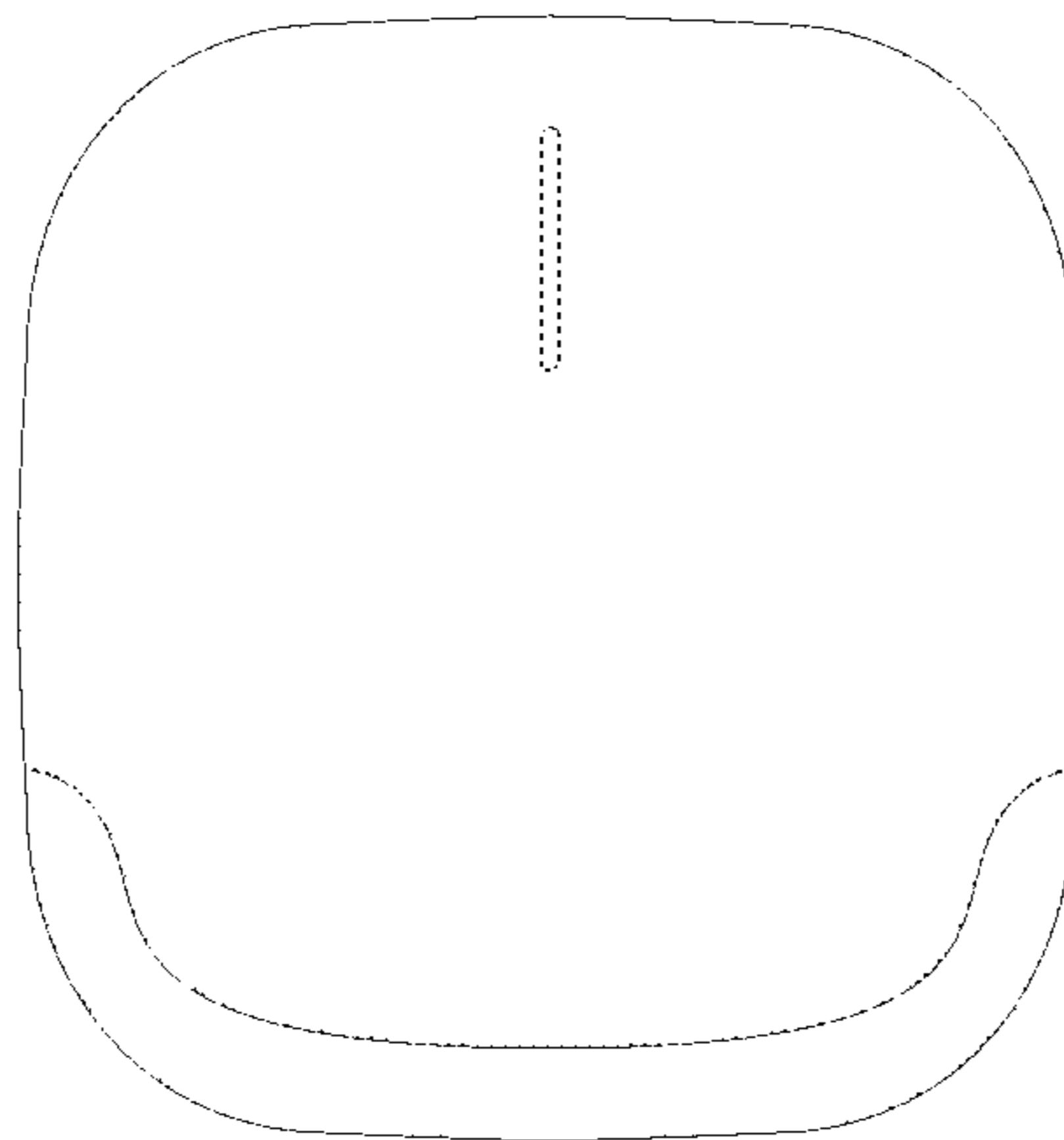


FIG. 2

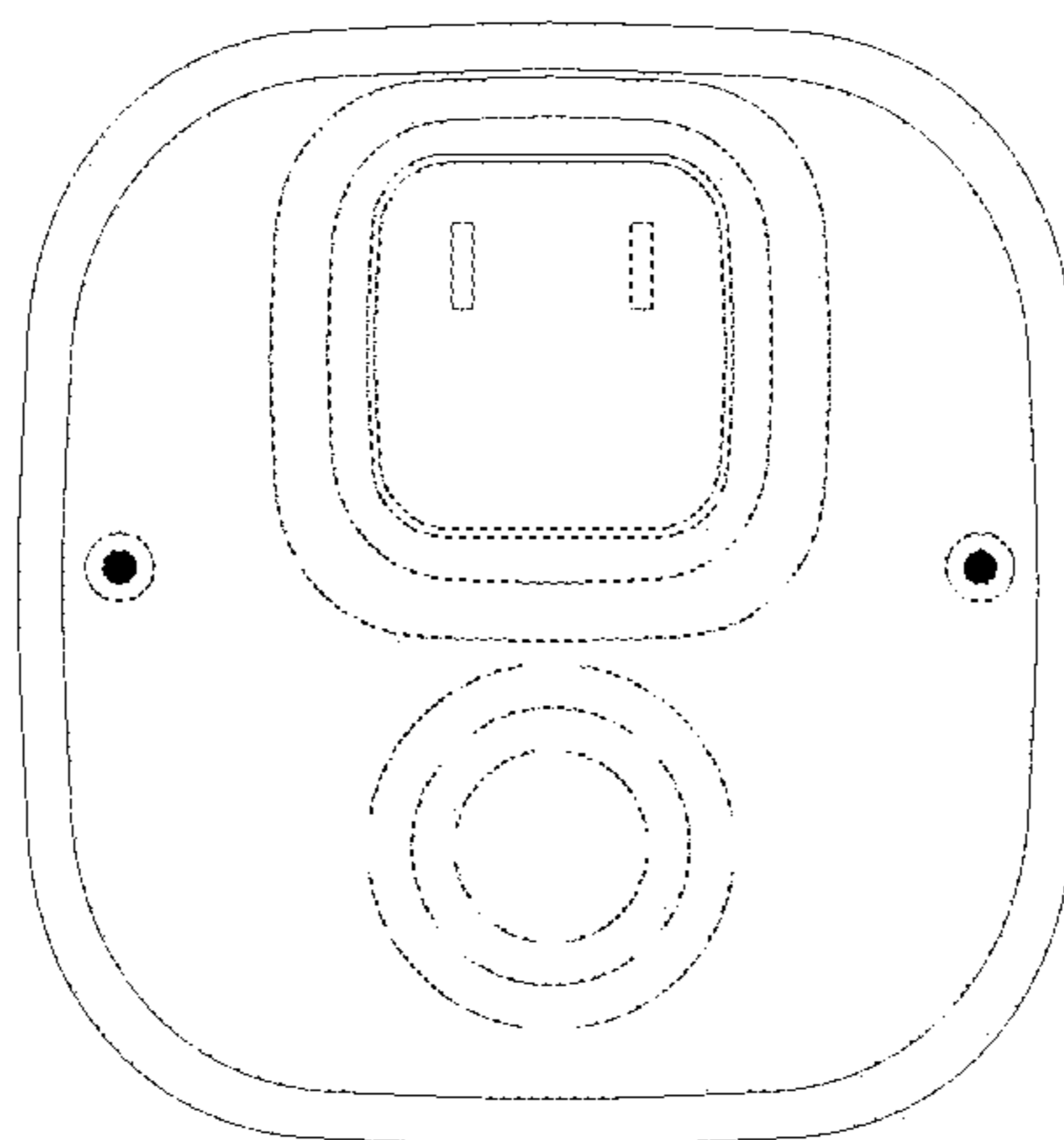


FIG. 3

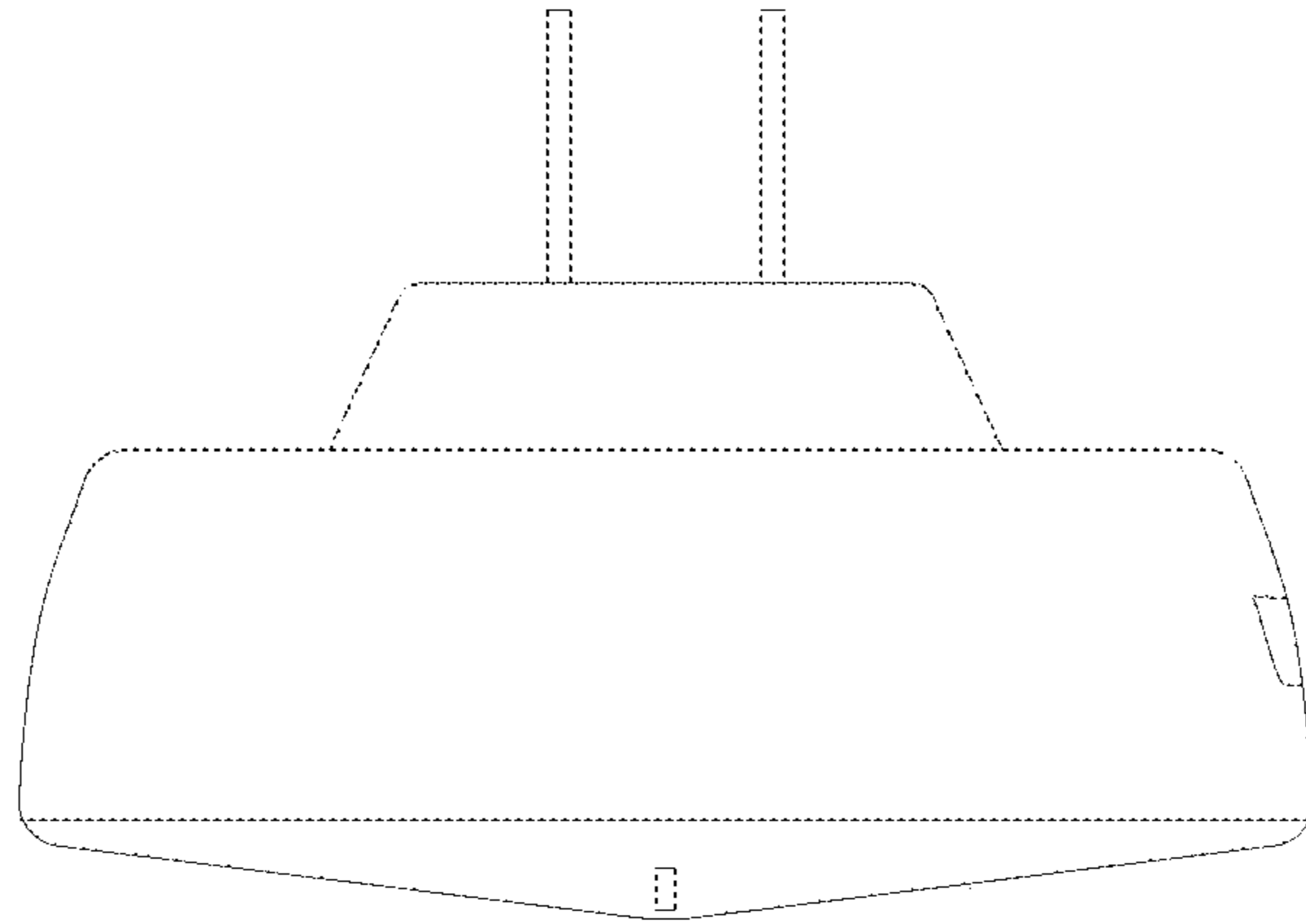


FIG. 4

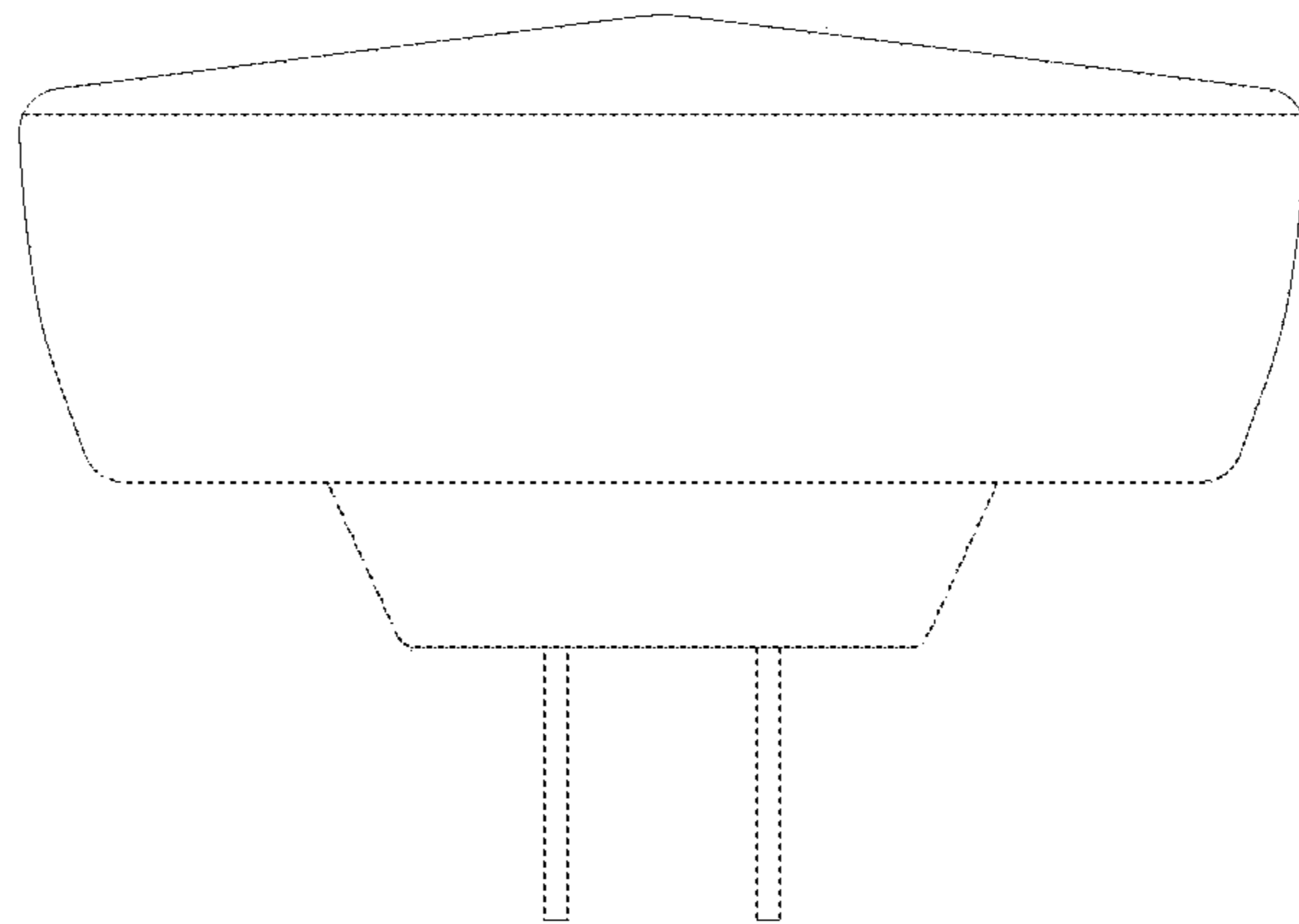


FIG. 5

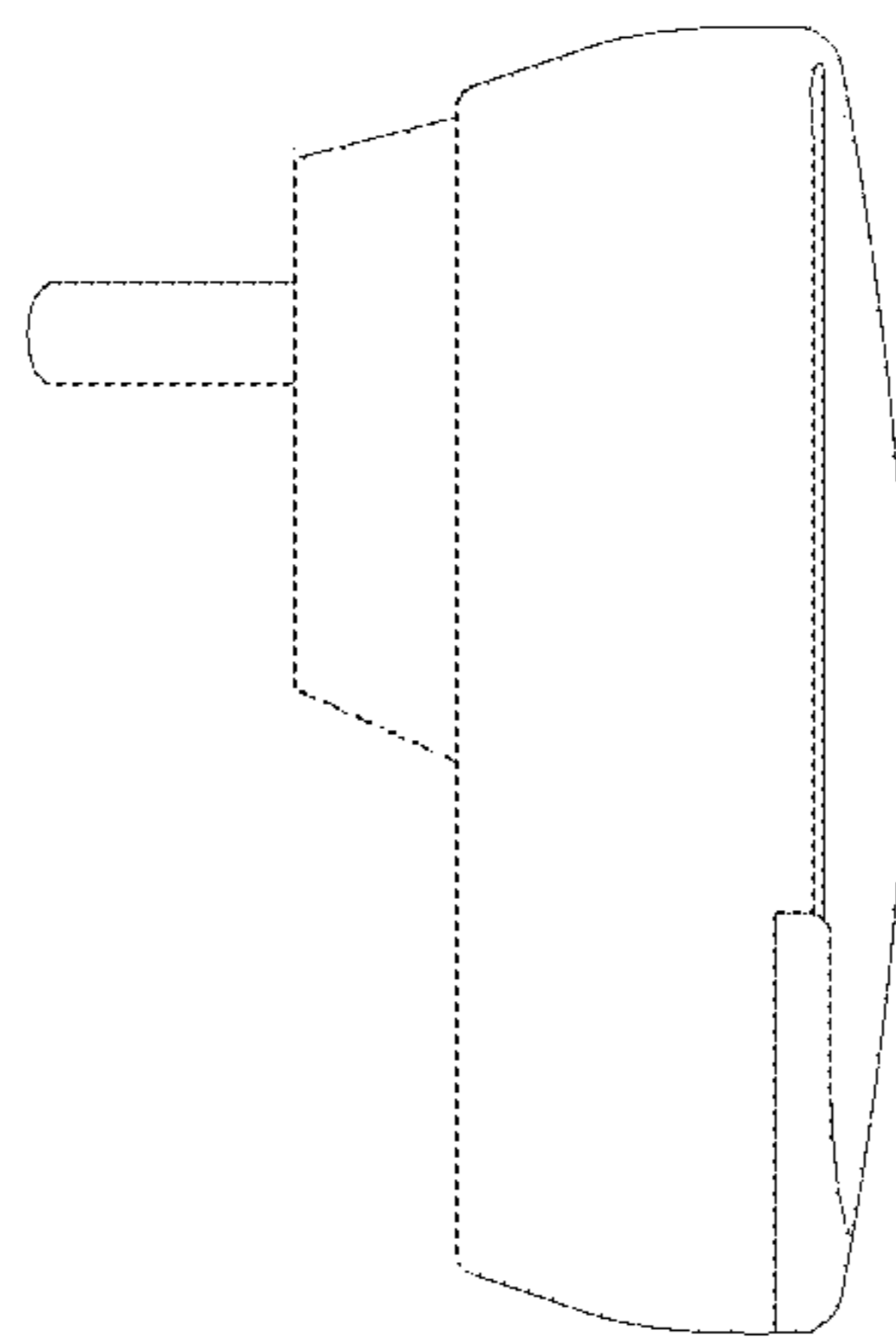


FIG. 6

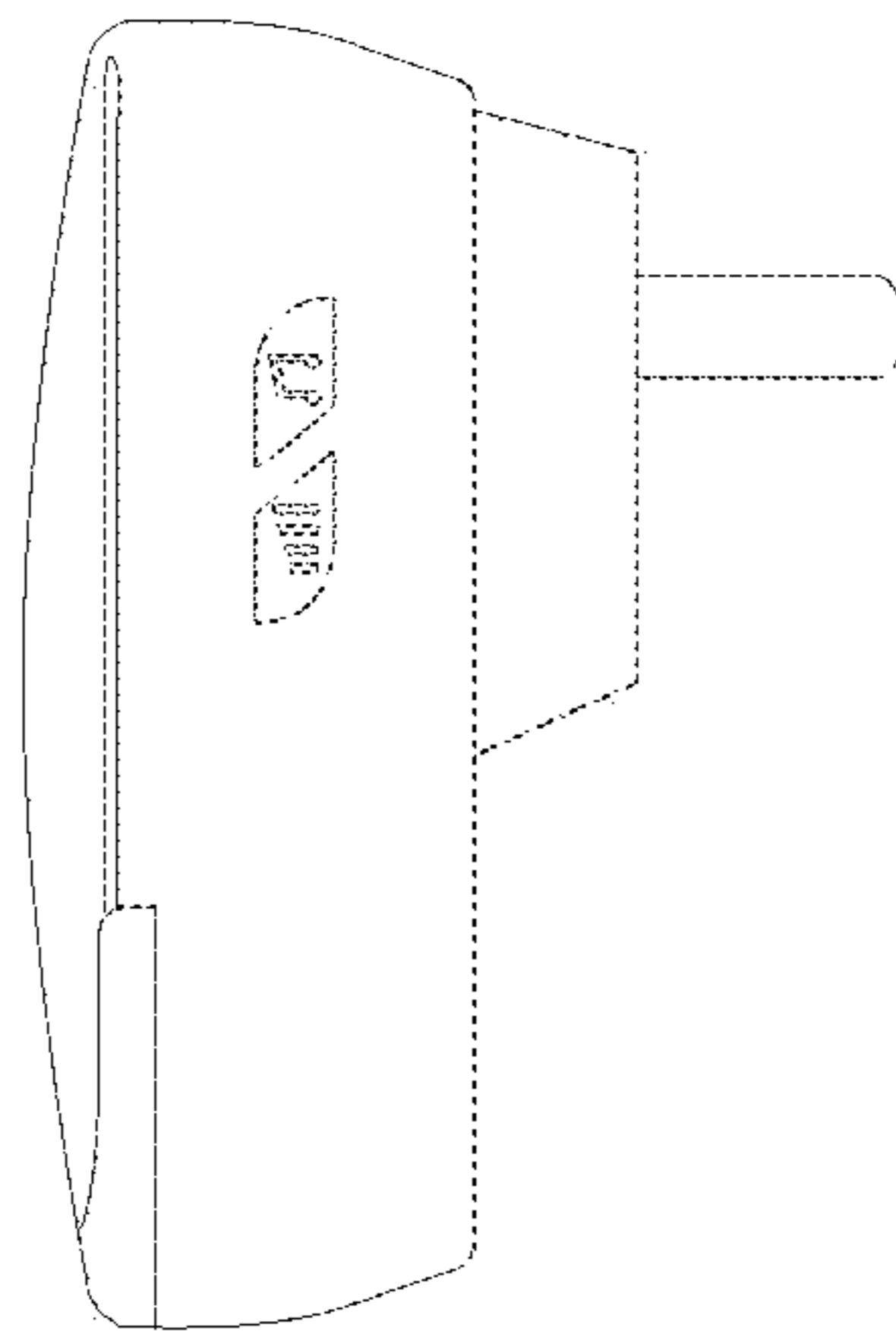


FIG. 7