

US00D890008S

(12) **United States Design Patent**
Xiong

(10) **Patent No.:** **US D890,008 S**

(45) **Date of Patent:** **** Jul. 14, 2020**

(54) **SMOKE DETECTOR**

D783,434 S * 4/2017 Kalyan D10/106.2
D783,435 S * 4/2017 Kalyan D10/106.2

(71) Applicant: **SHENZHEN OURAN TECHNOLOGY CO., LTD.**, Shenzhen (CN)

* cited by examiner

Primary Examiner — George D. Kirschbaum

(72) Inventor: **Xiangyang Xiong**, Shenzhen (CN)

(74) *Attorney, Agent, or Firm* — Law Offices of Steven W. Weinrieb

(73) Assignee: **SHENZHEN OURAN TECHNOLOGY CO., LTD.**, Shenzhen (CN)

(57) **CLAIM**

The ornamental design for a smoke detector, as shown and described.

(**) Term: **15 Years**

(21) Appl. No.: **29/683,580**

DESCRIPTION

(22) Filed: **Mar. 14, 2019**

(51) **LOC (12) Cl.** **10-05**

(52) **U.S. Cl.**
USPC **D10/106.2**

(58) **Field of Classification Search**
USPC D10/106.2, 106.3
CPC G08B 17/00
See application file for complete search history.

FIG. 1 is a front, right side, top perspective view of a smoke detector showing my new design;
FIG. 2 is a rear, left side, bottom perspective view thereof;
FIG. 3 is a front elevational view thereof;
FIG. 4 is a rear elevational view thereof;
FIG. 5 is a left side elevational view thereof;
FIG. 6 is a right side elevational view thereof;
FIG. 7 is a top plan view thereof; and,
FIG. 8 is a bottom plan view thereof.

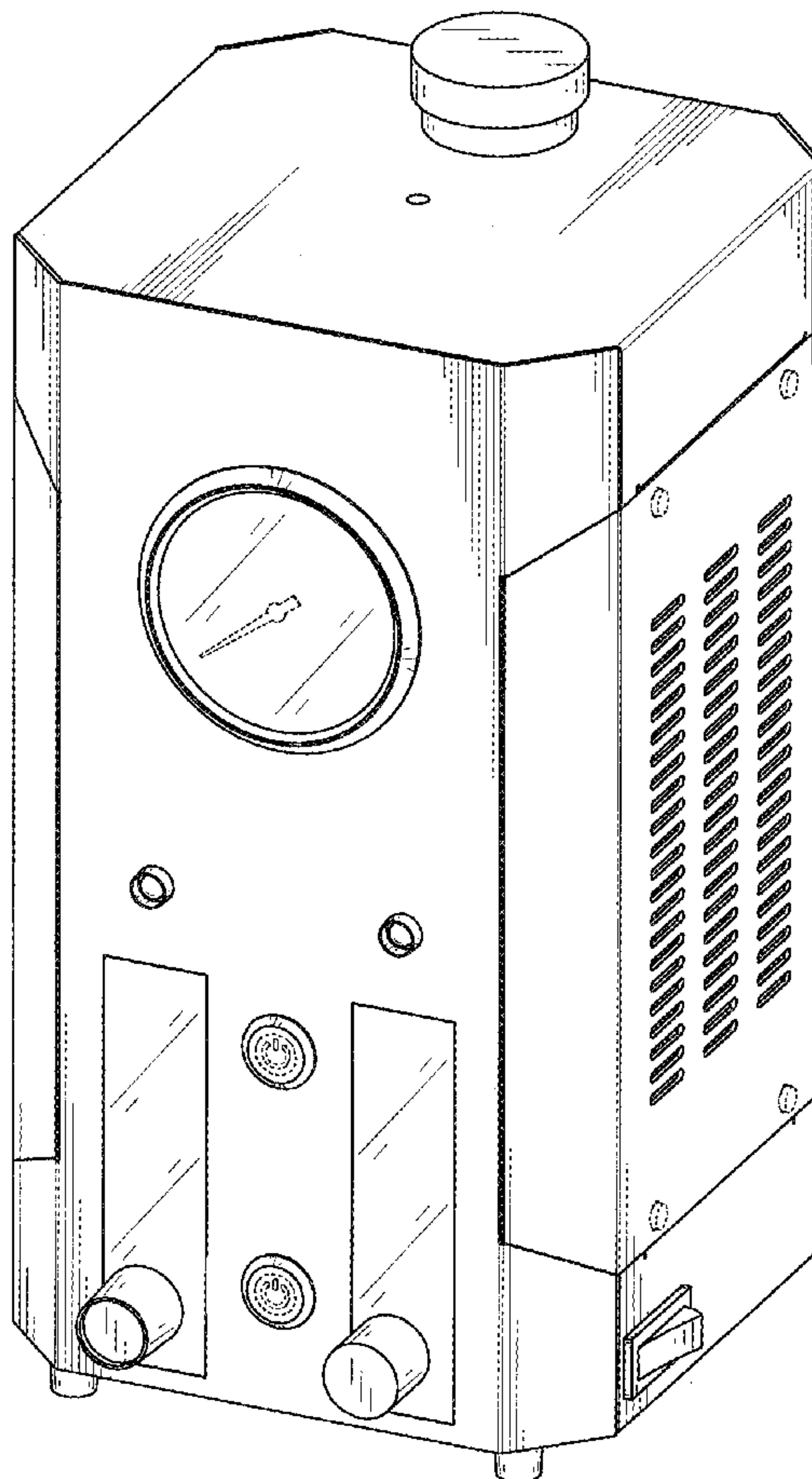
The broken line showing is included for the purpose of illustrating portions of the “article” and forms no part of the claimed design.

(56) **References Cited**

U.S. PATENT DOCUMENTS

D783,433 S * 4/2017 Kalyan D10/106.2

1 Claim, 8 Drawing Sheets



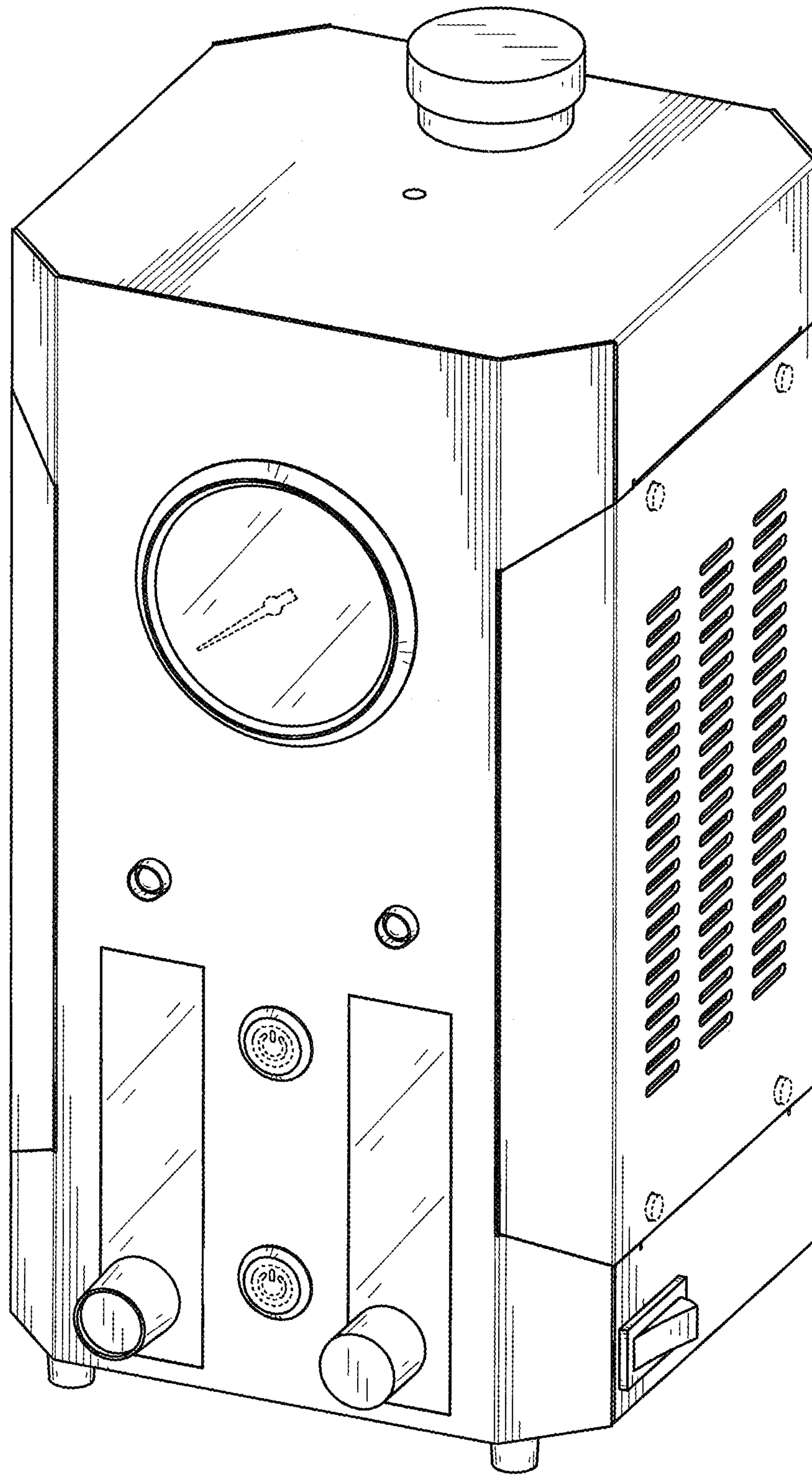


FIG. 1

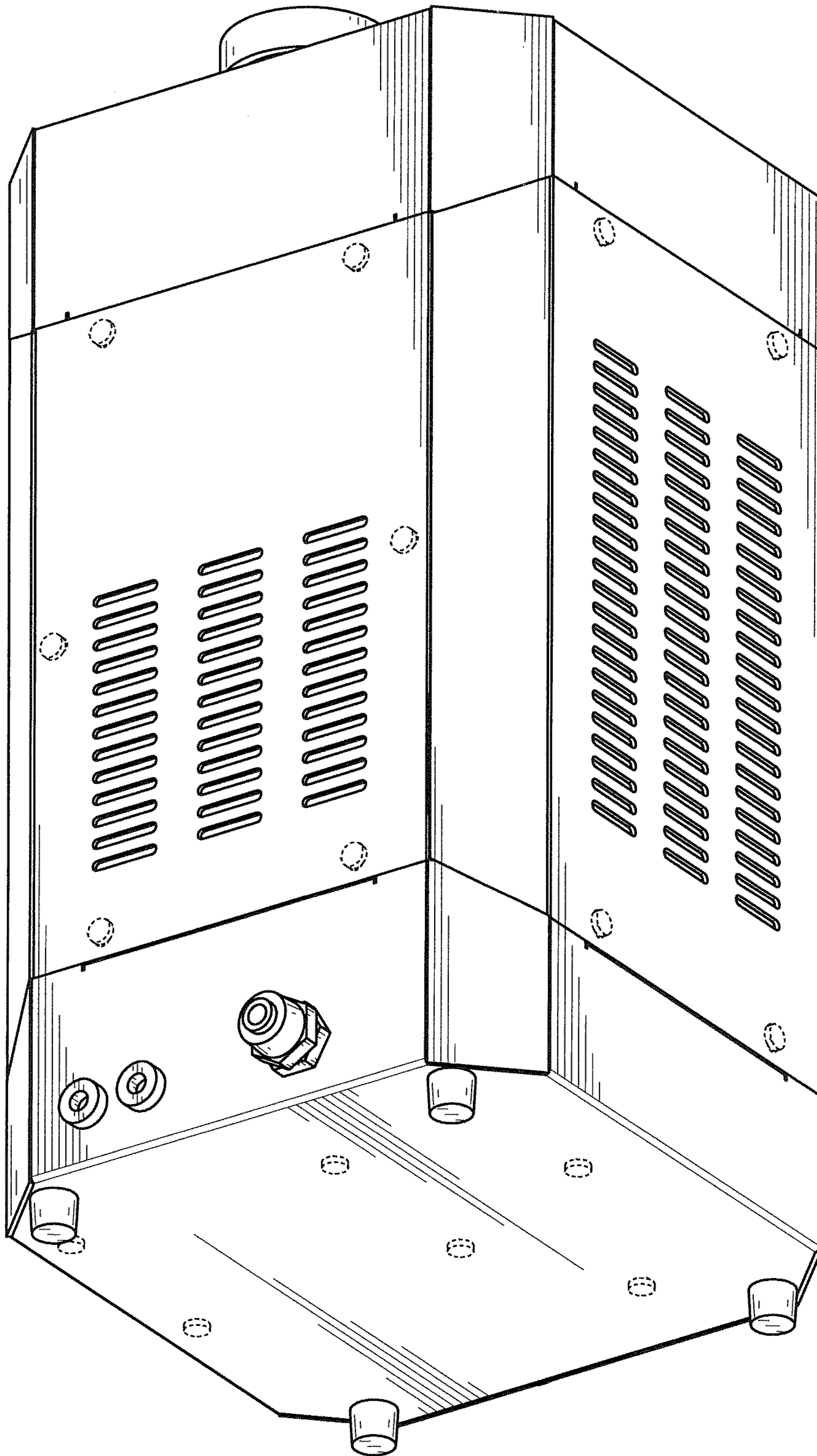


FIG. 2

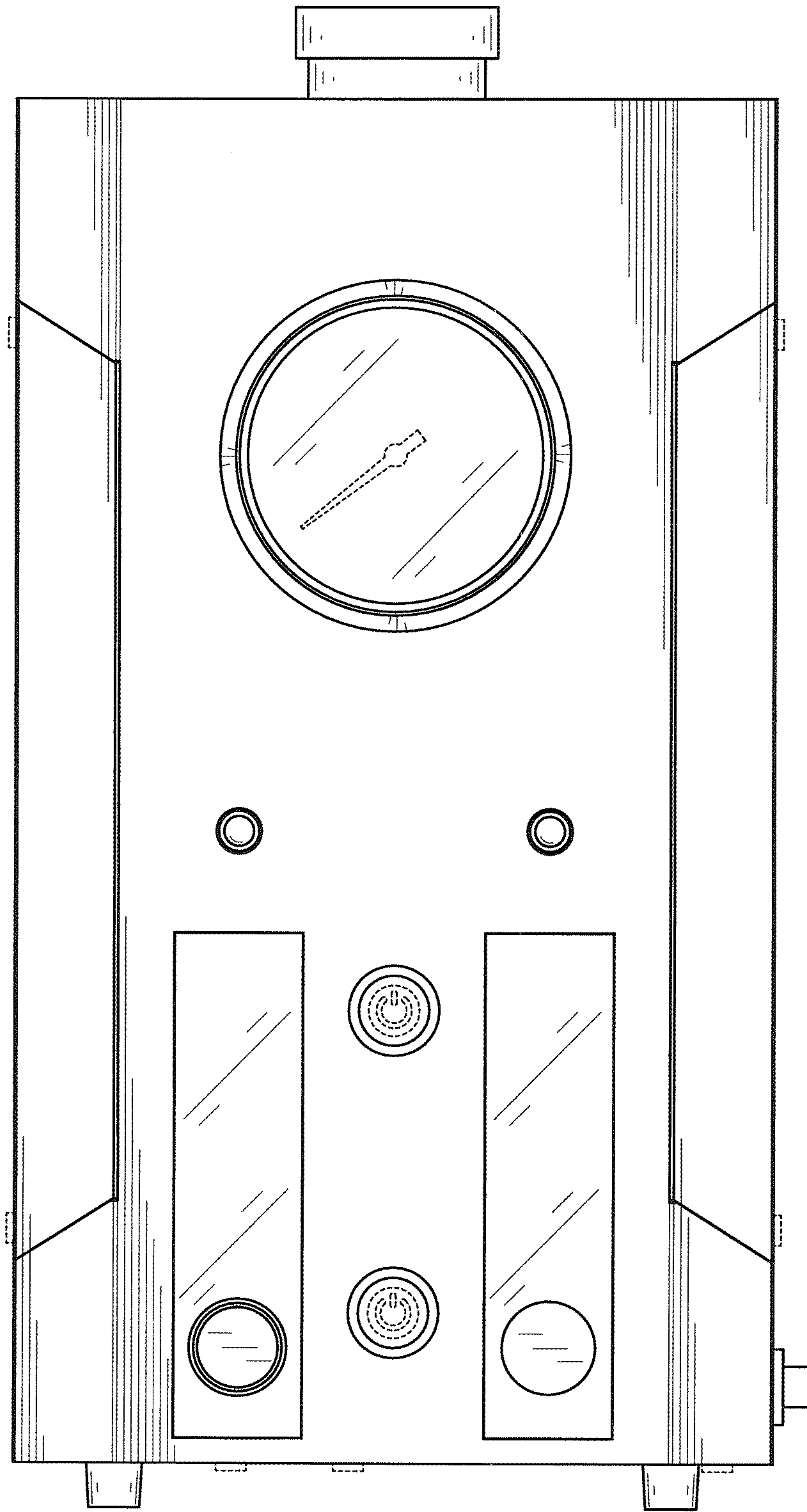


FIG. 3

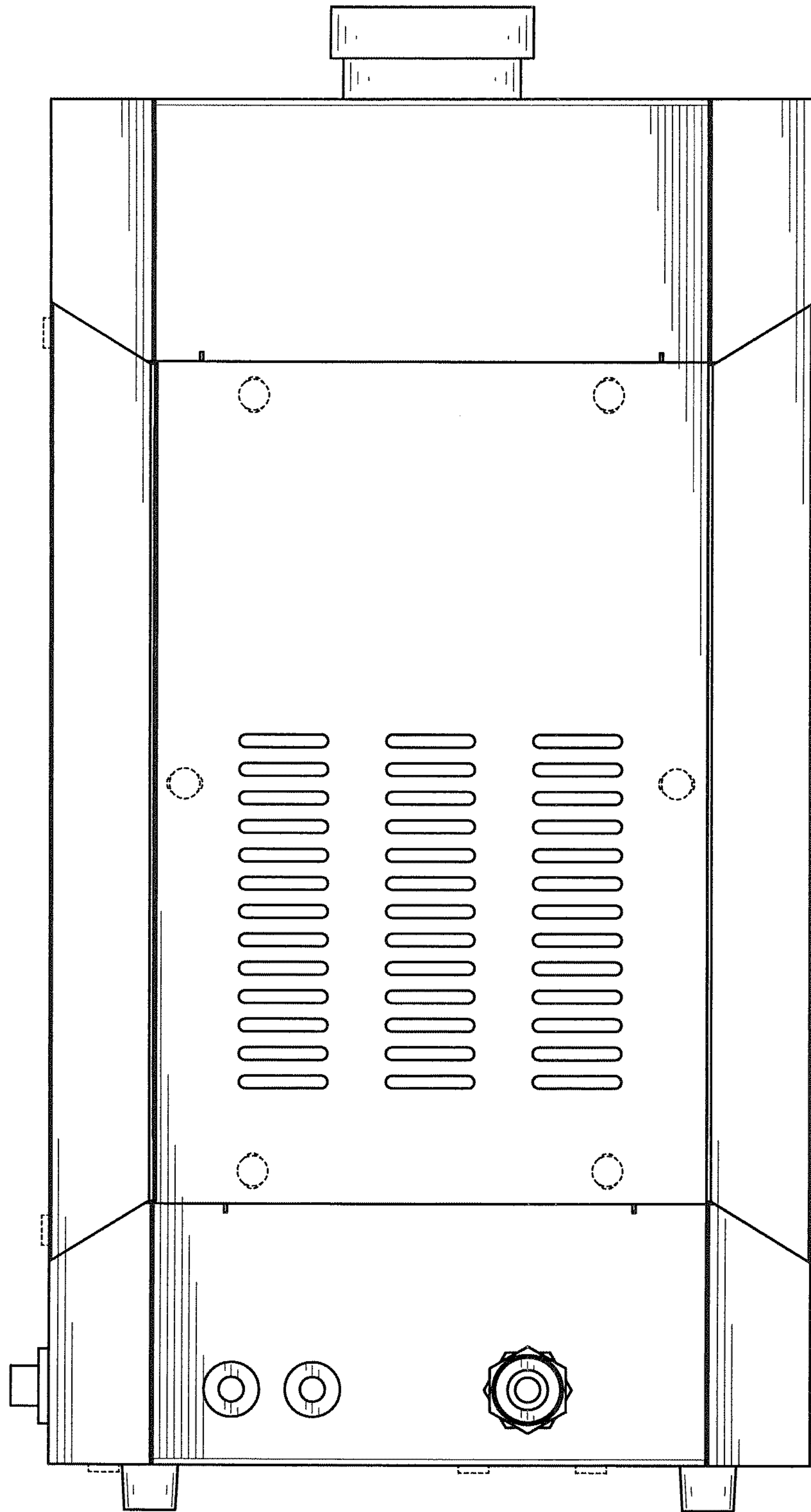


FIG. 4

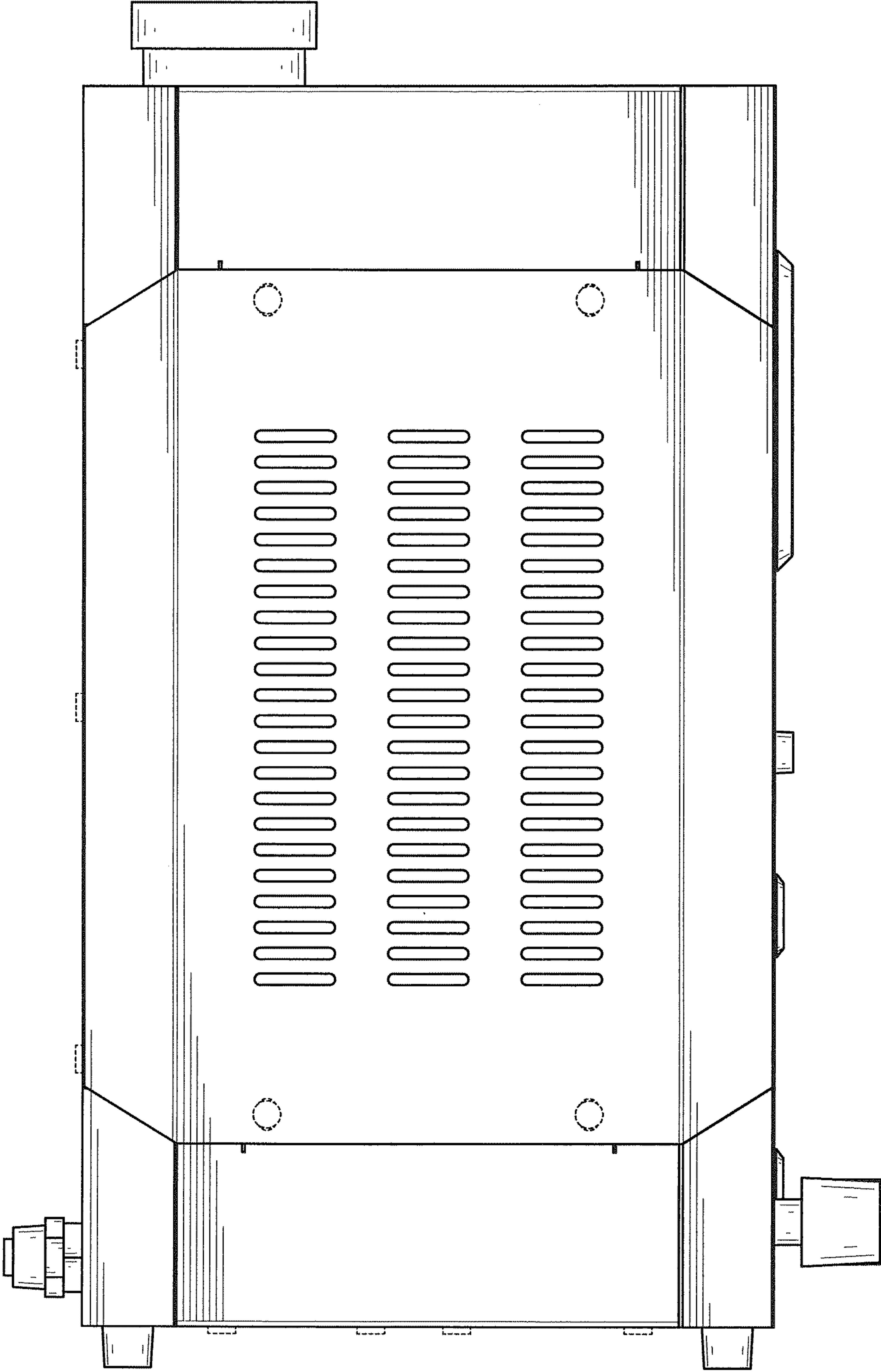


FIG. 5

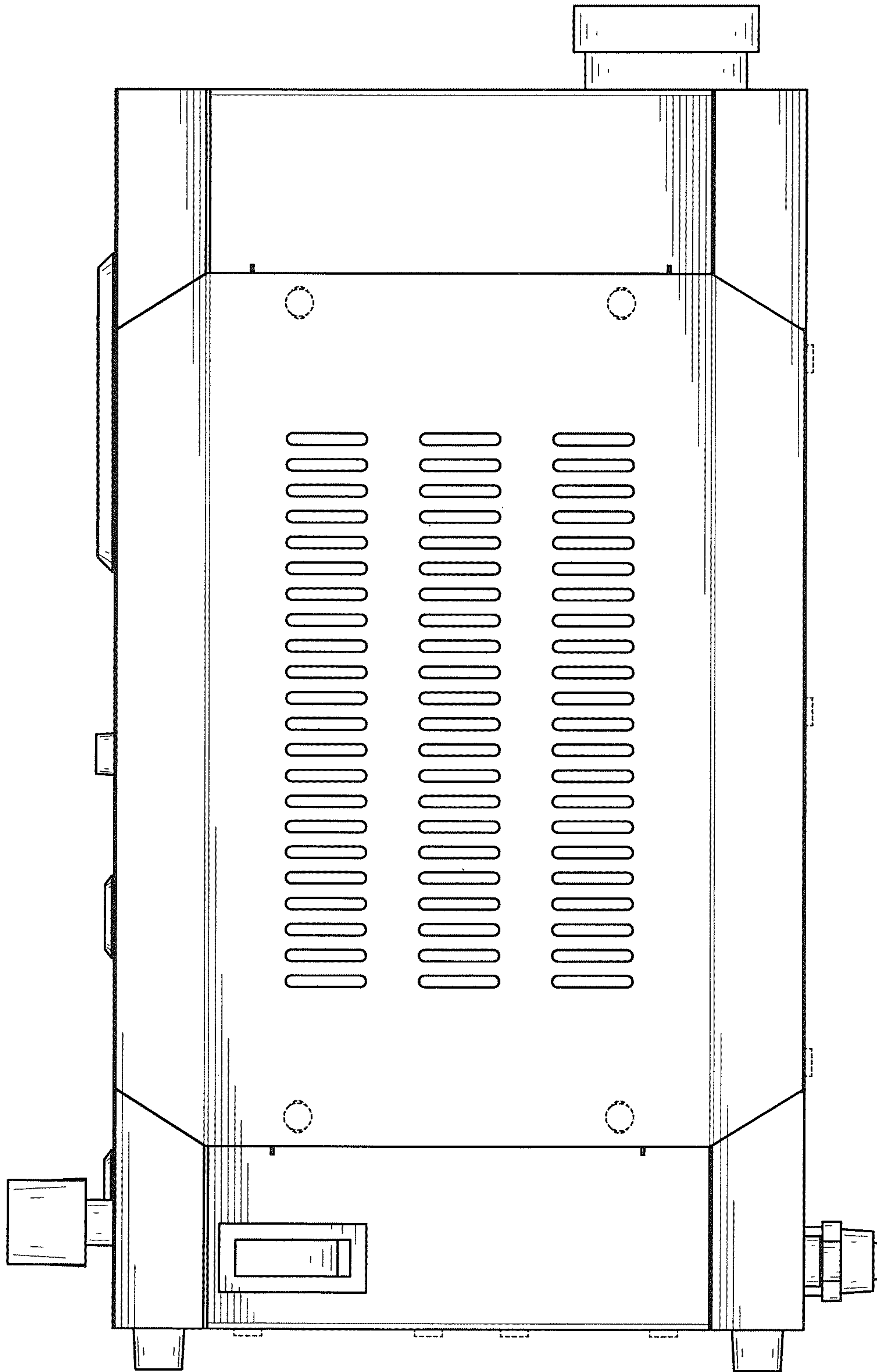


FIG. 6

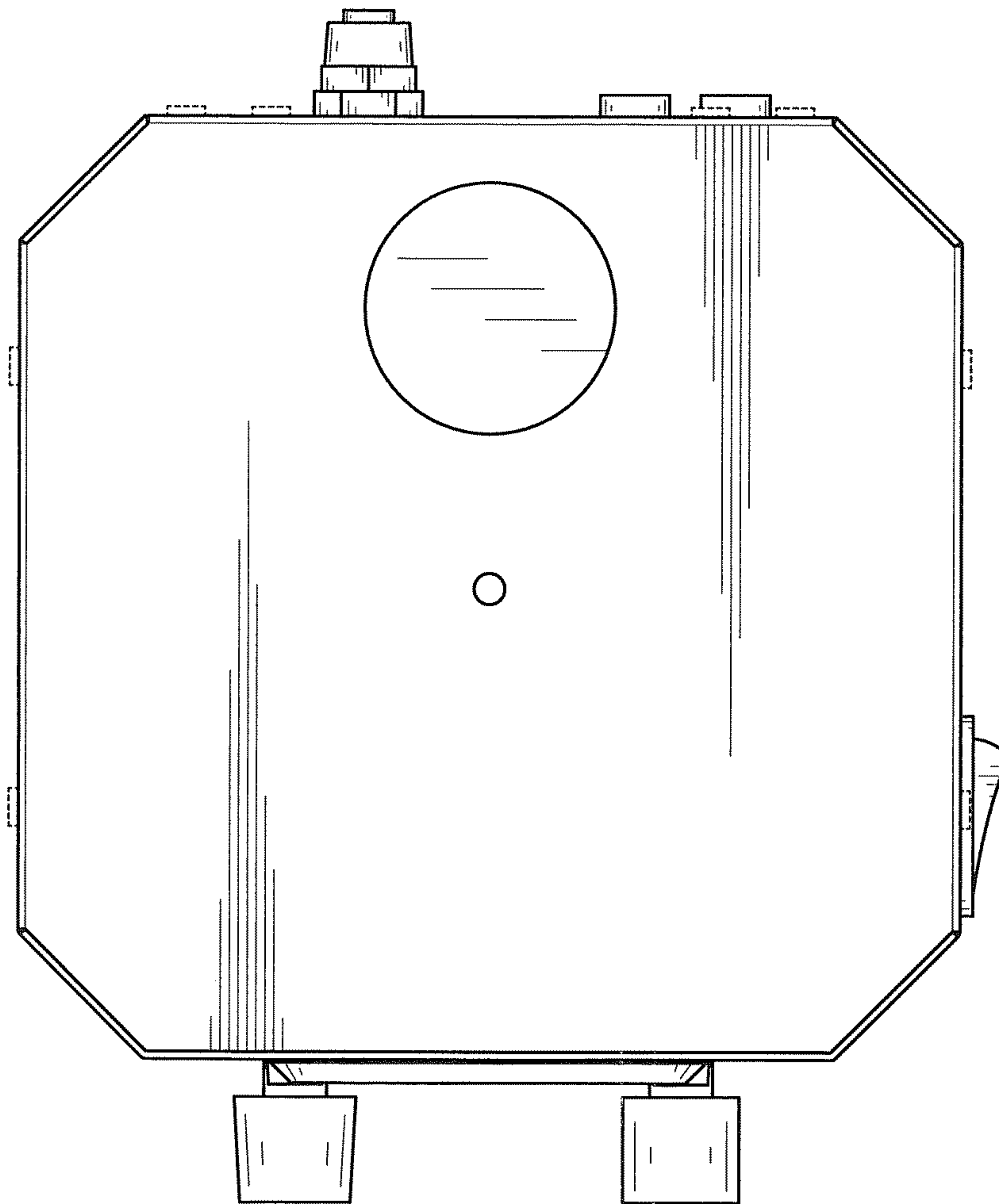


FIG. 7

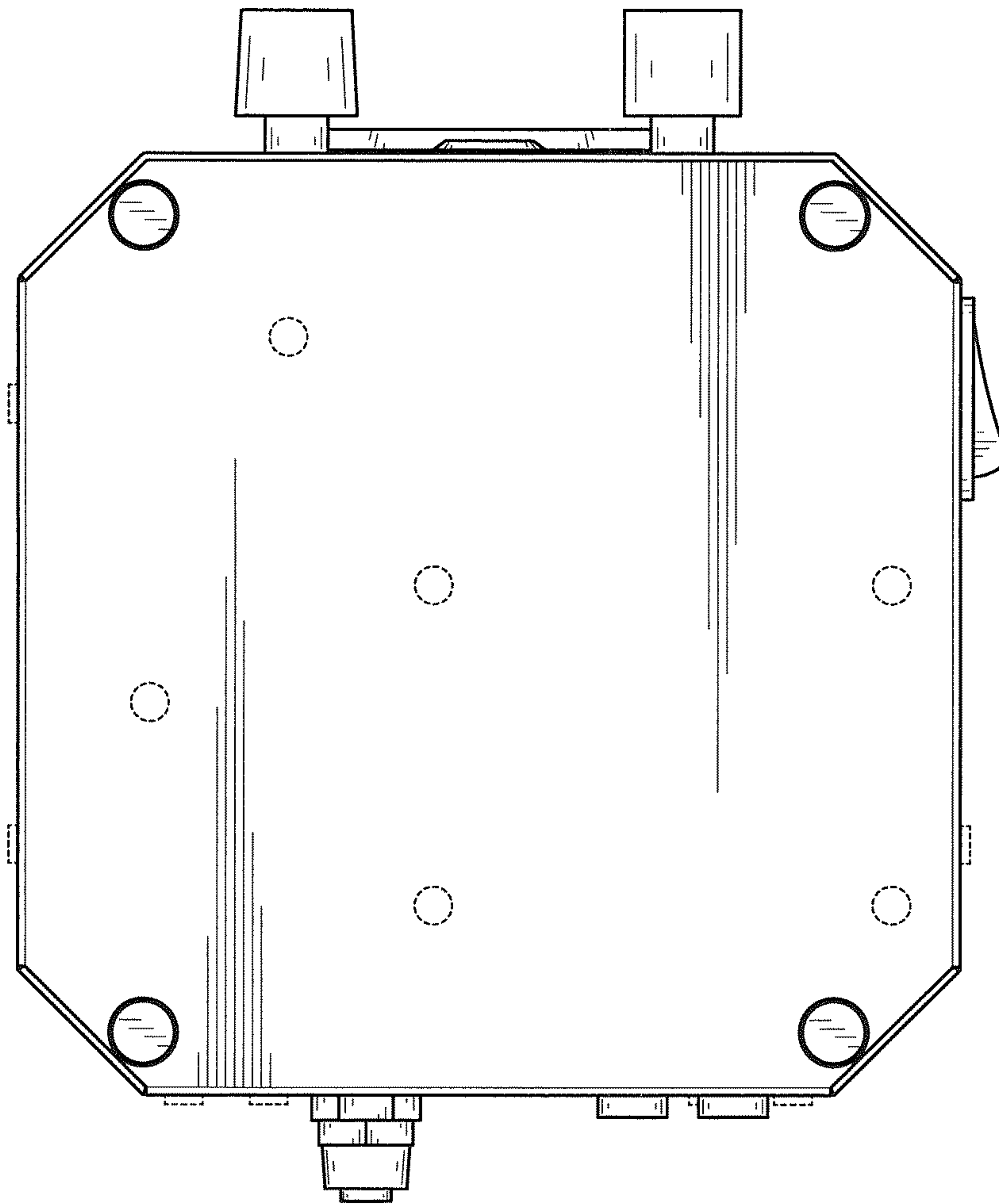


FIG. 8