

US00D890007S

(12) **United States Design Patent** (10) **Patent No.:** **US D890,007 S**  
**Koujima et al.** (45) **Date of Patent:** **\*\* Jul. 14, 2020**

(54) **WIRELESS IC TAG**

(71) Applicants: **TODA KOGYO CORP.**, Hiroshima (JP); **SECURITAG ASSEMBLY GROUP CO., LTD.**, Taichung (TW)

(72) Inventors: **Jun Koujima**, Hiroshima (JP); **Mark Chang**, Taichung (TW); **Yoshiteru Kouno**, Hiroshima (JP); **Peter Yan**, Taichung (TW)

(73) Assignees: **TODA KOGYO CORP.**, Hiroshima (JP); **SECURITAG ASSEMBLY GROUP CO., LTD.**, Taichung (TW)

(\*\*) Term: **15 Years**

(21) Appl. No.: **29/707,332**

(22) Filed: **Sep. 27, 2019**

**Related U.S. Application Data**

(63) Continuation of application No. 29/646,730, filed on May 7, 2018, now Pat. No. Des. 874,463.

(30) **Foreign Application Priority Data**

Nov. 7, 2017 (JP) ..... 2017-024866  
Nov. 7, 2017 (JP) ..... 2017-024867  
(Continued)

(51) **LOC (12) Cl.** ..... **10-05**

(52) **U.S. Cl.**  
USPC ..... **D10/106.1**

(58) **Field of Classification Search**  
USPC ..... D10/70, 97, 103, 104.1, 104.2,  
D10/106.1–106.95, 108, 114.1, 121,  
(Continued)

(56) **References Cited**

U.S. PATENT DOCUMENTS

D474,472 S \* 5/2003 Maekawa ..... D13/182  
D597,428 S \* 8/2009 Sato ..... D10/104.1

(Continued)

*Primary Examiner* — George D. Kirschbaum

*Assistant Examiner* — Joseph J Kukella

(74) *Attorney, Agent, or Firm* — Knobbe, Martens, Olson & Bear, LLP

(57) **CLAIM**

The ornamental design for a wireless IC tag, as shown and described.

**DESCRIPTION**

FIG. 1 is a front elevational view of a first embodiment of a wireless IC tag according to our new design. A rear elevational view thereof is a mirror-image of the front elevational view.

FIG. 2 is a right side elevational view thereof.

FIG. 3 is a left side elevational view thereof.

FIG. 4 is a top plan view thereof.

FIG. 5 is a cross-sectional view thereof, taken in the direction of line 5-5 in FIG. 4.

FIG. 6 is a bottom plan view thereof.

FIG. 7 is a perspective view thereof.

FIG. 8 is a front elevational view of a second embodiment of a wireless IC tag according to our new design. a rear elevational view thereof is a mirror-image of the front elevational view.

FIG. 9 is a right side elevational view thereof.

FIG. 10 is a left side elevational view thereof.

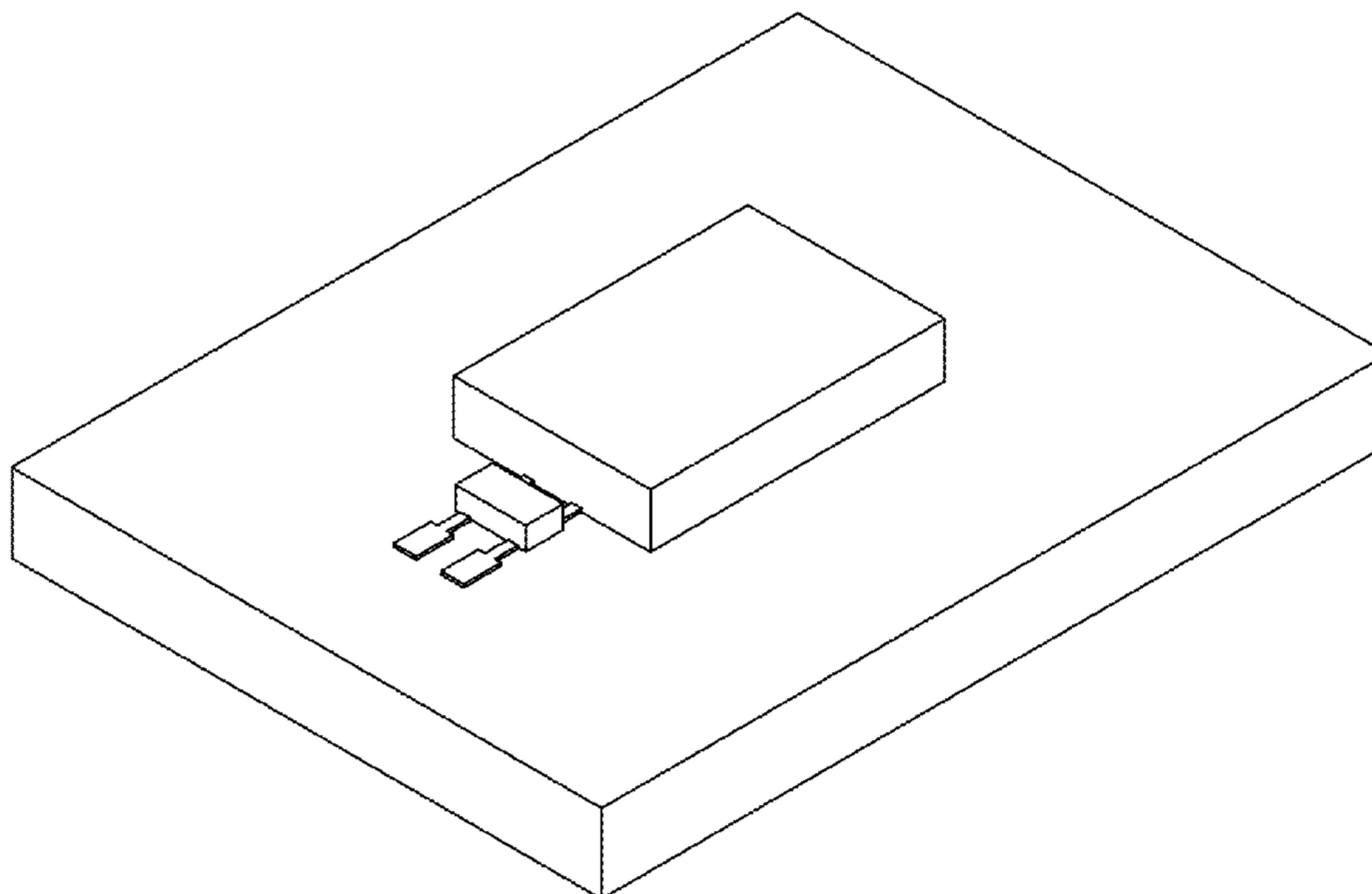
FIG. 11 is a top plan view thereof.

FIG. 12 is a bottom plan view thereof; and,

FIG. 13 is a perspective view thereof.

The broken line shown in FIG. 4 indicates a plane upon which the sectional view in FIG. 5 is taken and forms no part of the claimed design.

**1 Claim, 6 Drawing Sheets**



(30) **Foreign Application Priority Data**

Nov. 7, 2017 (JP) ..... 2017-024868  
 Nov. 7, 2017 (JP) ..... 2017-024869  
 Nov. 7, 2017 (JP) ..... 2017-024870  
 Nov. 7, 2017 (JP) ..... 2017-024871  
 Nov. 7, 2017 (JP) ..... 2017-024872  
 Nov. 7, 2017 (JP) ..... 2017-024873

D709,937 S \* 7/2014 Goldenberg ..... D16/135  
 D760,230 S \* 6/2016 Iizuka ..... D13/184  
 D767,751 S \* 9/2016 Nakai ..... D23/388  
 D794,034 S \* 8/2017 Bang ..... D14/435  
 D794,641 S \* 8/2017 Bang ..... D14/435  
 D794,642 S \* 8/2017 Bang ..... D14/435  
 D794,643 S \* 8/2017 Bang ..... D14/435  
 D794,644 S \* 8/2017 Bang ..... D14/435  
 D795,261 S \* 8/2017 Bang ..... D14/435  
 D795,262 S \* 8/2017 Bang ..... D14/435  
 D806,044 S \* 12/2017 Lizuka ..... D13/182  
 D838,201 S \* 1/2019 Laird ..... D10/104.1  
 D839,272 S \* 1/2019 Seo ..... D14/435  
 D848,296 S \* 5/2019 Laird ..... D10/104.1  
 D855,617 S \* 8/2019 Williams ..... D14/436  
 D874,463 S \* 2/2020 Koujima ..... D14/437

(58) **Field of Classification Search**

USPC ..... D10/123–126, 132; D14/435, 437;  
 D16/202, 203, 214, 215  
 CPC ..... G08B 17/00; G08B 17/06; G08B 17/10;  
 G08B 17/11; G08B 17/12; G08B 17/103;  
 G08B 17/107; G08B 21/02; G08B  
 21/0202; G08B 21/0205; H04N 5/2251;  
 H04N 5/2252; H04N 5/2253; H04N  
 5/2254

See application file for complete search history.

\* cited by examiner

(56) **References Cited**

U.S. PATENT DOCUMENTS

D686,931 S \* 7/2013 Kaufman ..... D10/106.8  
 D686,932 S \* 7/2013 Kaufman ..... D10/106.8

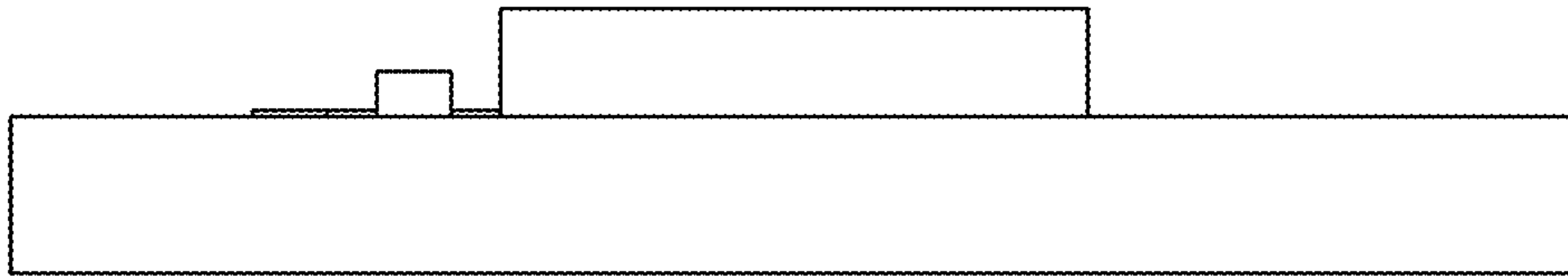


FIG. 1

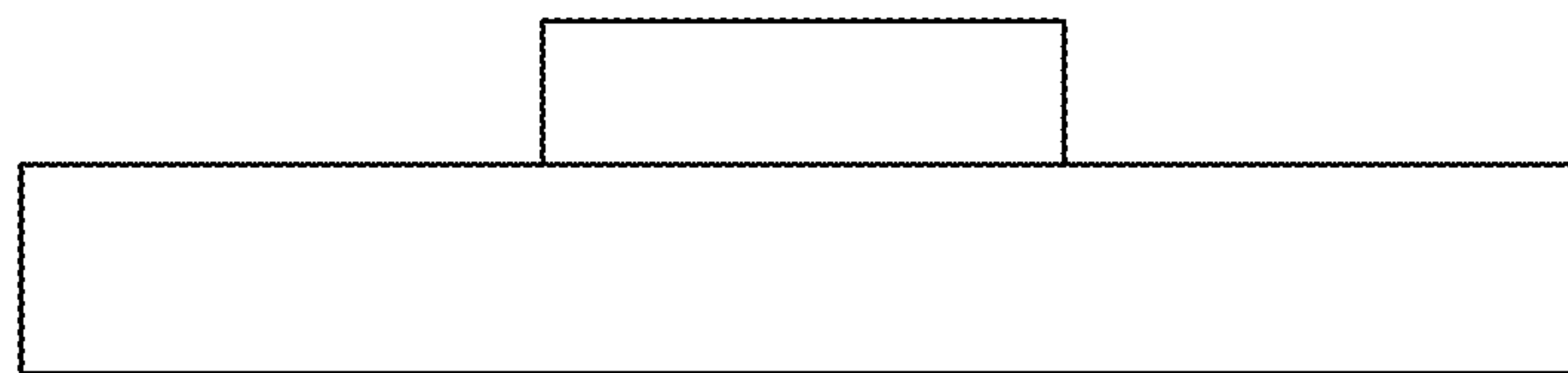


FIG. 2

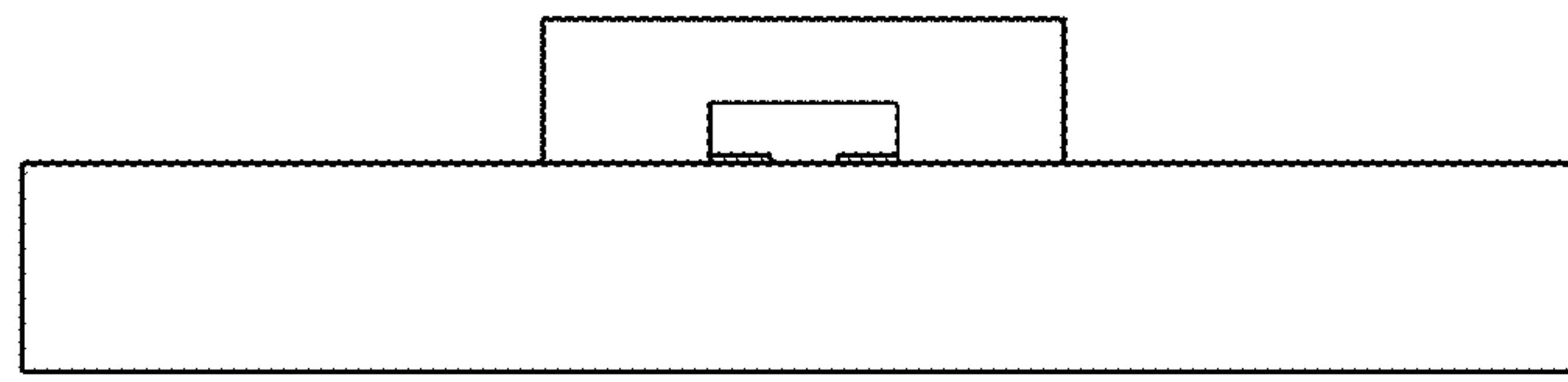


FIG. 3

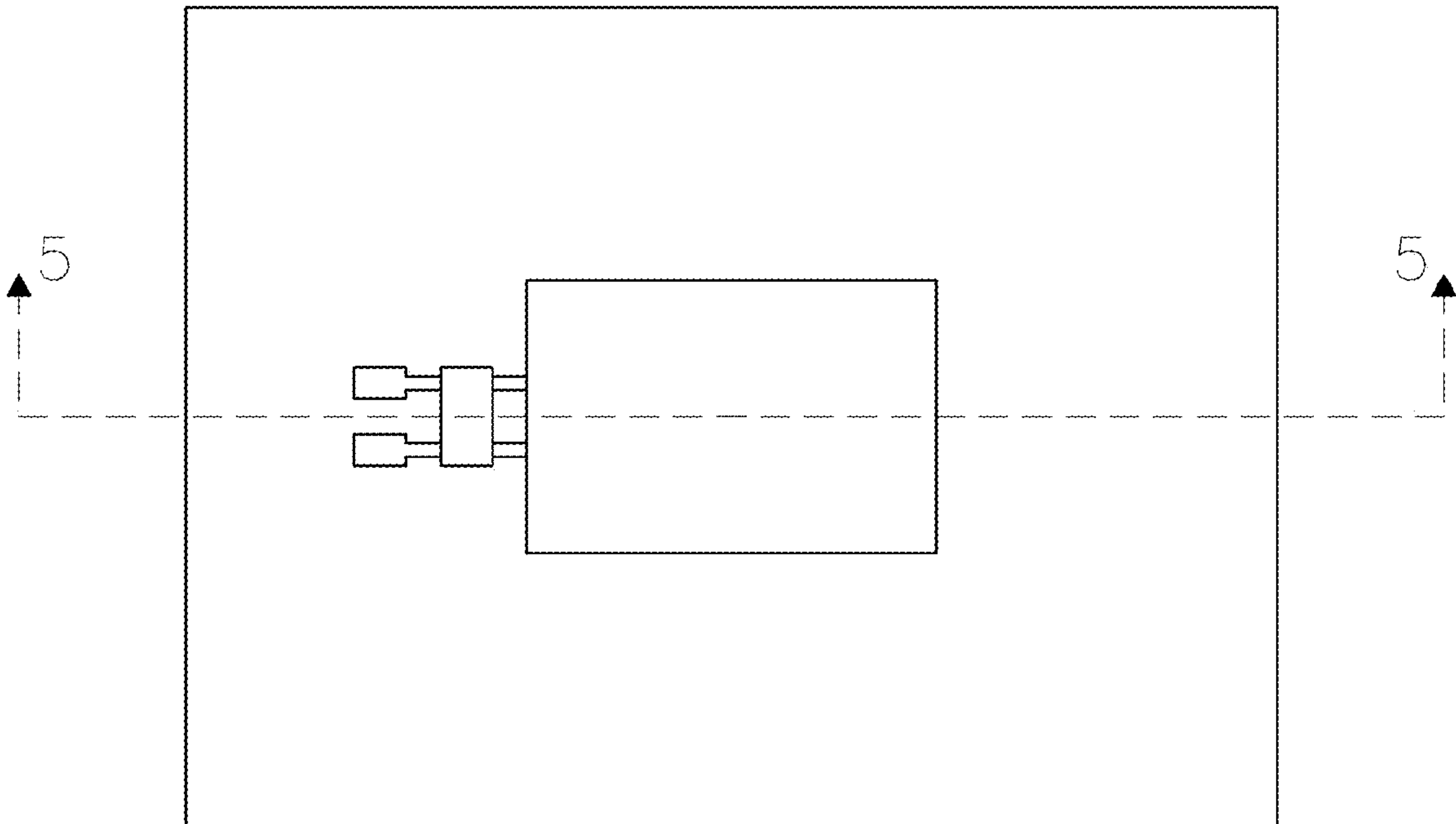


FIG. 4

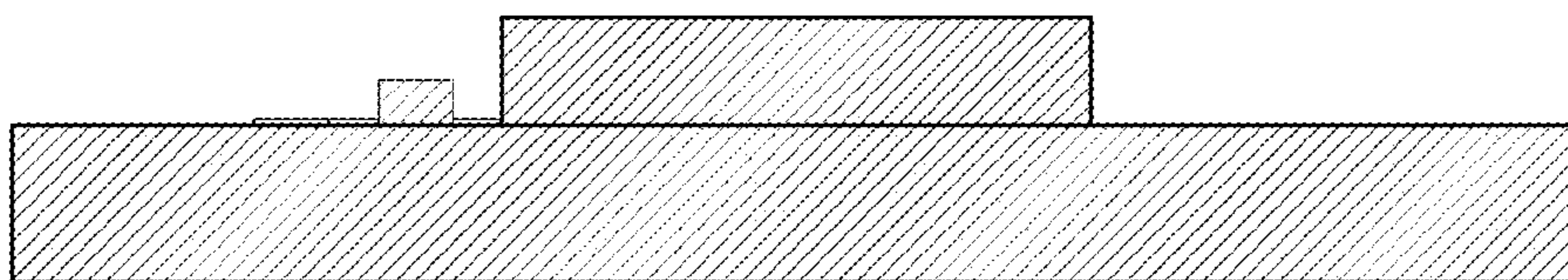


FIG. 5

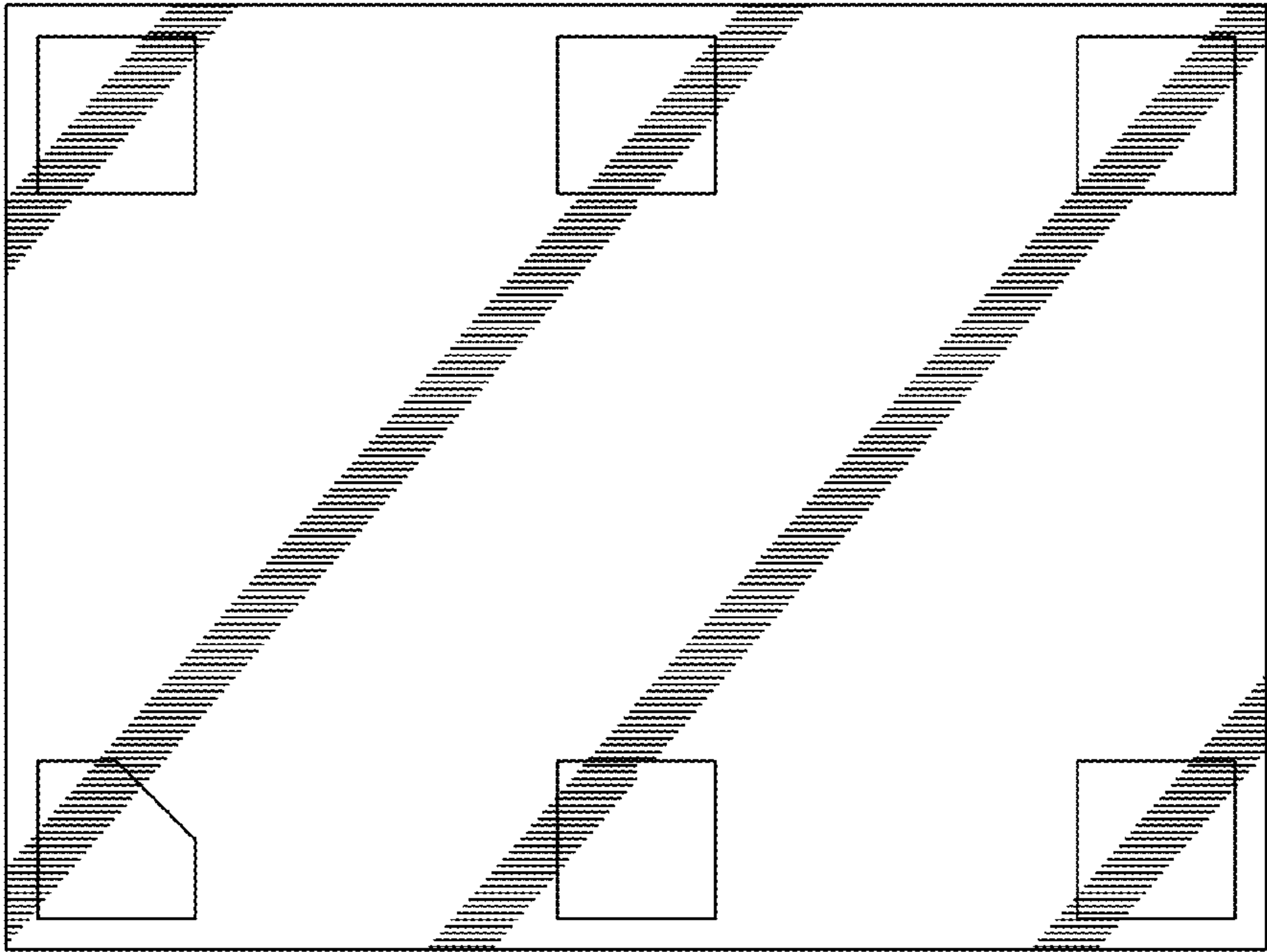


FIG. 6

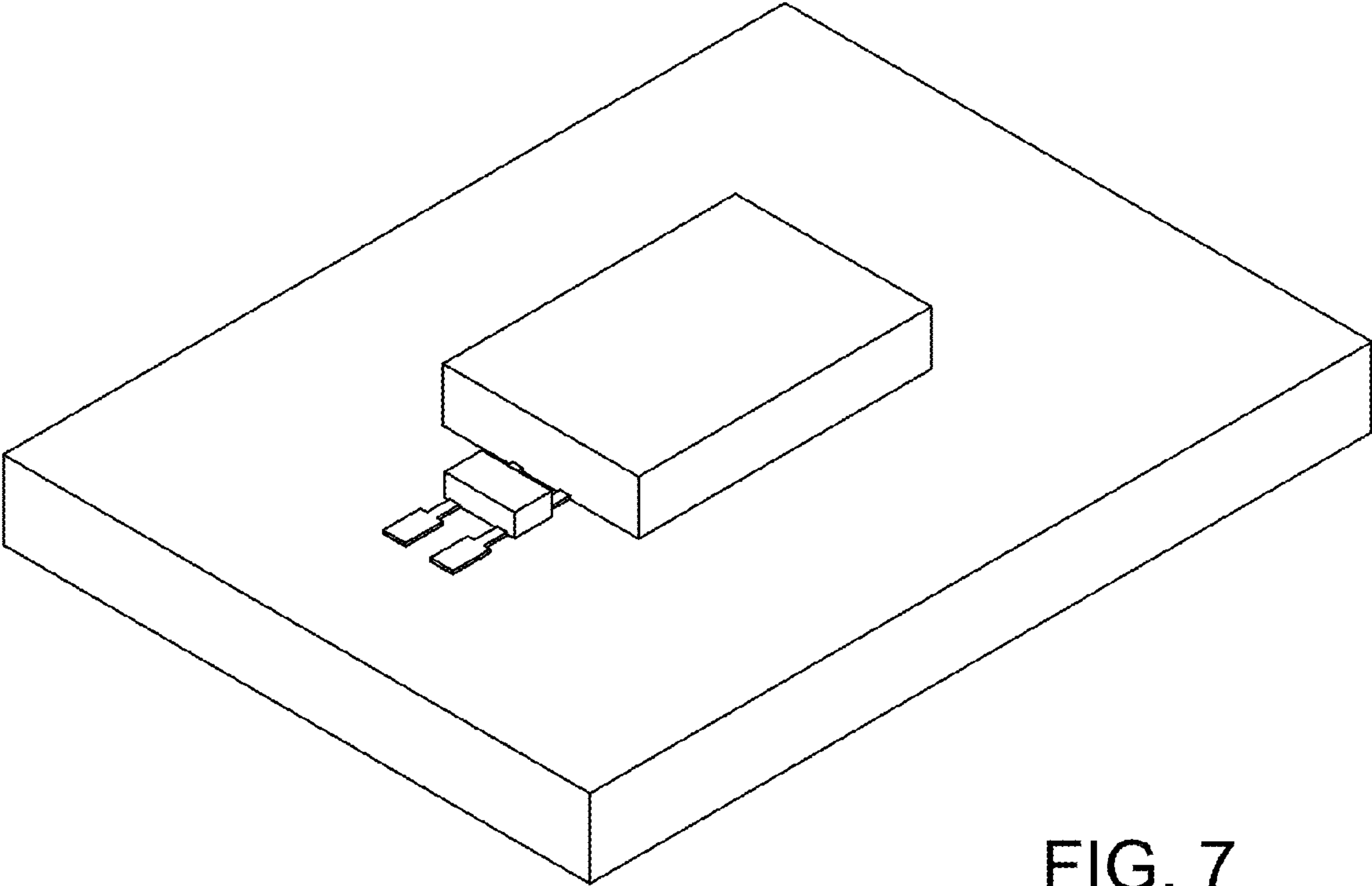


FIG. 7

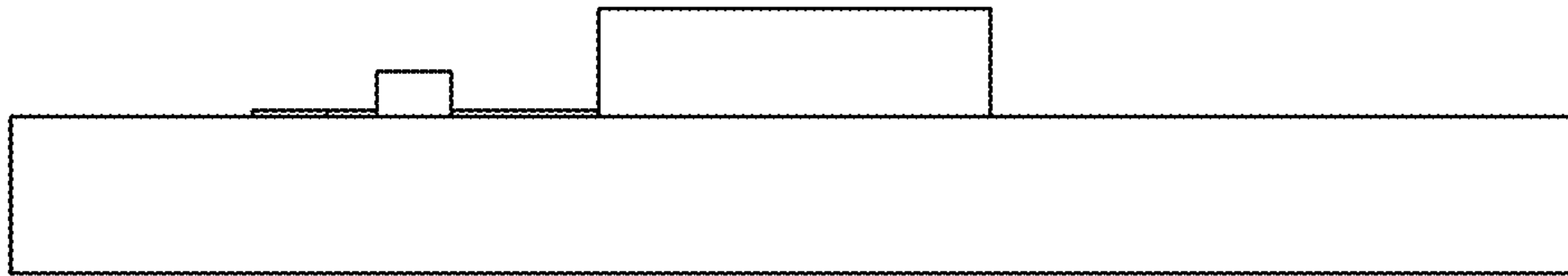


FIG. 8

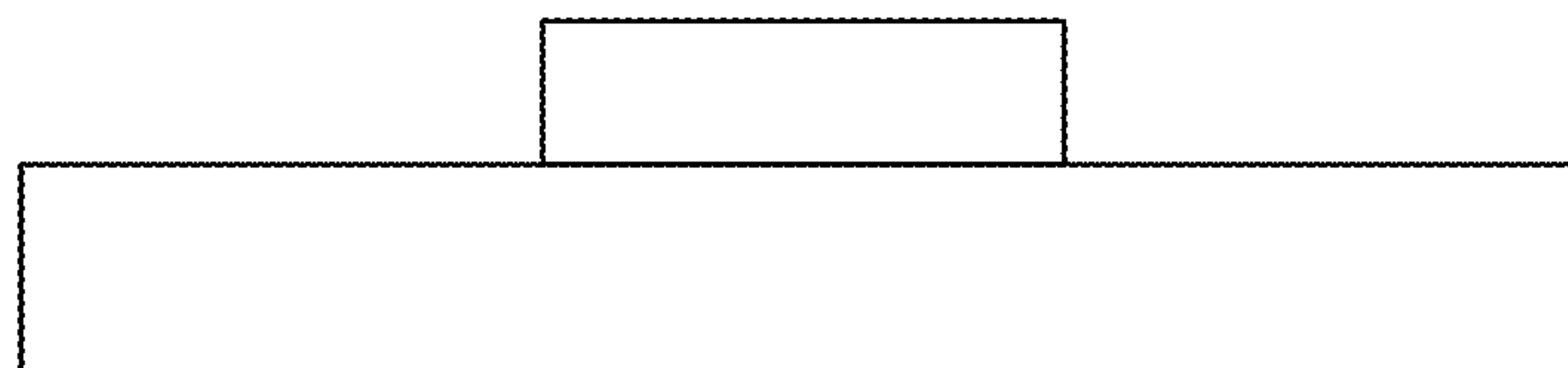


FIG. 9

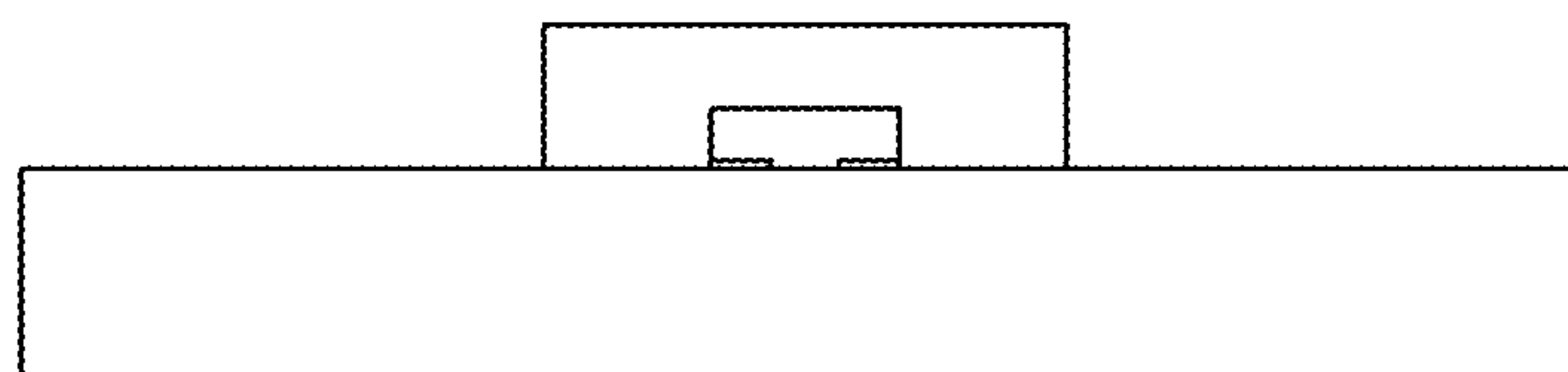


FIG. 10

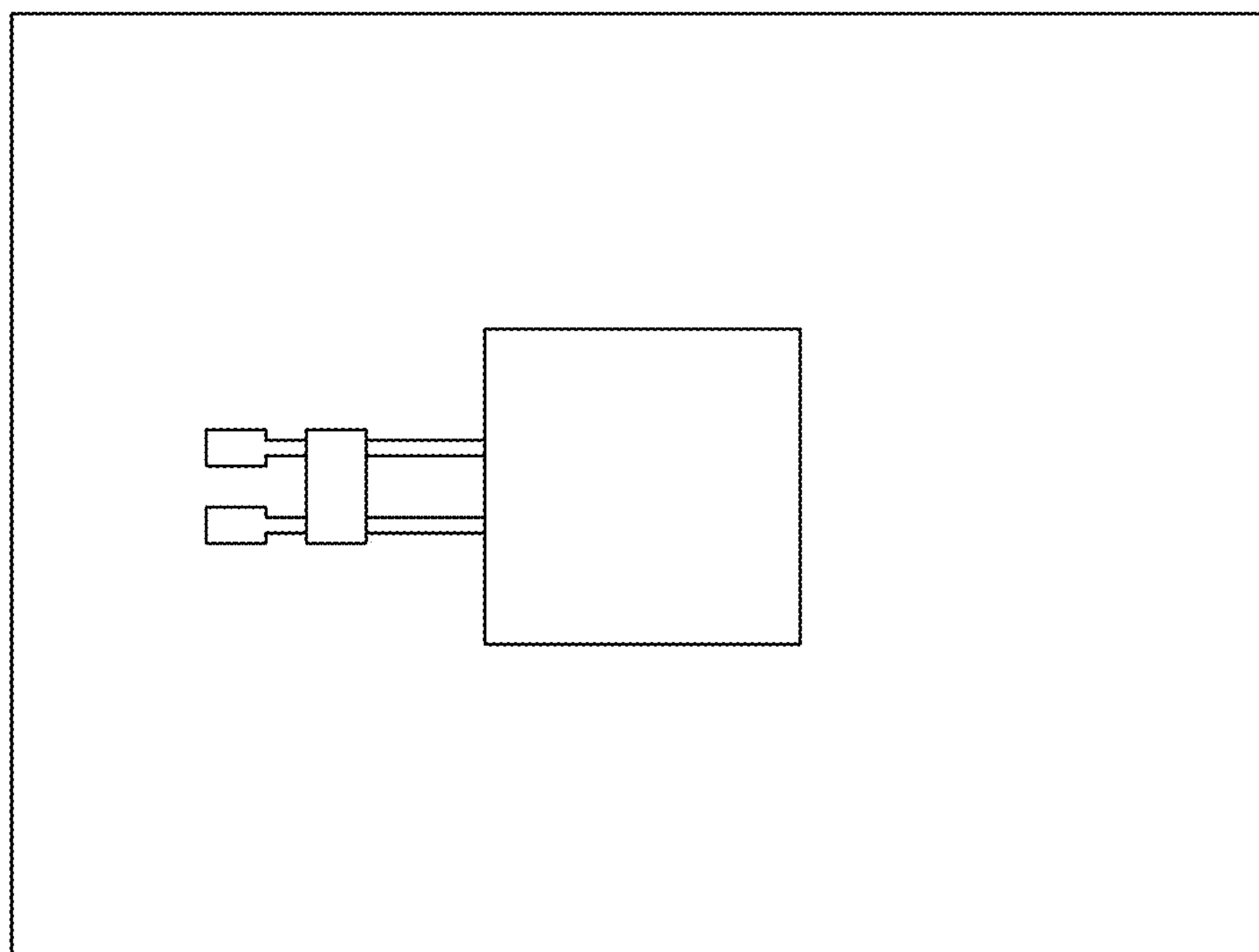


FIG. 11



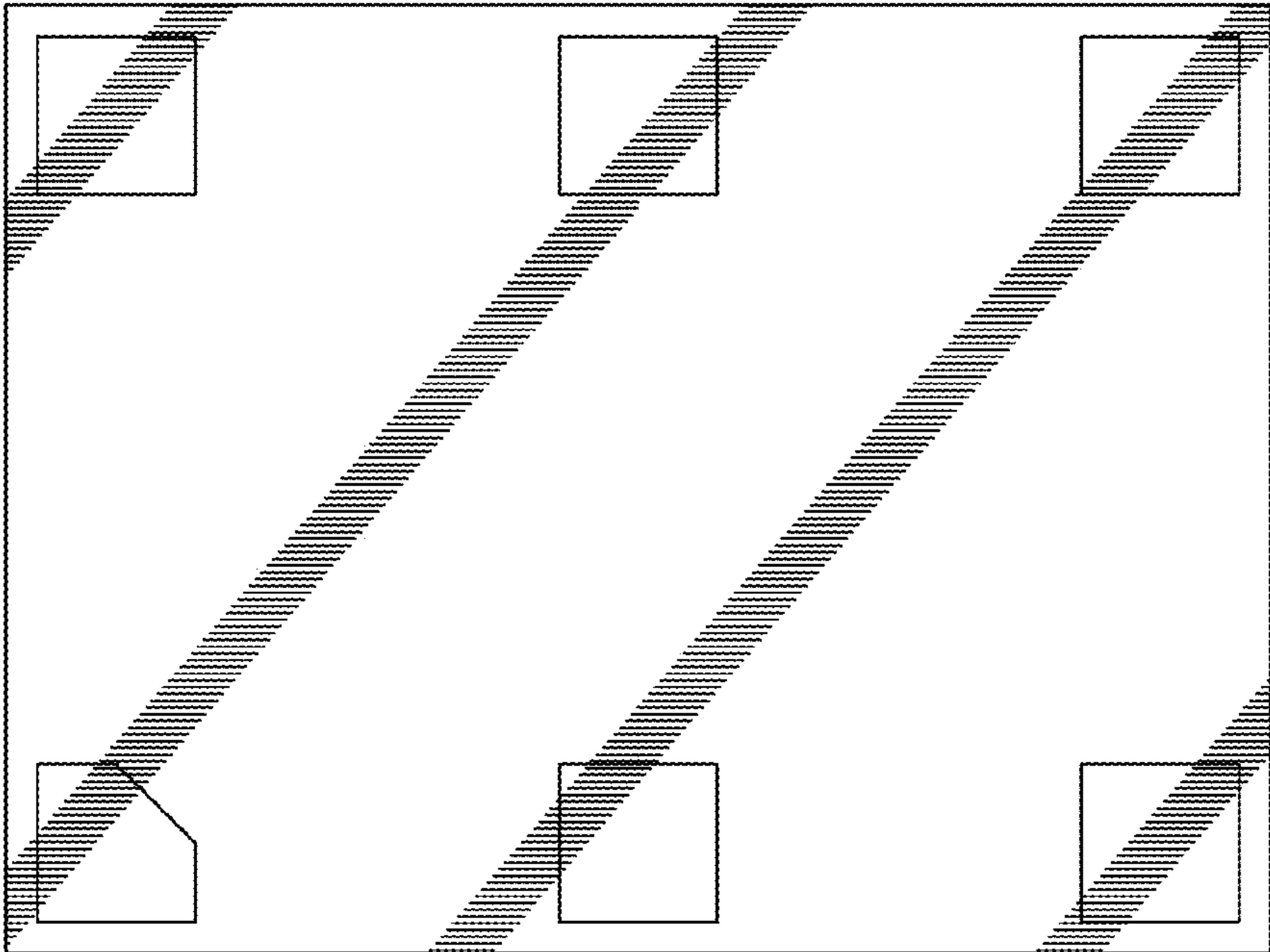


FIG. 12

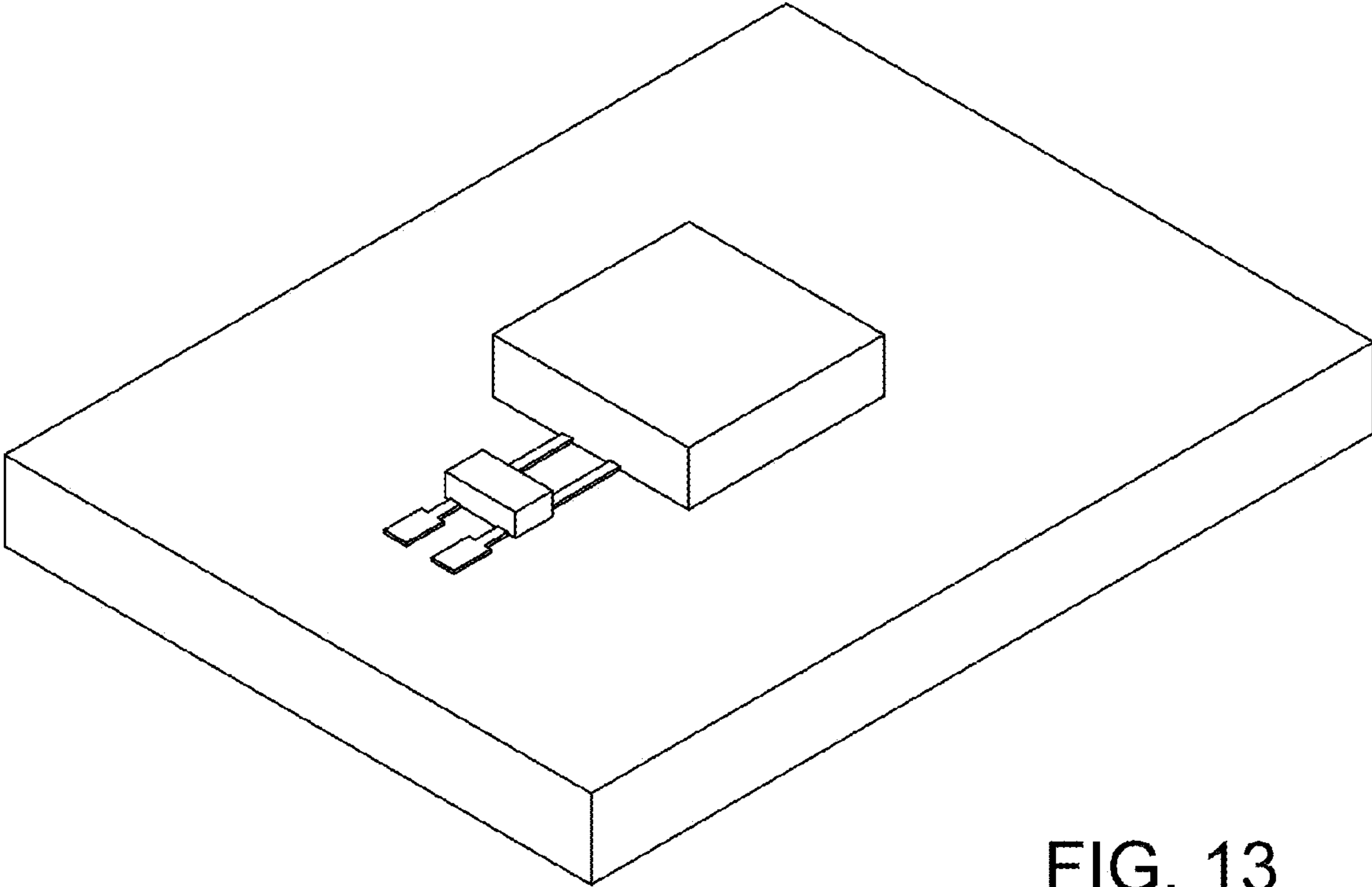


FIG. 13