



US00D890006S

(12) **United States Design Patent**
Takano et al.

(10) **Patent No.:** **US D890,006 S**

(45) **Date of Patent:** **** Jul. 14, 2020**

(54) **SENSOR HOUSING**

(71) Applicant: **YOKOGAWA ELECTRIC CORPORATION**, Tokyo (JP)

(72) Inventors: **Naoto Takano**, Tokyo (JP); **Xiaojian Guo**, Tokyo (JP); **Yuuta Oohara**, Tokyo (JP)

(**) Term: **15 Years**

(21) Appl. No.: **35/506,478**

(22) Filed: **Sep. 27, 2018**

(80) **Hague Agreement Data**

Int. Filing Date: **Sep. 27, 2018**

Int. Reg. No.: **DM/200082**

Int. Reg. Date: **Sep. 27, 2018**

Int. Reg. Pub. Date: **Mar. 29, 2019**

(51) **LOC (12) Cl.** **10-05**

(52) **U.S. Cl.**
USPC **D10/104.1**

(58) **Field of Classification Search**
USPC D10/70, 47; D14/216, 209, 496
See application file for complete search history.

(56) **References Cited**

U.S. PATENT DOCUMENTS

D519,860 S * 5/2006 Bugbee D10/47
D691,587 S * 10/2013 Ferber D14/216

D729,772 S * 5/2015 Ferber D14/216
D821,232 S * 6/2018 Ewringmann D10/70
D843,419 S * 3/2019 Vaclavik D14/496
D848,292 S * 5/2019 Laurans D10/70
D852,071 S * 6/2019 Laurans D10/70
D865,709 S * 11/2019 Gentle D14/209
D866,368 S * 11/2019 Ahn D10/70
D870,704 S * 12/2019 Leung D14/216

* cited by examiner

Primary Examiner — George D. Kirschbaum

(57) **CLAIM**

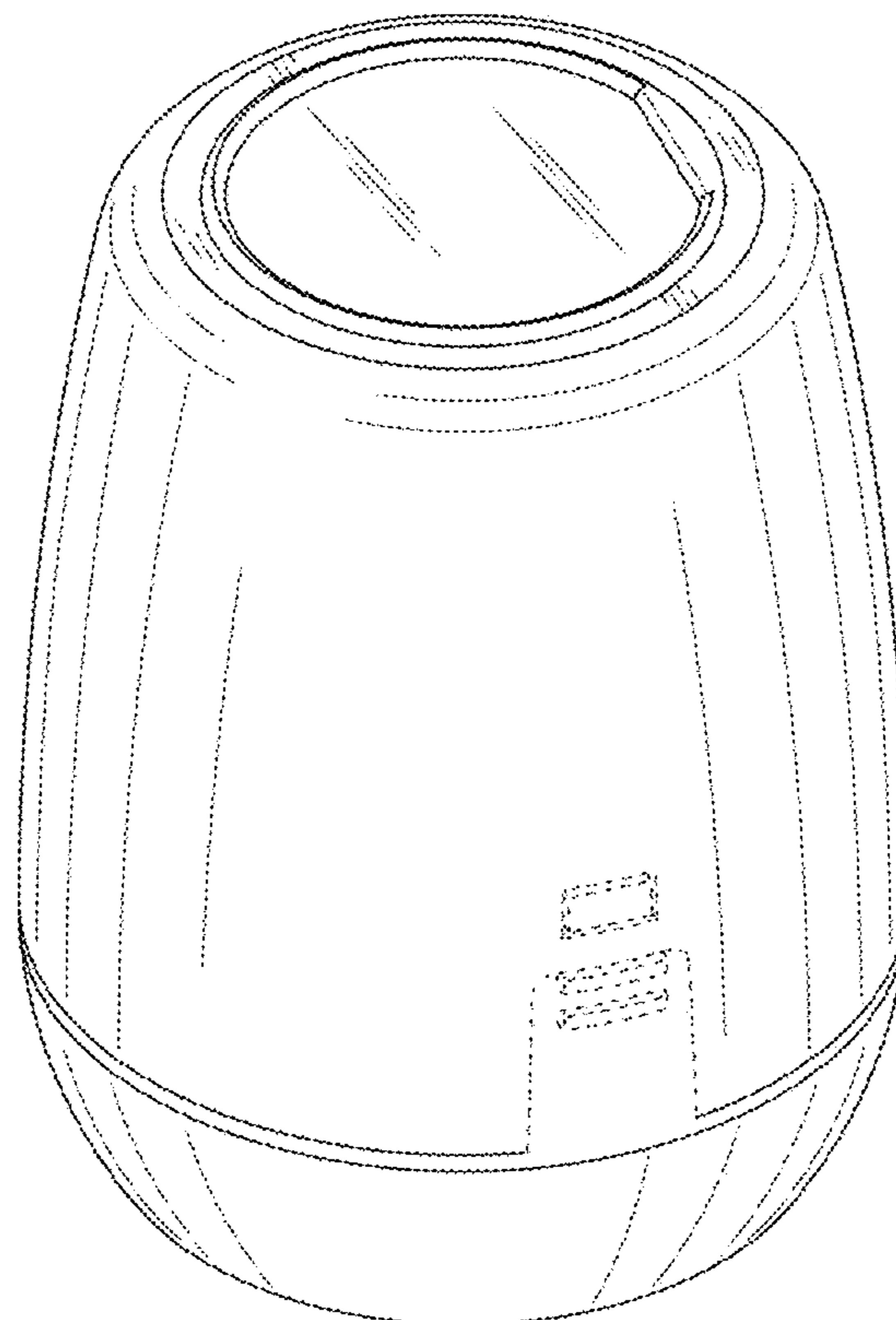
The ornamental design for a sensor housing, as shown and described.

DESCRIPTION

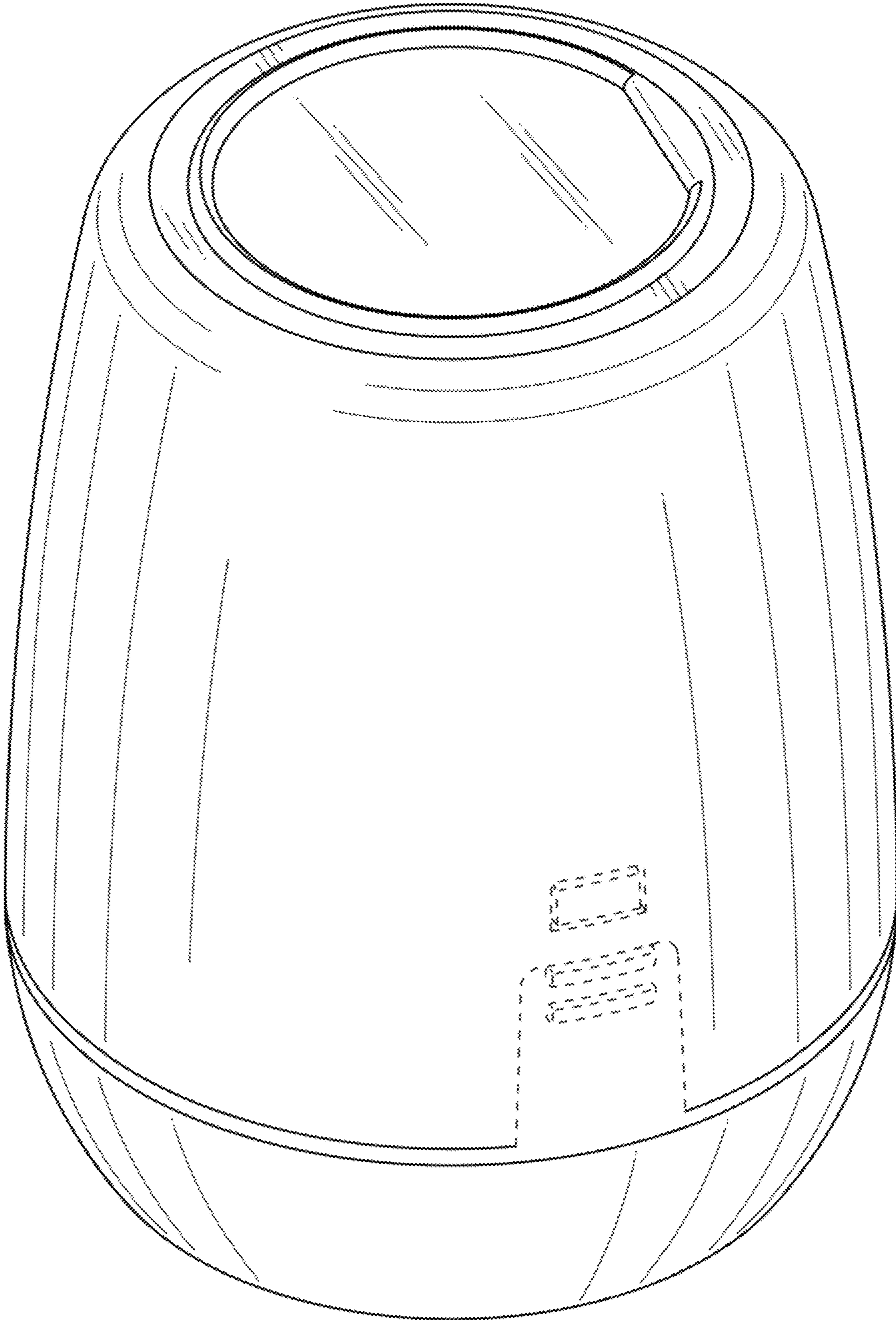
- 1.1 is a top perspective view.
- 1.2 is a second top perspective view.
- 1.3 is a side view.
- 1.4 is a second side view.
- 1.5 is a top view.
- 1.6 is a bottom view.
- 1.7 is a third side view.
- 1.8 is a fourth side view.

The broken line showing is included for the purpose of illustrating portions of the “article” and forms no part of the claimed design.

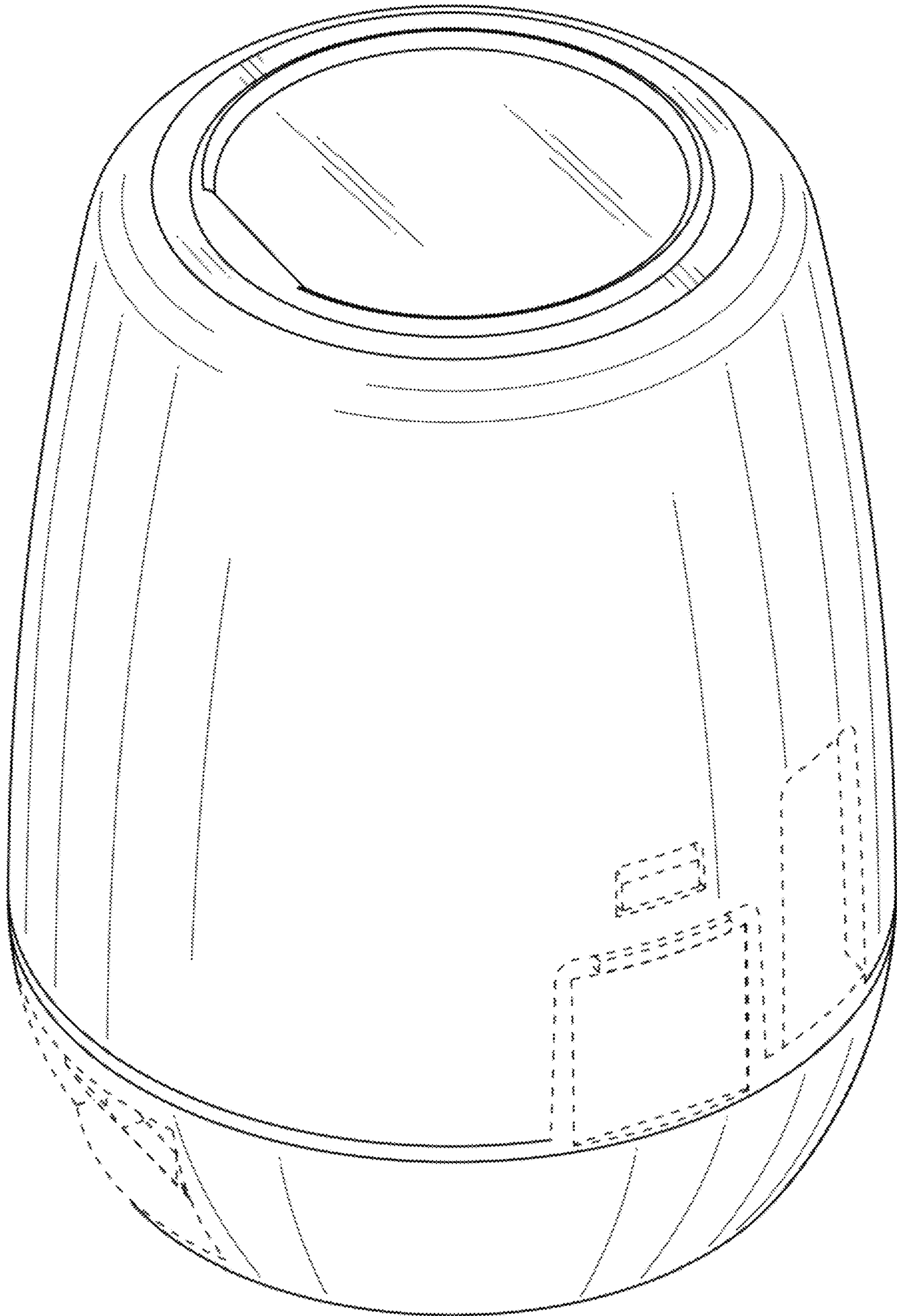
1 Claim, 8 Drawing Sheets



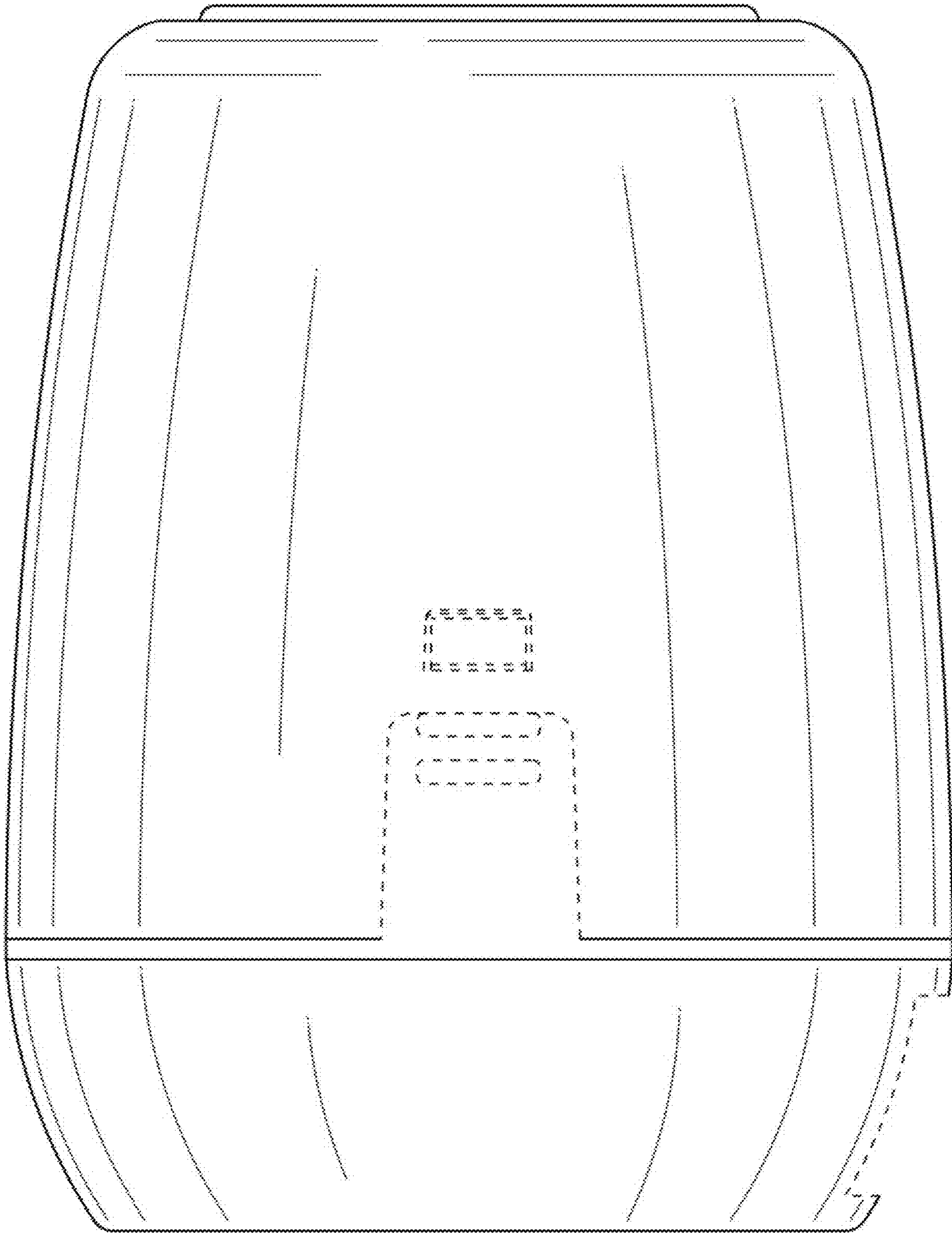
1.1



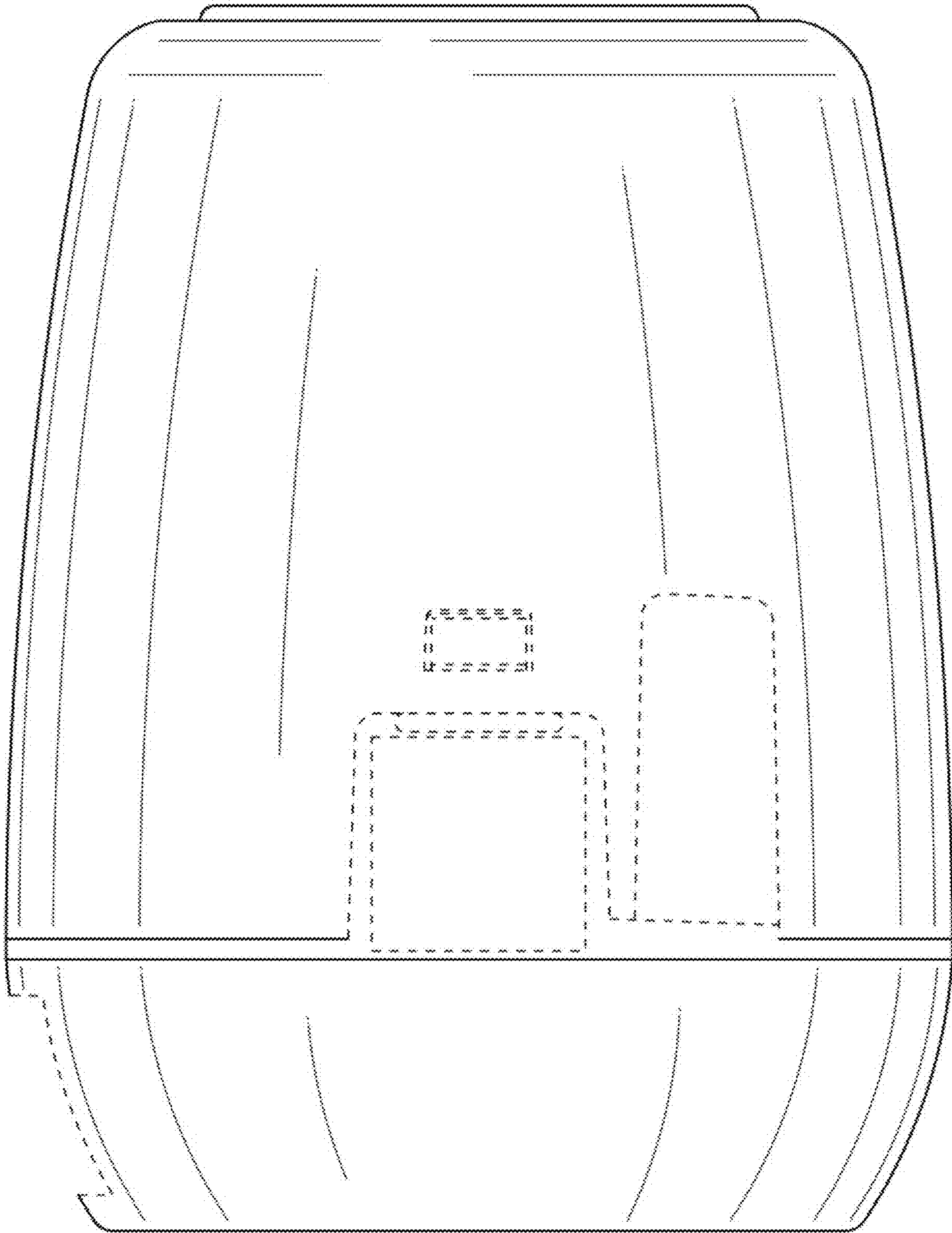
1.2



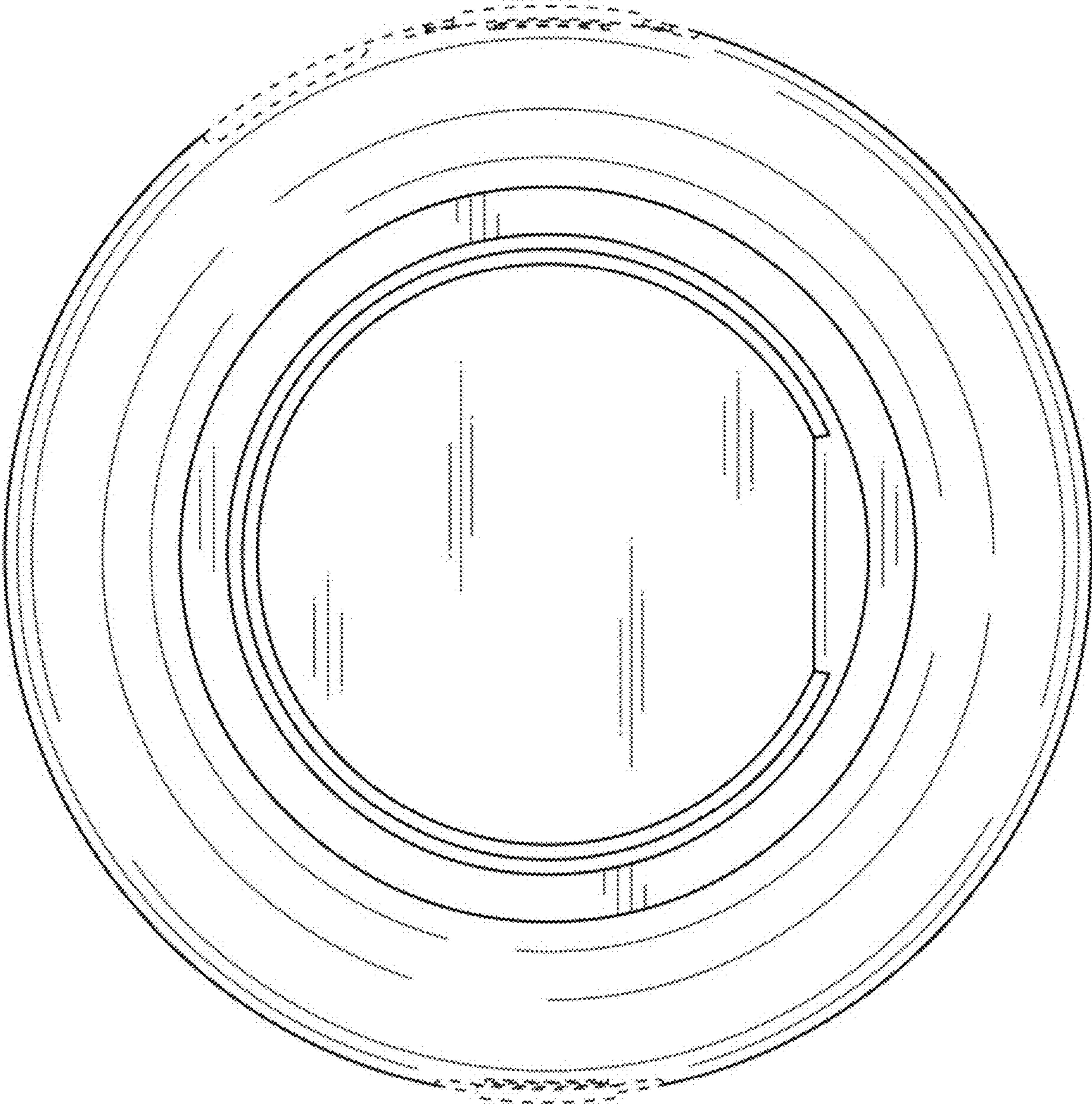
1.3



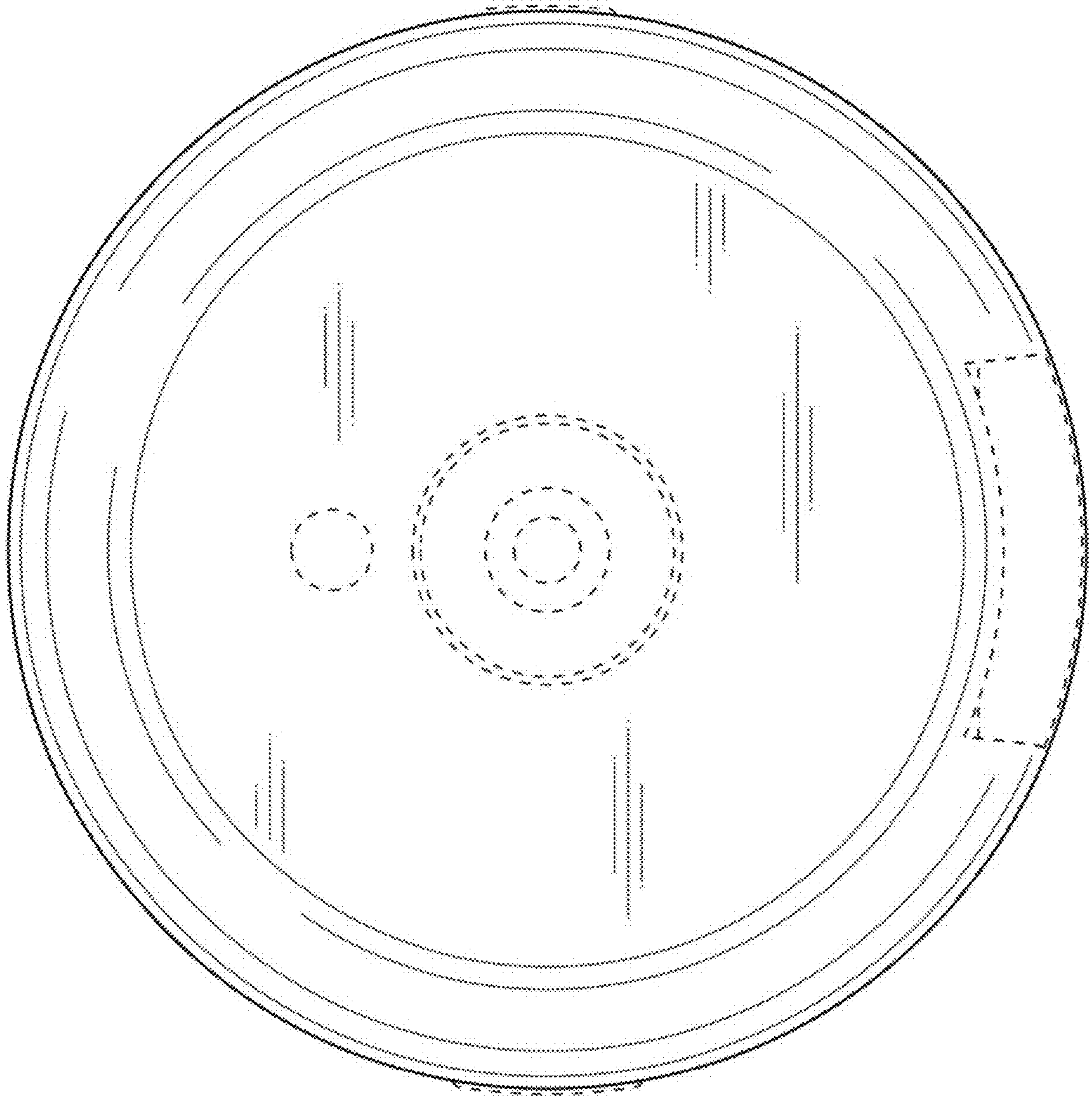
1.4



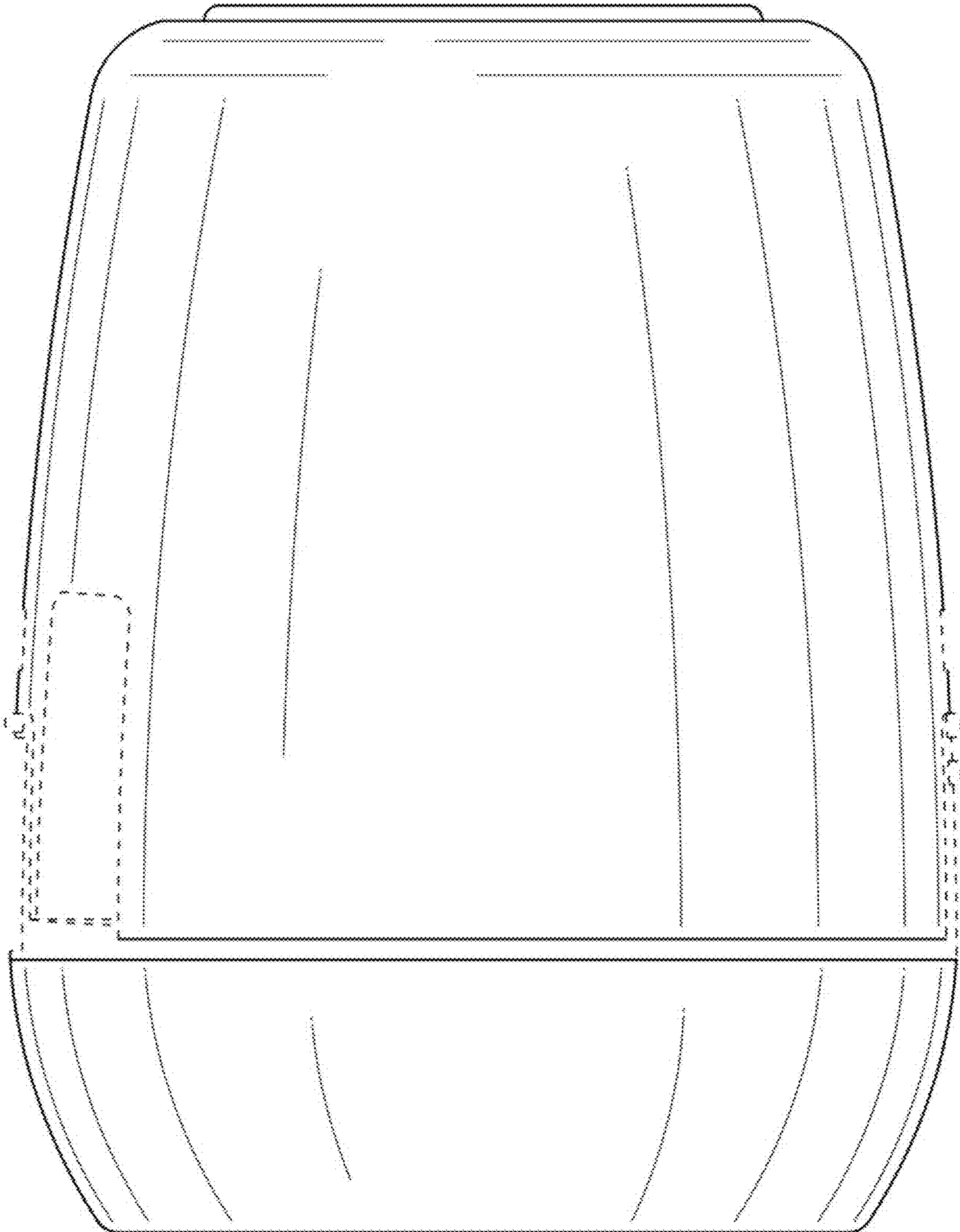
1.5



1.6



1.7



1.8

