



US00D890003S

(12) **United States Design Patent** (10) **Patent No.:** **US D890,003 S**
Martínez De Sarasa (45) **Date of Patent:** **** Jul. 14, 2020**

(54) **FIELD METER**

(71) Applicant: **WAVECONTROL, S.L.**, Barcelona (ES)
 (72) Inventor: **Ramón Martínez De Sarasa**, Llinars del Vallès (ES)
 (73) Assignee: **WAVECONTROL, S.L.**, Barcelona (ES)

(**) Term: **15 Years**

(21) Appl. No.: **29/685,680**

(22) Filed: **Mar. 29, 2019**

(30) **Foreign Application Priority Data**

Oct. 1, 2018 (EM) 005682028-0001

(51) **LOC (12) Cl.** **10-04**

(52) **U.S. Cl.**
USPC **D10/78; D10/81**

(58) **Field of Classification Search**
 USPC D10/78, 81
 CPC G01R 29/08; G01R 29/0807;
 G01R 29/0814; G01R 29/0821; G01R
 29/0828; G01R 29/0835; G01R 29/0842;
 G01R 29/085; G01R 29/0857; G01R
 29/0864; G01R 29/0871; G01R 29/0878;
 G01R 29/0885; G01R 29/0892

See application file for complete search history.

(56) **References Cited**

U.S. PATENT DOCUMENTS

D392,906 S * 3/1998 Shestock D10/78
 D458,367 S * 6/2002 Zaspel D24/119
 D842,997 S * 3/2019 Yanke D24/186
 10,416,332 B2 * 9/2019 Lin G01R 29/085

* cited by examiner

Primary Examiner — Antoine Duval Davis

(74) *Attorney, Agent, or Firm* — Ross T. Robinson

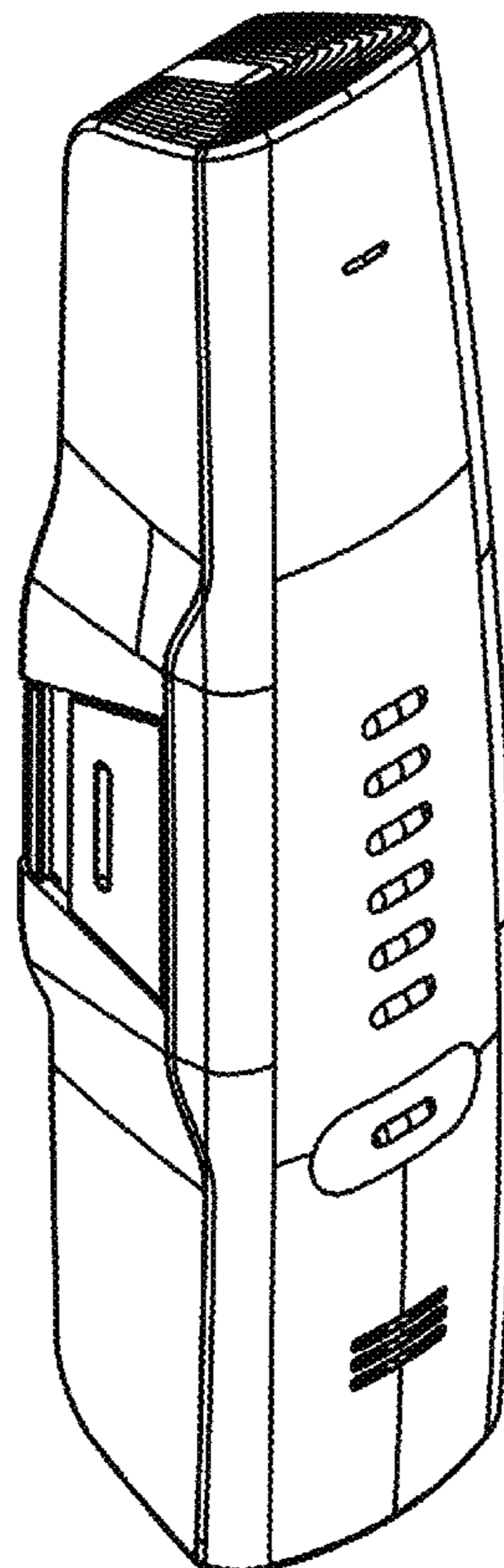
(57) **CLAIM**

The ornamental design for a field meter, as shown and described.

DESCRIPTION

FIG. 1 is a perspective view of a field meter in accordance with the design;
 FIG. 2 is a front view thereof;
 FIG. 3 is a back view thereof;
 FIG. 4 is a left side view thereof;
 FIG. 5 is a right side view thereof;
 FIG. 6 is a top plan view thereof; and,
 FIG. 7 is a bottom plan view thereof.

1 Claim, 7 Drawing Sheets



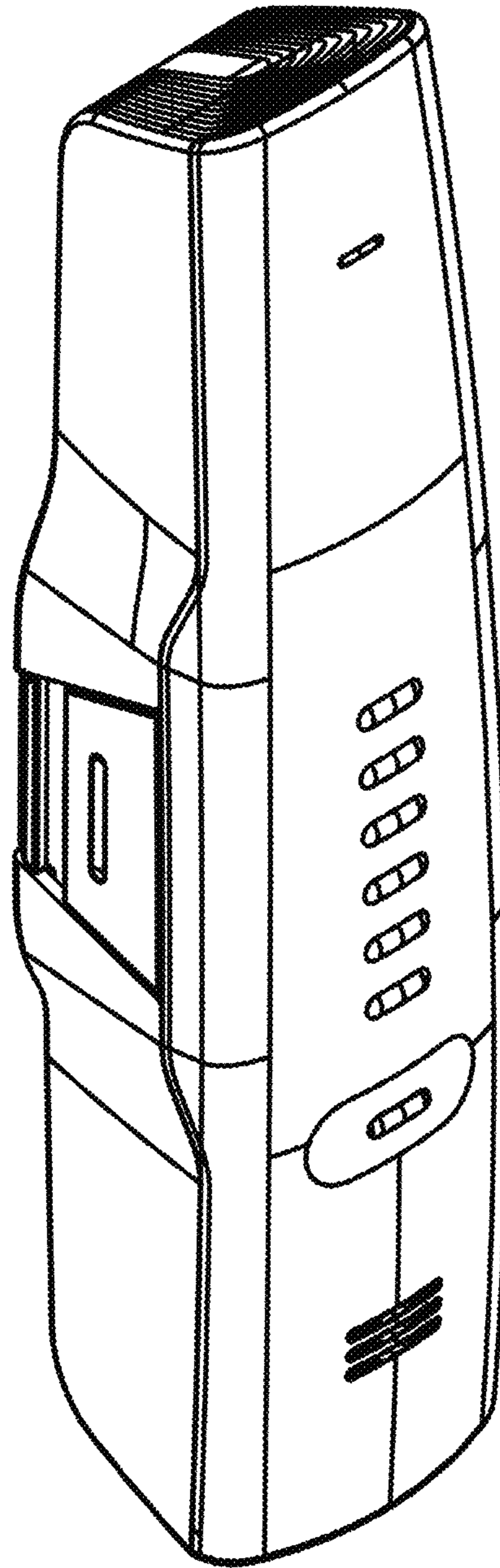


FIGURE 1

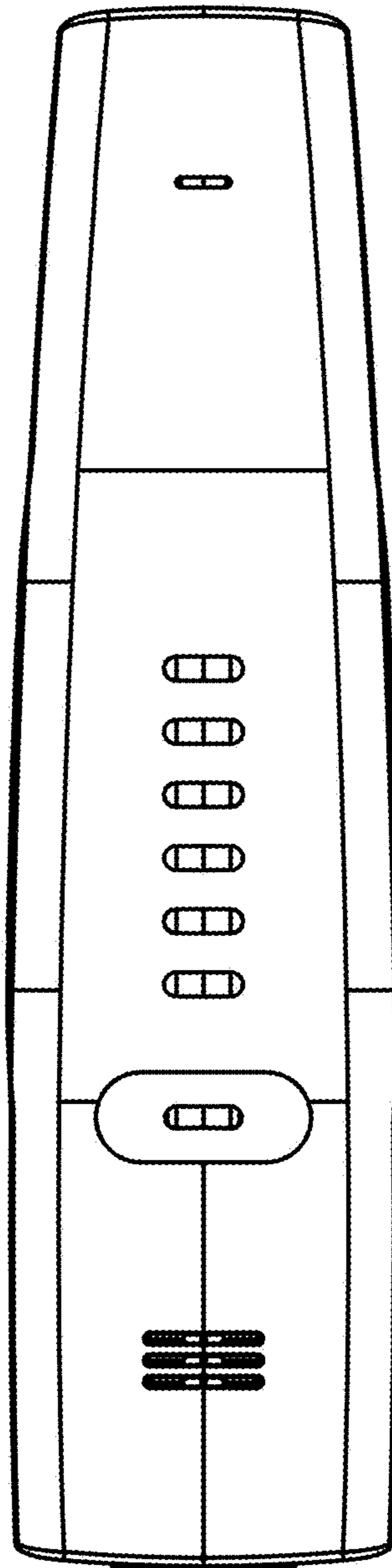


FIGURE 2

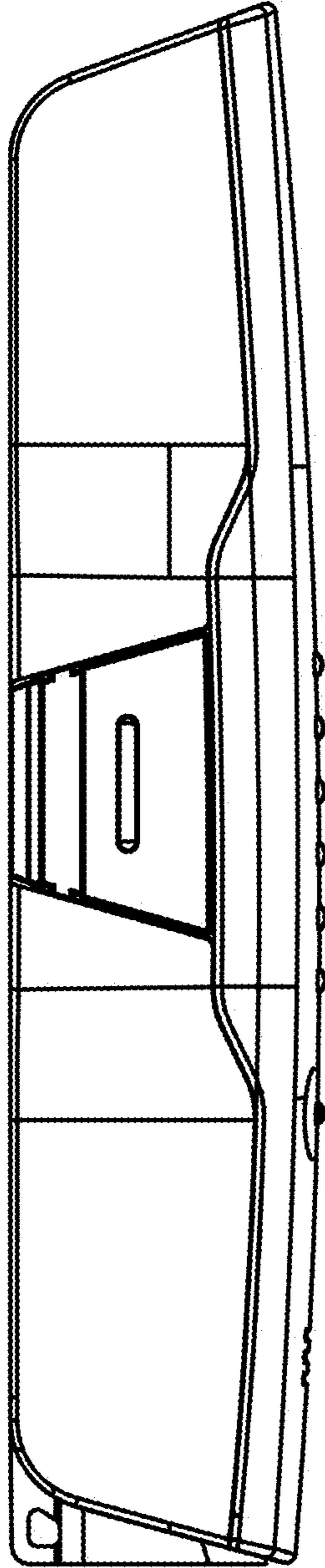


FIGURE 3

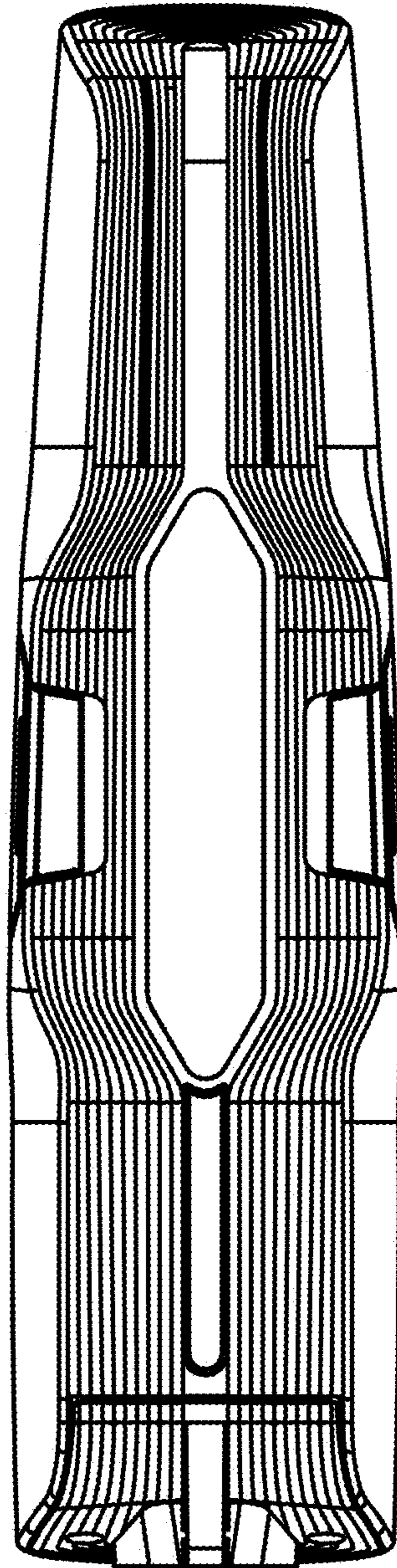


FIGURE 4

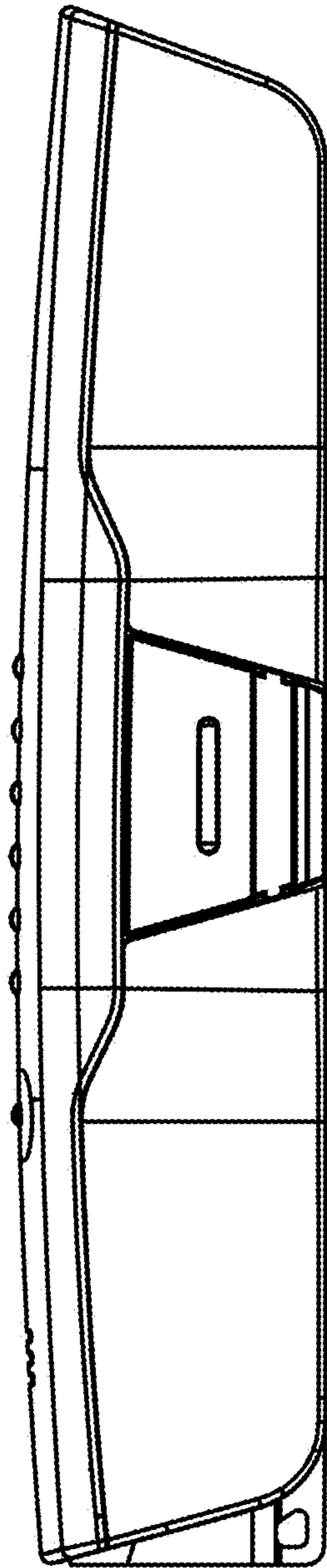


FIGURE 5

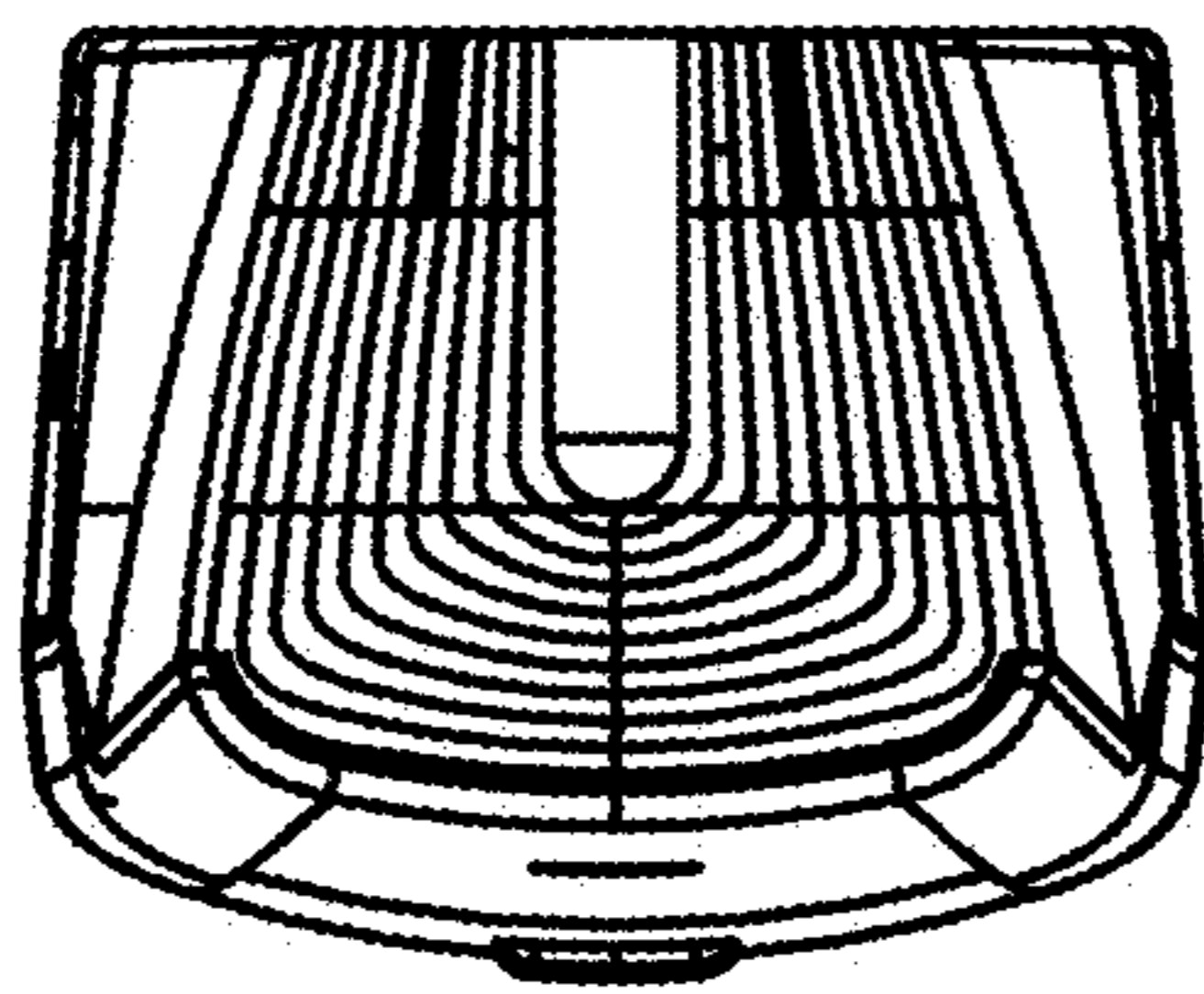


FIGURE 6

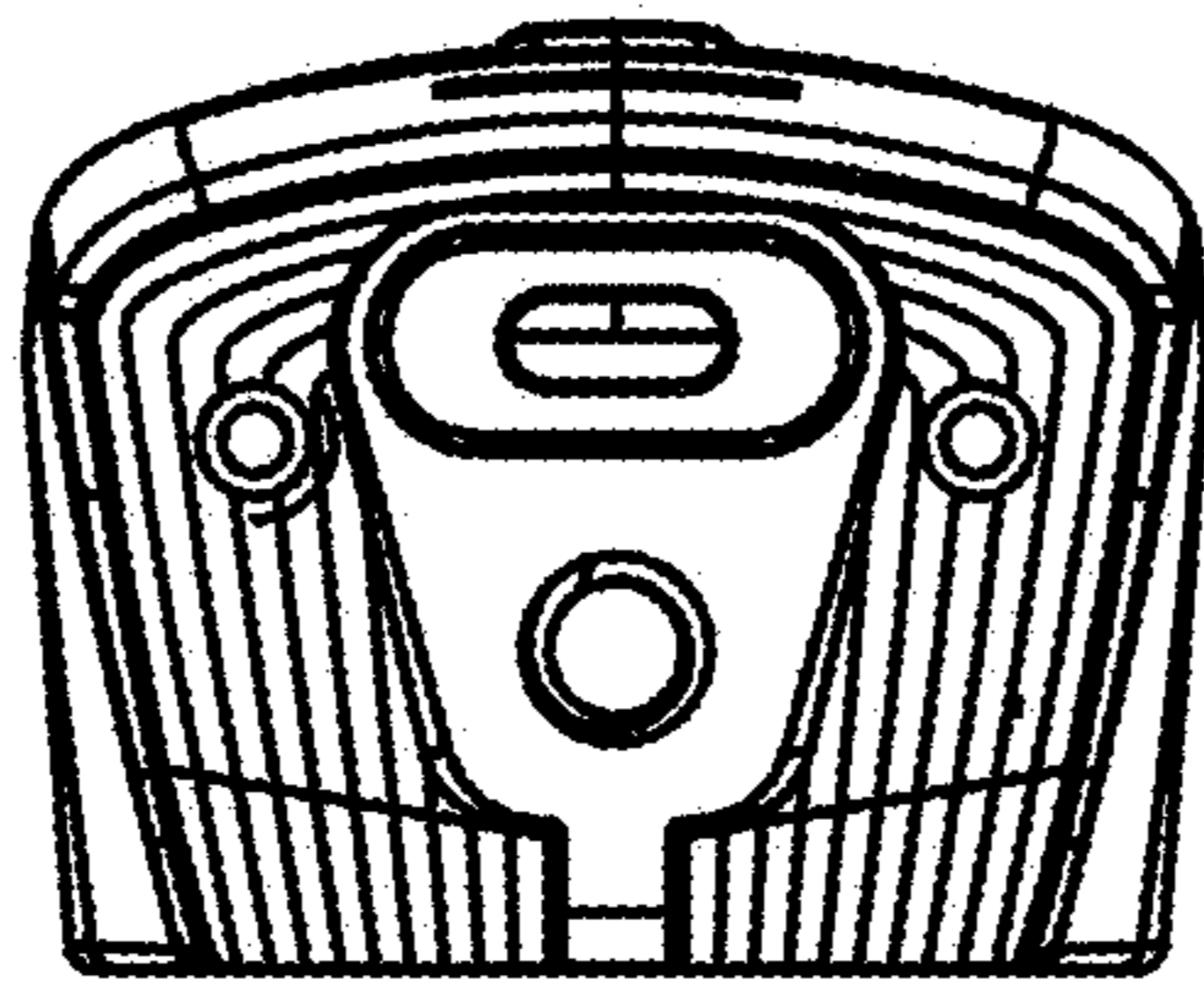


FIGURE 7