



US00D890001S

(12) **United States Design Patent**  
**Wang**

(10) **Patent No.:** **US D890,001 S**  
(45) **Date of Patent:** **\*\* Jul. 14, 2020**

- (54) **TEMPERATURE DETECTOR**
- (71) Applicant: **FINEMOLD TECHNOLOGIES CO., LIMITED**, Shenzhen (CN)
- (72) Inventor: **Baohong Wang**, Shaoyang (CN)
- (\*\*) Term: **15 Years**
- (21) Appl. No.: **29/676,146**
- (22) Filed: **Jan. 9, 2019**
- (51) **LOC (12) Cl.** ..... **10-04**
- (52) **U.S. Cl.**  
USPC ..... **D10/57**
- (58) **Field of Classification Search**  
USPC ..... D10/57  
CPC ..... G01K 2207/02; G01K 2207/04; G01K 2207/06; G01K 2207/08  
See application file for complete search history.

- D853,253 S \* 7/2019 Zuo ..... D10/57
- D858,320 S \* 9/2019 Wang ..... D10/57
- D860,831 S \* 9/2019 Zou ..... D10/57
- D863,991 S \* 10/2019 Ho ..... D10/57
- D871,934 S \* 1/2020 Wu ..... D10/57

\* cited by examiner

*Primary Examiner* — Antoine Duval Davis  
(74) *Attorney, Agent, or Firm* — Erson IP (Nelson IP)

(57) **CLAIM**

The ornamental design for a temperature detector, as shown and described.

**DESCRIPTION**

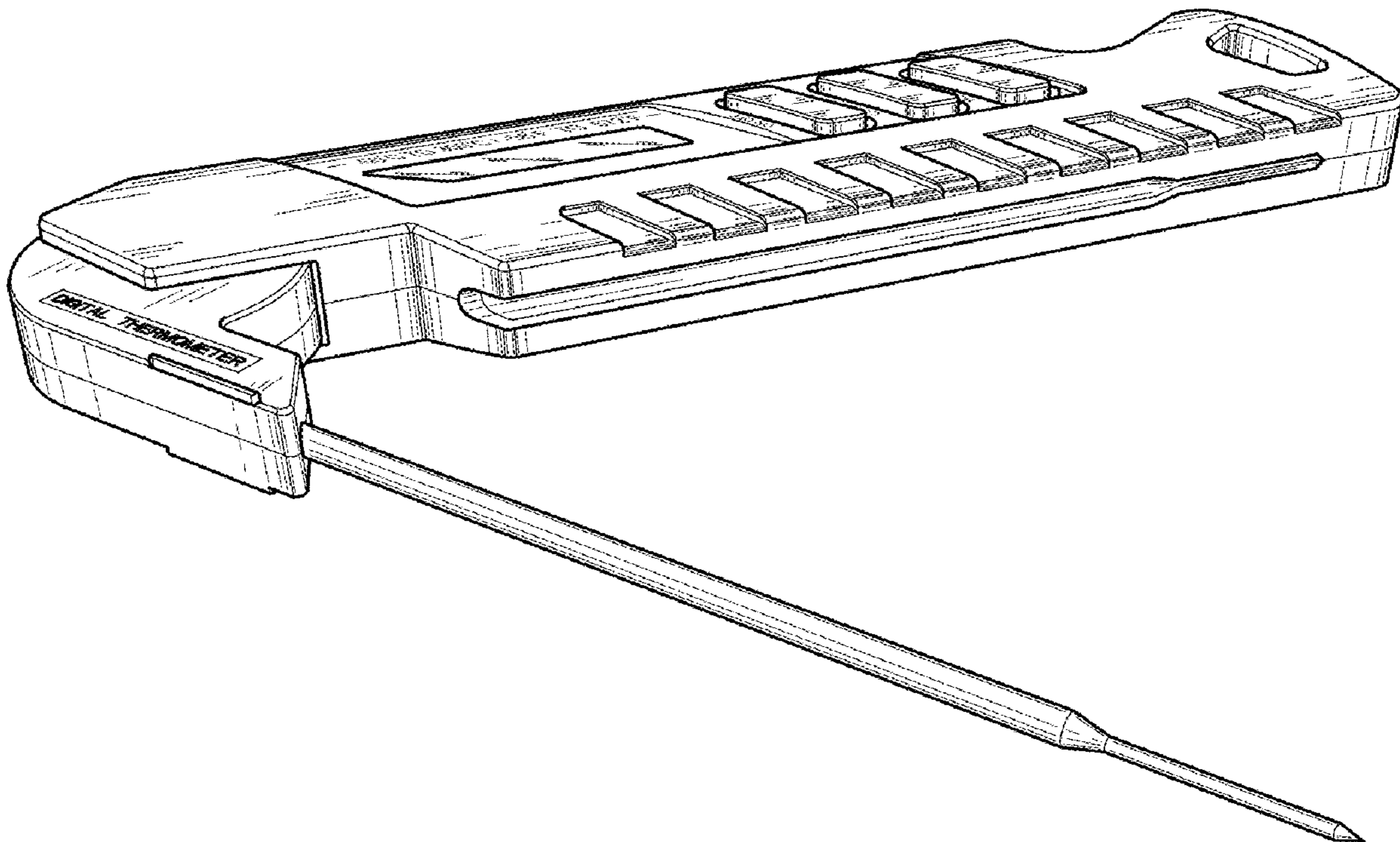
FIG. 1 is a perspective view of a temperature detector showing the new design;  
FIG. 2 is a front view thereof;  
FIG. 3 is a rear view thereof;  
FIG. 4 is a left side view thereof;  
FIG. 5 is a right side view thereof;  
FIG. 6 is a top view thereof;  
FIG. 7 is a bottom view thereof; and,  
FIG. 8 is a status view in use thereof.

(56) **References Cited**

**U.S. PATENT DOCUMENTS**

- D849,571 S \* 5/2019 Yu ..... D10/57
- D852,653 S \* 7/2019 Zou ..... D10/57
- D852,654 S \* 7/2019 Zou ..... D10/57

**1 Claim, 8 Drawing Sheets**



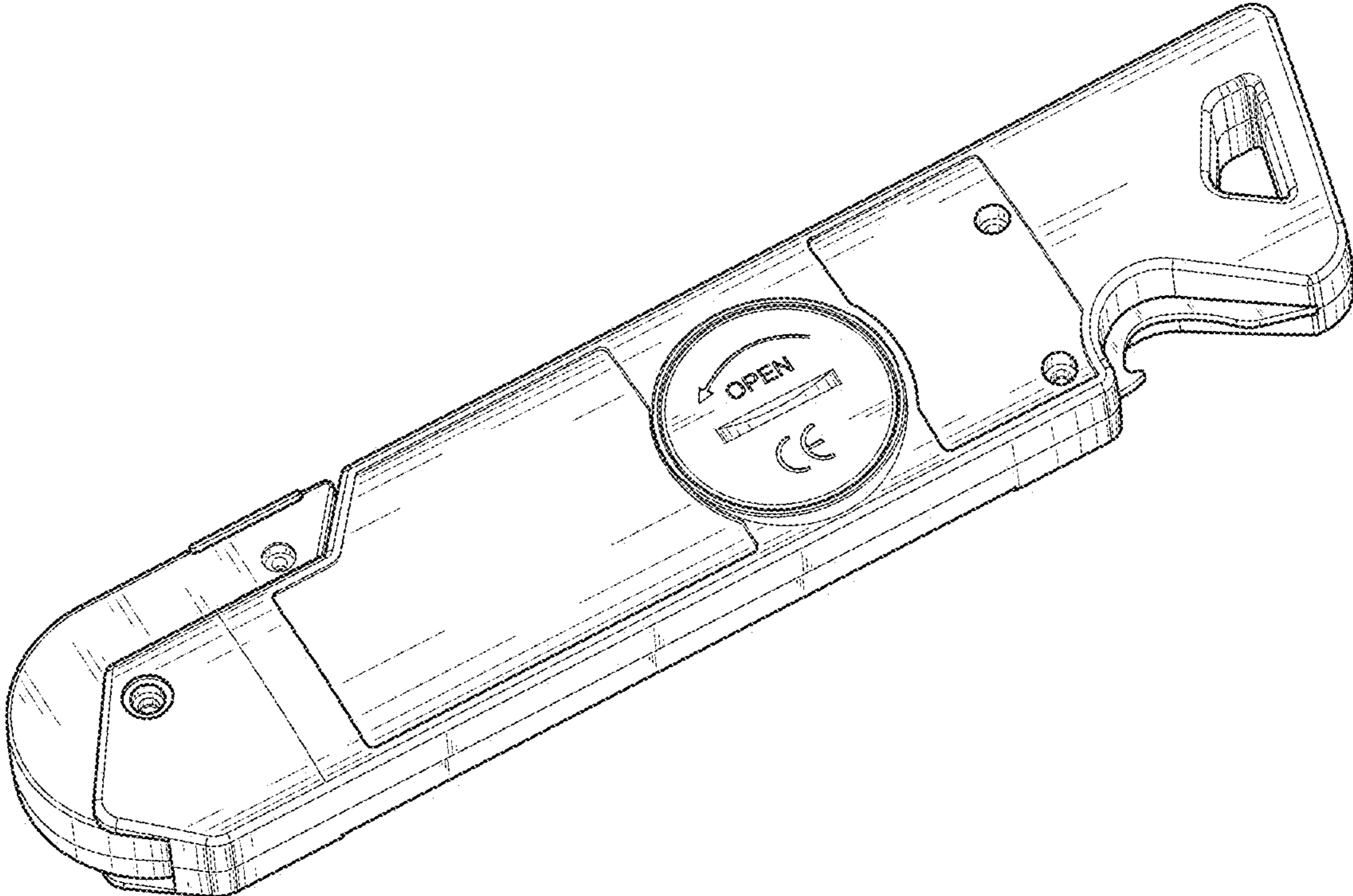


Fig. 1

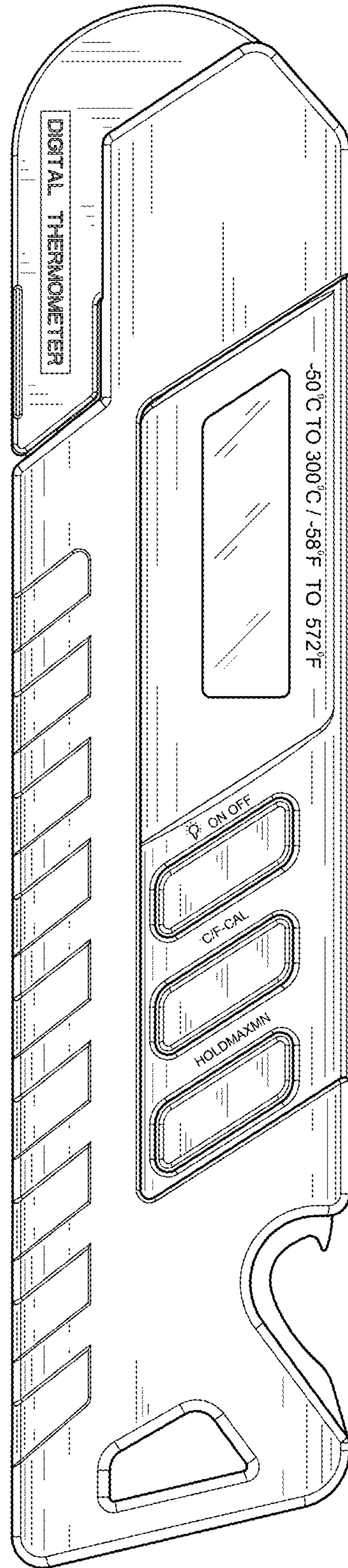


Fig. 2

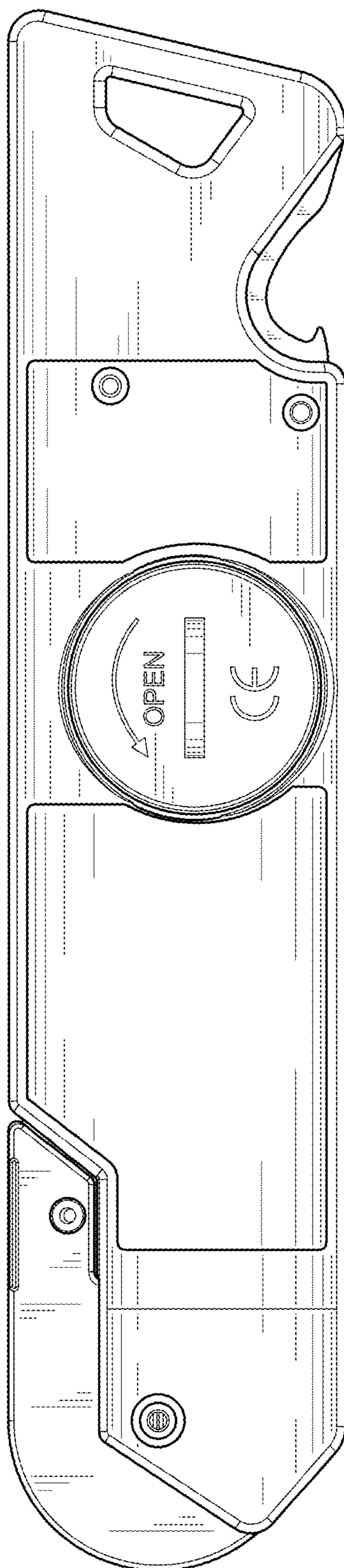


Fig. 3



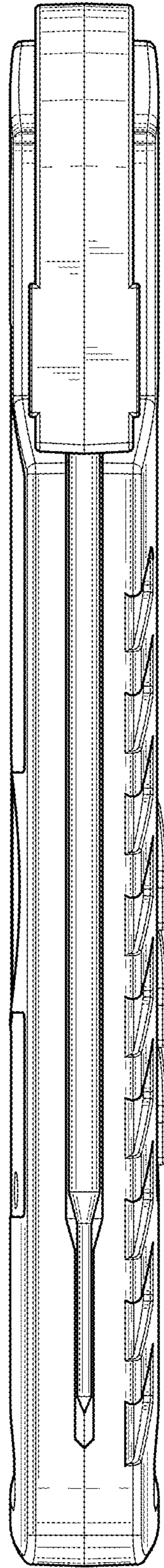


Fig. 4

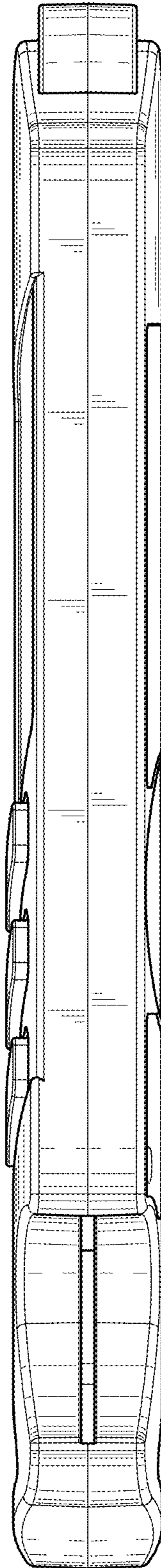


Fig. 5

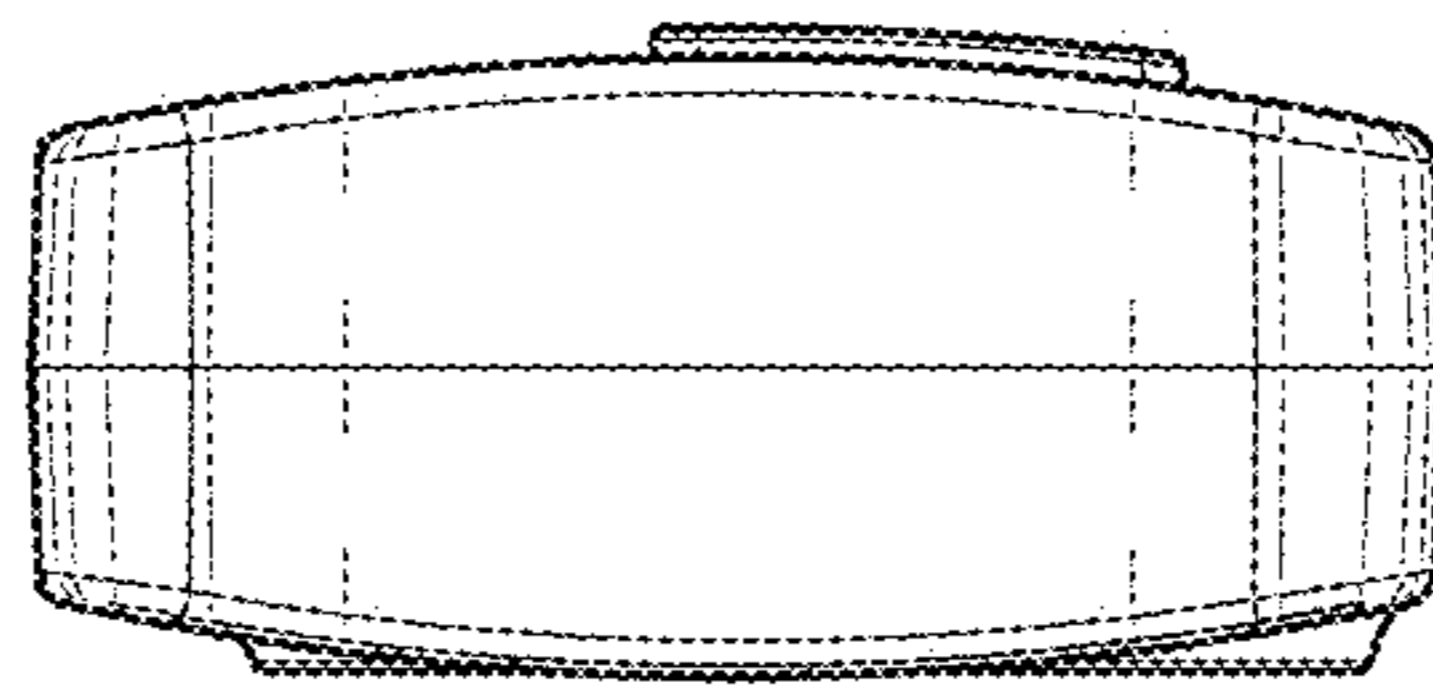


Fig. 6

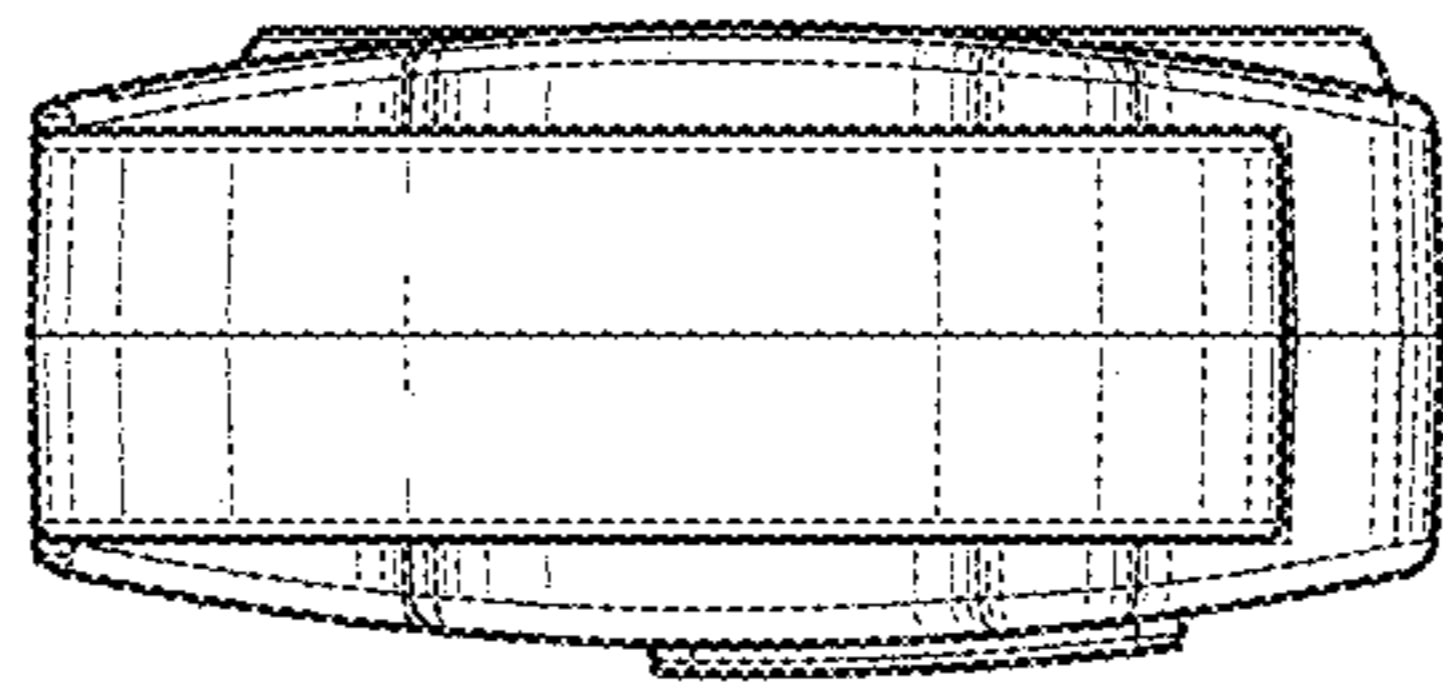


Fig. 7



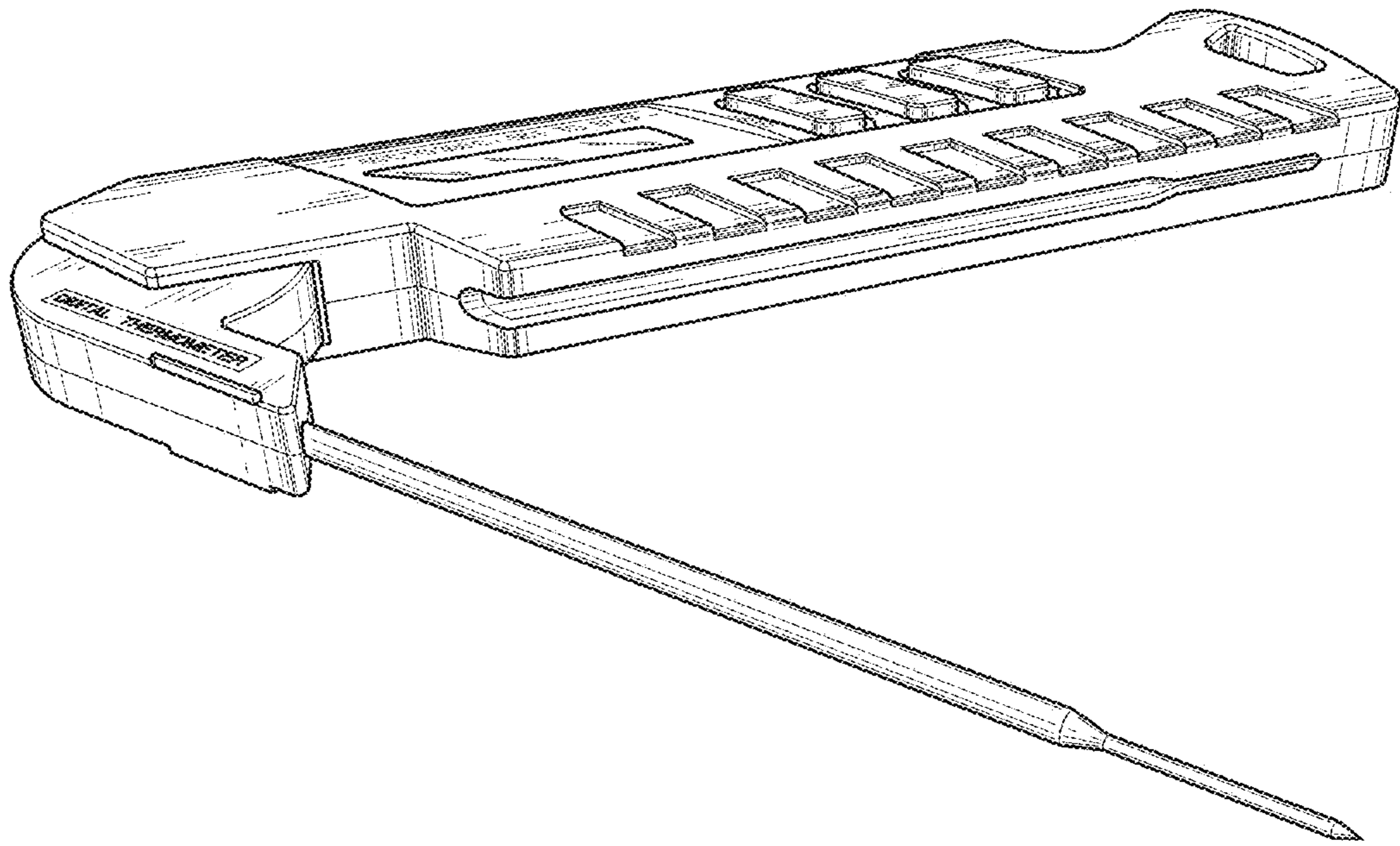


Fig. 8