



US00D88994S

(12) **United States Design Patent**
Daniels

(10) **Patent No.:** **US D889,994 S**

(45) **Date of Patent:** **** Jul. 14, 2020**

(54) **DISPENSER**

(71) Applicant: **Love Dirty Inc.**, New York, NY (US)

(72) Inventor: **Jason Stephen Daniels**, Palm Springs, CA (US)

(73) Assignee: **Love Dirty Inc.**, New York, NY (US)

(**) Term: **15 Years**

(21) Appl. No.: **29/644,924**

(22) Filed: **Apr. 21, 2018**

(51) **LOC (12) Cl.** **09-01**

(52) **U.S. Cl.**
USPC **D9/724**

(58) **Field of Classification Search**
USPC D9/442, 503, 695-699, 702-714,
D9/723-729; D24/199; D28/7;
132/317, 318, 320; 222/95, 207, 212,
222/335
CPC A45D 34/00; A45D 40/00; B65D 81/3272
See application file for complete search history.

(56) **References Cited**

U.S. PATENT DOCUMENTS

D341,323 S * 11/1993 Cazaudehore D9/516
D484,041 S * 12/2003 Favor D9/719

D504,068 S * 4/2005 Thuillier D9/520
D552,231 S * 10/2007 Collins D24/110
D573,251 S * 7/2008 Pentafragas D24/110
D635,294 S * 3/2011 Hosler D28/7
D686,312 S * 7/2013 Allsop D24/110

* cited by examiner

Primary Examiner — Janice Patyk

(74) *Attorney, Agent, or Firm* — Brett A. Schenck

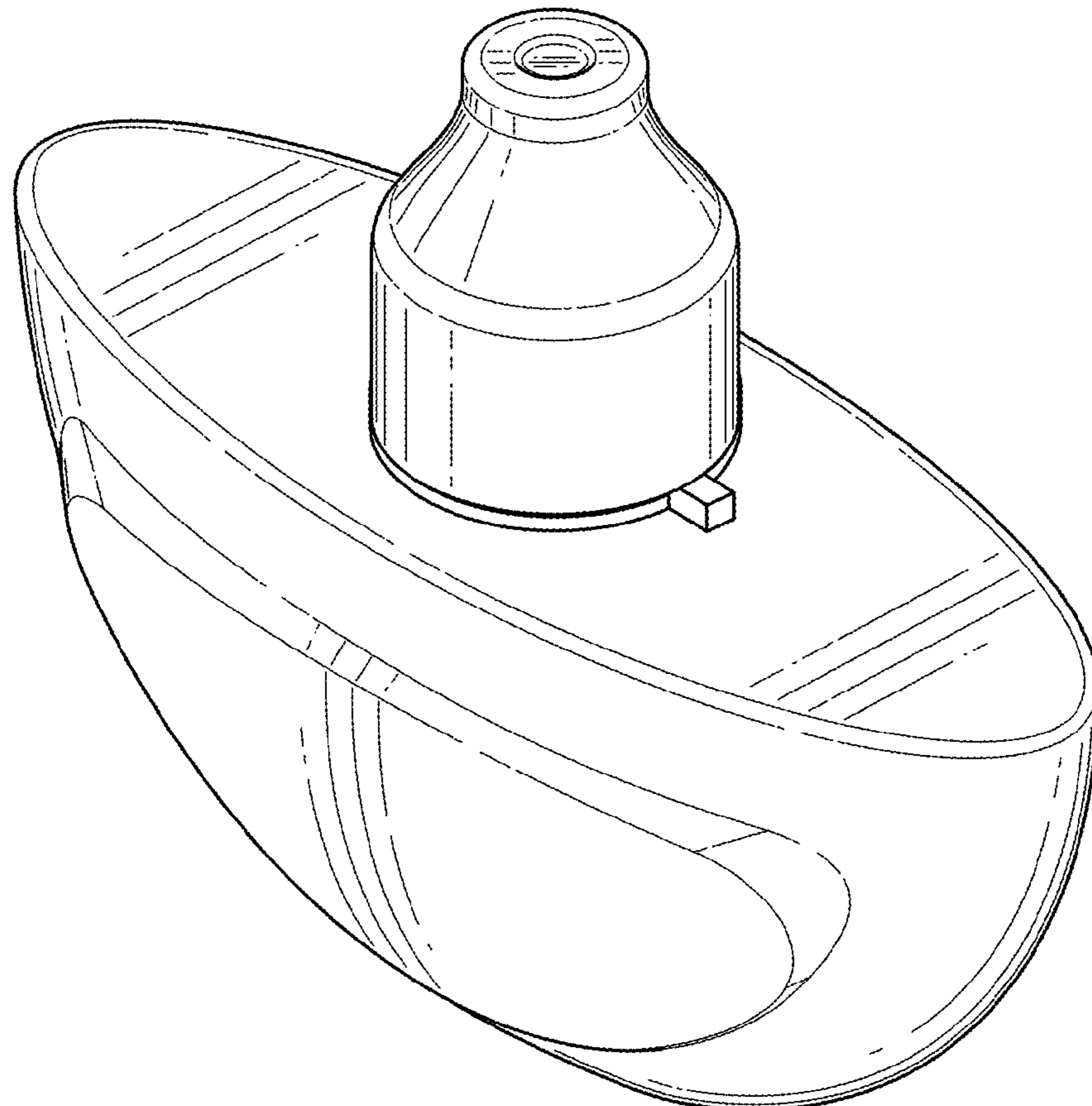
(57) **CLAIM**

The ornamental design for a dispenser, as shown and described.

DESCRIPTION

FIG. 1 is a front, right side perspective view of a dispenser, showing my new design;
FIG. 2 is a front view thereof;
FIG. 3 is a rear view thereof;
FIG. 4 is a right side view thereof;
FIG. 5 is a left side view thereof;
FIG. 6 is a top view thereof;
FIG. 7 is a bottom view thereof; and,
FIG. 8 is a front, right side perspective view thereof, shown without the cap for ease of illustration, and shown in environmental use.
The broken lines in the figures illustrate portions of the design that form no part of the claimed design. The broken lines in FIG. 8 illustrate environmental subject matter that form no part of the claimed design.

1 Claim, 8 Drawing Sheets



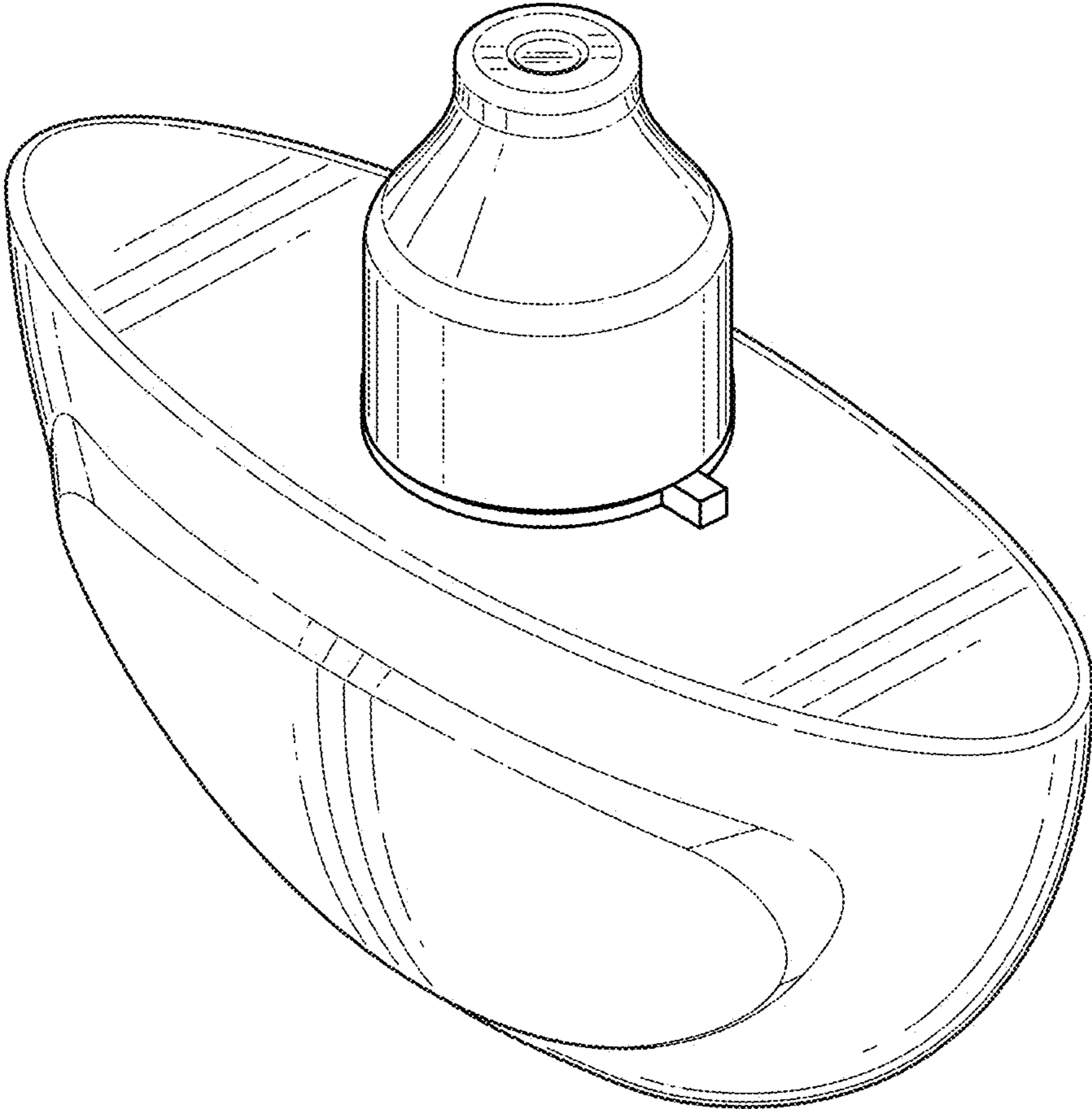


FIG. 1

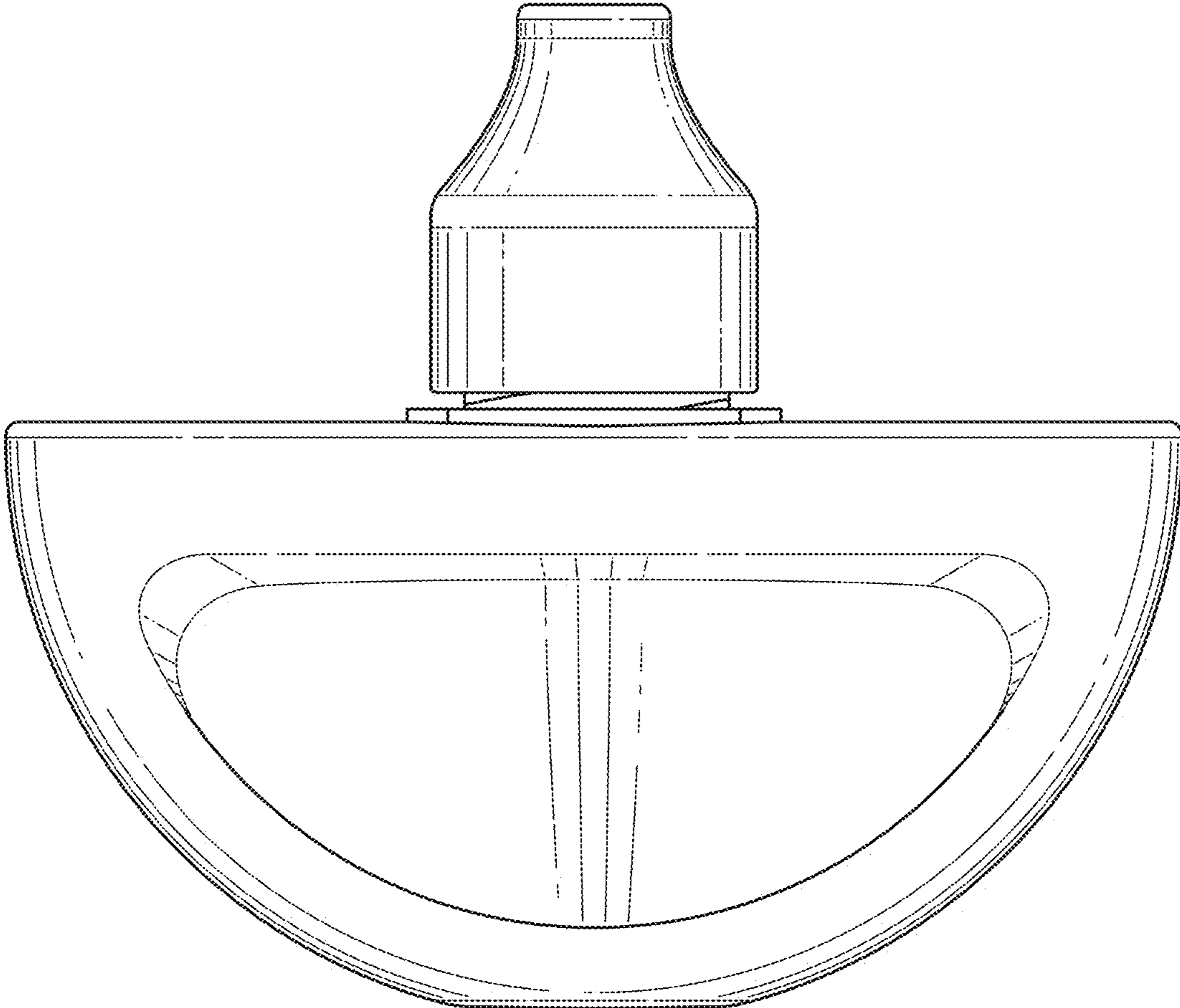


FIG. 2

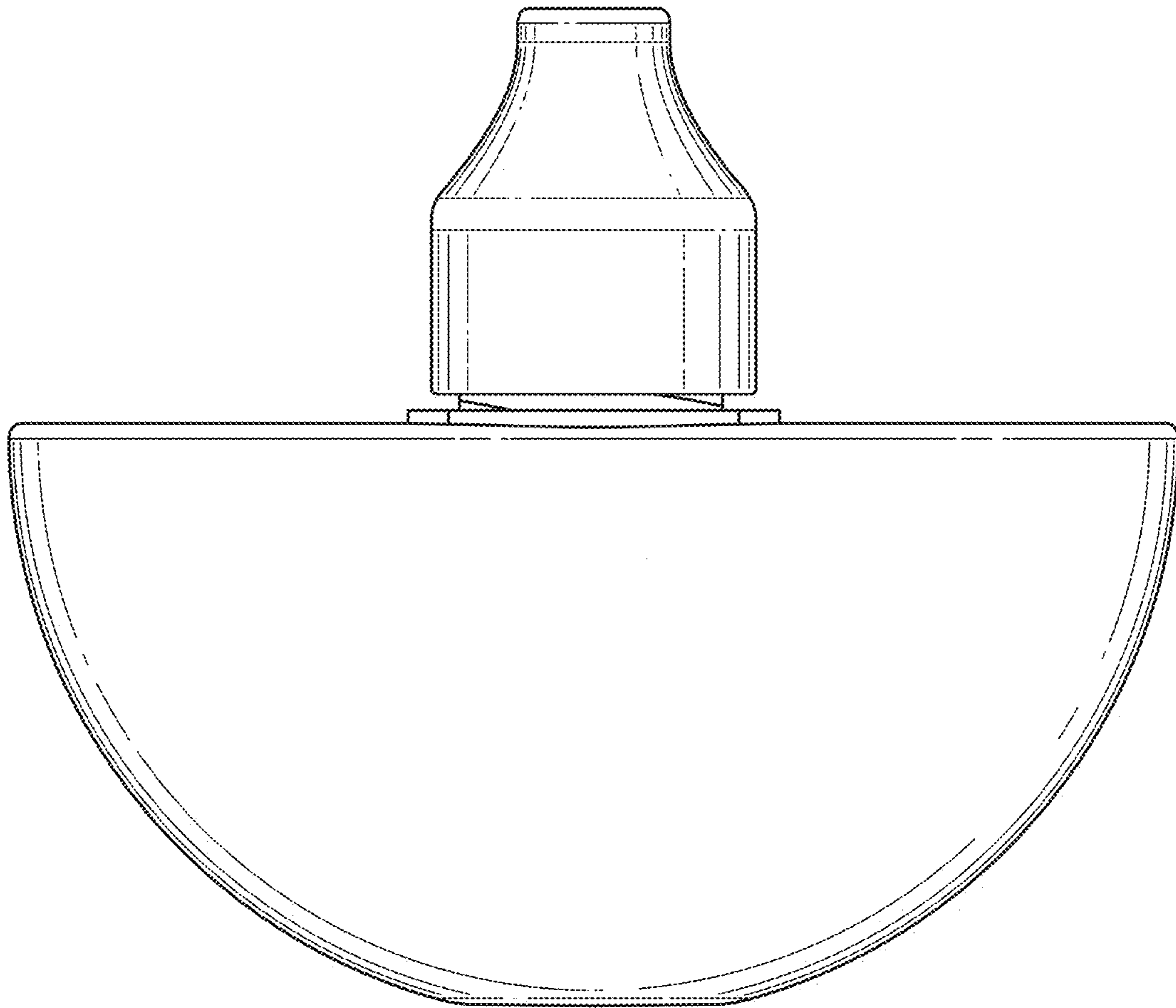


FIG. 3

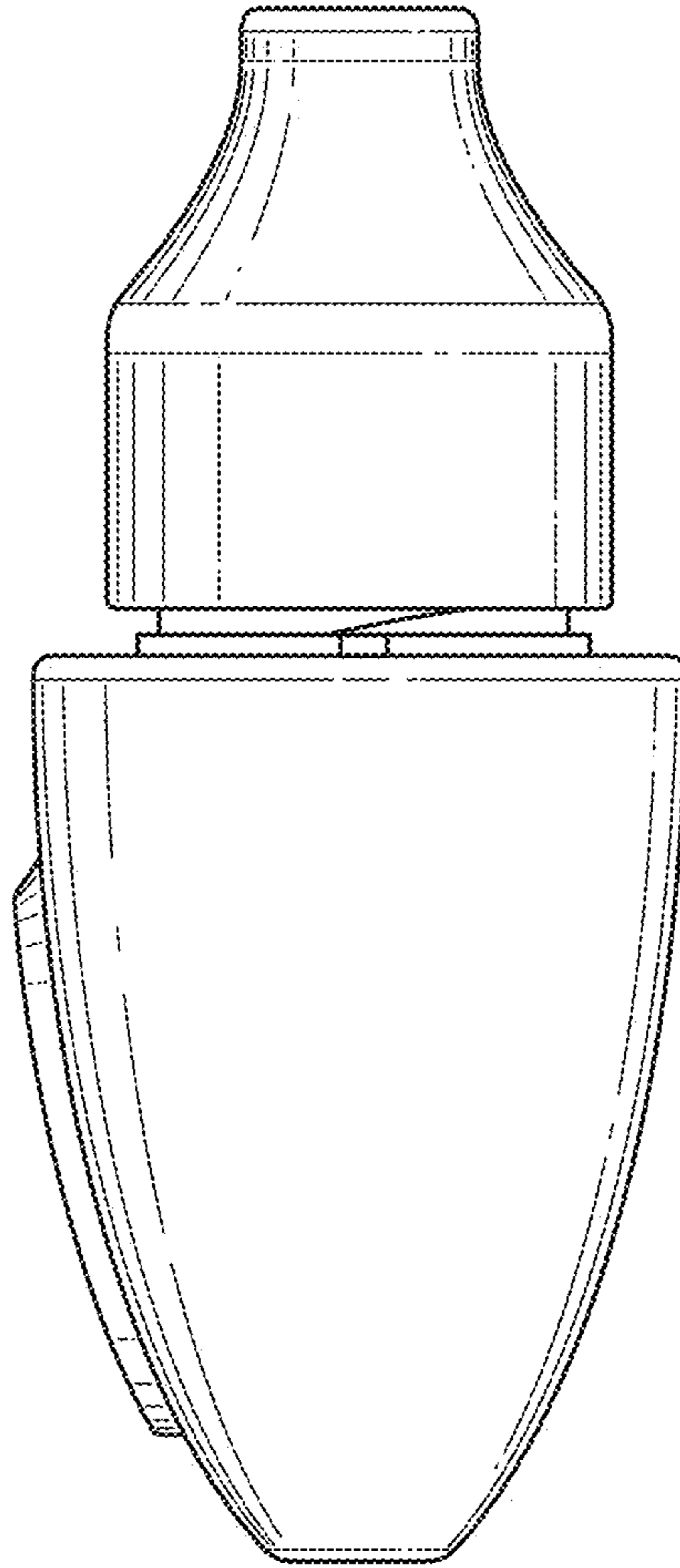


FIG. 4

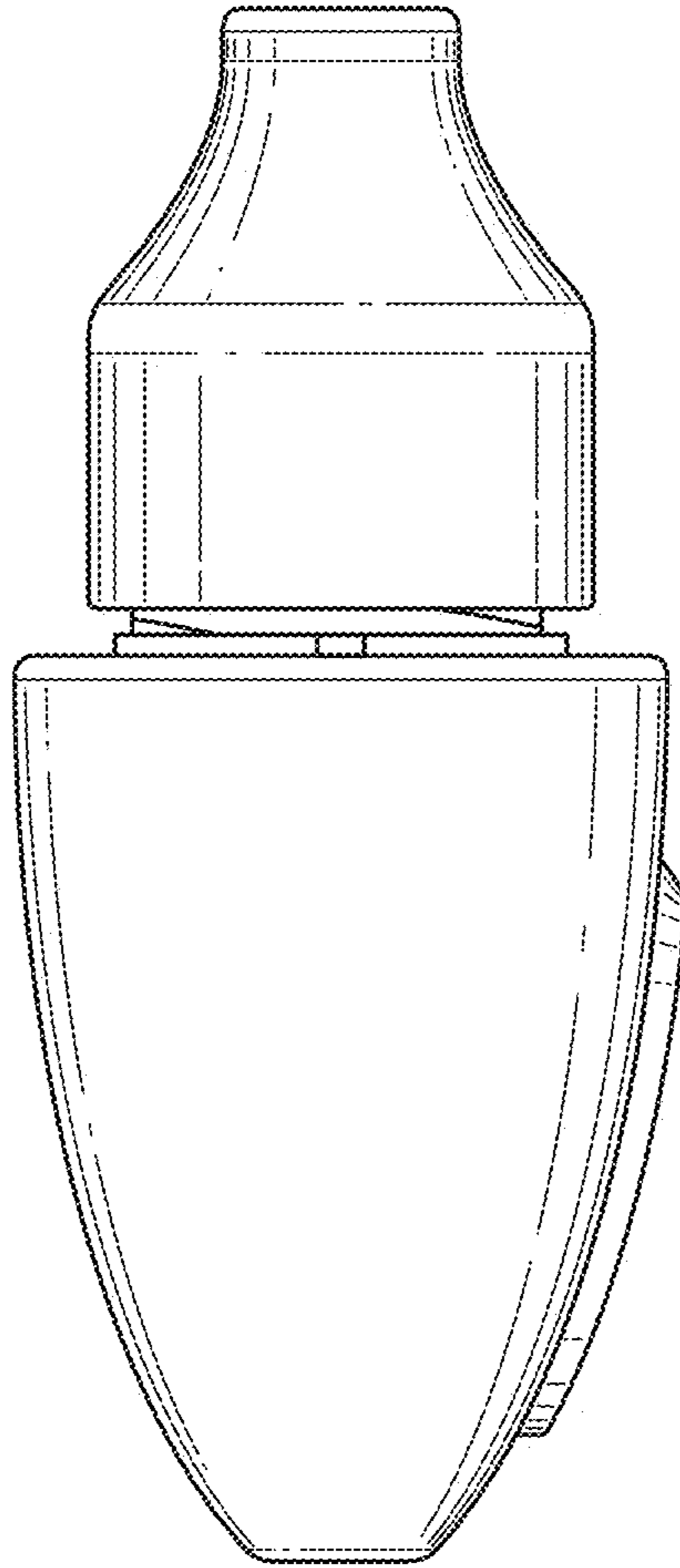


FIG. 5

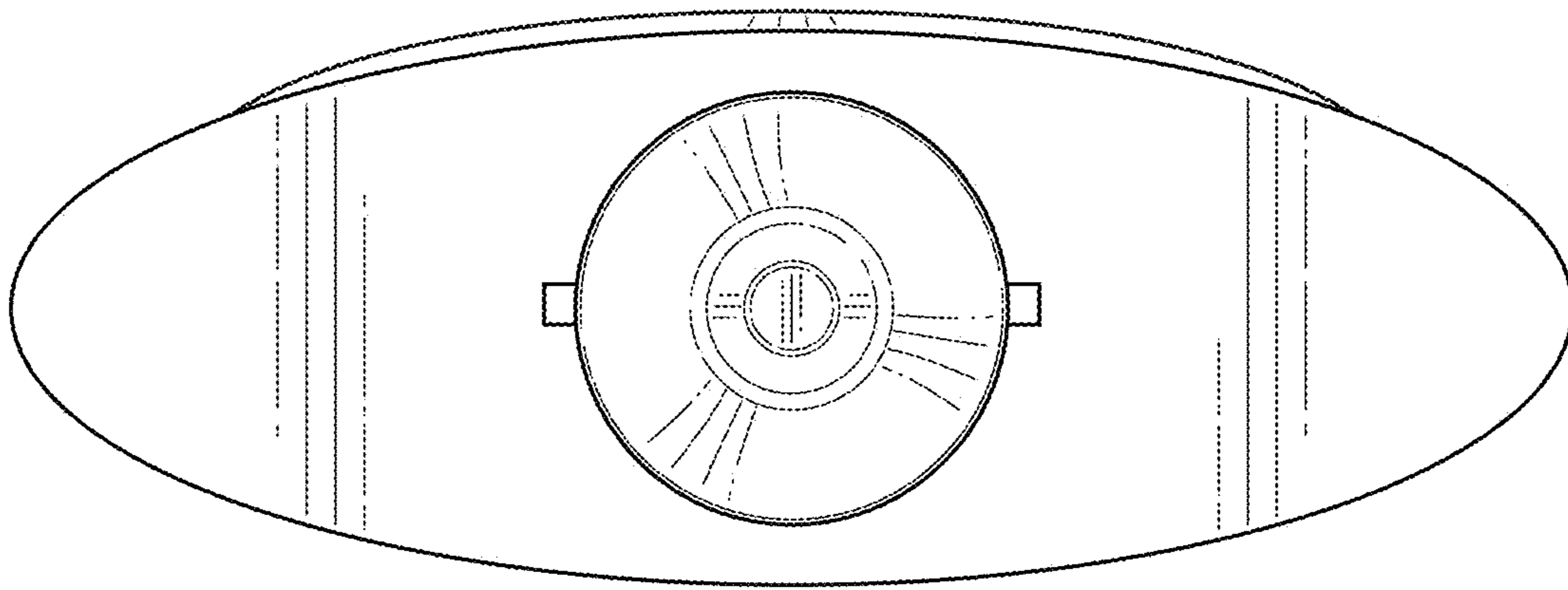


FIG. 6

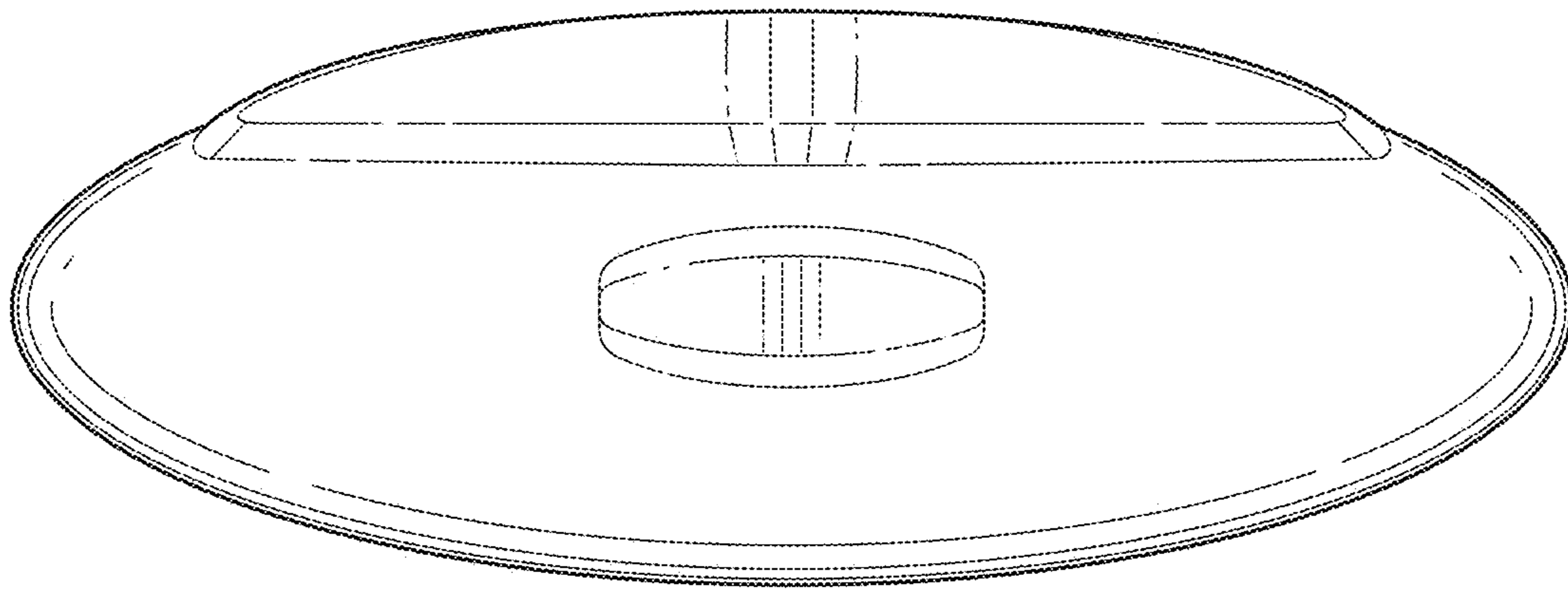


FIG. 7

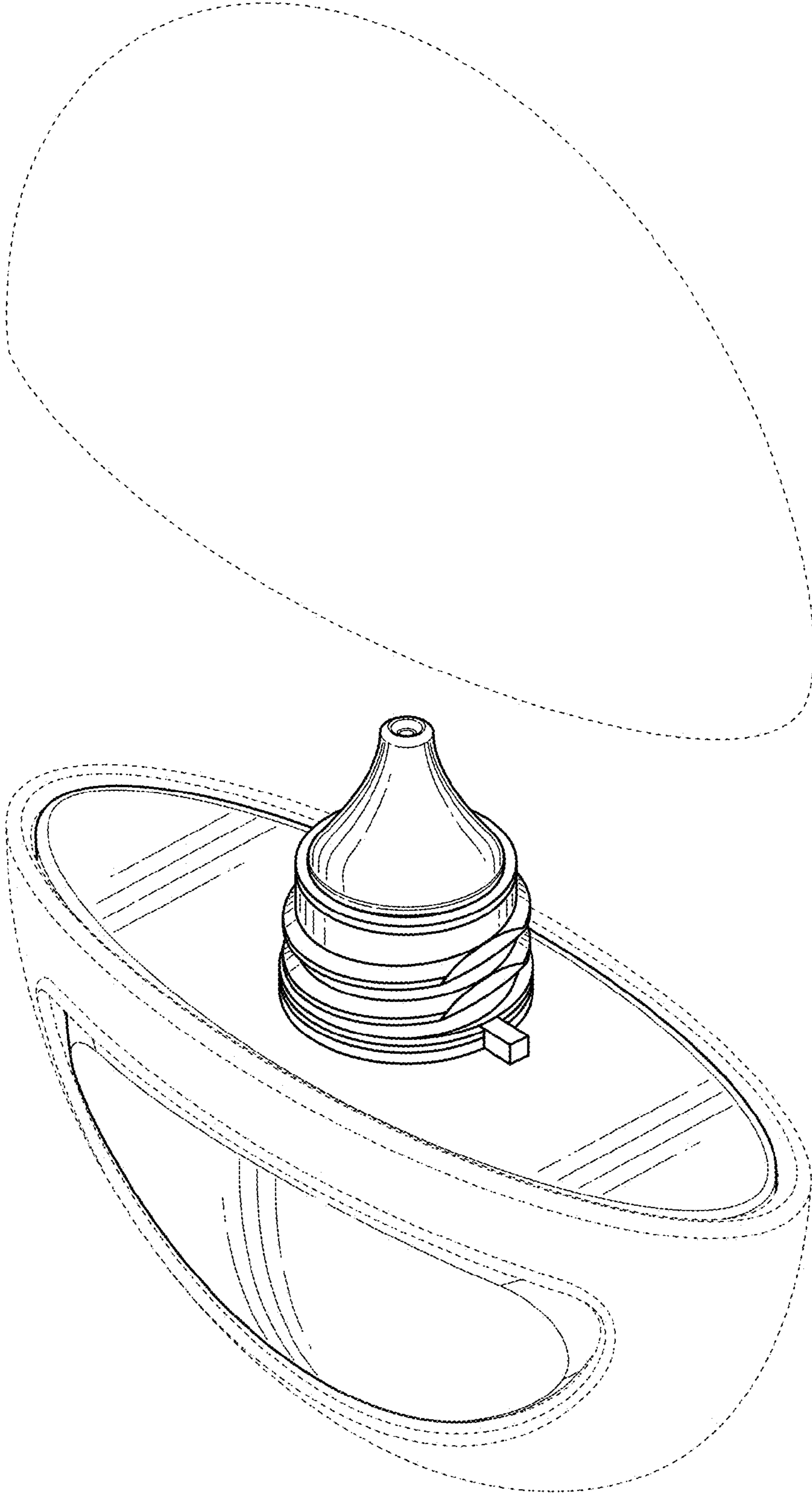


FIG. 8