



US00D889977S

(12) **United States Design Patent** (10) **Patent No.:** **US D889,977 S**  
**Shibata-Schwartz** (45) **Date of Patent:** **\*\* Jul. 14, 2020**

- (54) **PACKAGING**
- (71) Applicant: **THE GLAD PRODUCTS COMPANY**, Oakland, CA (US)
- (72) Inventor: **Michelle Michiko Shibata-Schwartz**, Oakland, CA (US)
- (73) Assignee: **The Glad Products Company**, Oakland, CA (US)
- (\*\*) Term: **15 Years**
- (21) Appl. No.: **29/679,611**
- (22) Filed: **Feb. 7, 2019**
- (51) **LOC (12) Cl.** ..... **09-03**
- (52) **U.S. Cl.**  
USPC ..... **D9/600**; D9/418; D9/432
- (58) **Field of Classification Search**  
USPC ..... D9/414-423, 424-429, 430-433, 434, D9/456, 457, 711, 713, 721-722, 737, D9/756, 758, 759, 760; D20/10, 22, 27, D20/40, 42; D3/272-274, 290, 304, 305, D3/315  
CPC ... B65D 5/00; B65D 5/02; B65D 5/18; B65D 5/20  
See application file for complete search history.

- D472,141 S \* 3/2003 Buschkiel ..... D9/734
  - 6,648,864 B2 11/2003 Ronn et al.
  - 6,886,737 B2 5/2005 Dye
  - D513,177 S 12/2005 Tachikawa et al.
  - D518,368 S 4/2006 Tachikawa et al.
  - D521,376 S 5/2006 Mosto
  - D589,353 S 3/2009 Bohache et al.
  - 7,546,702 B2 6/2009 Malkovas
- (Continued)

**FOREIGN PATENT DOCUMENTS**

- WO WO2008027817 A2 3/2008
- WO WO2009092776 A1 7/2009

**OTHER PUBLICATIONS**

Glad Tall Kitchen Drawstring 13 Gallon. [online] Retrieved Mar. 25, 2020 from URL: <https://www.kmart.com/glad-tall-kitchen-bags-drawstring-13-gal-45/p-07111961000P?rrec=true>.\*

*Primary Examiner* — Vy N Koenig  
(74) *Attorney, Agent, or Firm* — Thomas C. Feix

(57) **CLAIM**

The ornamental design for packaging, as shown and described.

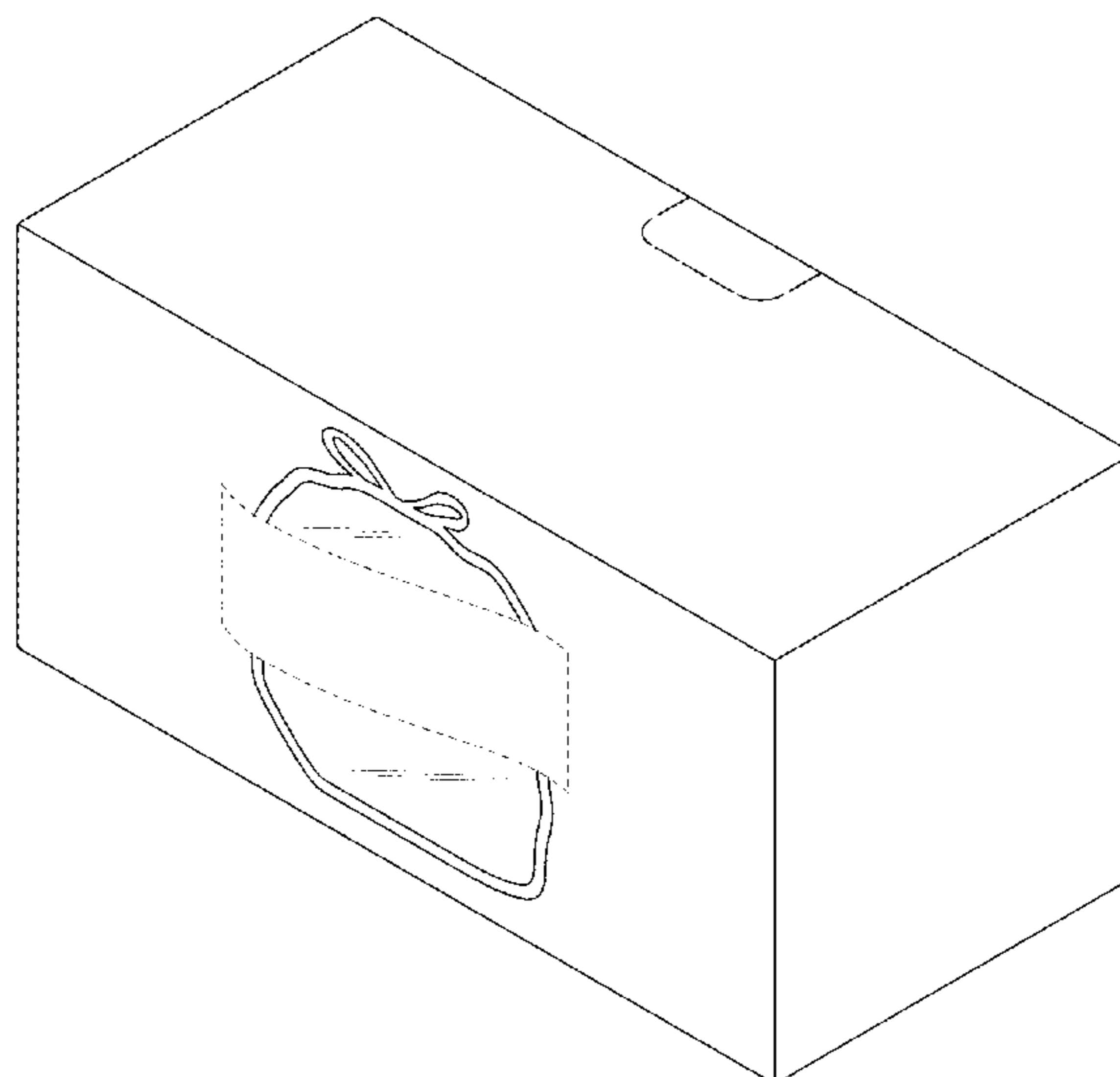
**DESCRIPTION**

FIG. 1 is a top, front perspective view of packaging showing the claimed design;  
FIG. 2 is a front view thereof;  
FIG. 3 is a rear view thereof;  
FIG. 4 is a left side view thereof;  
FIG. 5 is a right side view thereof;  
FIG. 6 is a top view thereof; and,  
FIG. 7 is a bottom view thereof.  
The short dashed broken lines in the figures show portions of the packaging that form no part of the claimed design. The longer dashed broken lines show perforations and form part of the claimed design.

**1 Claim, 4 Drawing Sheets**

(56) **References Cited**  
U.S. PATENT DOCUMENTS

- D210,068 S \* 2/1968 King ..... D9/418
- D244,993 S 7/1977 Drysdale
- 4,925,088 A 5/1990 Ostrander
- 5,259,550 A 11/1993 Kuchenbecker
- 5,556,026 A \* 9/1996 Blankitny ..... B65D 5/0236  
229/123.1
- 5,738,272 A 4/1998 Anchor et al.
- D394,385 S 5/1998 Laughlin
- D398,841 S \* 9/1998 Sargent ..... D6/518
- 5,938,107 A 8/1999 Anchor et al.
- D467,495 S \* 12/2002 Lenz ..... D9/418
- D468,638 S 1/2003 Nogami et al.



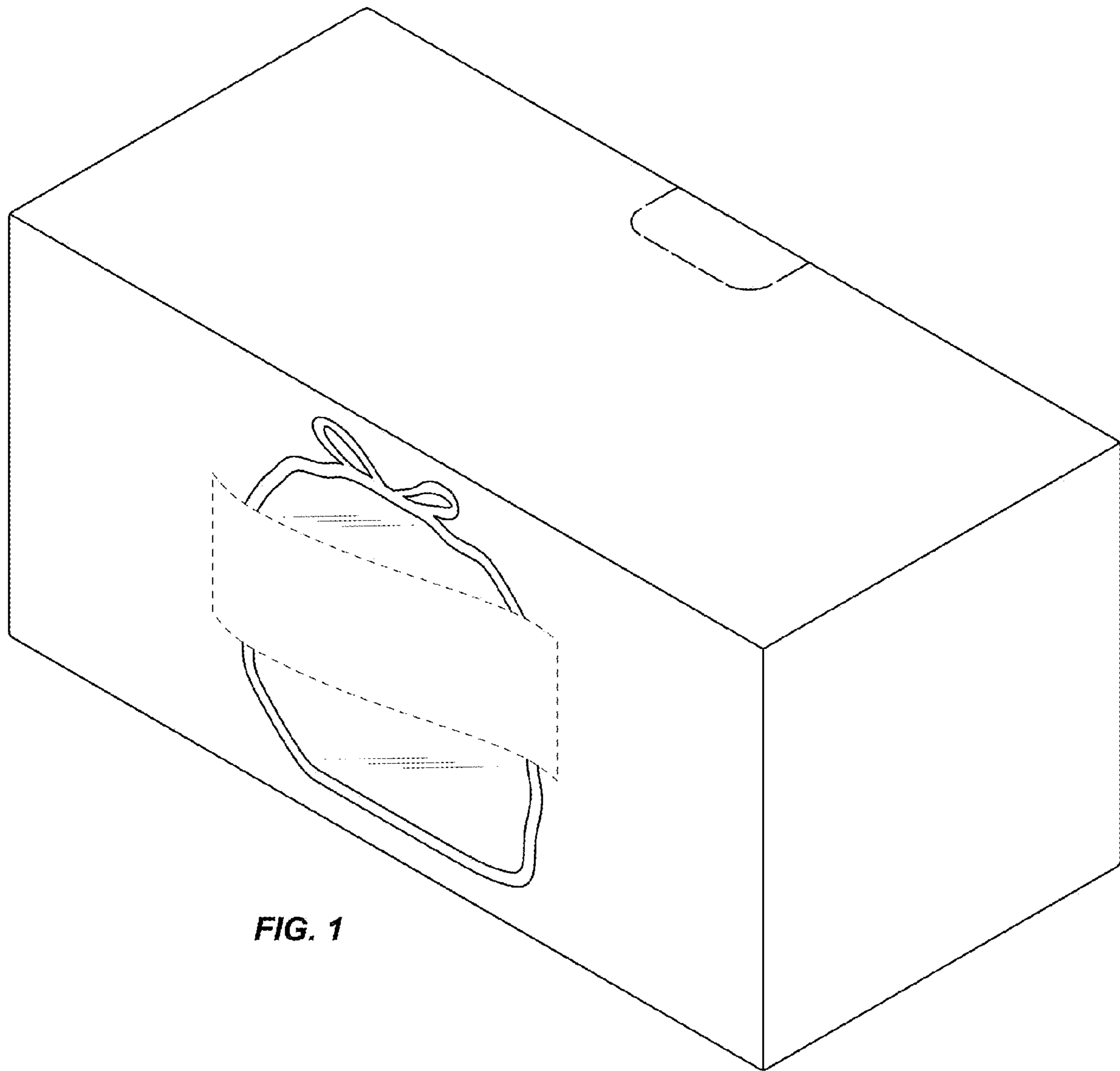
(56)

References Cited

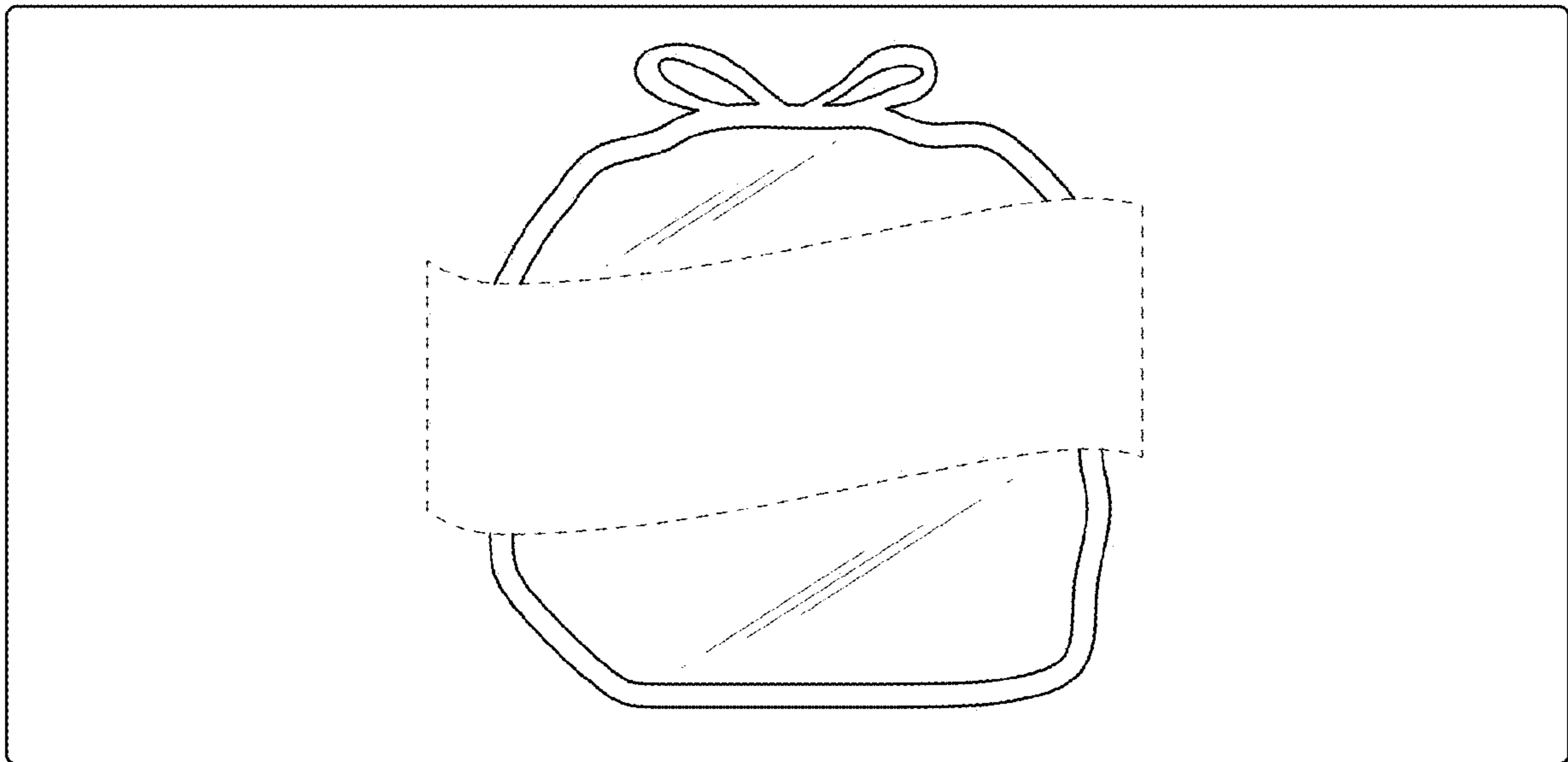
U.S. PATENT DOCUMENTS

D596,027	S	7/2009	Kalberer	
D598,745	S	8/2009	Bohache et al.	
D623,057	S *	9/2010	Kletz .....	D9/434
D625,177	S *	10/2010	Seum .....	D9/418
D657,239	S	4/2012	Gavrilenkov et al.	
D659,011	S *	5/2012	Lee .....	D9/434
D669,779	S *	10/2012	Lowery .....	D9/434
D675,093	S *	1/2013	Hughes .....	D9/434
D676,742	S	2/2013	Walter et al.	
8,365,914	B2	2/2013	Learn	
D678,058	S *	3/2013	Vanden Boom .....	D9/434
D678,062	S *	3/2013	Vanden Boom .....	D9/434
D678,762	S *	3/2013	Cooper .....	D9/418
D682,684	S	5/2013	Walter et al.	
D691,471	S	10/2013	Walter et al.	
D716,651	S *	11/2014	Abel .....	B65D 85/00 D9/434
D728,364	S	5/2015	Baker et al.	
9,809,347	B2	11/2017	Weissman	
D837,062	S *	1/2019	Senior .....	D9/667
D853,230	S *	7/2019	Feldman .....	D9/600
2007/0095706	A1	5/2007	Legault et al.	
2008/0053857	A1	3/2008	Albano et al.	
2009/0211928	A1	8/2009	Georgi	
2010/0198682	A1	8/2010	Farage et al.	

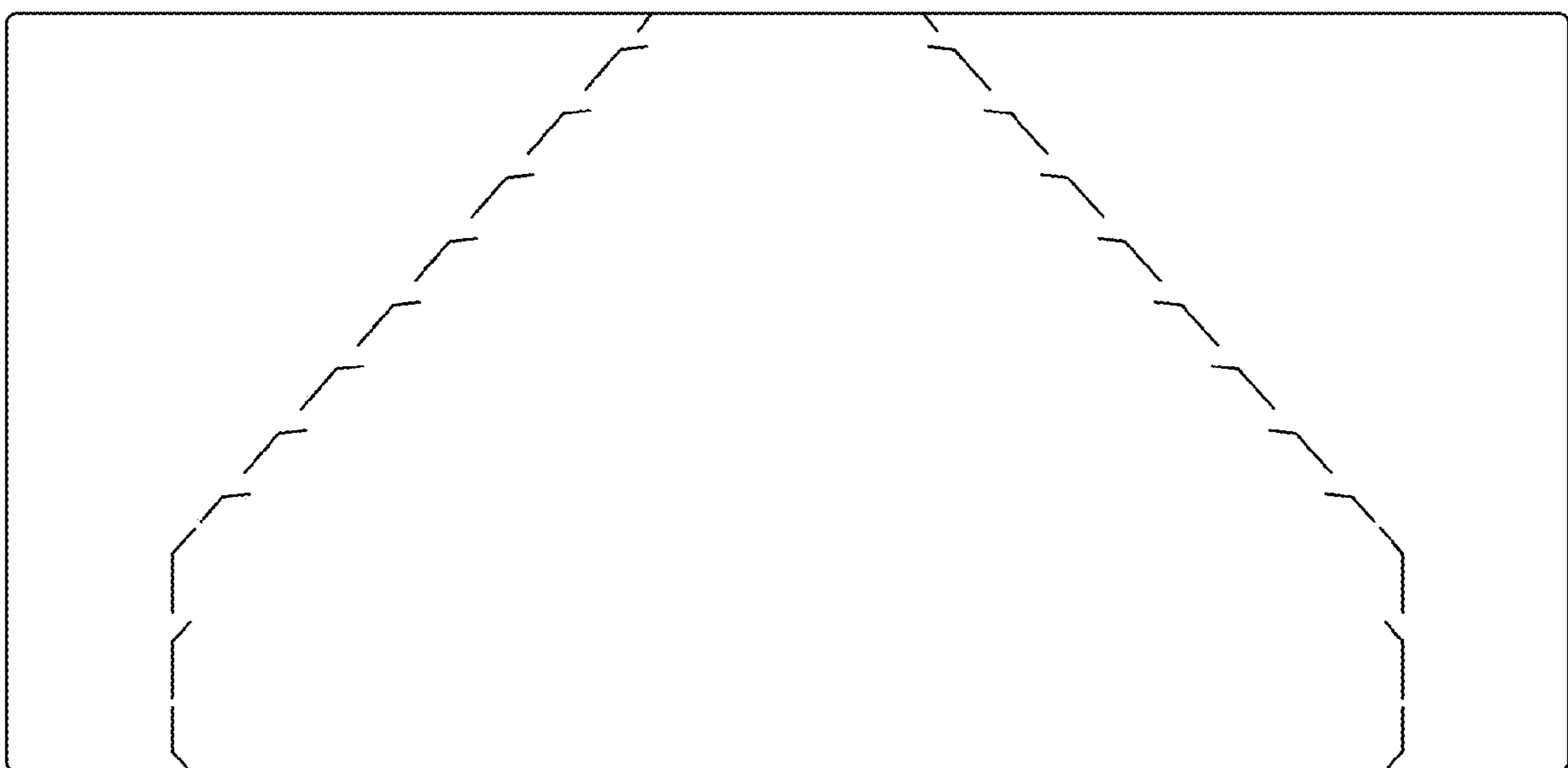
\* cited by examiner



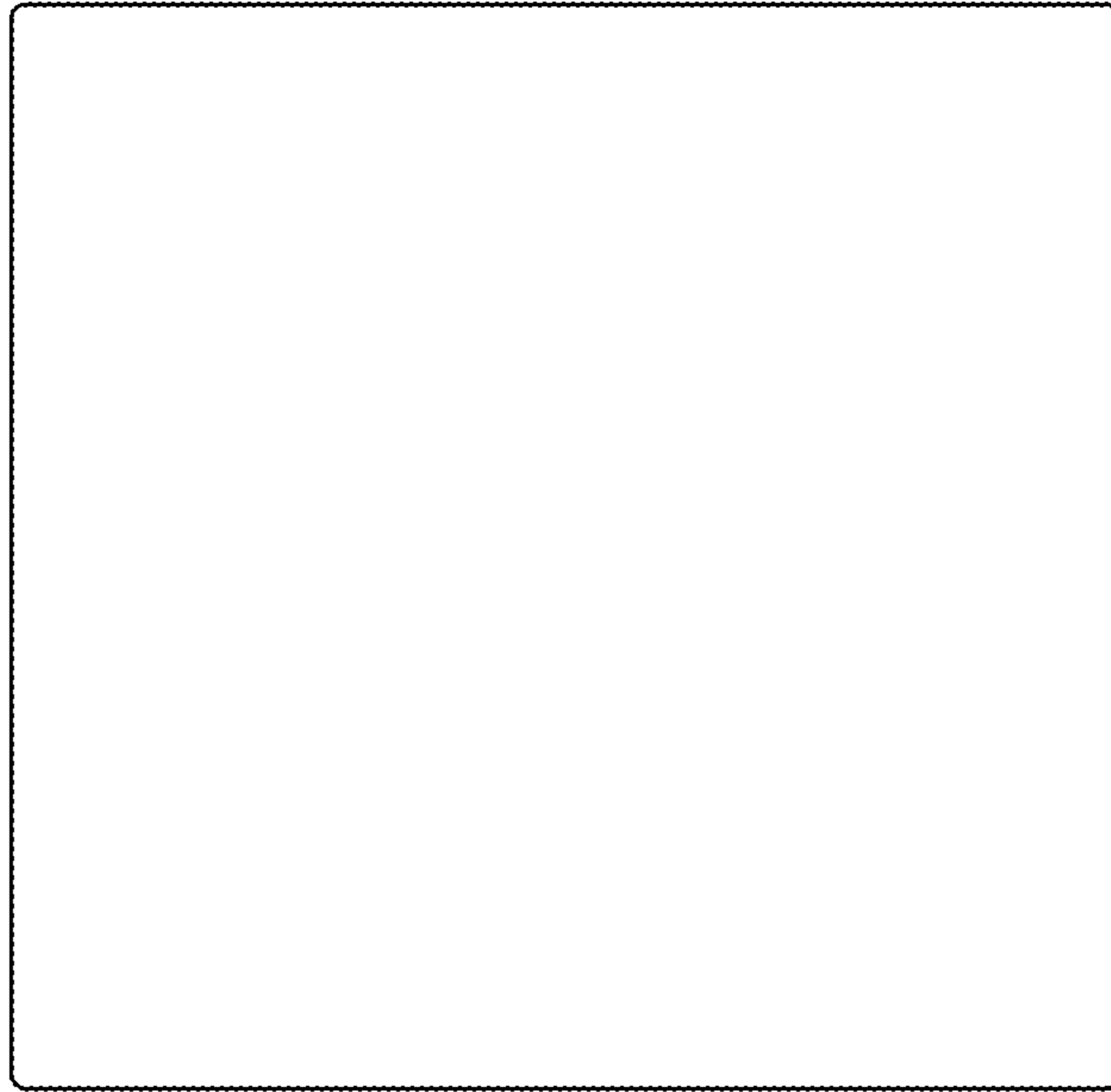
**FIG. 1**



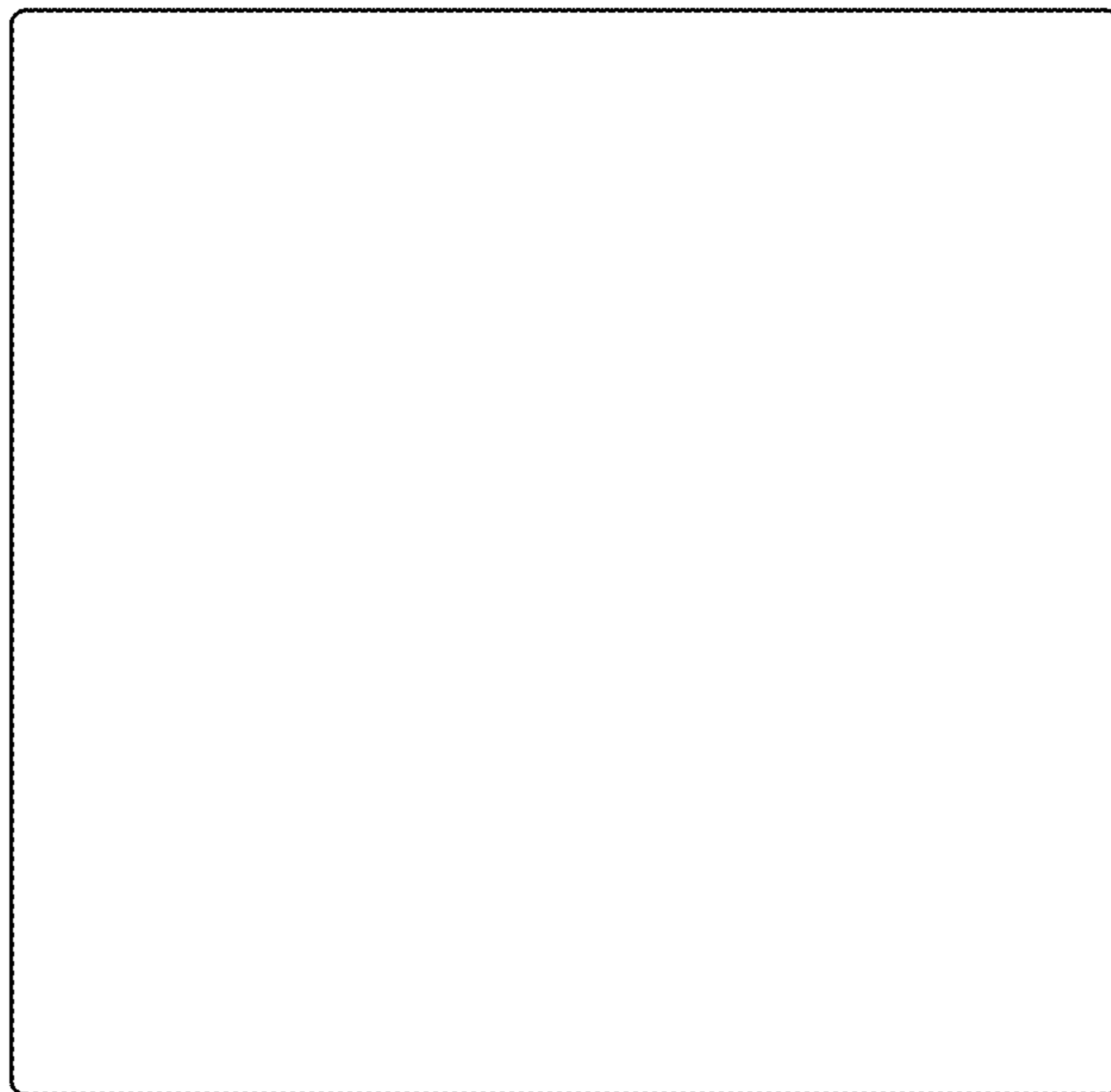
**FIG. 2**



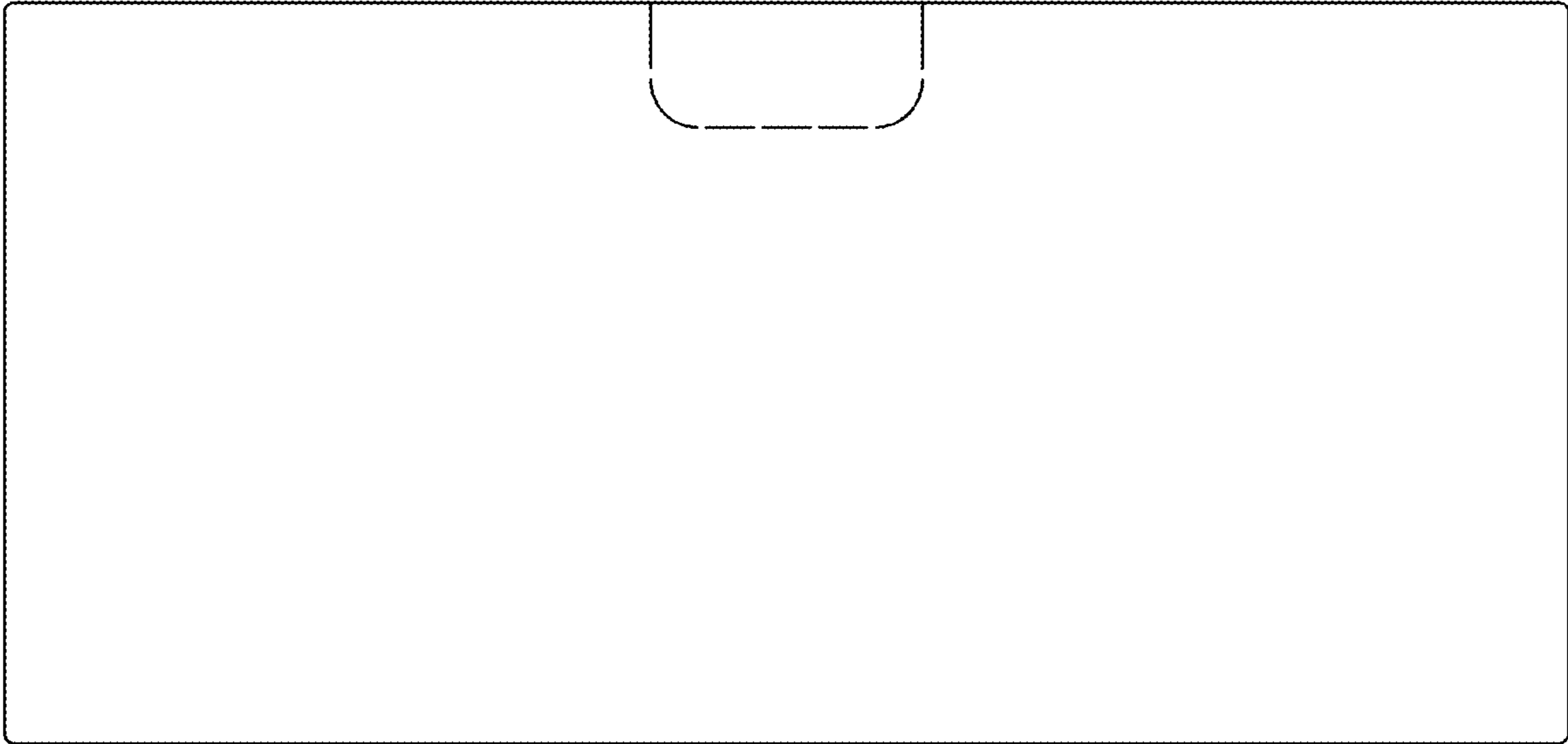
**FIG. 3**



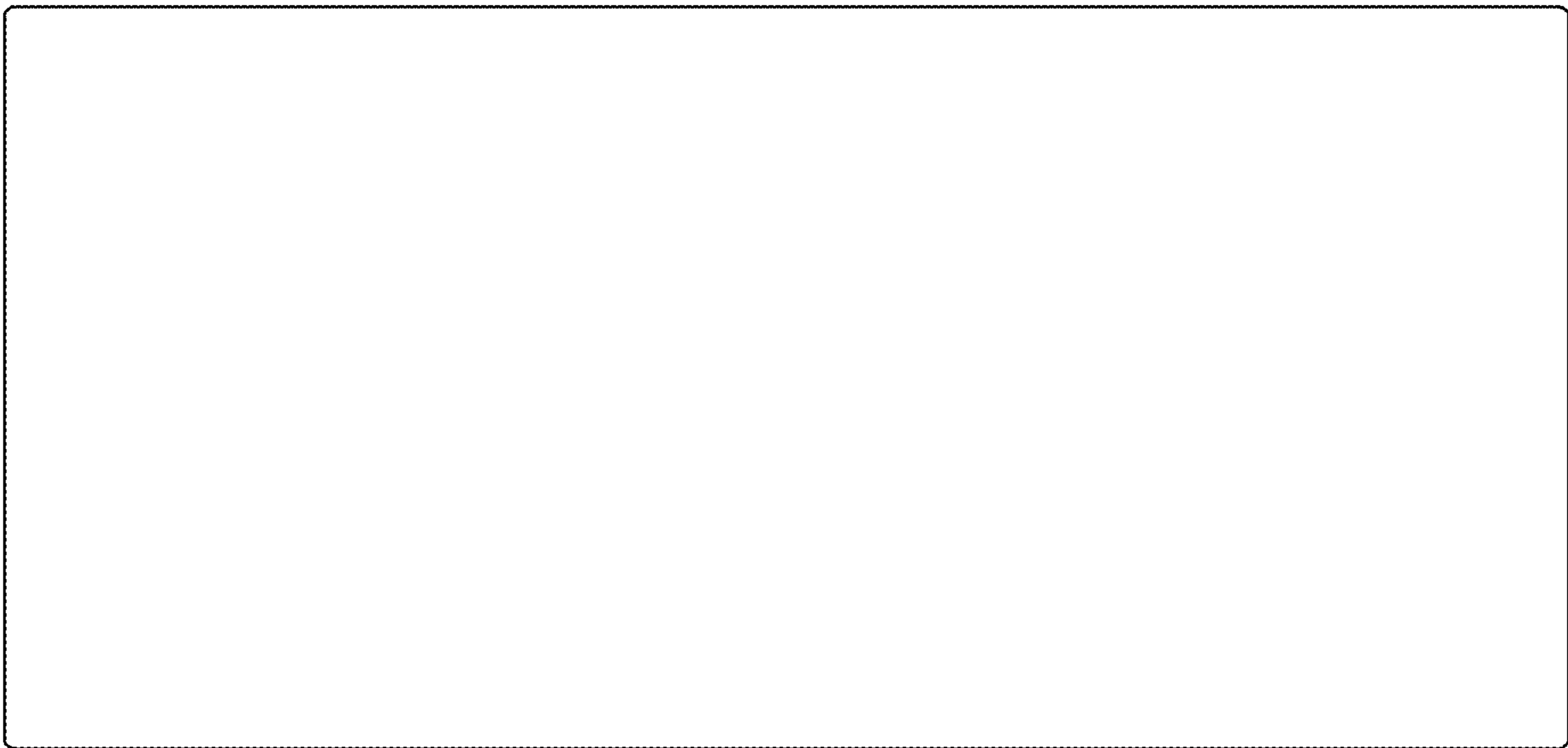
***FIG. 4***



***FIG. 5***



**FIG. 6**



**FIG. 7**