



US00D889974S

(12) **United States Design Patent** (10) **Patent No.:** **US D889,974 S**
Gustafsson et al. (45) **Date of Patent:** **** Jul. 14, 2020**

(54) **BOTTLE**
(71) Applicant: **PepsiCo, Inc.**, Purchase, NY (US)
(72) Inventors: **Niklas Gustafsson**, New York, NY (US); **Christopher Nobles**, Brooklyn, NY (US); **Gustavo de Souza Messias**, Milan (IT); **Christopher John Miller**, Milan (IT)

D469,358 S * 1/2003 Bryant D9/537
D469,359 S * 1/2003 Bryant D9/538
D469,695 S * 2/2003 Bryant D9/538
D469,696 S * 2/2003 Bryant D9/538
D476,896 S * 7/2003 Cheng D9/520
D502,100 S 2/2005 Bretz et al.
D512,312 S 12/2005 Bretz et al.
D543,462 S * 5/2007 Pedmo D9/520

(Continued)

(73) Assignee: **PepsiCo, Inc.**, Purchase, NY (US)

(**) Term: **15 Years**

(21) Appl. No.: **29/680,120**

(22) Filed: **Feb. 13, 2019**

(51) **LOC (12) Cl.** **09-01**

(52) **U.S. Cl.**
USPC **D9/550**; D9/530; D9/537; D9/539

(58) **Field of Classification Search**
USPC D9/434, 505, 516, 540, 550, 560, 668,
D9/670, 681, 687, 694, 700, 537, 538,
D9/500, 552, 556, 539, 520, 502;
D7/500-524, 532

CPC .. B65D 1/0223; B65D 83/205; B65D 83/206;
B65D 2501/0081; B65D 79/005; B65D
2501/0036; B65D 1/0276; B65D 1/0284;
Y10S 220/906; B29L 2031/7158; B29B
2911/14026; B29C 49/06; B29C 49/0005

See application file for complete search history.

(56) **References Cited**

U.S. PATENT DOCUMENTS

D116,861 S 9/1939 Mas
D292,269 S 10/1987 Jacobs et al.
D292,374 S 10/1987 Jacobs et al.
D292,375 S 10/1987 Jacobs et al.
D348,606 S 7/1994 Edstrom
5,385,250 A 1/1995 Pasquale
D435,795 S * 1/2001 Bretz D9/502
D450,589 S * 11/2001 Haake D9/502

FOREIGN PATENT DOCUMENTS

CN 301631664 * 8/2011

OTHER PUBLICATIONS

“Gatorade Gripper” bottle, dated Jun. 29, 1996.
24 ounce E.D.G.E.(Ergonomic/Worm) bottle, dated Dec. 9, 1996.

Primary Examiner — Brett Miller
Assistant Examiner — Rani J Abdallah
(74) *Attorney, Agent, or Firm* — Sterne, Kessler,
Goldstein & Fox, P.L.L.C.

(57) **CLAIM**

The ornamental design for a bottle, as shown and described.

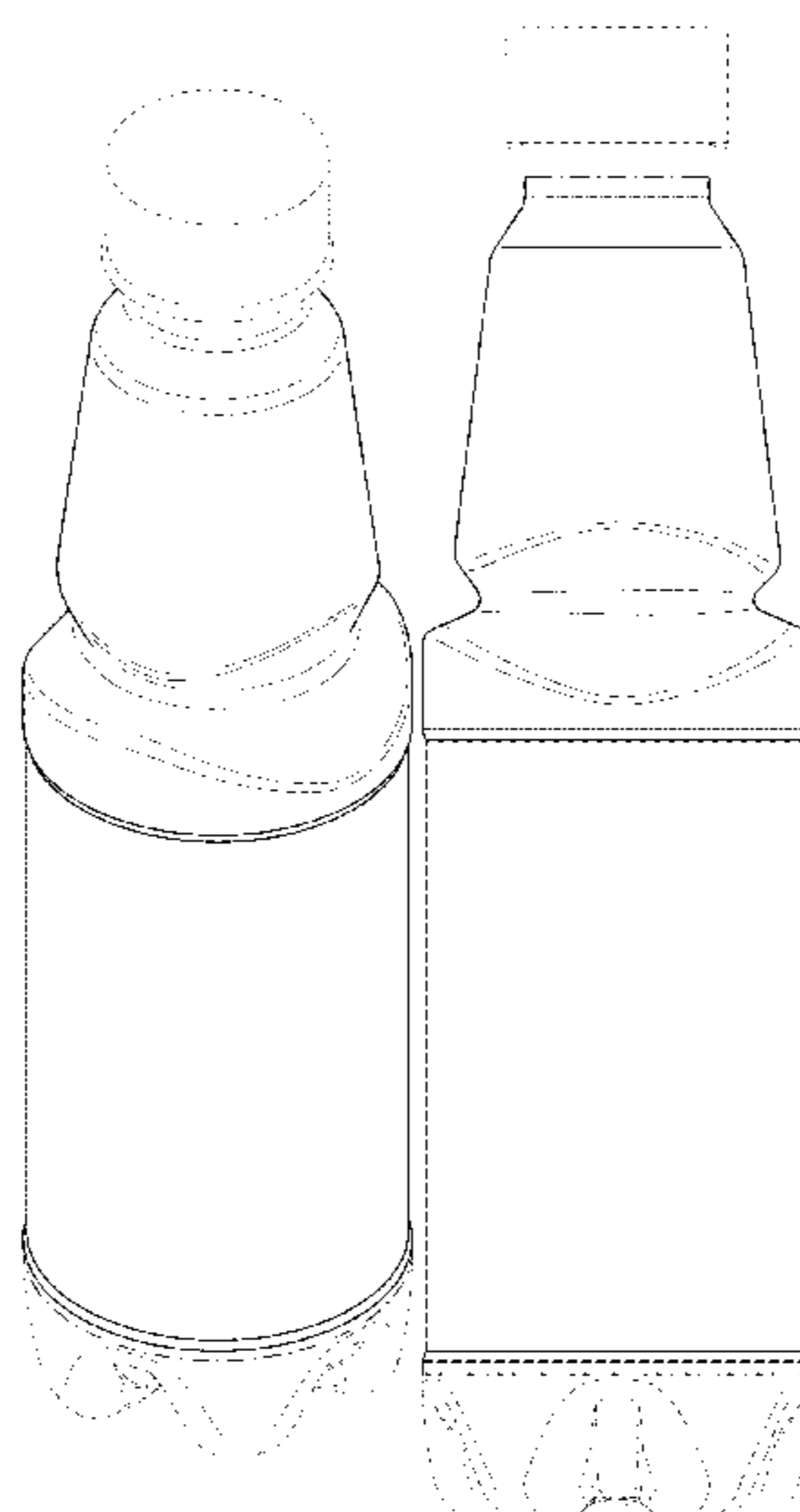
DESCRIPTION

FIG. 1 is a top front perspective view of a bottle showing the claimed design;
FIG. 2 is a bottom rear perspective view thereof;
FIG. 3 is a front view thereof;
FIG. 4 is a rear view thereof;
FIG. 5 is a left side view thereof;
FIG. 6 is a right side view thereof;
FIG. 7 is a top view thereof; and,
FIG. 8 is a bottom view thereof.

The dashed broken lines in the figures show portions of the bottle that form no part of the claimed design.

The dot-dash broken lines in the figures show boundaries that form no part of the claimed design.

1 Claim, 4 Drawing Sheets



(56)

References Cited

U.S. PATENT DOCUMENTS

D568,163 S *	5/2008	Melrose	D9/538
D652,723 S *	1/2012	Reisig	D9/516
D663,625 S *	7/2012	Warneke	D9/539
D706,634 S *	6/2014	Herman	D9/500
2007/0045220 A1 *	3/2007	Pedmo	B65D 1/0284
			215/375
2007/0160787 A1 *	7/2007	Jansen	B29C 49/0005
			428/35.7
2015/0147497 A1 *	5/2015	Brouwer	B65D 1/0223
			428/34.4

* cited by examiner

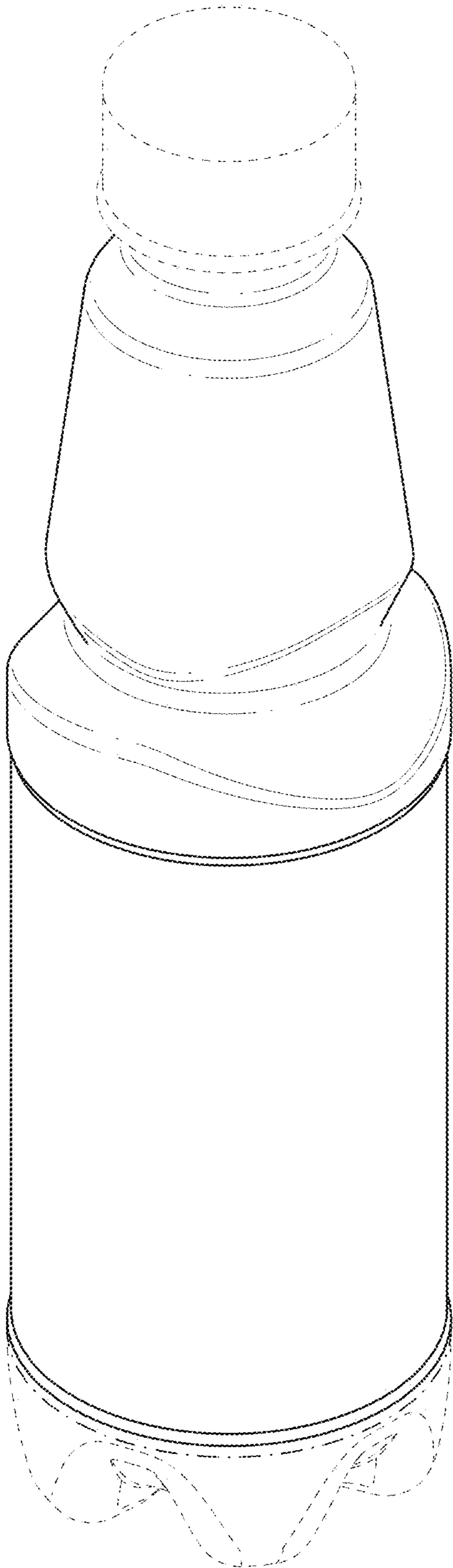


FIG. 1

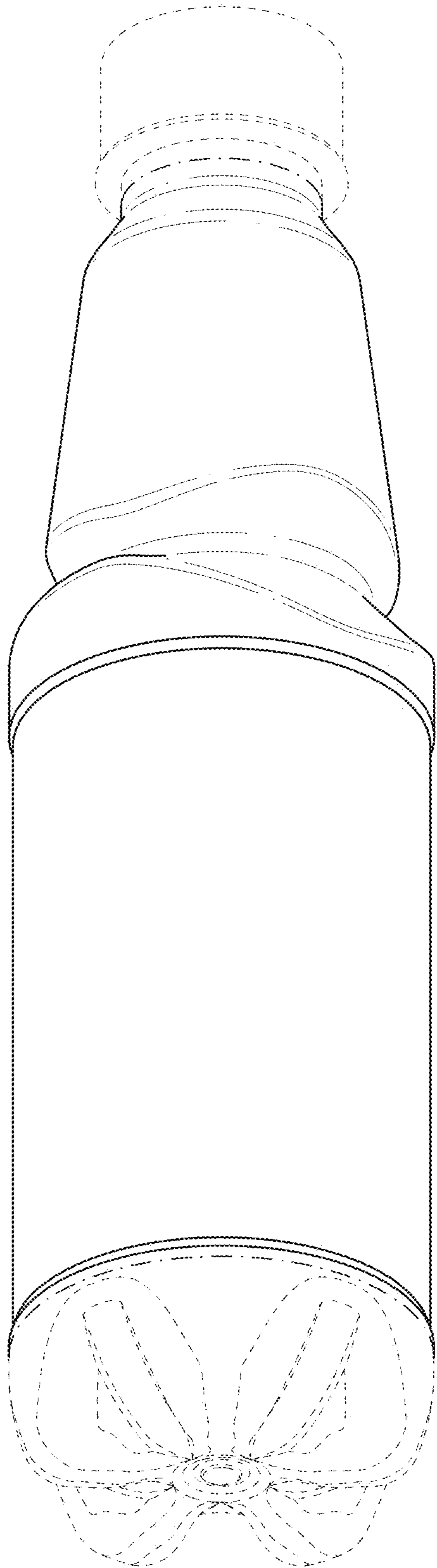


FIG. 2

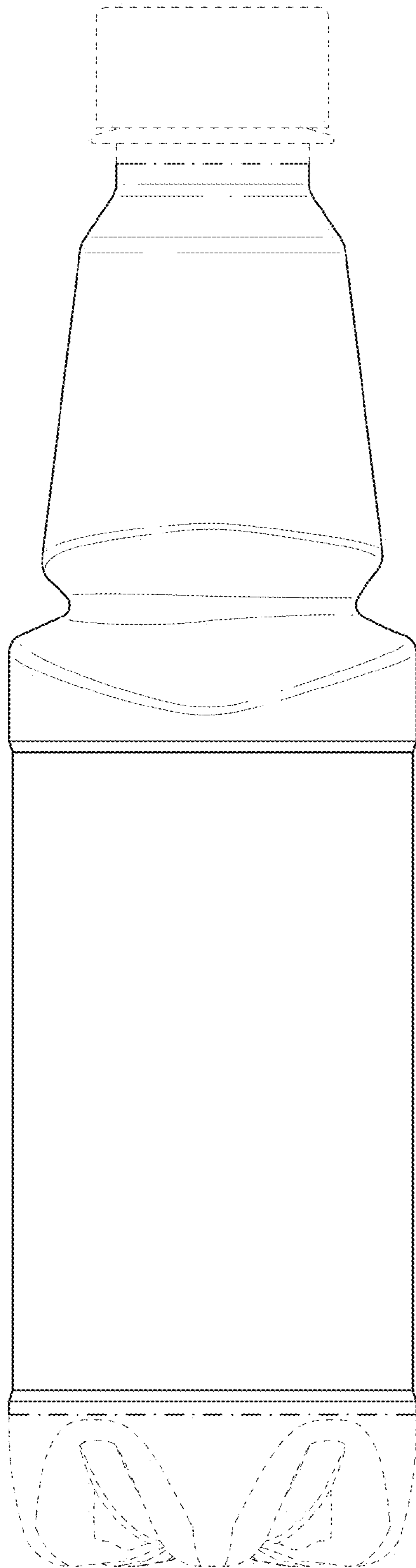


FIG. 3

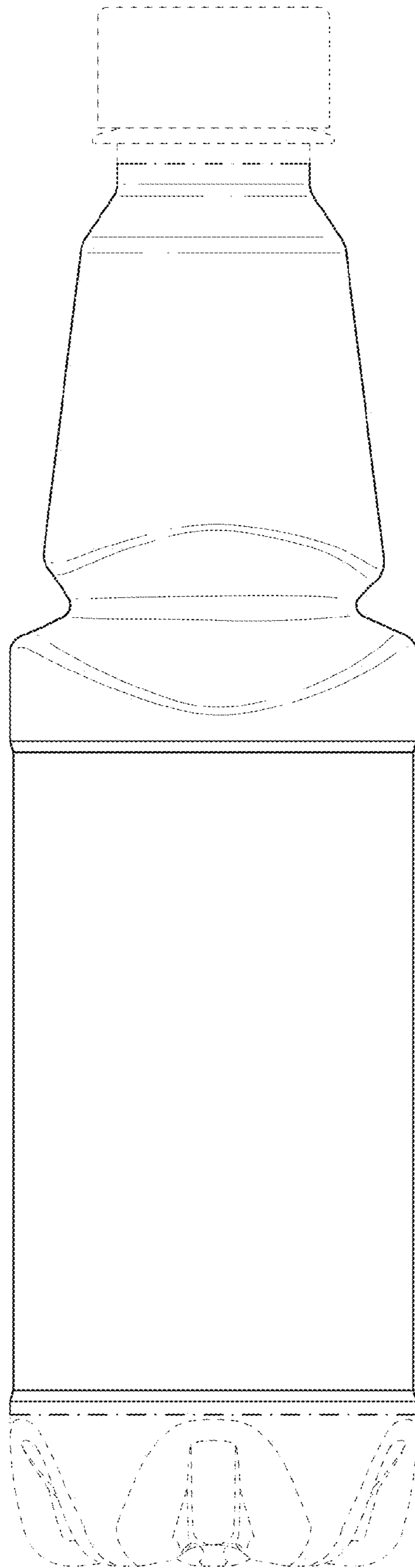


FIG. 4

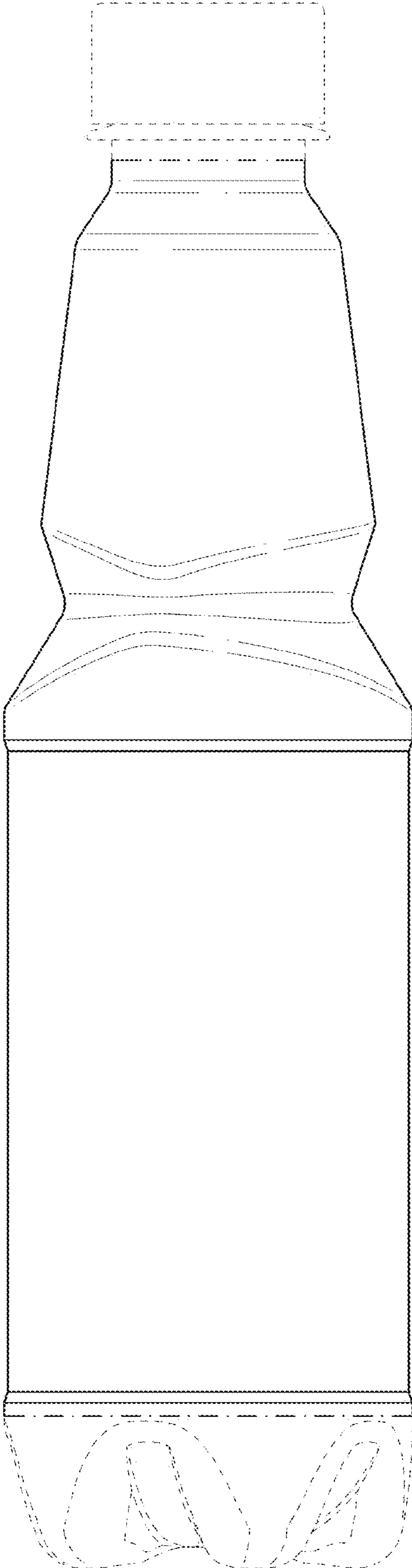


FIG. 5

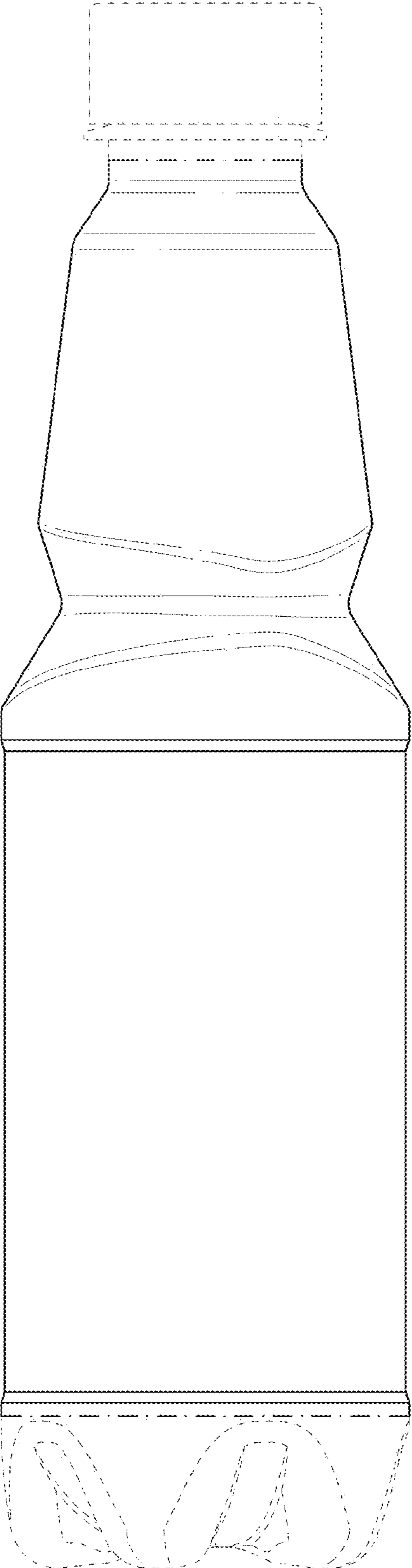


FIG. 6

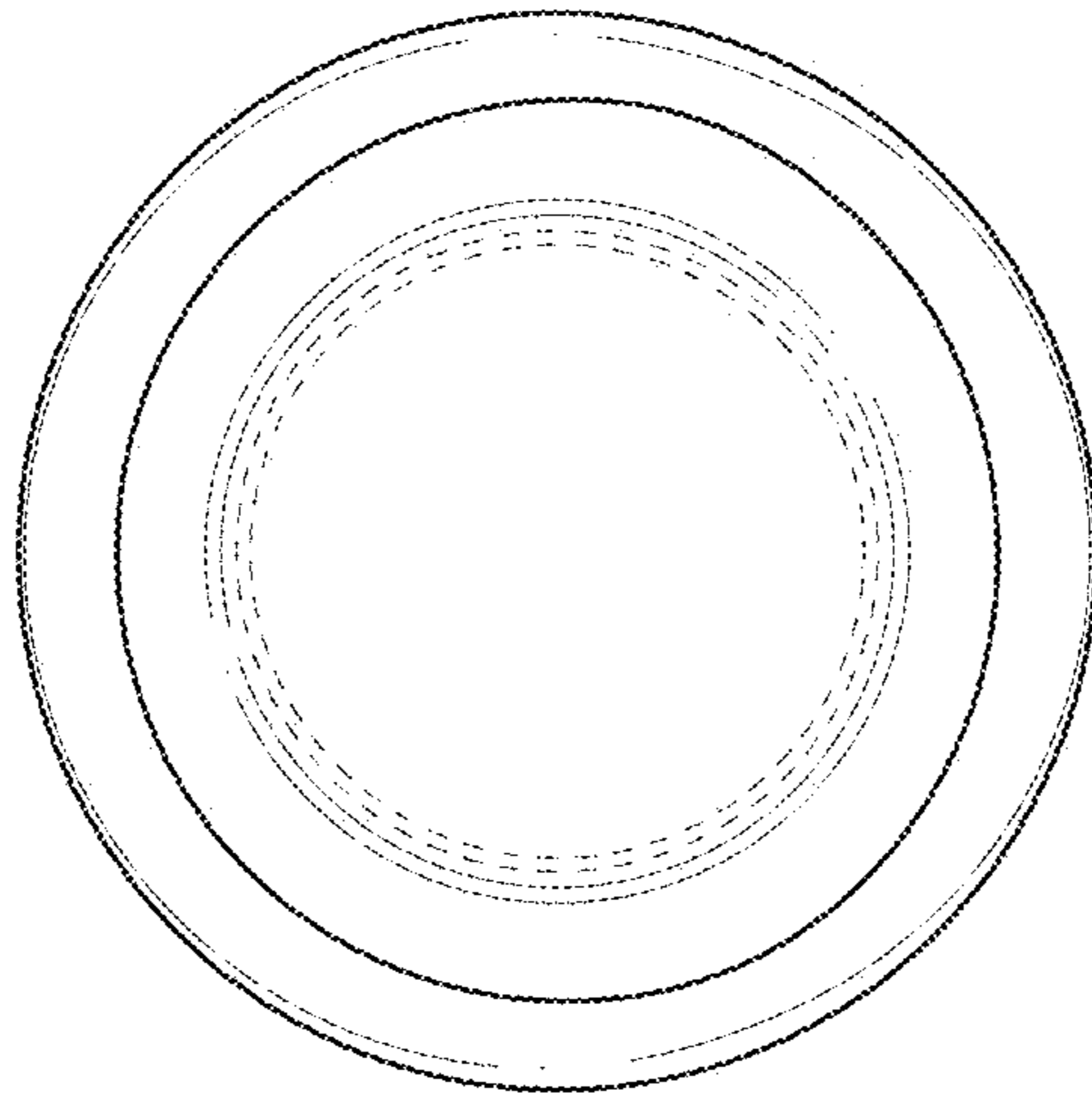


FIG. 7

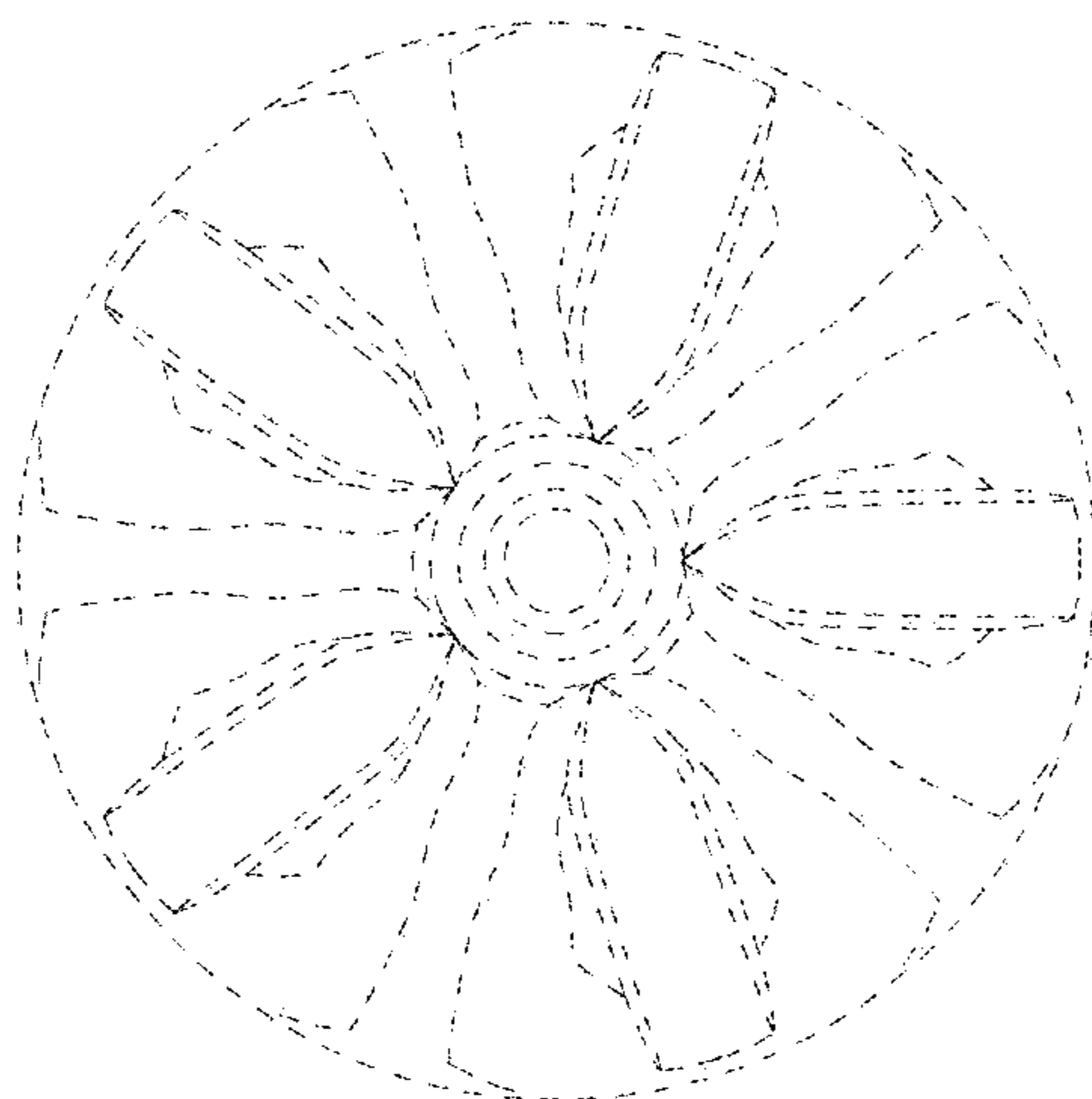


FIG. 8