



US00D889970S

(12) **United States Design Patent**
Bonizzoni et al.

(10) **Patent No.:** **US D889,970 S**

(45) **Date of Patent:** **** *Jul. 14, 2020**

(54) **CAPSULE FOR COFFEE OR SIMILAR PRODUCTS**

(71) Applicant: **MITACA S.R.L.**, Robecchetto Con Induno, Milan (IT)

(72) Inventors: **Angelo Bonizzoni**, Milan (IT); **Francesco Minerba**, Milan (IT)

(73) Assignee: **MITACA S.R.L.**, Milan (IT)

(*) Notice: This patent is subject to a terminal disclaimer.

(**) Term: **15 Years**

(21) Appl. No.: **29/675,122**

(22) Filed: **Dec. 28, 2018**

(30) **Foreign Application Priority Data**

Jun. 28, 2018 (EP) 005328754-0002

(51) **LOC (12) Cl.** **09-07**

(52) **U.S. Cl.**
USPC **D9/503; D7/400**

(58) **Field of Classification Search**
USPC D9/500, 503, 504, 529, 716; D7/630, D7/738, 740, 741, 743, 744, 745
CPC B65D 85/8043; B65D 85/8046; B65D 85/804; B65D 43/02; B65D 2081/007; B65D 75/5883; B65D 77/38; B65D 85/72; B65D 25/08; B65D 85/808
See application file for complete search history.

(56) **References Cited**

U.S. PATENT DOCUMENTS

D625,149 S *	10/2010	Stamper	D7/538
D692,760 S *	11/2013	Rapparini	D9/425
D740,655 S *	10/2015	Maki	D9/428
D749,411 S *	2/2016	Corsetti	D9/503

D751,385 S *	3/2016	Rapparini	D9/500
D753,954 S *	4/2016	Schreiber	D7/400
D788,577 S *	6/2017	Schaude	D9/416
D796,898 S *	9/2017	Robotti	D7/400
D797,503 S *	9/2017	Robotti	D7/400
D826,053 S *	8/2018	Schaling	D9/503
10,273,076 B2 *	4/2019	Chapman	A47J 31/36
2010/0203198 A1 *	8/2010	Yoakim	A47J 31/22 426/80
2011/0003040 A1 *	1/2011	Graf	A23L 19/13 426/98
2012/0097602 A1 *	4/2012	Tedford	B65D 65/466 210/500.1
2014/0087028 A1 *	3/2014	Orsi	B65D 85/8043 426/77
2014/0166659 A1 *	6/2014	Antal, Sr.	B65D 43/0256 220/521
2014/0186498 A1 *	7/2014	Dogan	B65D 85/8043 426/115
2015/0024095 A1 *	1/2015	Pippig	B65D 77/2024 426/106
2017/0001794 A1 *	1/2017	Mathias	A23F 5/08
2017/0158422 A1 *	6/2017	Andreae	B65D 65/466
2018/0155117 A1 *	6/2018	Verri	B65D 85/8043
2018/0162634 A1 *	6/2018	De Ruvo	B65D 85/8043

(Continued)

Primary Examiner — Lauren R Calve

(74) *Attorney, Agent, or Firm* — Young & Thompson

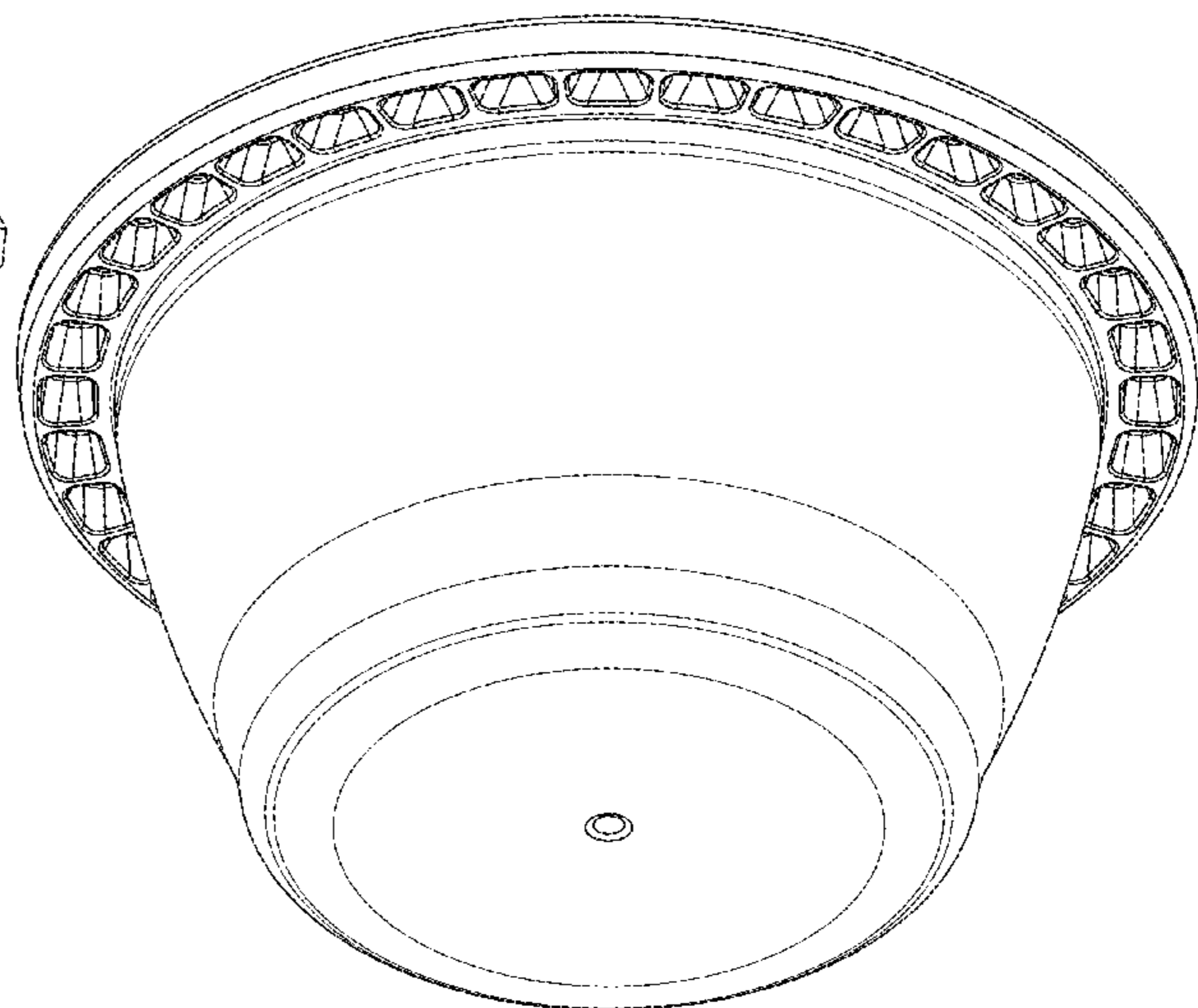
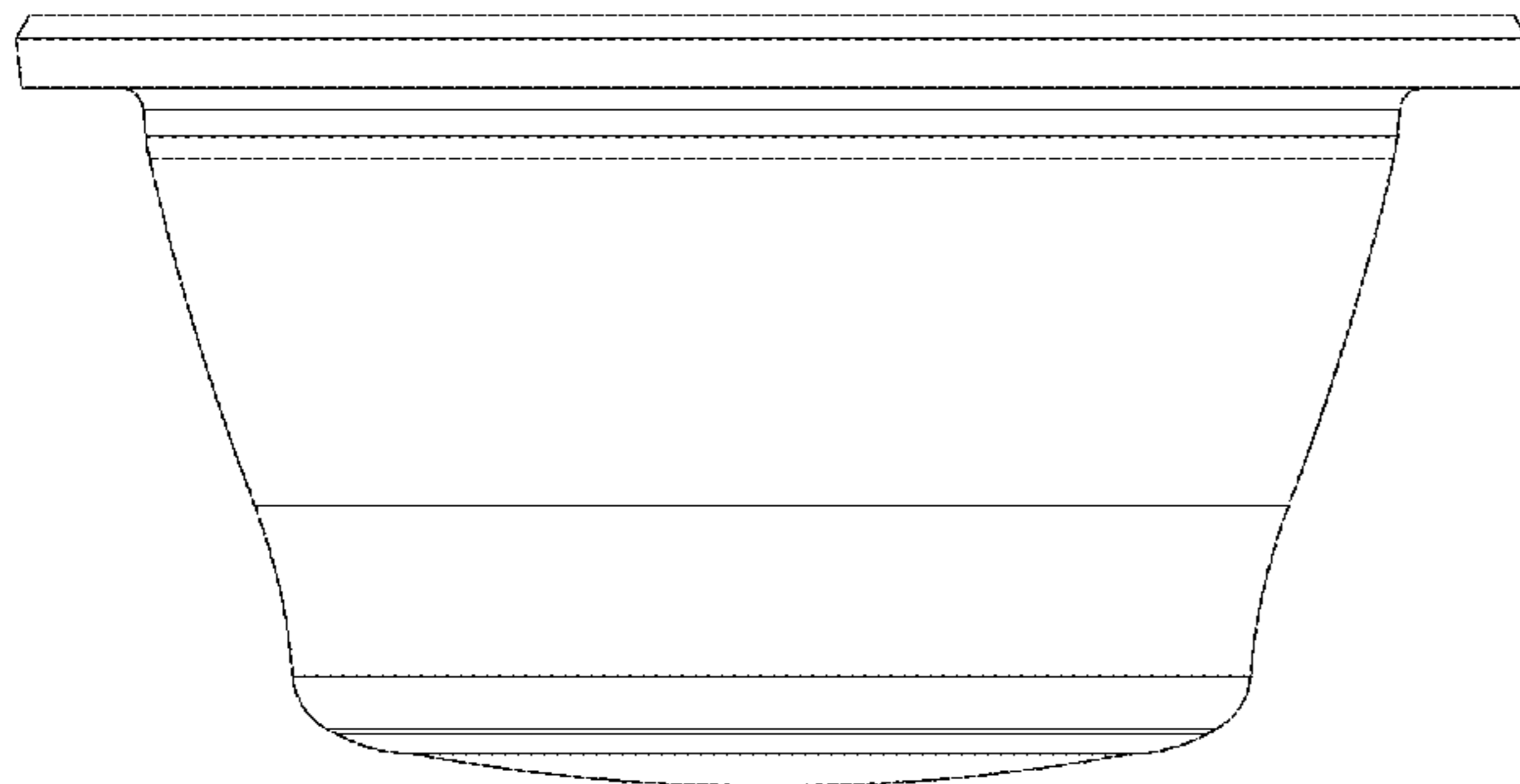
(57) **CLAIM**

The ornamental design for a capsule for coffee or similar products, as shown and described.

DESCRIPTION

FIG. 1 is a bottom plan view of a capsule for coffee or similar products showing the new design; FIG. 2 is a side elevation view thereof; FIG. 3 is a side elevation view thereof from the opposite side as compared to FIG. 2; FIG. 4 is a top plan view thereof; and, FIG. 5 is a bottom perspective view thereof.

1 Claim, 5 Drawing Sheets



(56)

References Cited

U.S. PATENT DOCUMENTS

2018/0194545 A1* 7/2018 Bisio B65D 85/8043
2019/0055084 A1* 2/2019 D'Urso B65D 85/8043
2019/0062025 A1* 2/2019 Rivera B65D 85/8043
2019/0337713 A1* 11/2019 Ergican A47J 31/407

* cited by examiner

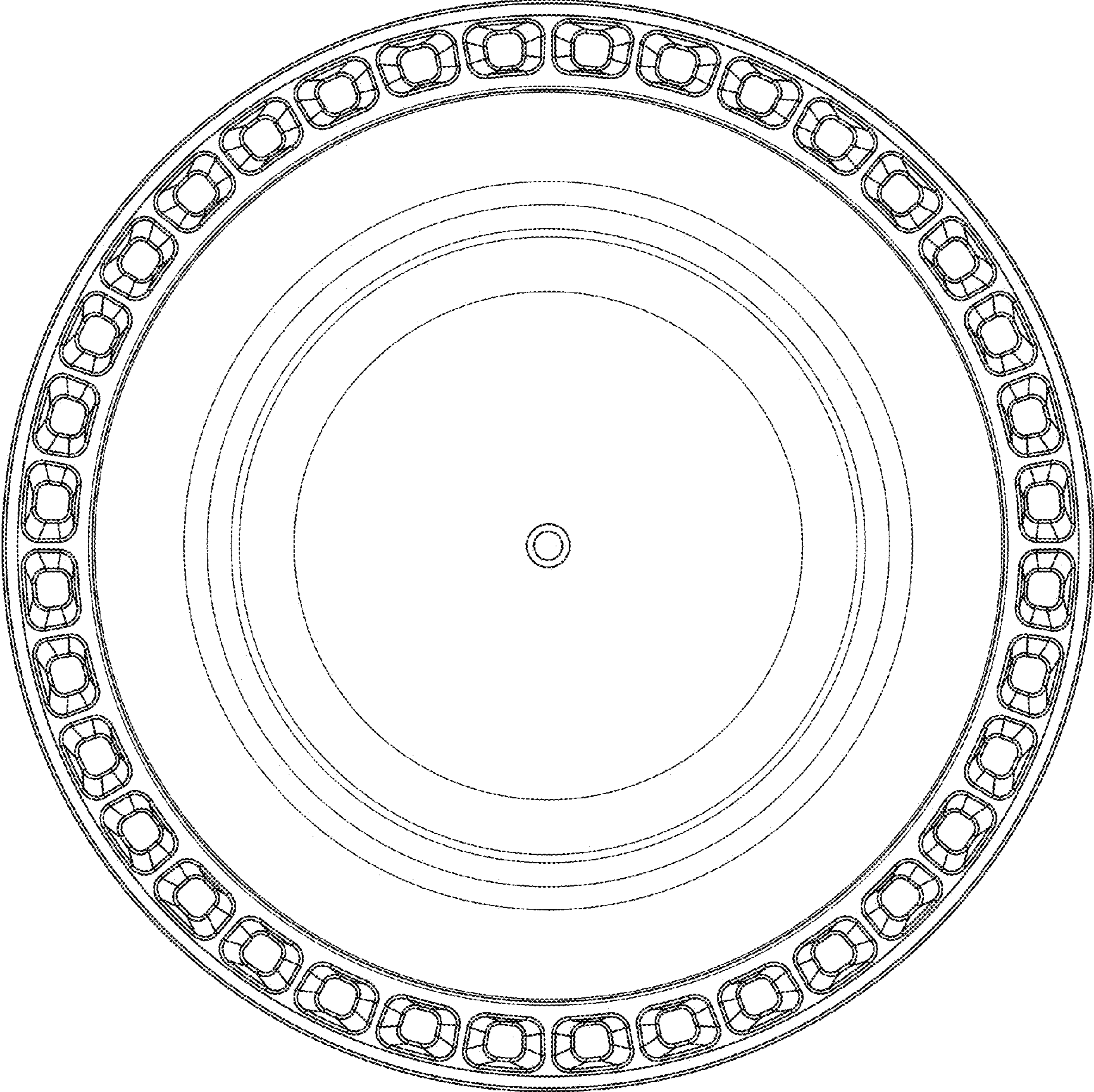


FIG.1

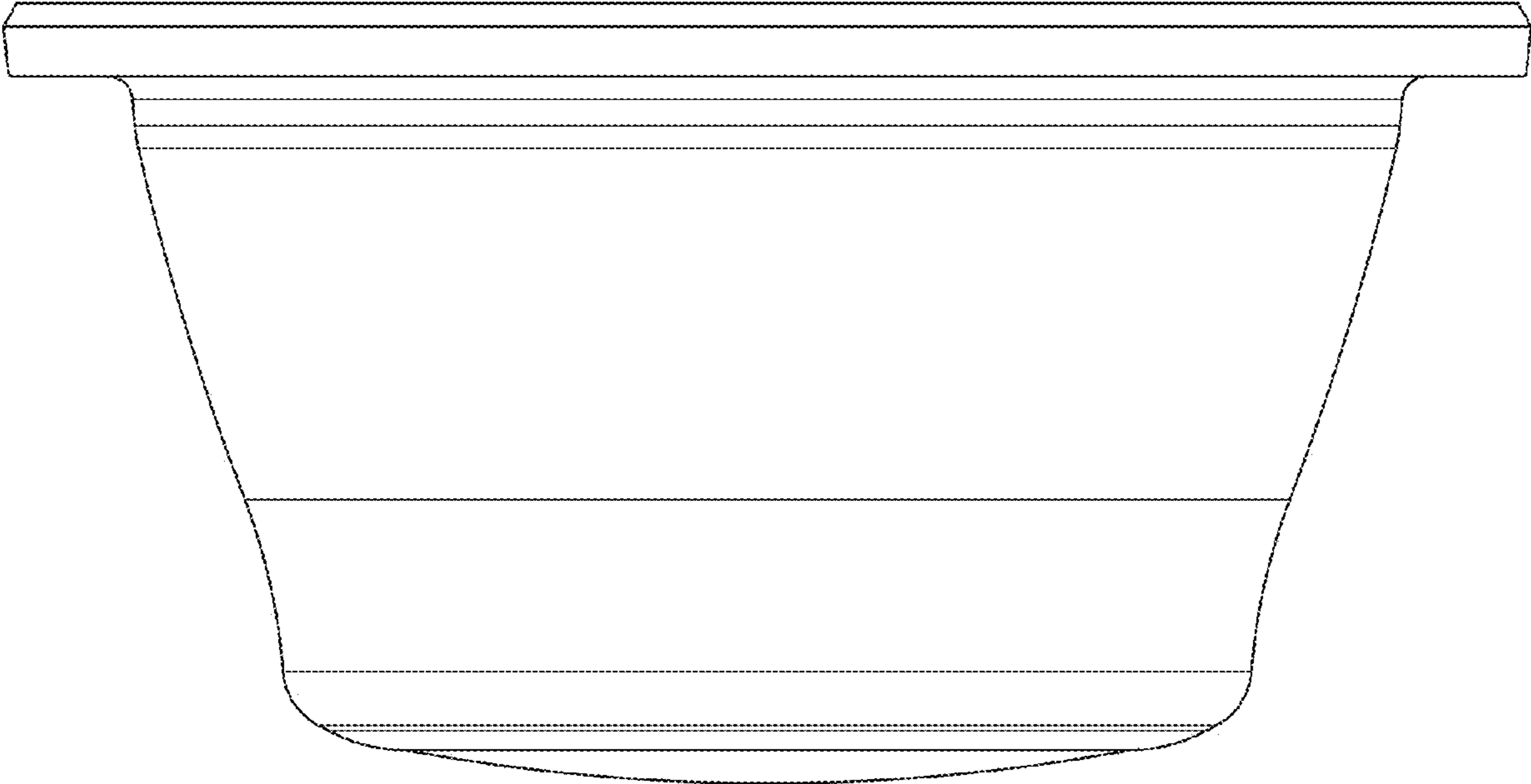


FIG.2

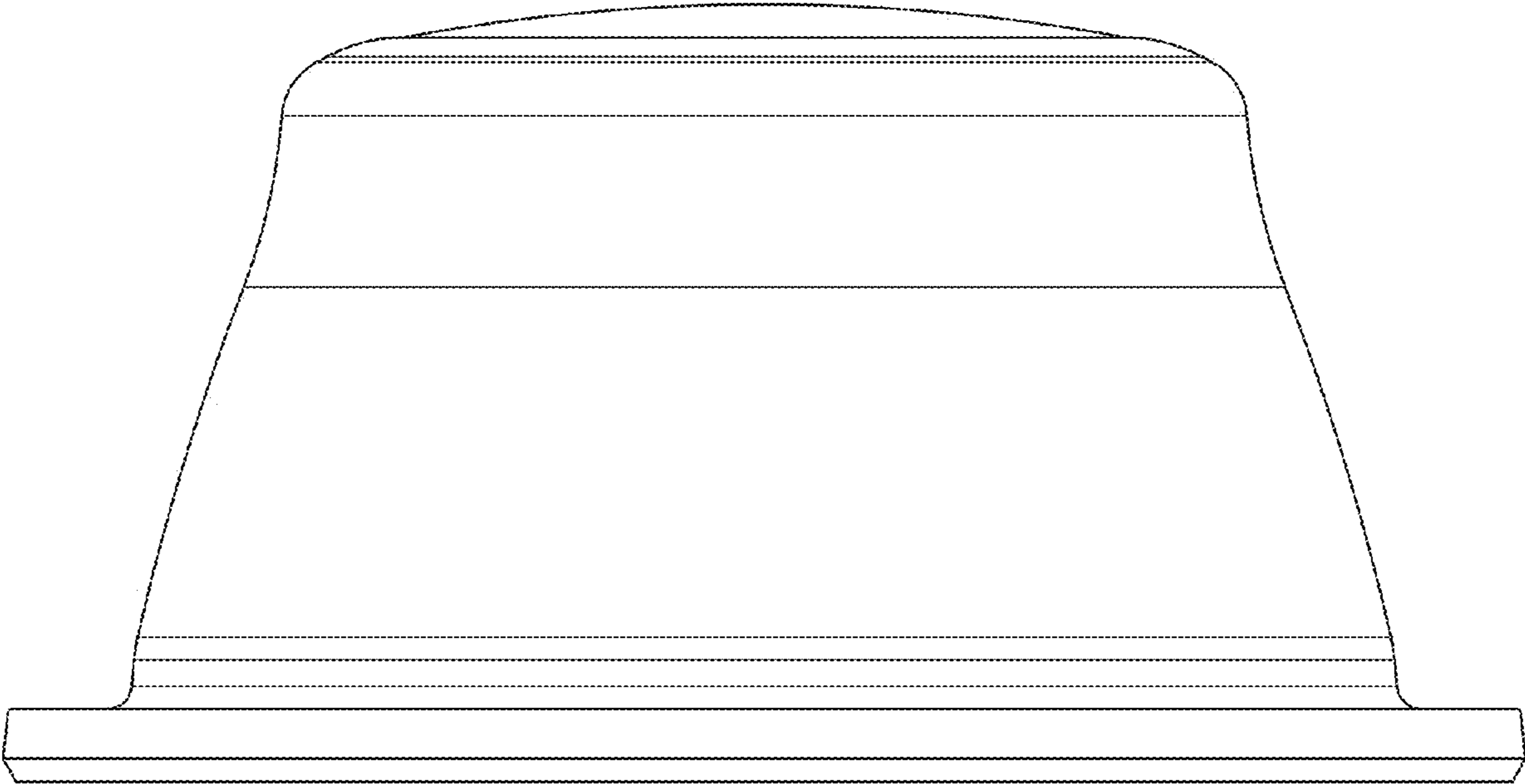


FIG.3

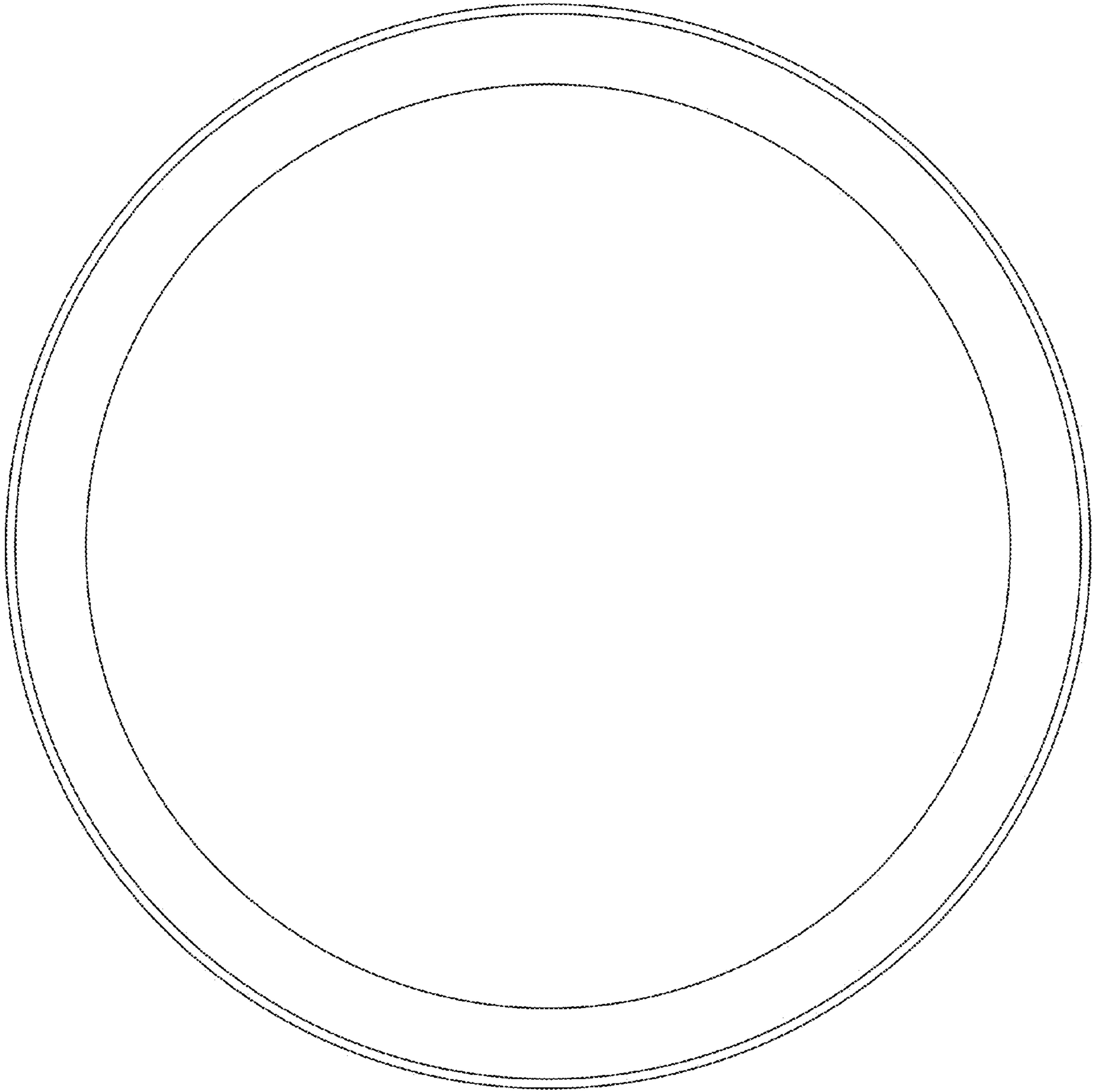


FIG.4

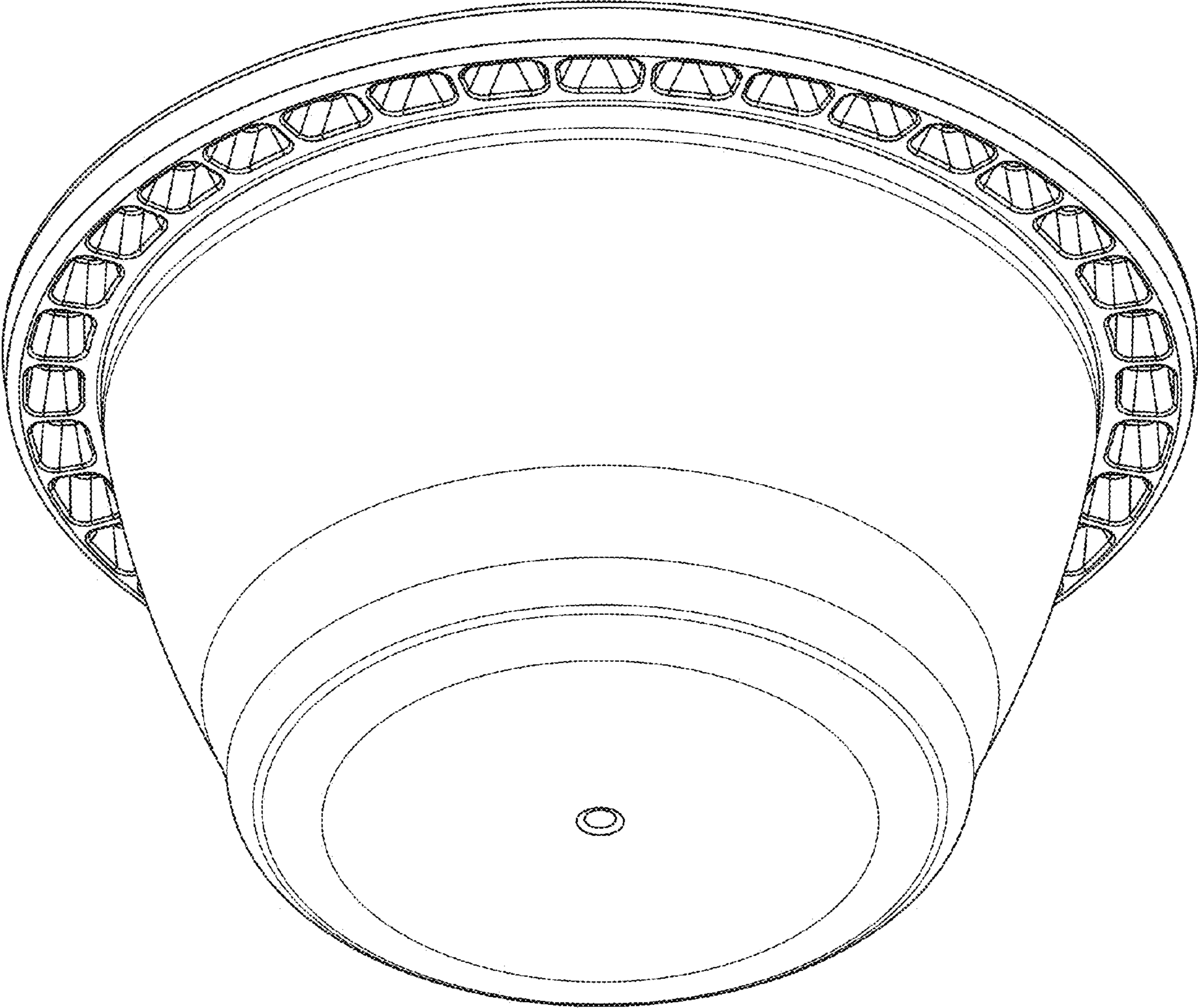


FIG.5