



US00D889969S

(12) **United States Design Patent**  
**Smith**

(10) **Patent No.:** **US D889,969 S**

(45) **Date of Patent:** **\*\* Jul. 14, 2020**

(54) **CONTAINER**

(71) Applicant: **Owens-Brockway Glass Container Inc.**, Perrysburg, OH (US)

(72) Inventor: **Taylor Smith**, Findlay, OH (US)

(73) Assignee: **Owens-Brockway Glass Container Inc.**, Perrysburg, OH (US)

(\*\*) Term: **15 Years**

(21) Appl. No.: **29/708,783**

(22) Filed: **Oct. 9, 2019**

(51) **LOC (12) Cl.** ..... **09-01**

(52) **U.S. Cl.**  
USPC ..... **D9/500**

(58) **Field of Classification Search**  
USPC ..... D9/434, 500, 502–505, 516, 530, 537,  
D9/539, 545, 549, 558, 715, 719,  
D9/763–764, 772, 776–780  
CPC ..... B65D 1/00; B65D 1/02; B65D 1/0223;  
B65D 23/00; B65D 81/00; B65D  
2501/00; B65D 2501/0009  
See application file for complete search history.

(56) **References Cited**

**U.S. PATENT DOCUMENTS**

730,510 A *	6/1903	Beach	.....	B65D 1/0246 215/43
D120,769 S	5/1940	Wilmet		
D175,306 S	8/1955	Decanter		
D176,506 S	1/1956	DuPree		
D196,391 S	9/1963	Platte		
3,143,250 A *	8/1964	Pengue	.....	B65D 83/38 222/182
D201,997 S	8/1965	Luedtke		
D210,351 S	3/1968	Fuerst		
5,667,107 A *	9/1997	Lindsey	.....	B65D 23/003 222/173

D386,412 S	11/1997	Heinz		
D404,312 S	1/1999	Granai		
D500,445 S	1/2005	DeBiasse et al.		
D619,460 S	7/2010	Beckerman		
D646,572 S	10/2011	Koeleman		
8,087,547 B1 *	1/2012	Lindsey	.....	B65D 35/56 222/1
D731,315 S *	6/2015	Pires	.....	D9/503
D739,737 S	9/2015	Paredes et al.		
D786,684 S	5/2017	McGreevy et al.		
D801,179 S	10/2017	McGreevy et al.		
D811,889 S	3/2018	Cheng		
D818,826 S	5/2018	Jovanovic		
D833,874 S	11/2018	Harrison et al.		
D850,916 S *	6/2019	Kuma	.....	D9/504
D859,156 S *	9/2019	Handley	.....	D9/500

\* cited by examiner

*Primary Examiner* — Dana Meyrow

(57) **CLAIM**

I claim the ornamental design for the container, as shown and described.

**DESCRIPTION**

FIG. 1 is an upper perspective view of a container in accordance with my new claimed design.

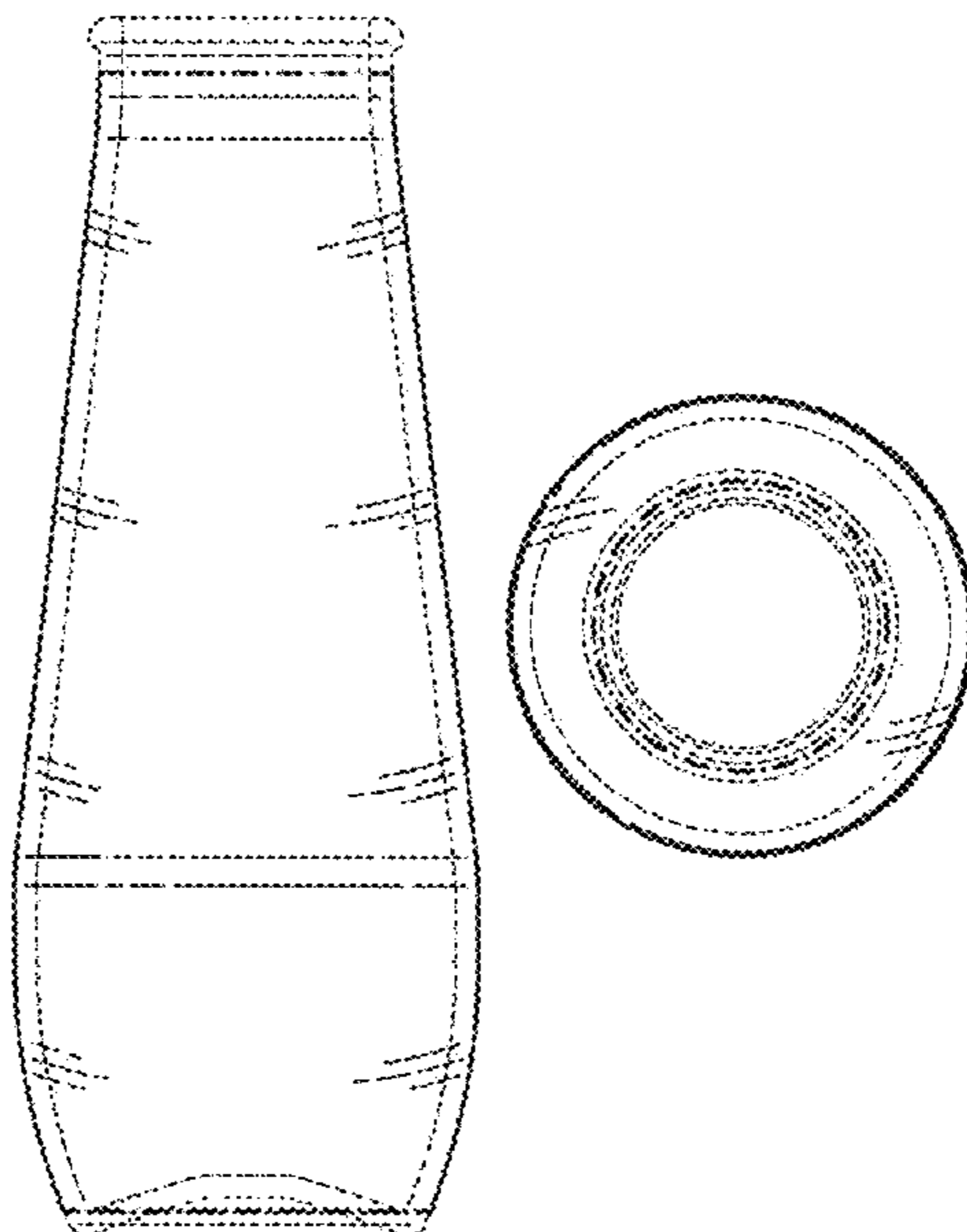
FIG. 2 is a front elevational view of the container in FIG. 1, the left, right, and rear elevational views being substantially the same as the front elevational view.

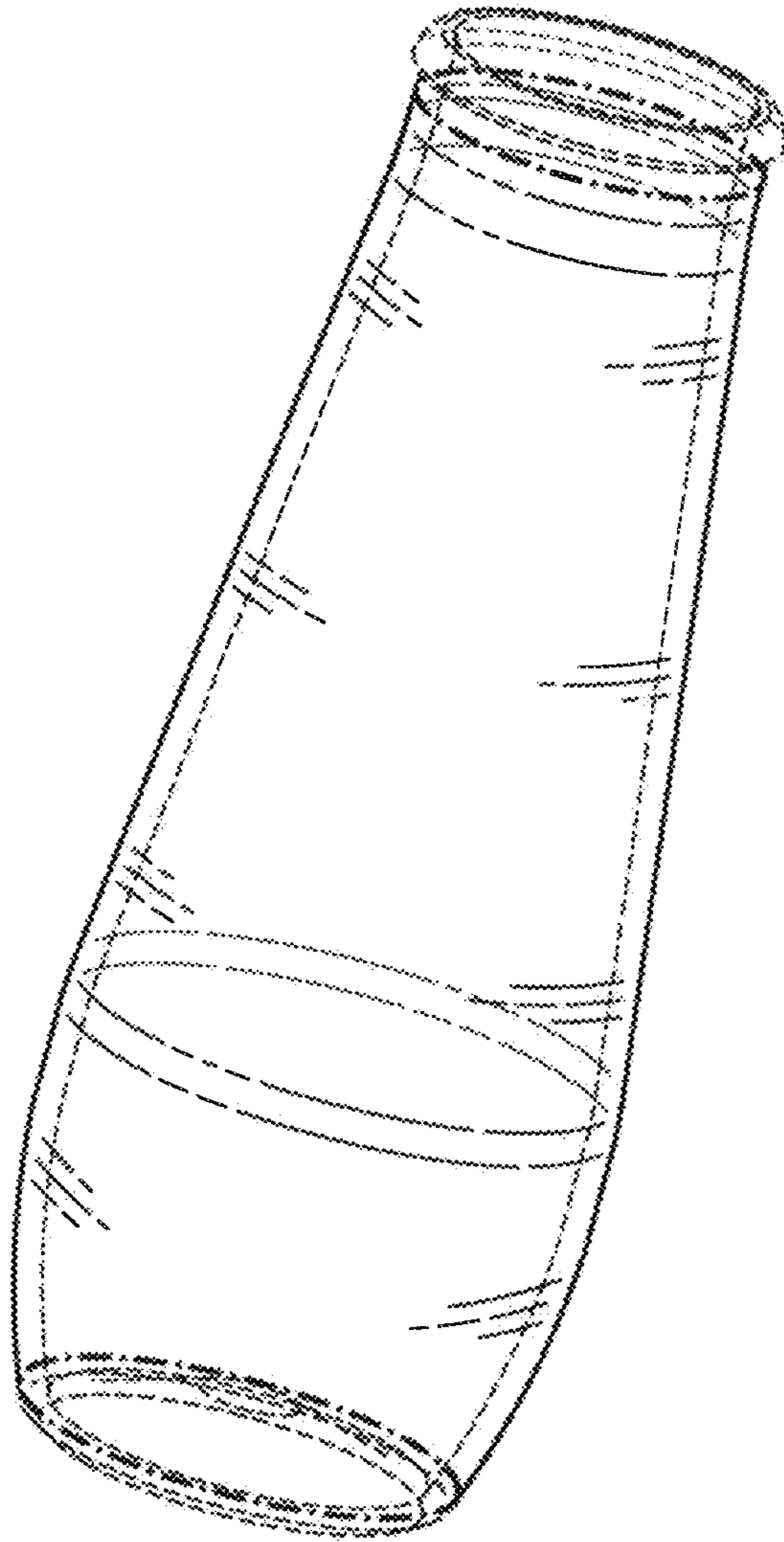
FIG. 3 is a top view of the container in FIG. 1; and, FIG. 4 is a bottom view of the container in FIG. 1.

Dash-dash broken lines shown in the drawings illustrate portions of the container that form no part of the claimed design.

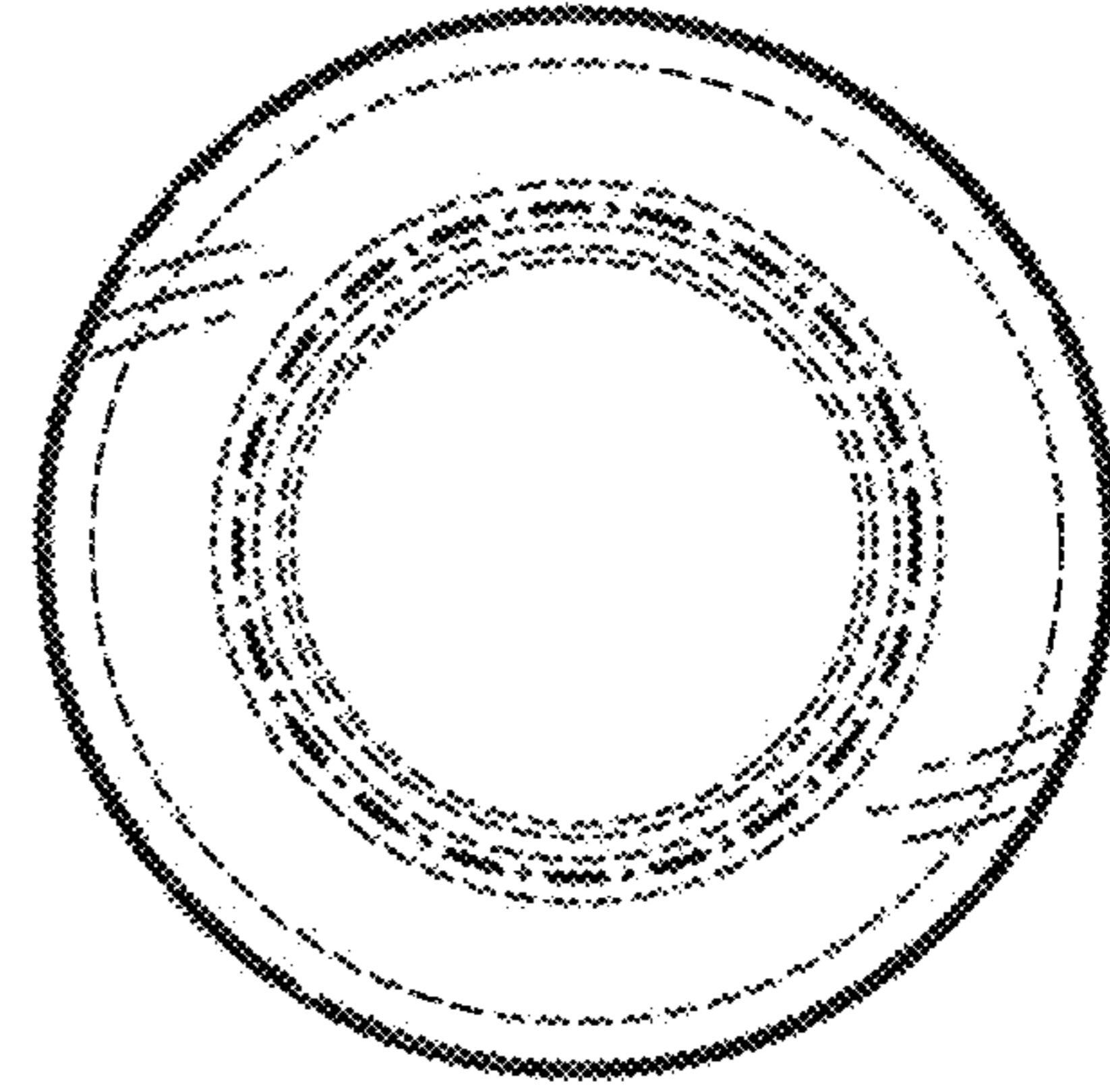
Dash-dot broken lines shown in the drawings represent boundaries of the claimed design and form no part of the claimed design.

**1 Claim, 1 Drawing Sheet**

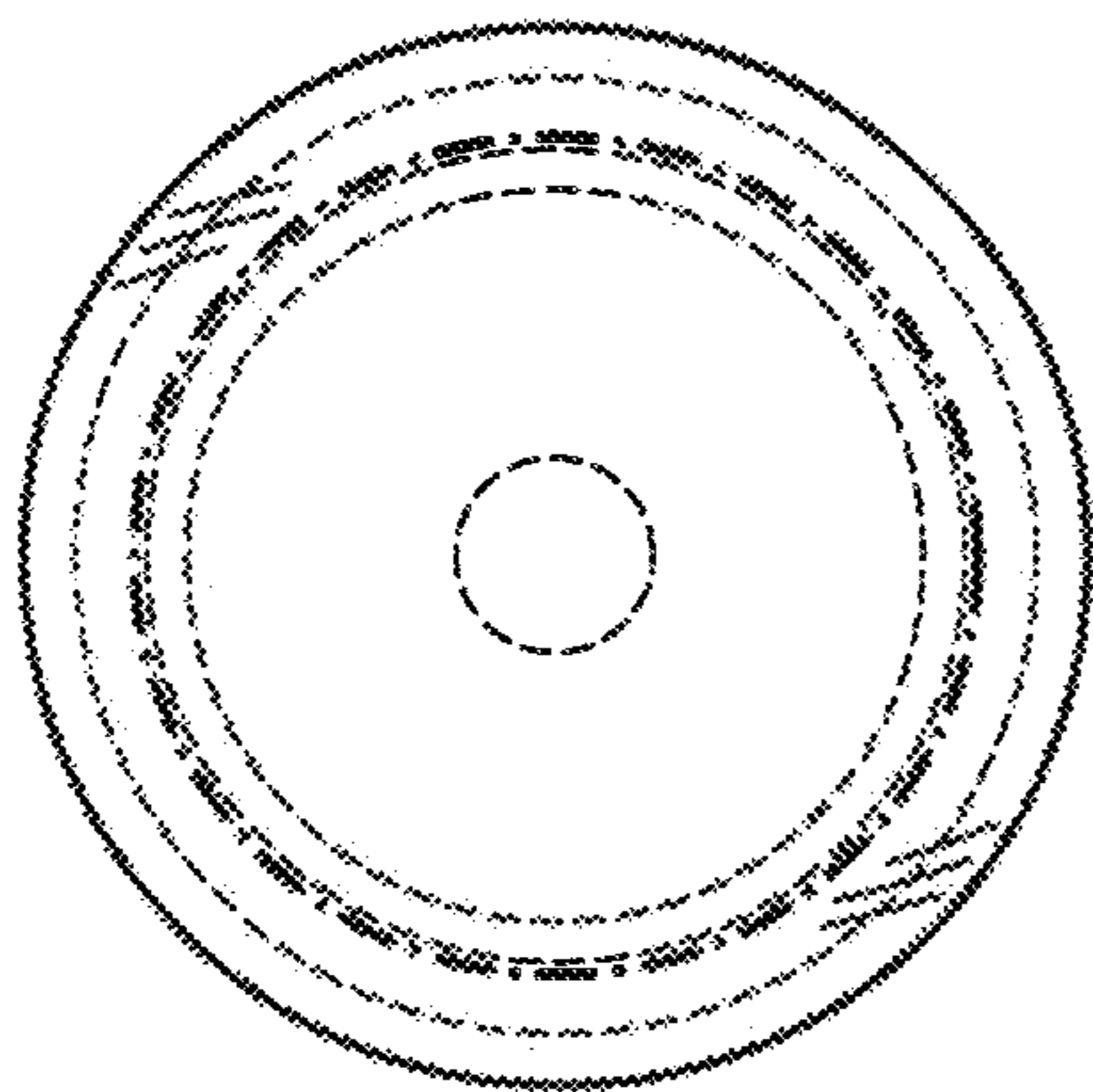




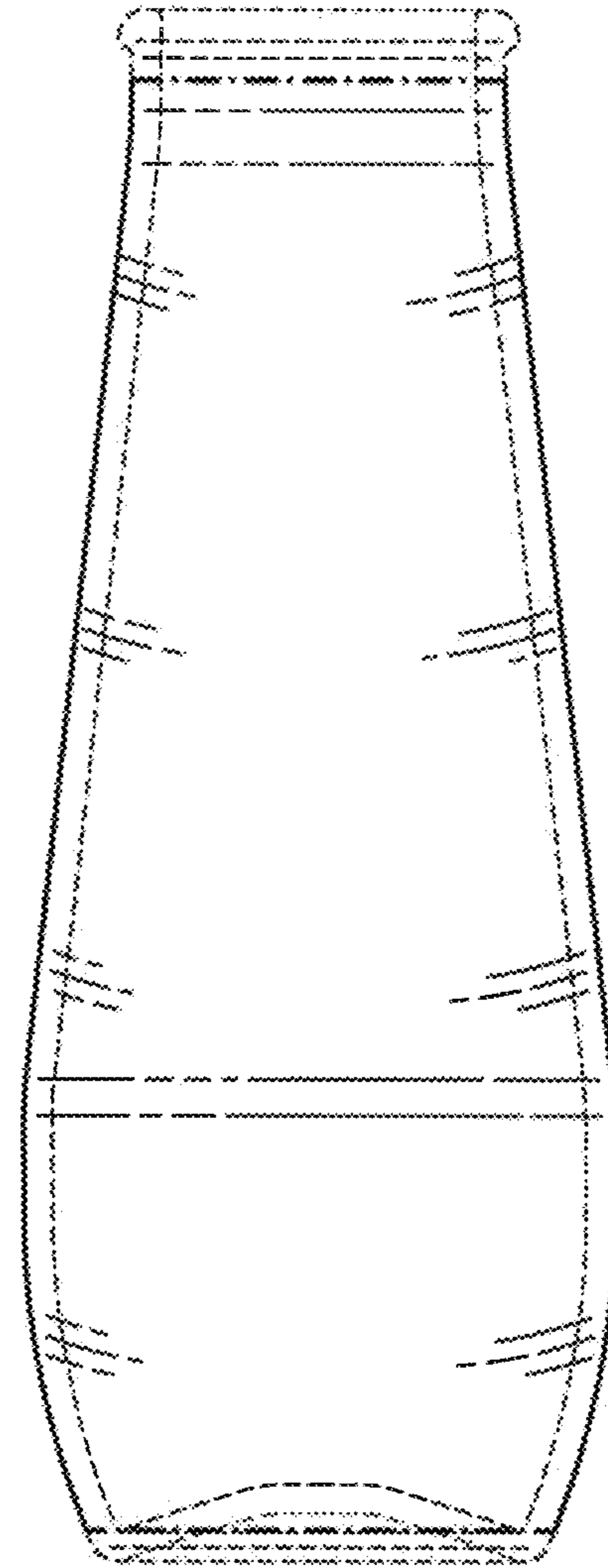
**FIG. 1**



**FIG. 3**



**FIG. 4**



**FIG. 2**