



US00D889968S

(12) **United States Design Patent**  
**Smith**

(10) **Patent No.:** **US D889,968 S**  
(45) **Date of Patent:** **\*\* Jul. 14, 2020**

- (54) **CONTAINER**
- (71) Applicant: **Owens-Brockway Glass Container Inc., Perrysburg, OH (US)**
- (72) Inventor: **Taylor Smith, Findlay, OH (US)**
- (73) Assignee: **Owens-Brockway Glass Container Inc., Perrysburg, OH (US)**
- (\*\*) Term: **15 Years**
- (21) Appl. No.: **29/708,782**
- (22) Filed: **Oct. 9, 2019**
- (51) **LOC (12) Cl.** ..... **09-01**
- (52) **U.S. Cl.**  
USPC ..... **D9/500**
- (58) **Field of Classification Search**  
USPC ..... D9/434, 500, 502-505, 516, 530, 537,  
D9/539, 545, 549, 558, 715, 719,  
D9/763-764, 772, 776-780; D26/11, 22  
CPC ..... B65D 1/00; B65D 1/02; B65D 1/0223;  
B65D 23/00; B65D 81/00; B65D  
2501/00; B65D 2501/0009  
See application file for complete search history.

- 3,409,184 A \* 11/1968 Stengle, Jr. .... B05B 11/3035  
222/207
- D270,238 S \* 8/1983 Vilval ..... D9/447
- D281,399 S 11/1985 Fortuna
- D292,377 S 10/1987 Pozzo di Borgo
- D344,237 S 2/1994 Daucourt
- 5,667,107 A \* 9/1997 Lindsey ..... B65D 23/003  
222/173
- D387,994 S 12/1997 Heinz
- D496,866 S 10/2004 Cornell
- D557,606 S \* 12/2007 Rashid ..... D9/500
- D619,460 S 7/2010 Beckerman
- D646,572 S \* 10/2011 Koeleman ..... D9/500
- 8,087,547 B1 \* 1/2012 Lindsey ..... B65D 35/56  
222/1
- D653,547 S 2/2012 Canuto
- D674,238 S \* 1/2013 Zimmer ..... B65D 21/0222  
D7/396.2
- D697,410 S 1/2014 Glasman  
(Continued)

*Primary Examiner* — Dana Meyrow

(57) **CLAIM**

I claim the ornamental design for the container, as shown and described.

**DESCRIPTION**

FIG. 1 is an upper perspective view of a container in accordance with my new claimed design.

FIG. 2 is a front elevational view of the container in FIG. 1, the left, right, and rear elevational views being substantially the same as the front elevational view.

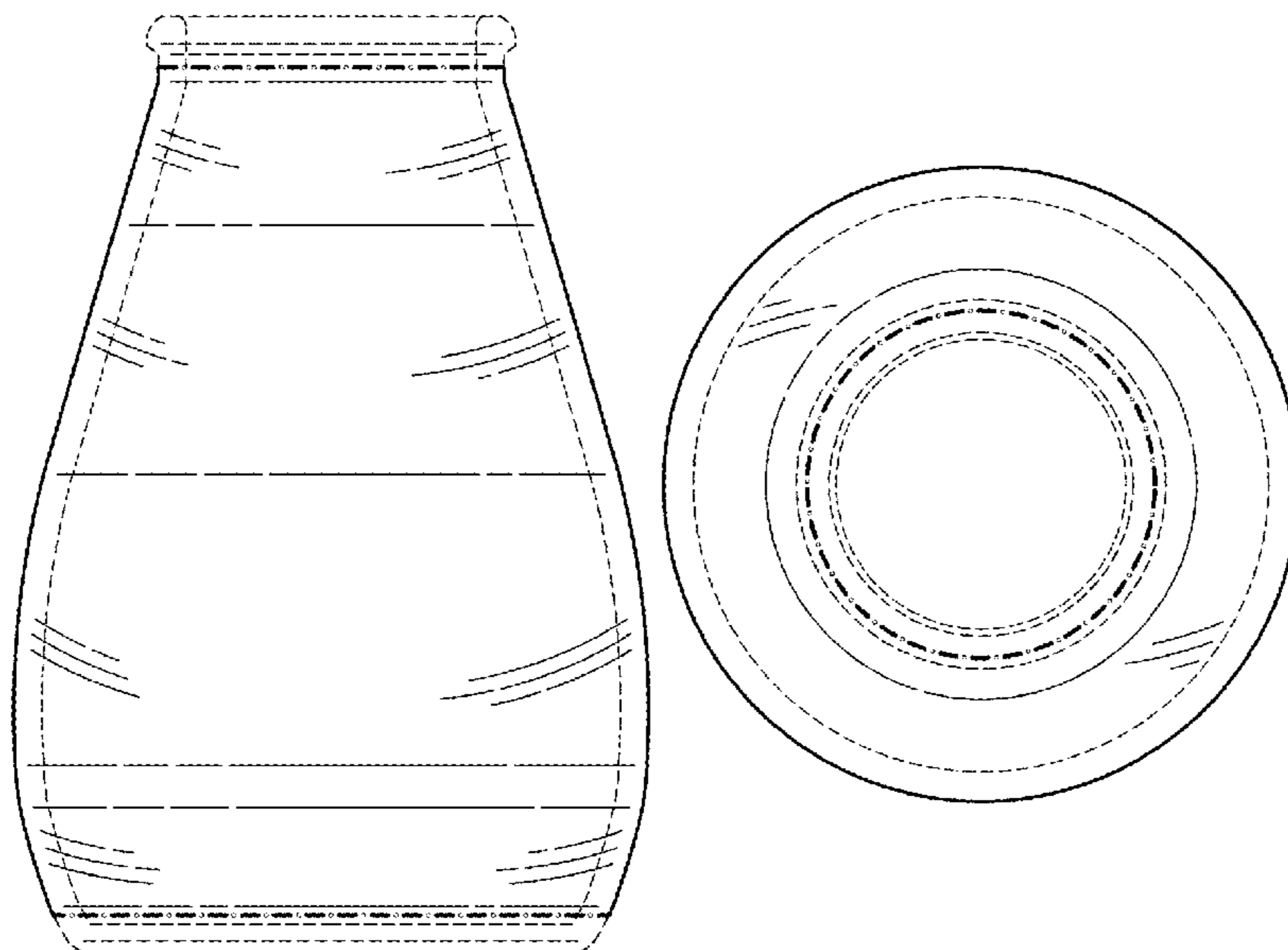
FIG. 3 is a top view of the container in FIG. 1; and, FIG. 4 is a bottom view of the container in FIG. 1.

Dash-dash broken lines shown in the drawings illustrate portions of the container that form no part of the claimed design.

Dash-dot broken lines shown in the drawings represent boundaries of the claimed design and form no part of the claimed design.

**1 Claim, 1 Drawing Sheet**

- (56) **References Cited**  
U.S. PATENT DOCUMENTS
- 730,510 A \* 6/1903 Beach ..... B65D 1/0246  
215/43
- D117,843 S \* 11/1939 Smith ..... D9/502
- 2,717,727 A \* 9/1955 Robb ..... B65D 47/261  
222/512
- D184,434 S 2/1959 Gouin
- D187,561 S 3/1960 DuPree
- D196,534 S 10/1963 Vanderhyde
- 3,105,619 A \* 10/1963 Rohrmuller ..... G01F 11/084  
222/209
- 3,143,250 A \* 8/1964 Pengue ..... B65D 83/38  
222/182



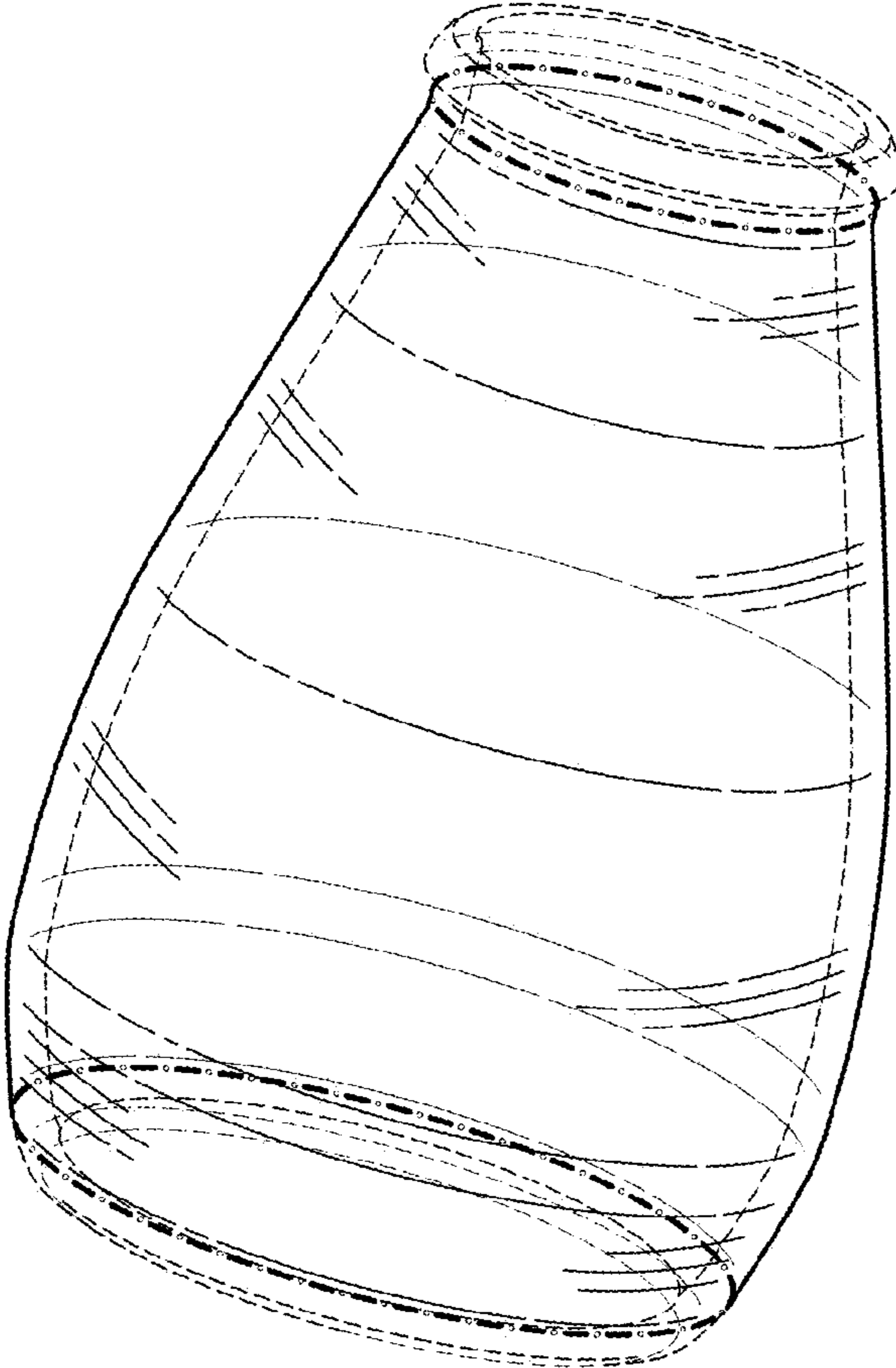
(56)

**References Cited**

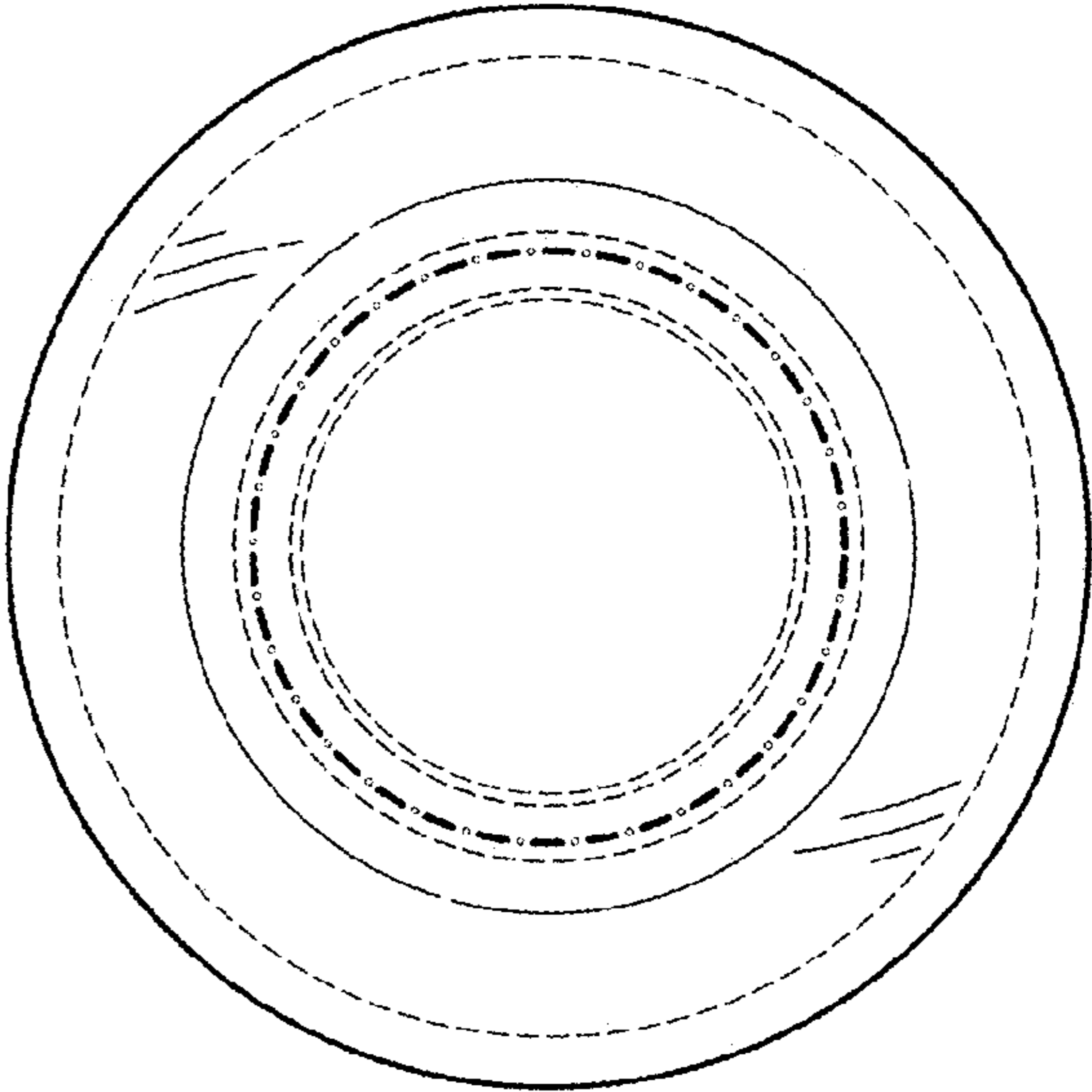
U.S. PATENT DOCUMENTS

D719,448 S	*	12/2014	Pires .....	D9/504
D721,966 S	*	2/2015	Mathiez .....	D9/504
D731,315 S	*	6/2015	Pires .....	D9/503
D739,735 S		9/2015	Darling et al.	
D754,544 S	*	4/2016	Darling .....	D9/503
D756,789 S	*	5/2016	Darling .....	D9/503
D757,561 S		5/2016	Yourist	
D758,865 S	*	6/2016	Pires .....	D9/503
D786,079 S		5/2017	Ibanez et al.	
D786,080 S		5/2017	Ibanez et al.	
D786,684 S		5/2017	McGreevy et al.	
D791,607 S		7/2017	Hawry et al.	
D801,182 S		10/2017	Schmidt	
D818,826 S	*	5/2018	Jovanovic .....	D9/500
D832,711 S		11/2018	McGreevy et al.	
D833,874 S		11/2018	Harrison et al.	
D833,875 S	*	11/2018	Harrison .....	D9/503
D850,916 S	*	6/2019	Kuma .....	D9/504
D859,156 S	*	9/2019	Handley .....	D9/500

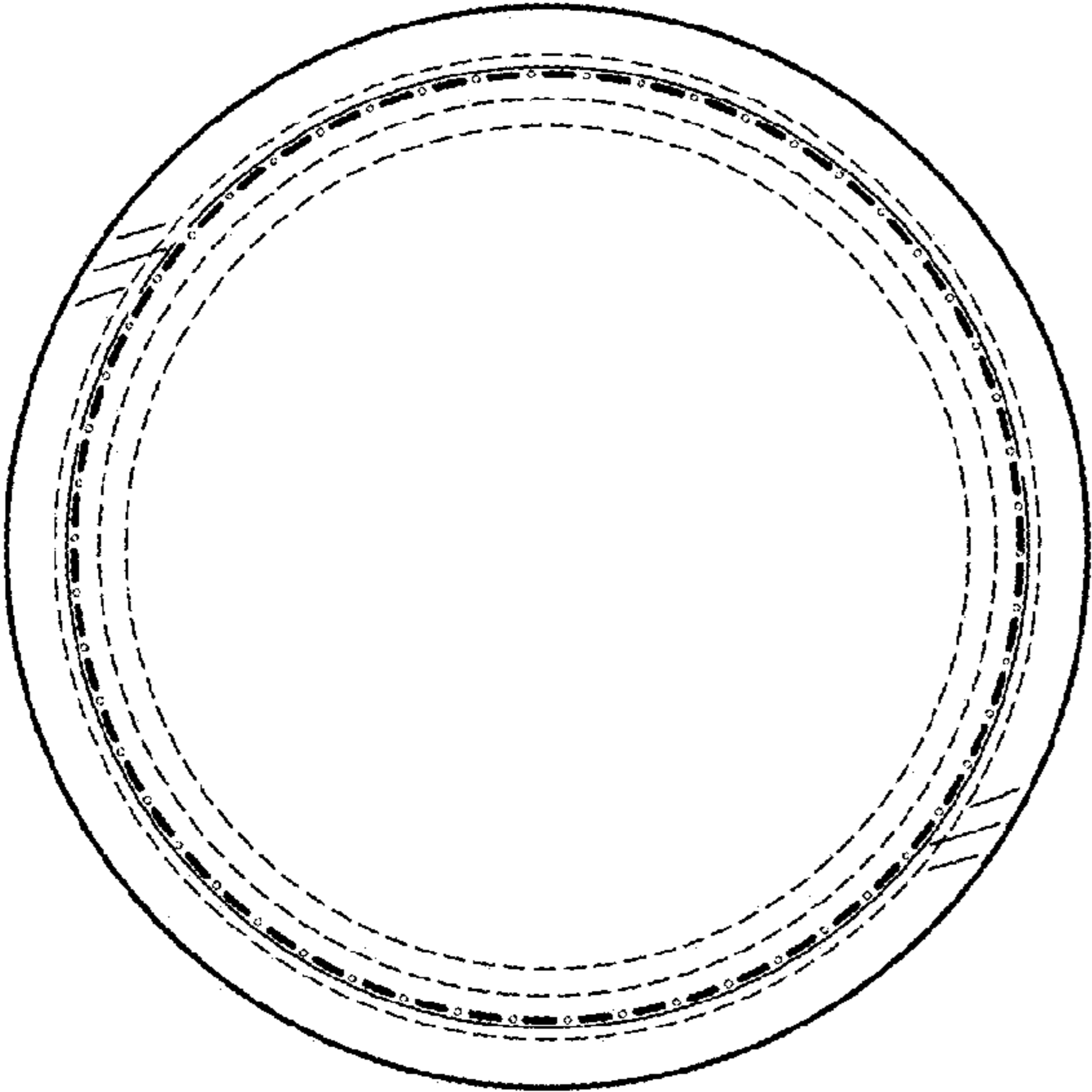
\* cited by examiner



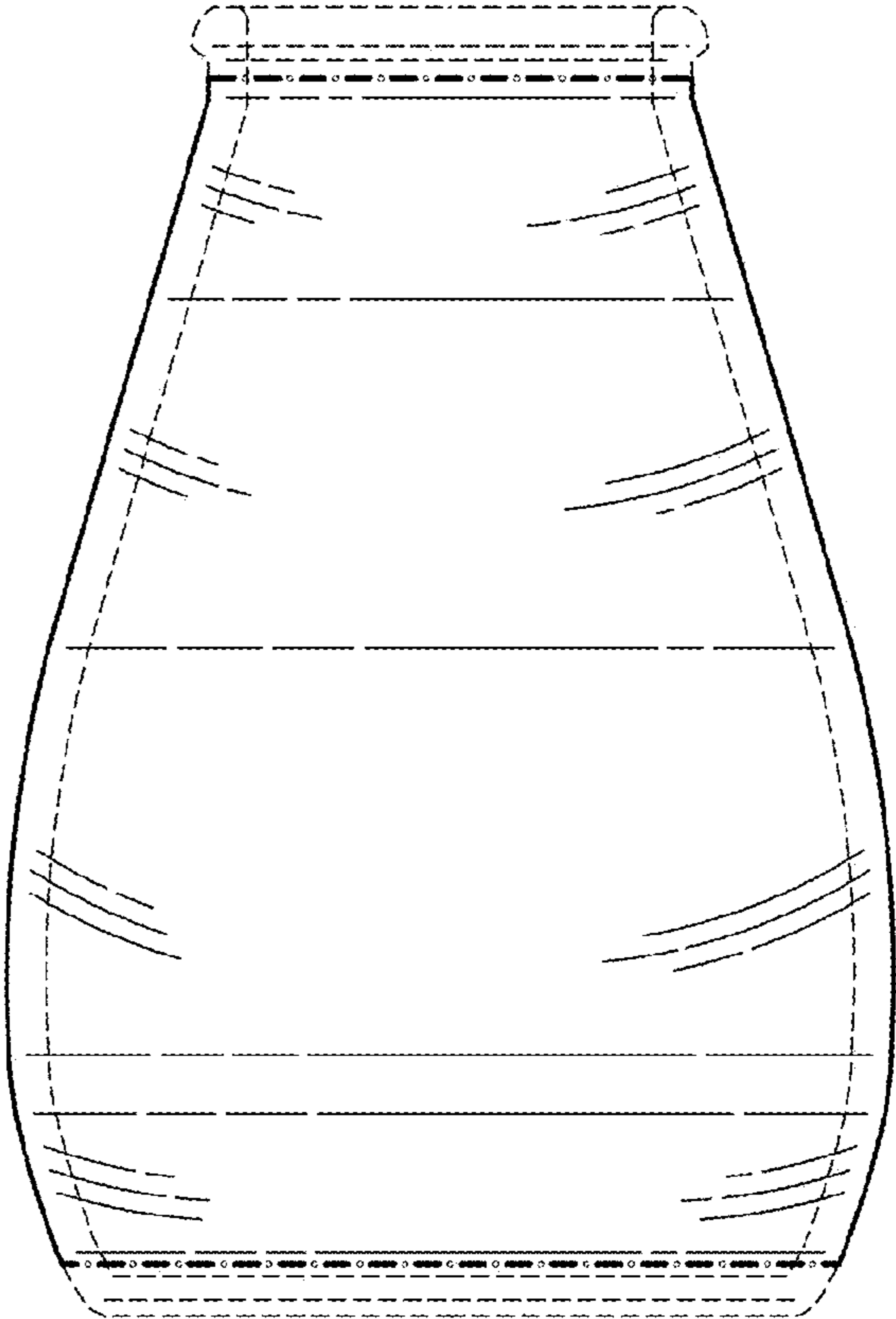
**FIG. 1**



**FIG. 3**



**FIG. 4**



**FIG. 2**