



US00D889967S

(12) **United States Design Patent** (10) **Patent No.:** **US D889,967 S**  
**Glass et al.** (45) **Date of Patent:** **\*\* Jul. 14, 2020**

(54) **GIFT BOX INSERT**

(71) Applicant: **e2interactive, Inc.**, Atlanta, GA (US)

(72) Inventors: **Nicole E. Glass**, Kansas City, MO (US); **Kathleen Hampton**, Kansas City, MO (US)

(73) Assignee: **e2interactive, Inc.**, Atlanta, GA (US)

(\*\*) Term: **15 Years**

(21) Appl. No.: **29/667,716**

(22) Filed: **Oct. 24, 2018**

(51) **LOC (12) Cl.** ..... **09-07**

(52) **U.S. Cl.**  
 USPC ..... **D9/456**

(58) **Field of Classification Search**  
 USPC ..... D9/414-423, 424-429, 430-433, 434, D9/456, 457, 711, 713, 721-722, 737; D3/272-274, 290, 304, 305, 315; D20/10, 22, 27, 40, 42  
 CPC ... B65D 5/00; B65D 5/02; B65D 5/18; B65D 5/20

See application file for complete search history.

8,523,058 B2 9/2013 Borkowski et al.  
 D795,492 S \* 8/2017 Kim ..... D26/120  
 D806,532 S \* 1/2018 Richmond ..... D9/420  
 D819,441 S \* 6/2018 Doster ..... D9/432  
 D849,531 S \* 5/2019 Hockin ..... D9/432

**OTHER PUBLICATIONS**

Custom Gift card Boxes. [online] Published on Jul. 7, 2019. Retrieved Sep. 30, 2019 from URL: <https://imhpackaging.com/product/gift-card-boxes/>.\*

Magnetic Gift Card Boxes. [online] Published on Mar. 23, 2018. Retrieved Sep. 30, 2019 from URL: [https://www.gogopak.com/Magnetic\\_Gift\\_Card\\_Boxes\\_Black\\_p/23130239.htm](https://www.gogopak.com/Magnetic_Gift_Card_Boxes_Black_p/23130239.htm).\*

\* cited by examiner

*Primary Examiner* — Vy N Koenig  
 (74) *Attorney, Agent, or Firm* — Landmark Intellectual Property Law, PLLC

(57) **CLAIM**

The ornamental design for a gift box insert, as shown and described.

**DESCRIPTION**

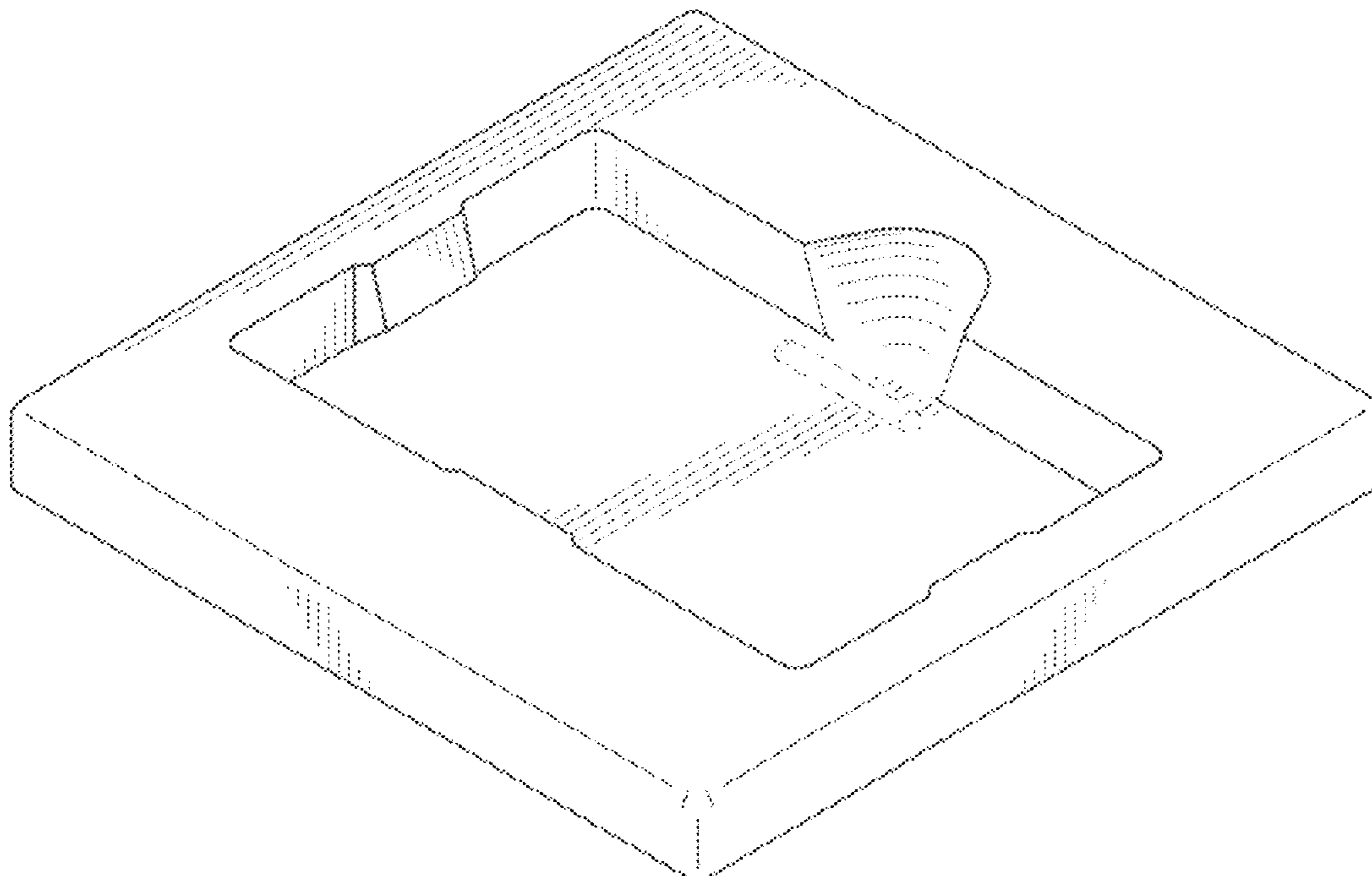
FIG. 1 is a back perspective view of a gift box insert embodying the design;  
 FIG. 2 is a front perspective view thereof;  
 FIG. 3 is a top plan view thereof;  
 FIG. 4 is a left side view thereof; and,  
 FIG. 5 is a right side view thereof.  
 The features shown in broken lines depict environmental structure only and form no part of the claimed design.

**1 Claim, 3 Drawing Sheets**

(56) **References Cited**

U.S. PATENT DOCUMENTS

1,937,222	A	11/1933	Gallahan	
5,673,796	A	10/1997	Tulloch	
D398,527	S *	9/1998	Maceachern	D9/420
6,398,026	B1 *	6/2002	Parsons	B65D 77/0413 206/349
D511,093	S *	11/2005	Keeton	D9/433
D572,588	S *	7/2008	Osborn	D9/456
D663,205	S *	7/2012	Nelson	D9/456



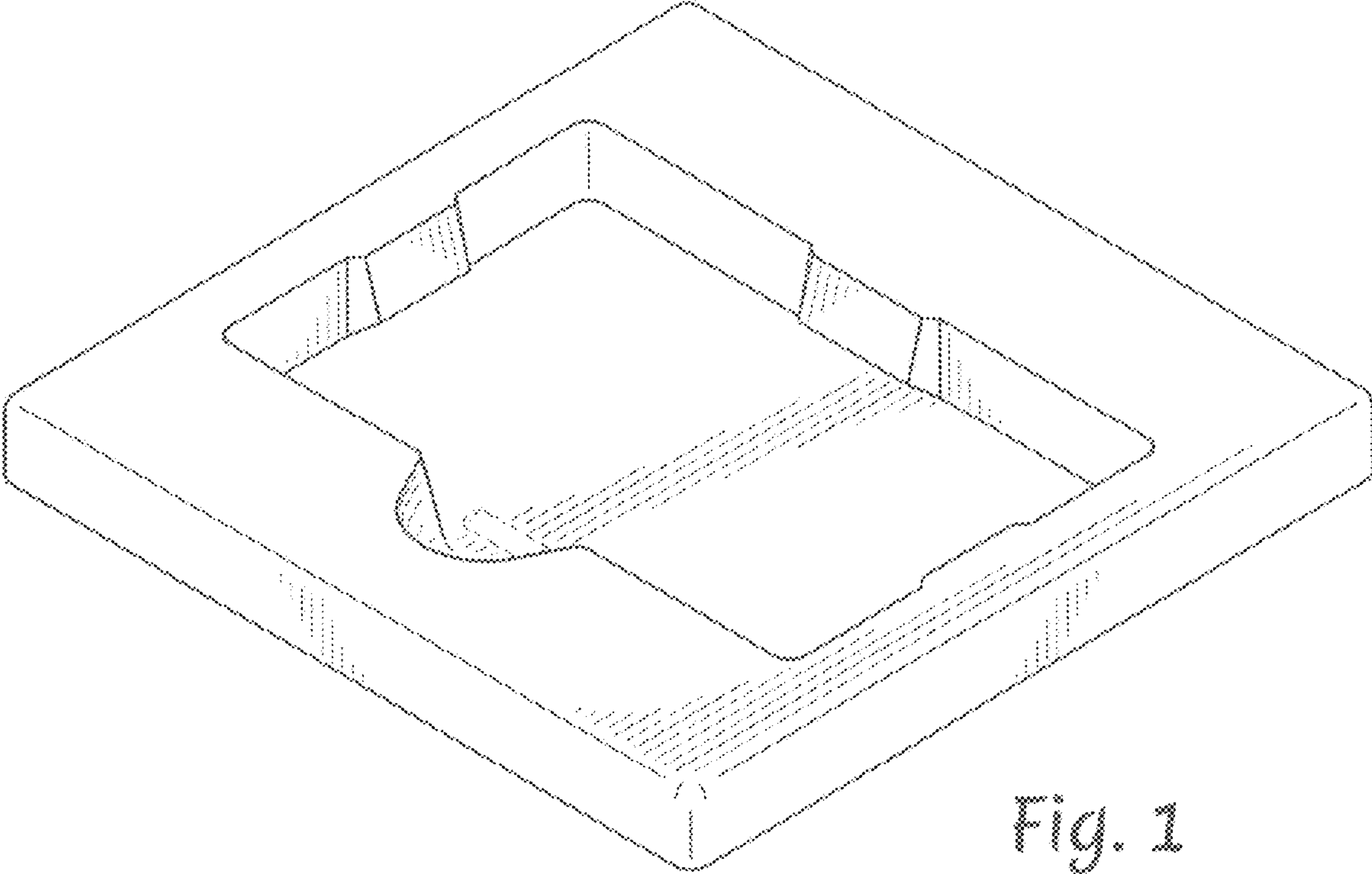


Fig. 1

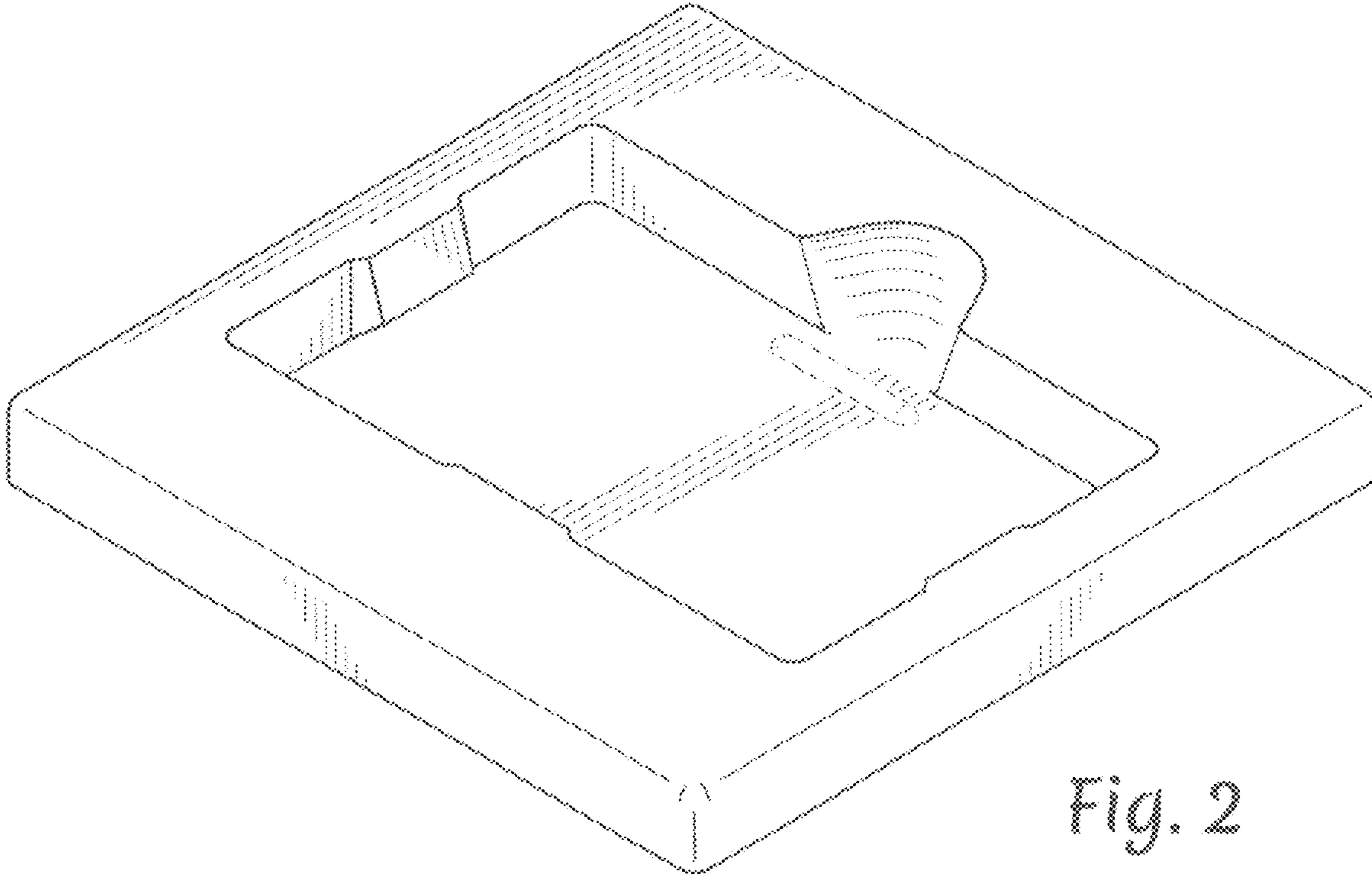


Fig. 2

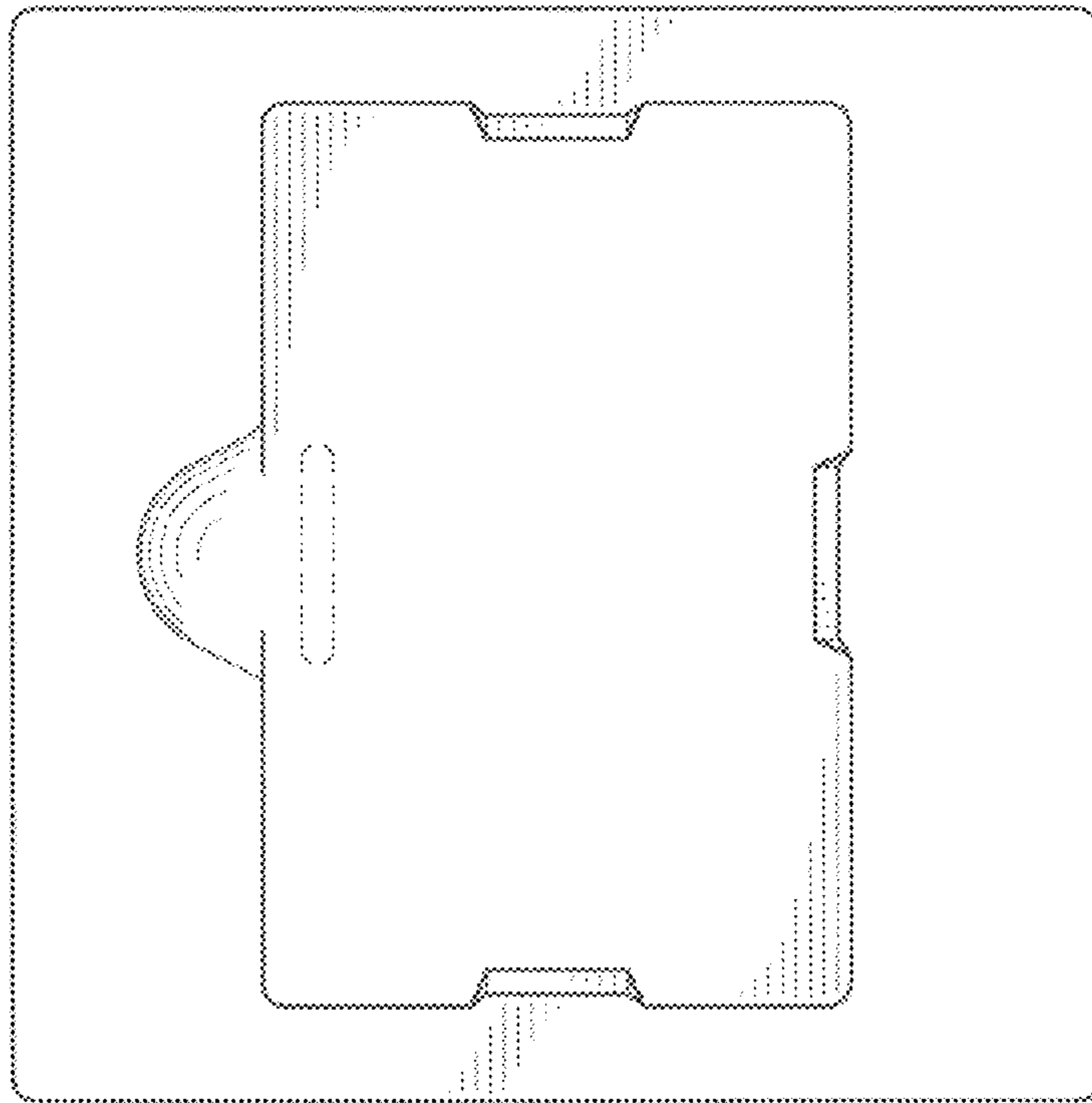
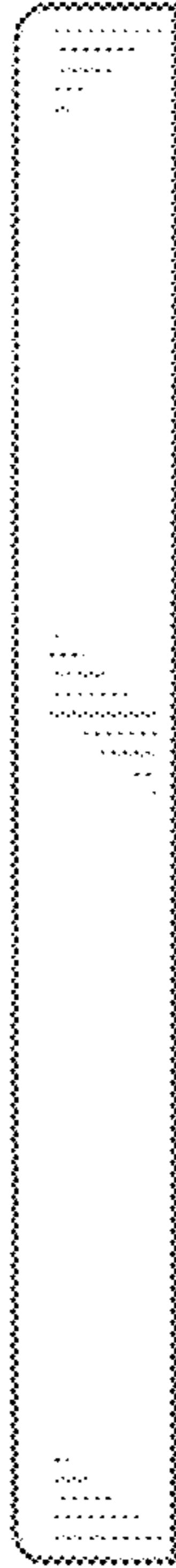


Fig. 3



*Fig. 4*



*Fig. 5*