



US00D889964S

(12) **United States Design Patent** (10) **Patent No.:** **US D889,964 S**  
**Thai** (45) **Date of Patent:** **\*\* Jul. 14, 2020**

(54) **TOPPER FOR BUBBLE SOLUTION CONTAINER**

(71) Applicant: **Placo Bubbles Limited**, TST East, Kowloon (HK)

(72) Inventor: **Douglas Thai**, Kowloon (HK)

(73) Assignee: **Placo Bubbles Limited**, Hong Kong (HK)

(\*\*) Term: **15 Years**

(21) Appl. No.: **29/690,759**

(22) Filed: **May 10, 2019**

(51) **LOC (12) Cl.** ..... **09-07**

(52) **U.S. Cl.**  
USPC ..... **D9/451; D21/597**

(58) **Field of Classification Search**  
USPC ..... D9/600, 606, 434-454; 206/457, 494, 206/459.5, 527, 540; 229/116.1; 215/381-384, 400; D7/514-520, 539, D7/544, 571, 594, 599, 604, 613, 619.2, D7/623, 625, 628-630, 391-392.1, 396.2; D3/270-271.8; D21/401, 597, 599  
CPC ..... B65D 67/00; B65D 81/36; B65D 81/60; B65D 81/368; B65D 37/00; B65D 5/42; B65D 5/4208; B65D 77/00; A63H 33/10; A63H 33/16

See application file for complete search history.

(56) **References Cited**

**U.S. PATENT DOCUMENTS**

D105,566 S \* 8/1937 Blow ..... D9/606  
D147,629 S \* 10/1947 White ..... D21/599  
D262,083 S \* 12/1981 Adamo ..... D7/392.1

D349,372 S \* 8/1994 Bird ..... D9/451  
D403,239 S \* 12/1998 Ying ..... D3/271.2  
D449,989 S \* 11/2001 Harkness ..... D9/451  
D670,771 S \* 11/2012 Lo ..... D21/597  
D720,115 S \* 12/2014 Kawlath ..... D21/597  
D793,492 S \* 8/2017 Zanger ..... D21/597  
D807,965 S \* 1/2018 Lo ..... D21/597

\* cited by examiner

*Primary Examiner* — Sandra L Morris

(74) *Attorney, Agent, or Firm* — Raymond Sun

(57) **CLAIM**

The ornamental design for a topper for bubble solution container, as shown and described.

**DESCRIPTION**

FIG. 1 is a perspective view of the topper for bubble solution container.

FIG. 2 is a perspective view of the topper for bubble solution container of FIG. 1, with the broken lines shown herein forming no part of the claimed design and showing one environment in which the topper is used.

FIG. 3 is a perspective view of the topper for bubble solution container of FIG. 1, with the broken lines shown herein forming no part of the claimed design and showing another environment in which the topper is used.

FIG. 4 is a front view of the topper for bubble solution container of FIG. 1.

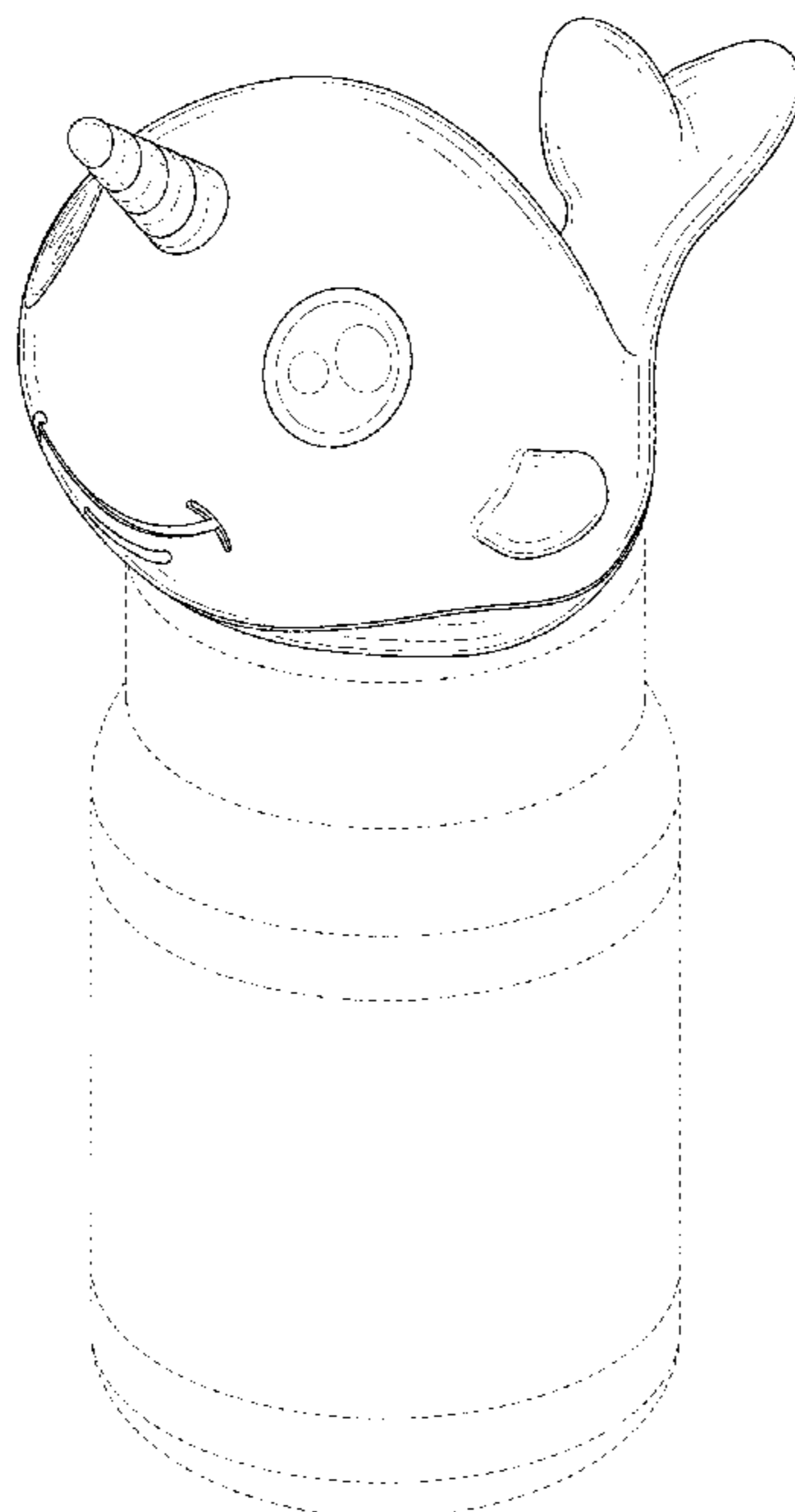
FIG. 5 is a rear view of the topper for bubble solution container of FIG. 1.

FIG. 6 is a left view of the topper for bubble solution container of FIG. 1.

FIG. 7 is a right view of the topper for bubble solution container of FIG. 1; and,

FIG. 8 is a top view of the topper for bubble solution container of FIG. 1.

**1 Claim, 8 Drawing Sheets**



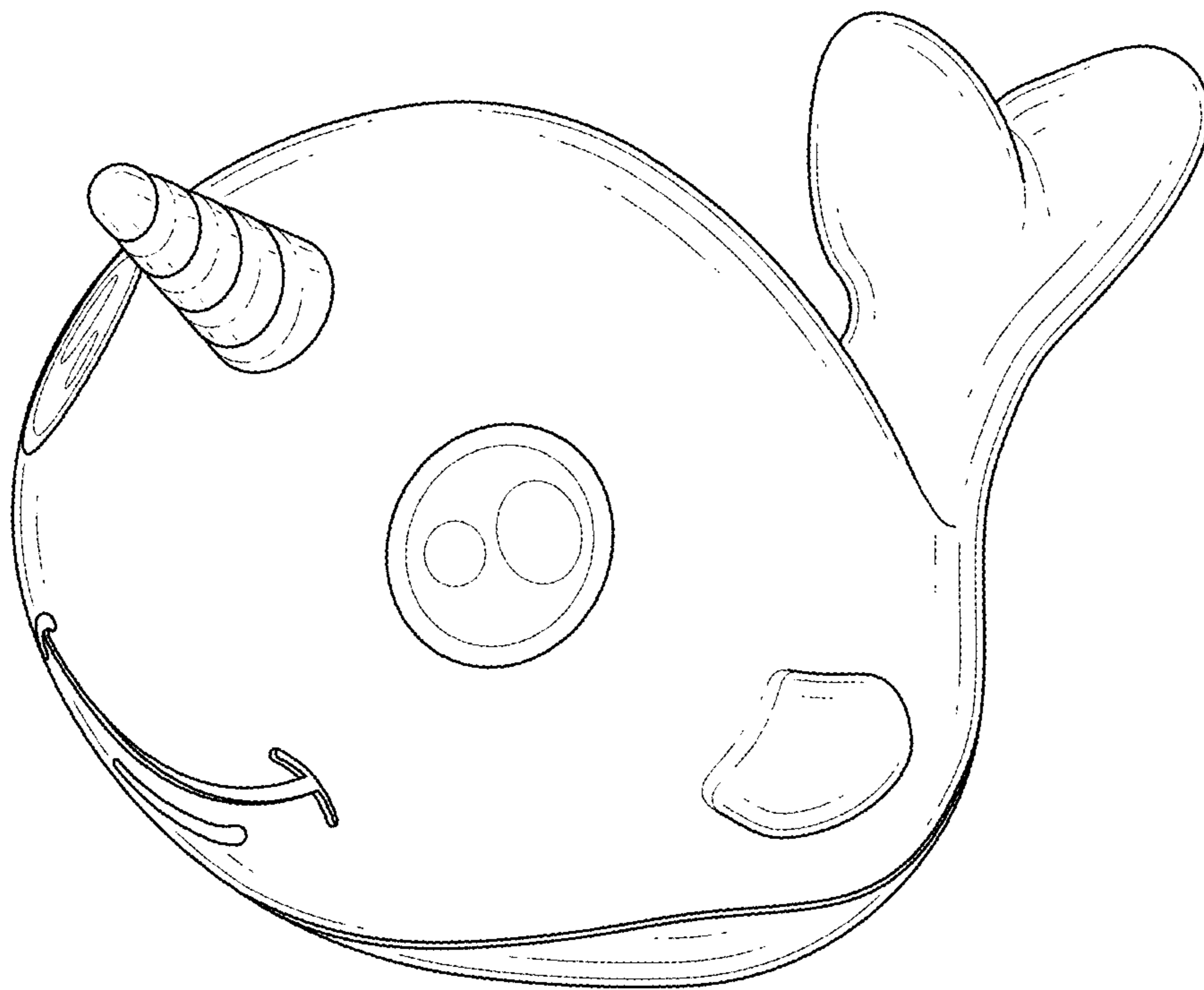


FIG. 1

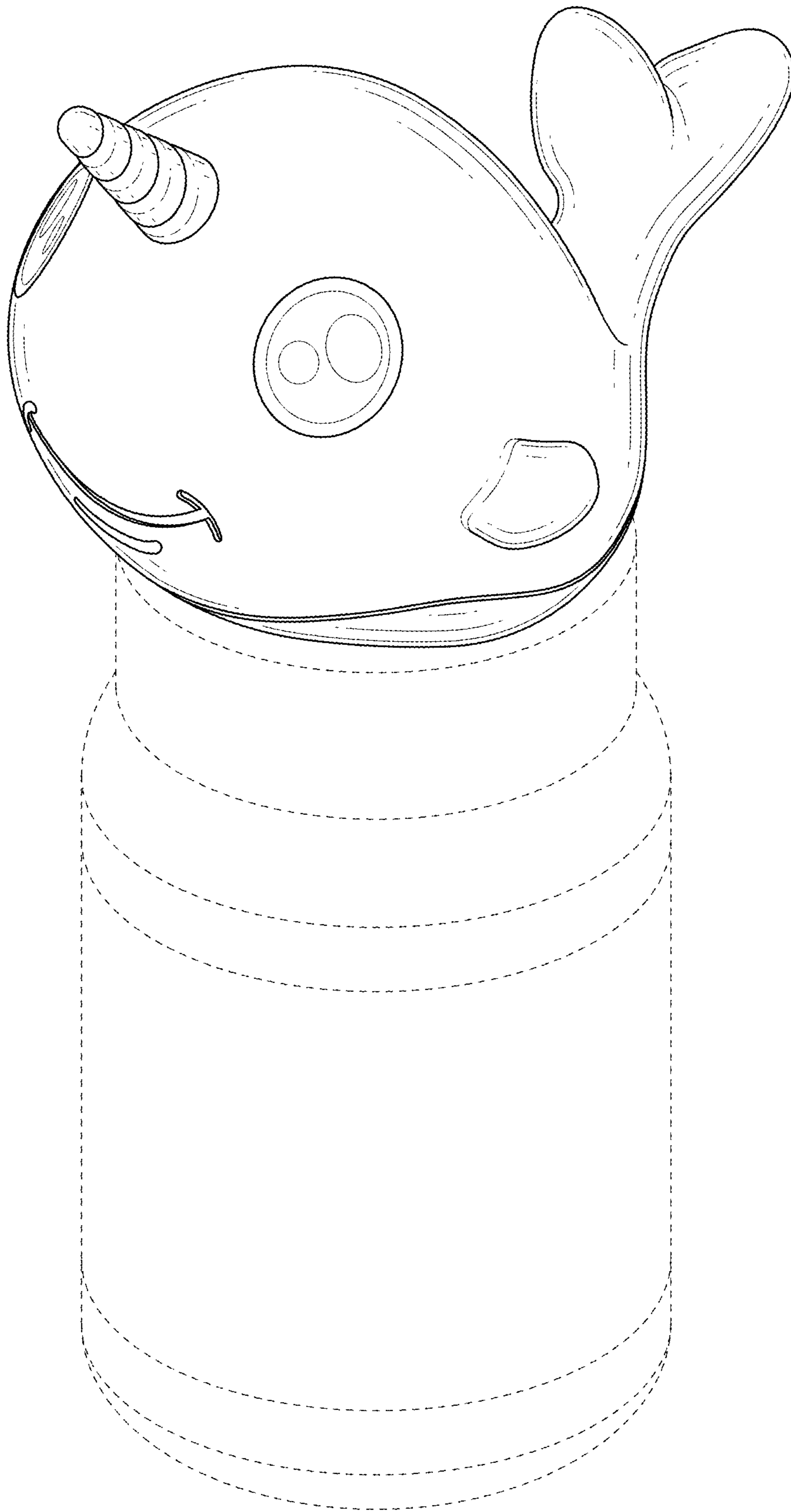


FIG.2

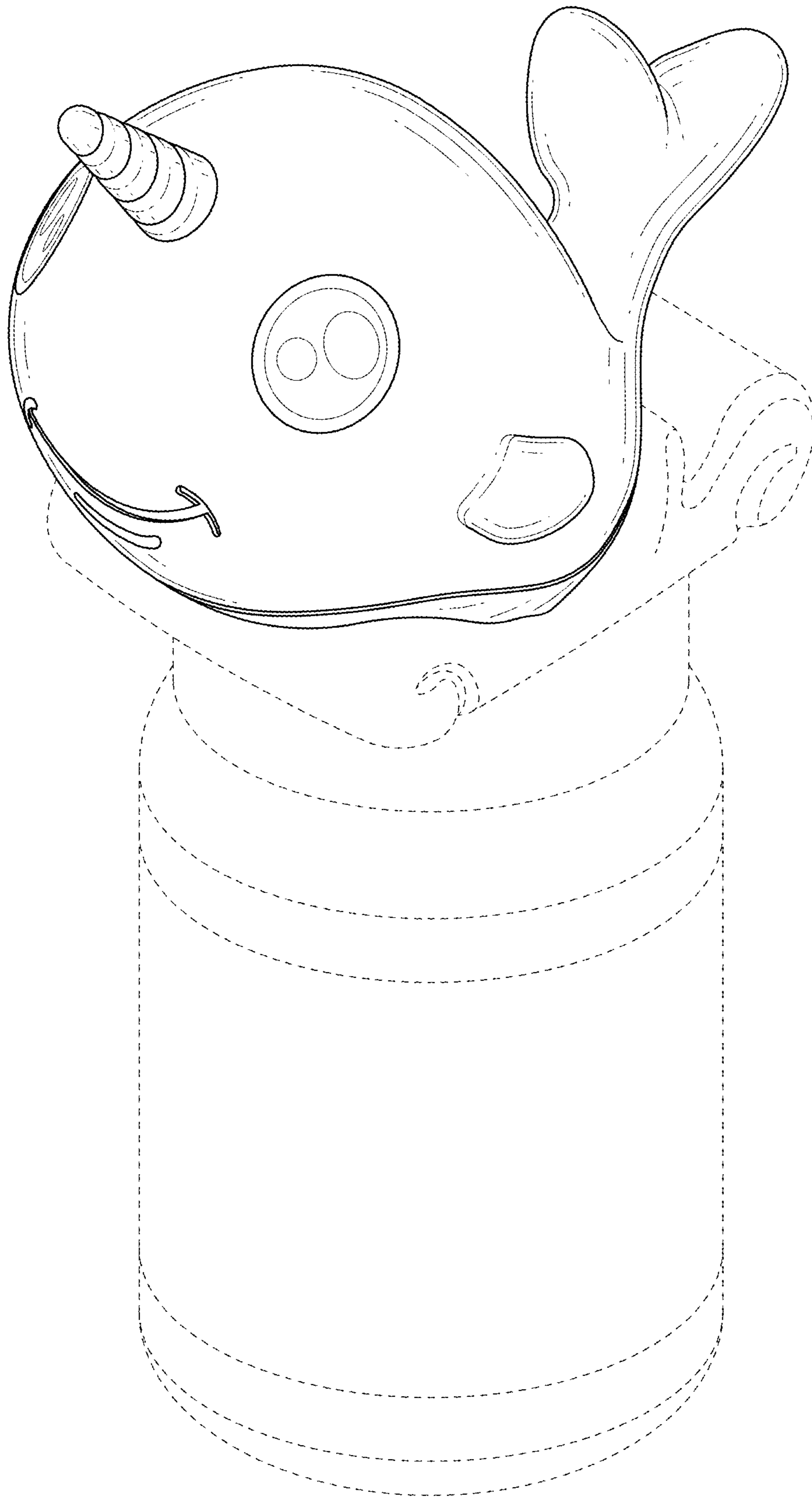


FIG. 3

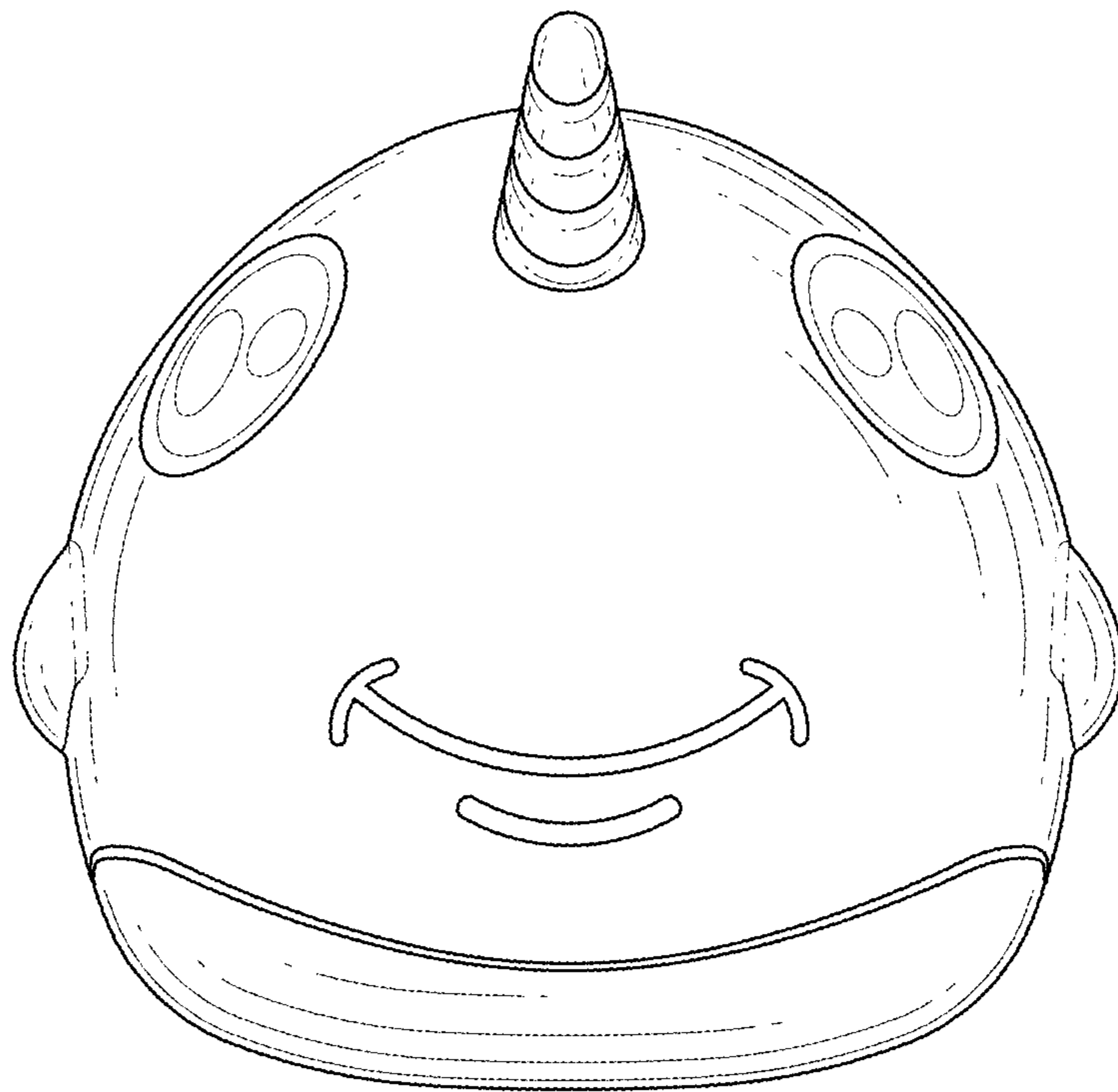


FIG.4

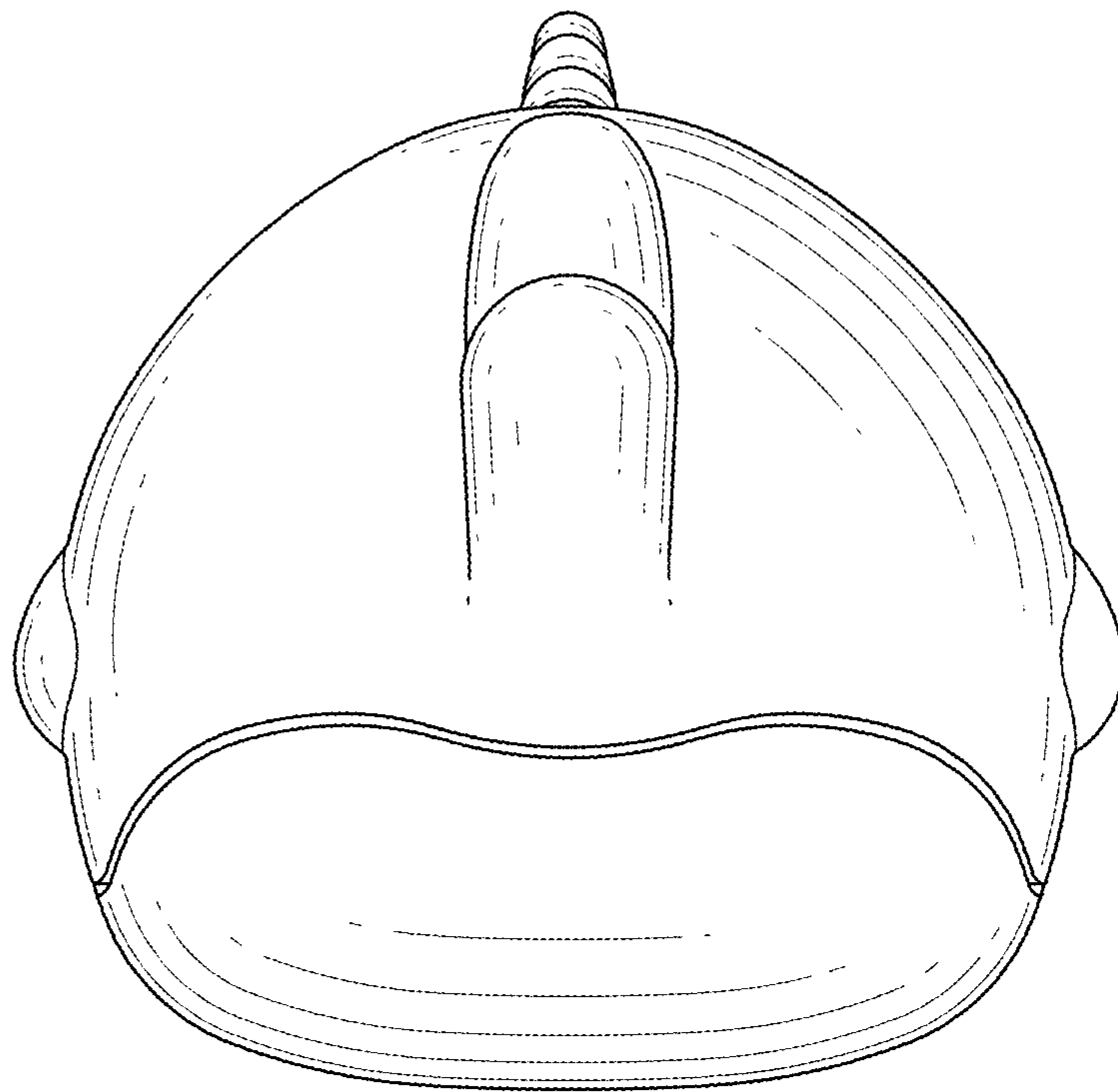


FIG. 5

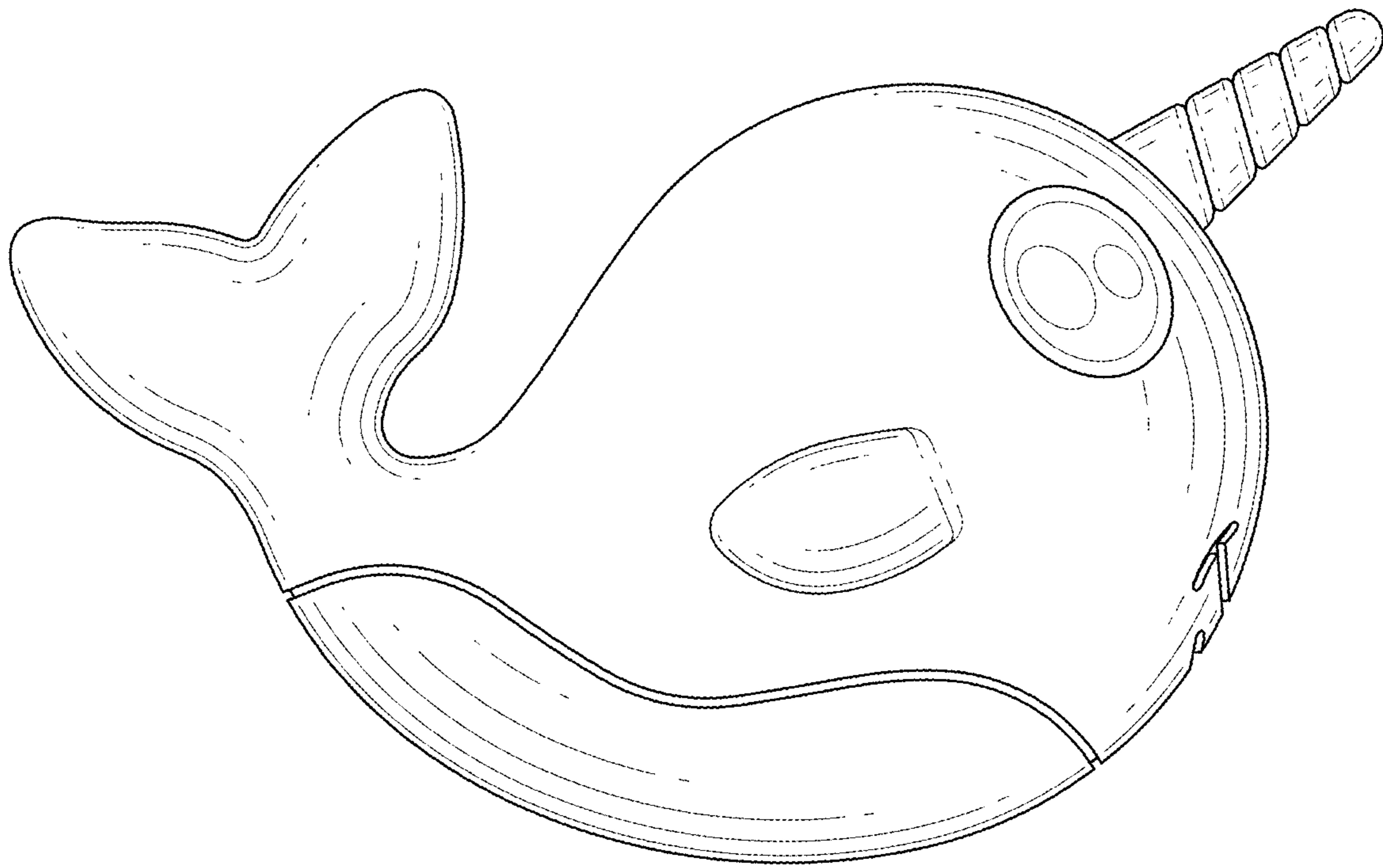


FIG.6

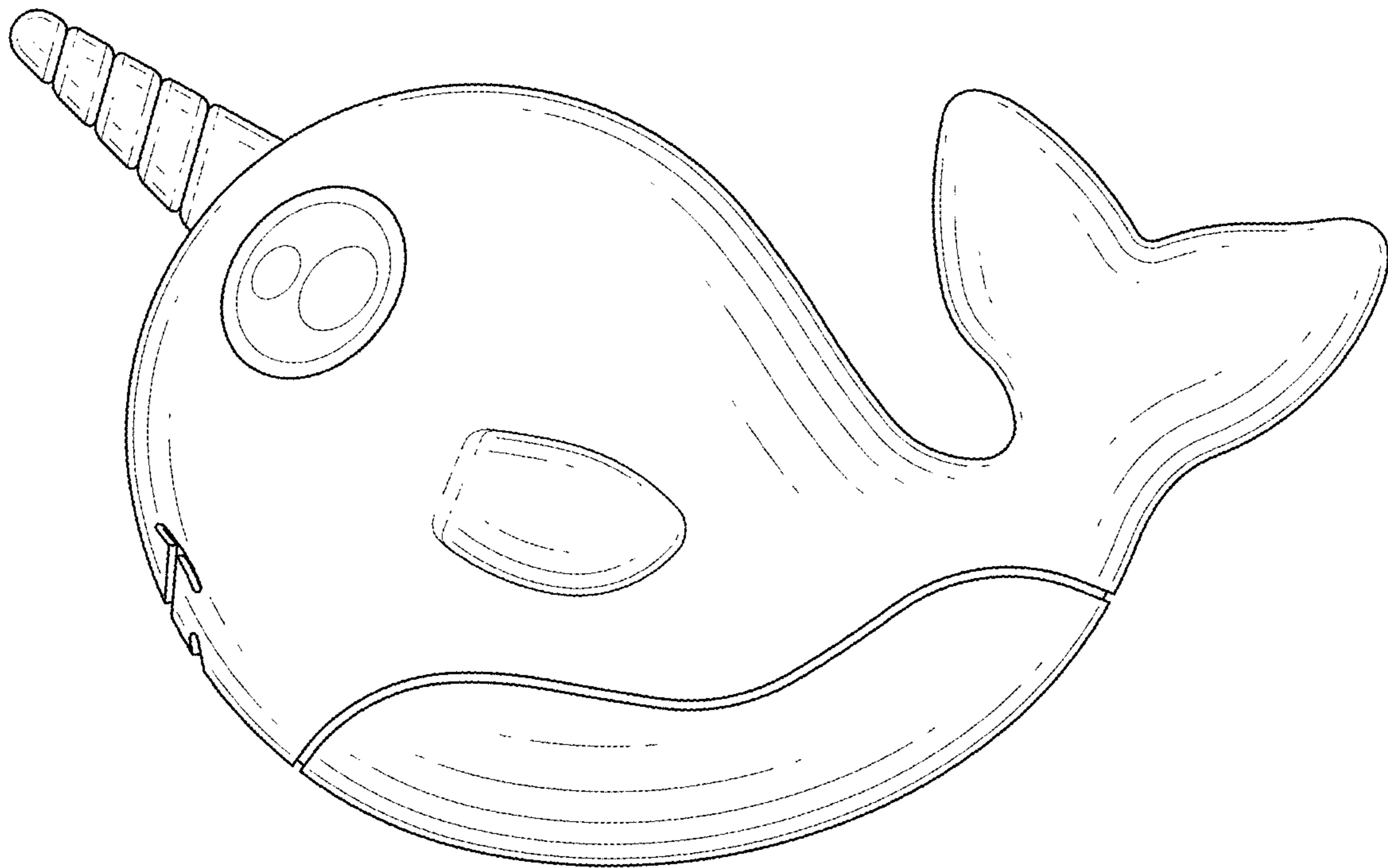


FIG. 7



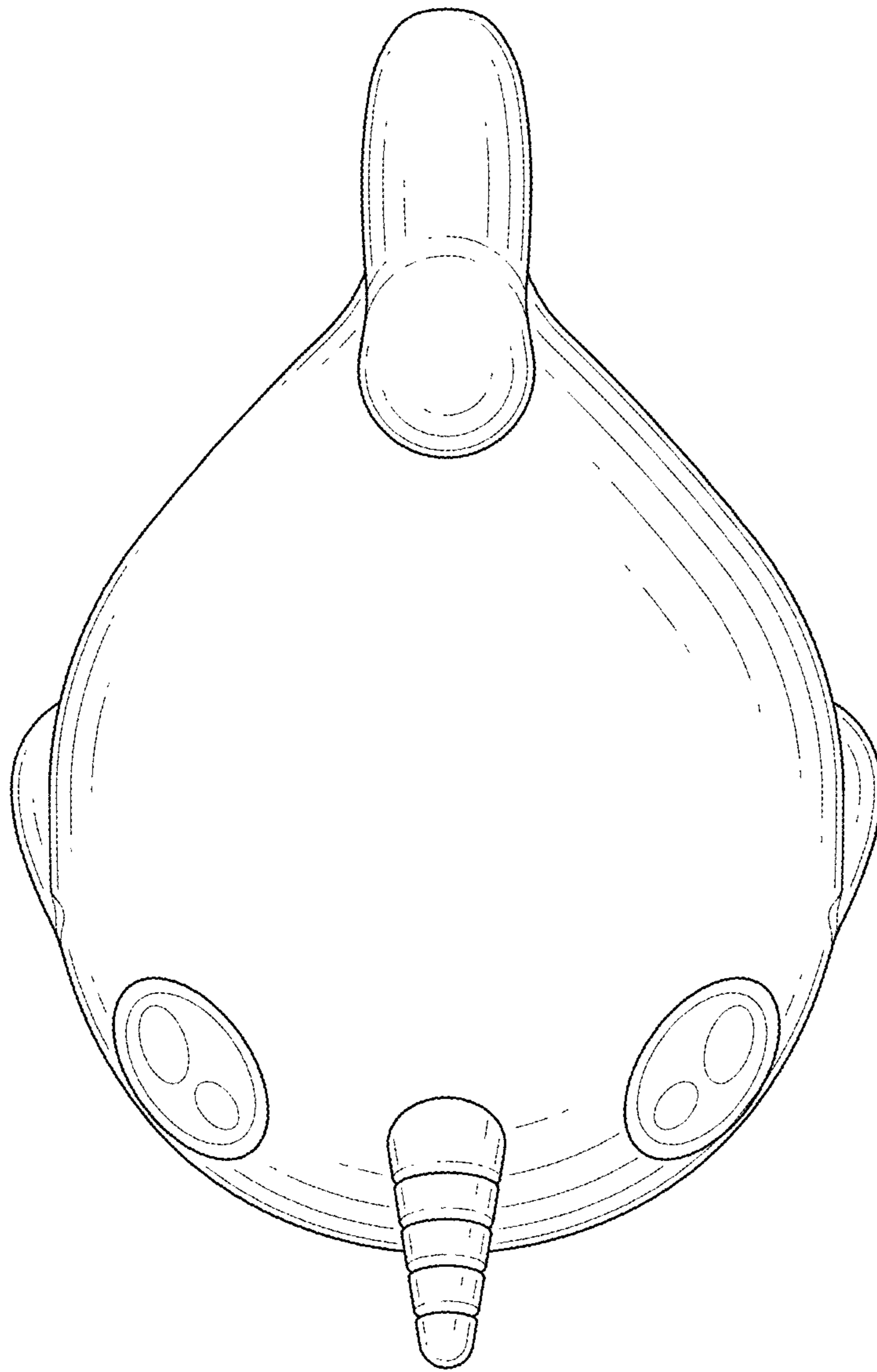


FIG. 8