



US00D889963S

(12) **United States Design Patent** (10) **Patent No.:** **US D889,963 S**
Nucci (45) **Date of Patent:** **** Jul. 14, 2020**

(54) **BOTTLE**

(56) **References Cited**

(71) Applicant: **Cotapaxi Custom Design and Manufacturing LLC**, Carlstadt, NJ (US)

(72) Inventor: **Marc Nucci**, Wayne, NJ (US)

(73) Assignee: **Cotapaxi Custom Design and Manufacturing LLC**, Carlstadt, NJ (US)

(**) Term: **15 Years**

(21) Appl. No.: **29/690,461**

(22) Filed: **May 8, 2019**

(51) **LOC (12) Cl.** **09-07**

(52) **U.S. Cl.**
USPC **D9/451**

(58) **Field of Classification Search**
USPC D9/600–601, 618, 632, 500–505, 516, D9/434–454; 206/457, 494, 459.5, 527, 206/540; 229/116.1; 215/381–384, 400; D7/514–520, 539, 544, 571, 594, 599, D7/604, 613, 619.2, 623, 625, 628–630, D7/391–392.1, 396.2; D3/270–271.8; D21/635; D29/105, 106
CPC B65D 67/00; B65D 81/36; B65D 81/60; B65D 81/368; B65D 37/00; B65D 5/42; B65D 5/4208; B65D 77/00; A63H 33/10; A63H 33/16

See application file for complete search history.

U.S. PATENT DOCUMENTS

D363,855 S *	11/1995	Van Blankenburg	D7/515
D370,836 S *	6/1996	Van Blankenburg	D29/106
D428,309 S *	7/2000	Schlotthauer	D7/625
D440,823 S *	4/2001	Steinfels	D7/515
D562,627 S *	2/2008	McDonald	D7/387
D586,621 S *	2/2009	Thompson	D7/515
D596,462 S *	7/2009	Serruya	D7/515
D684,742 S *	6/2013	Wolford	D34/4
D744,340 S *	12/2015	Tillman	D9/451
D802,846 S *	11/2017	Washburn	D29/106
D828,111 S *	9/2018	Diamond	D7/606

* cited by examiner

Primary Examiner — Sandra L Morris

(74) *Attorney, Agent, or Firm* — Steven E. Shapiro

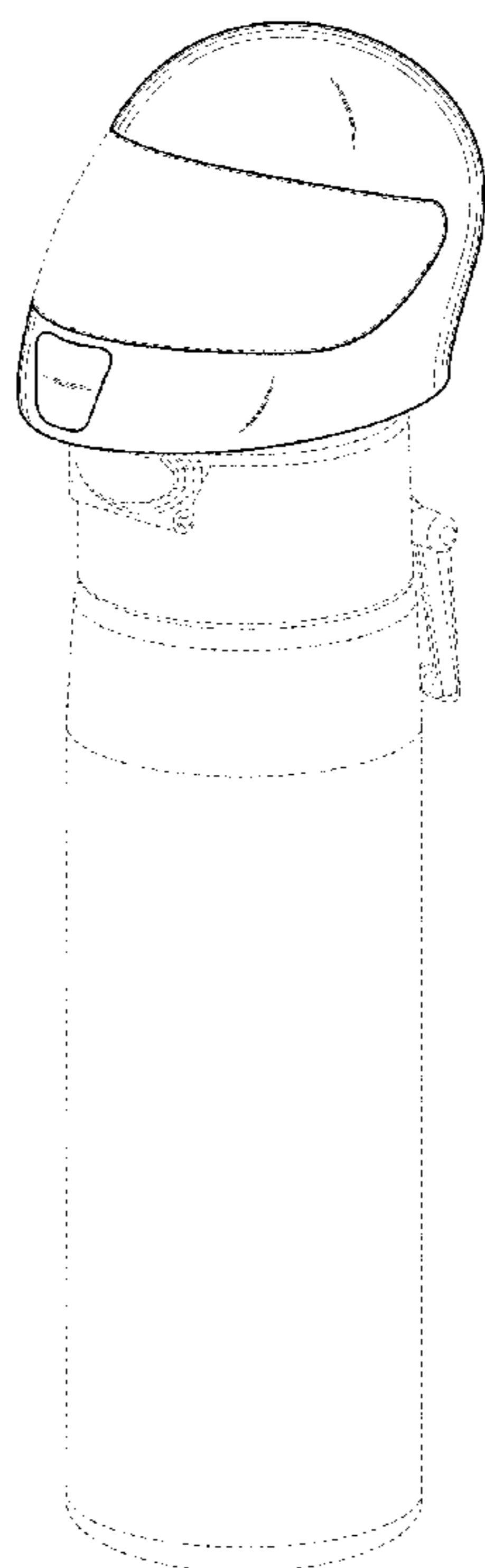
(57) **CLAIM**

The ornamental design for a bottle, as shown and described.

DESCRIPTION

FIG. 1 is a top, front, right perspective view of a bottle;
FIG. 2 is a top, rear, left perspective view of a bottle;
FIG. 3 is a front elevation view of the bottle;
FIG. 4 is a rear elevation view of the bottle;
FIG. 5 is a left side elevation view of the bottle;
FIG. 6 is a right side elevation view of the bottle;
FIG. 7 is a top plan view of the bottle;
FIG. 8 is a bottom plan view of the bottle; and,
FIG. 9 is a bottom, right, front perspective view of the bottle.
The broken lines, and the areas inside the broken lines, represent portions of the bottle that form no part of the claimed design.

1 Claim, 9 Drawing Sheets



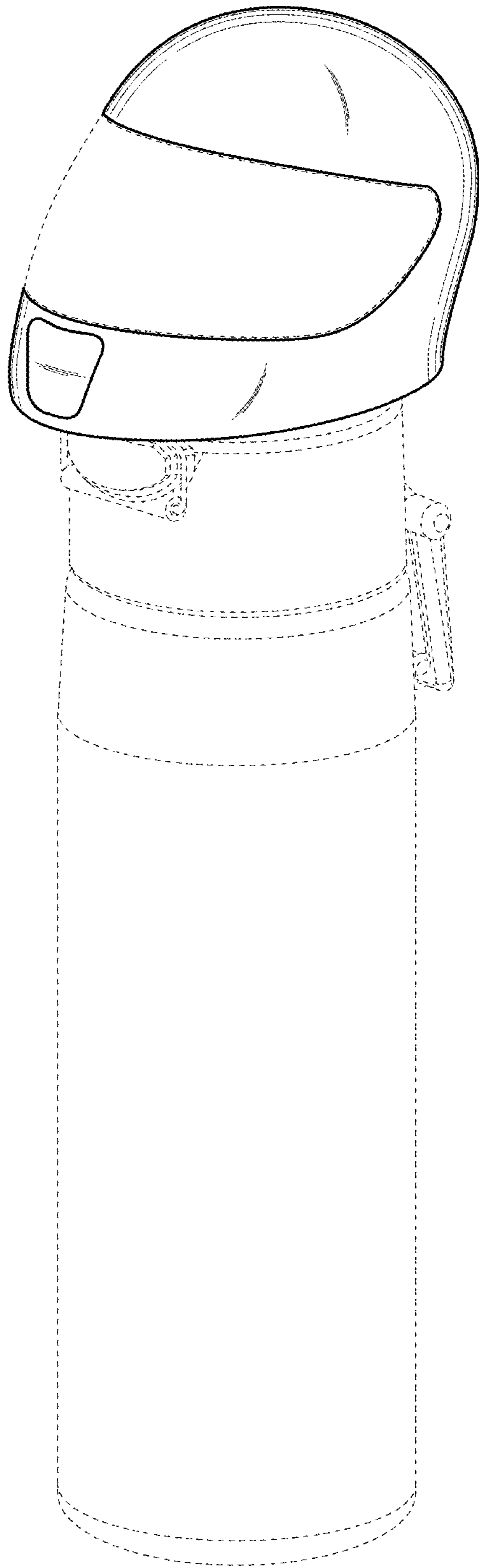


FIG. 1

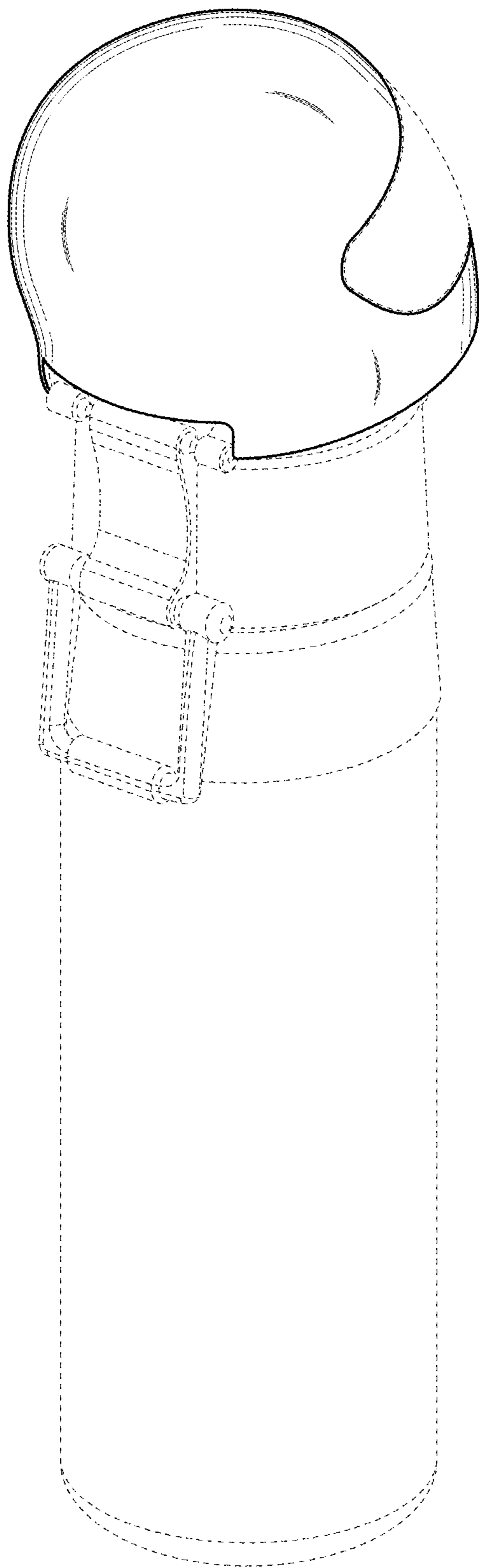


FIG. 2

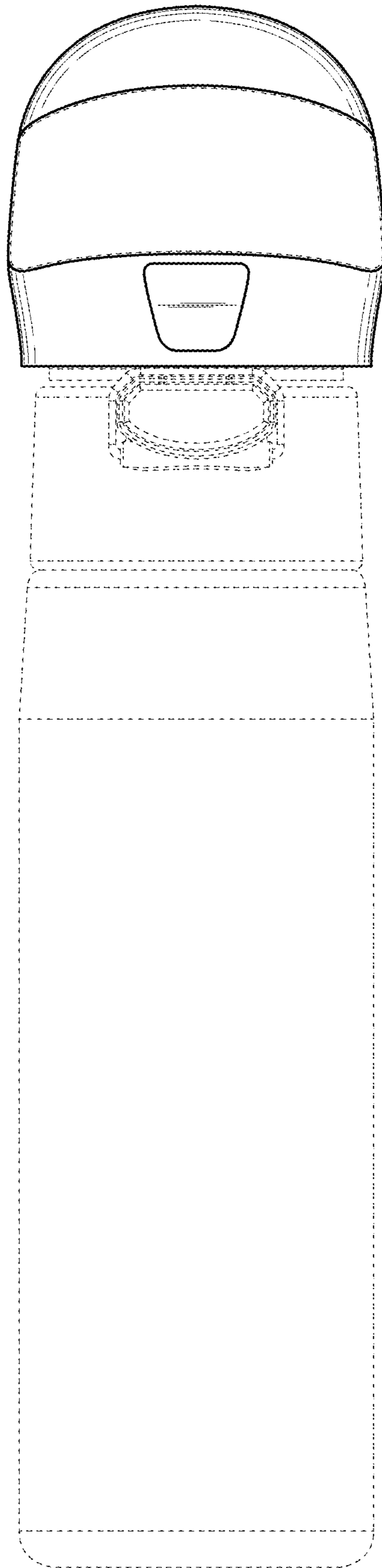


FIG. 3

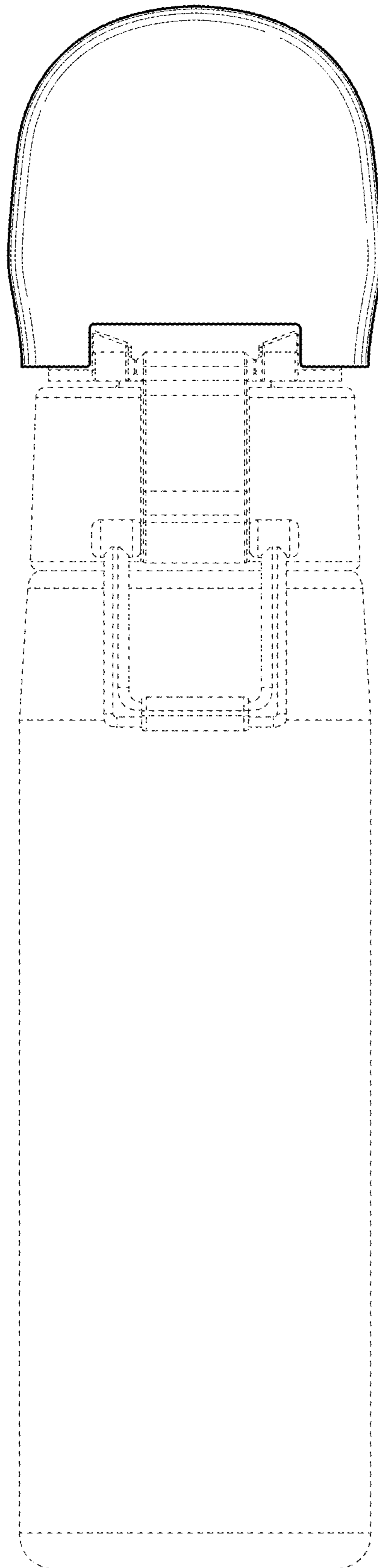


FIG. 4

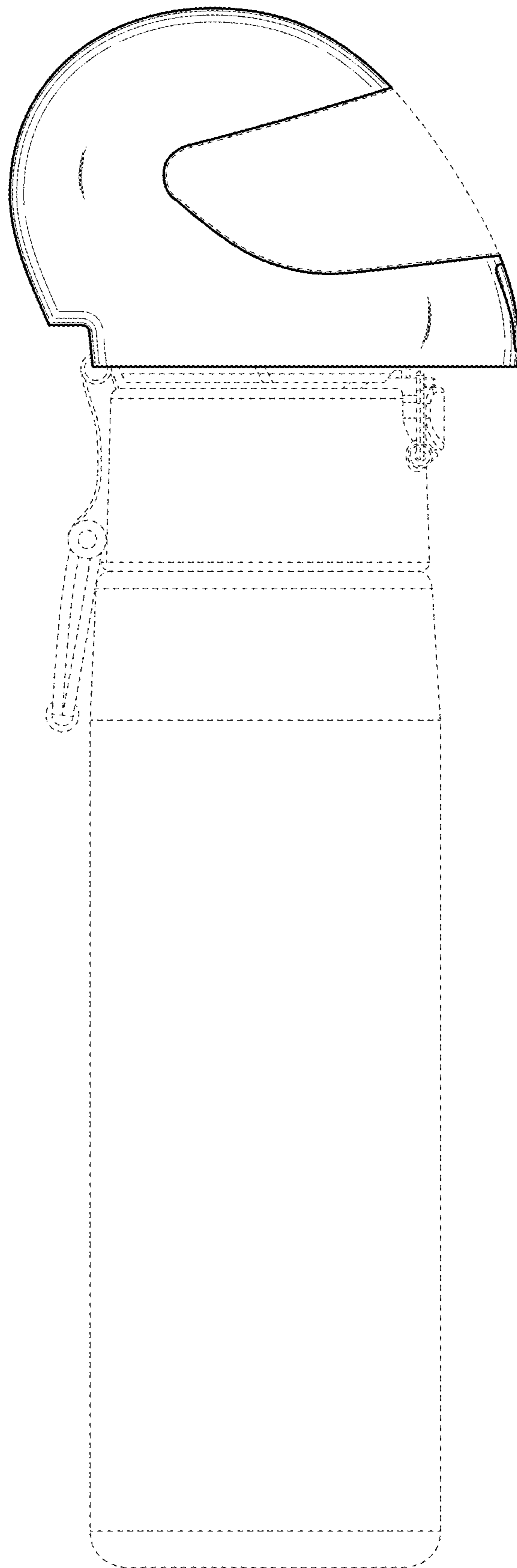


FIG. 5

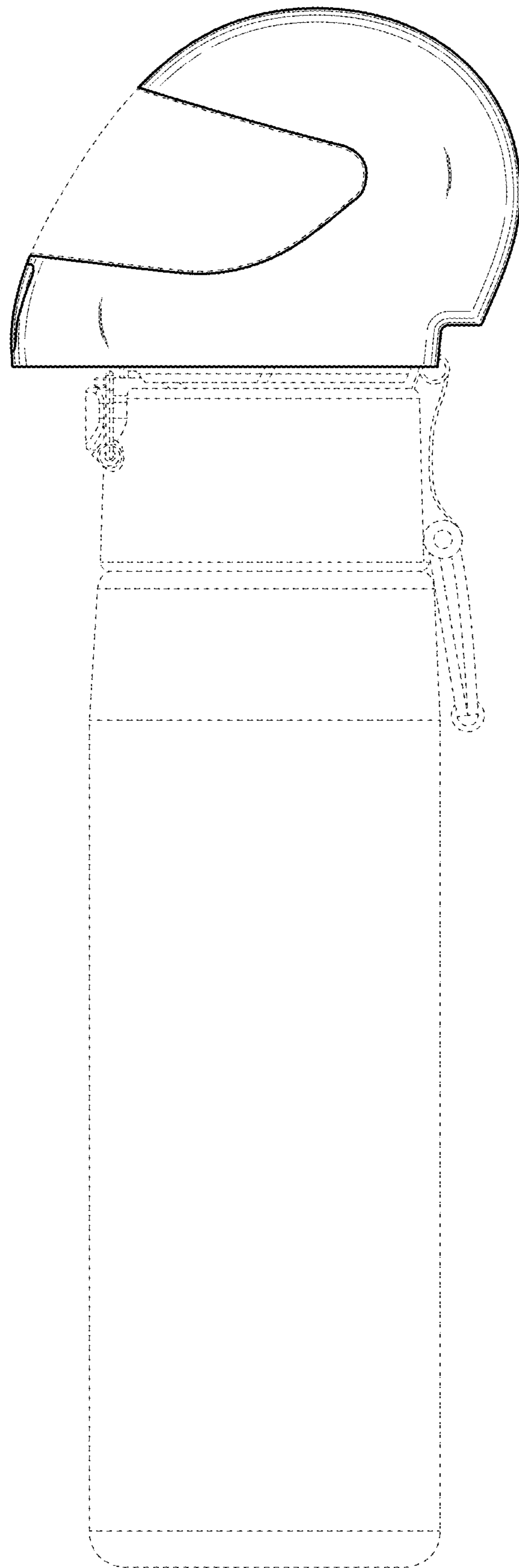


FIG. 6

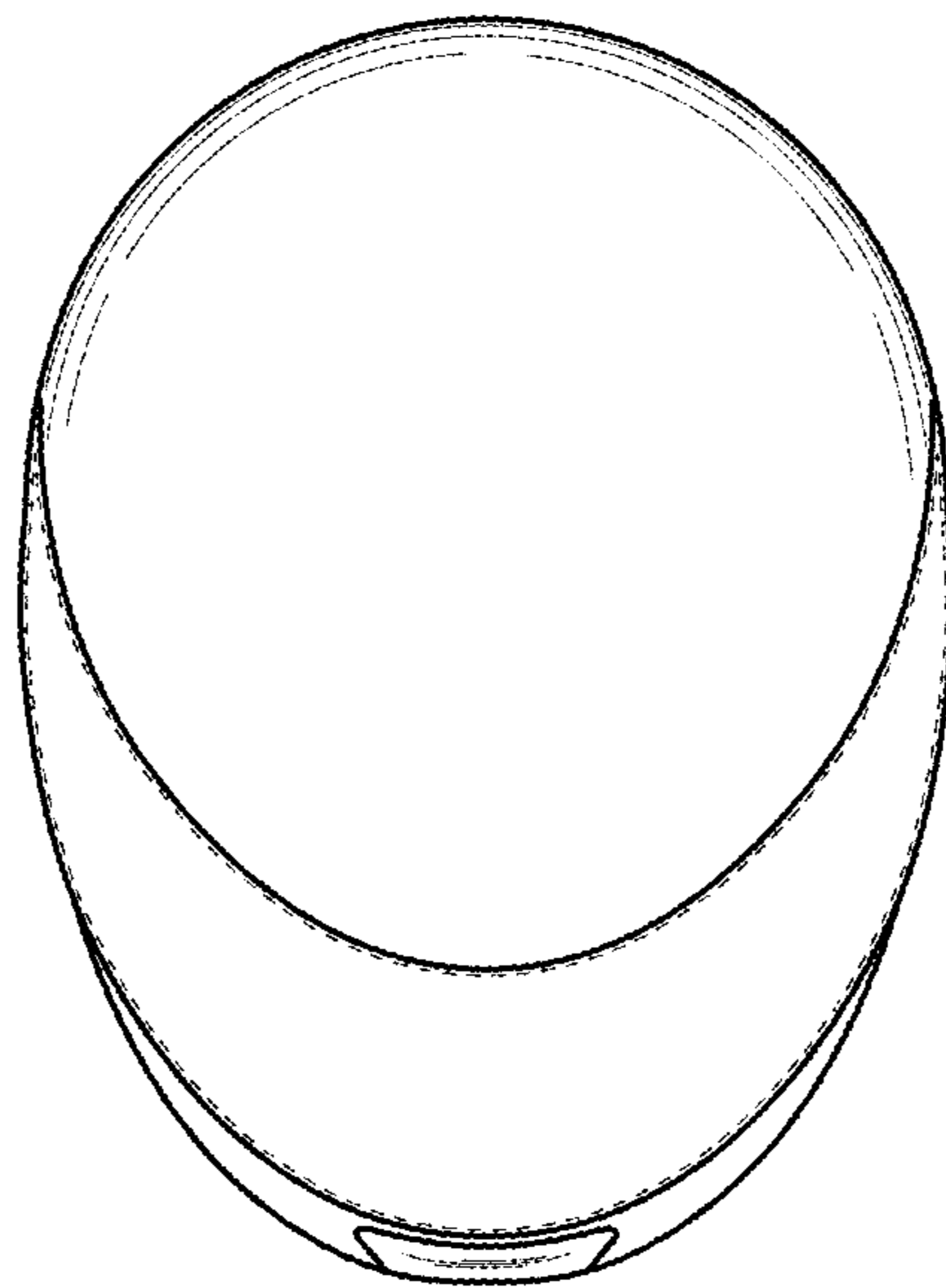


FIG. 7

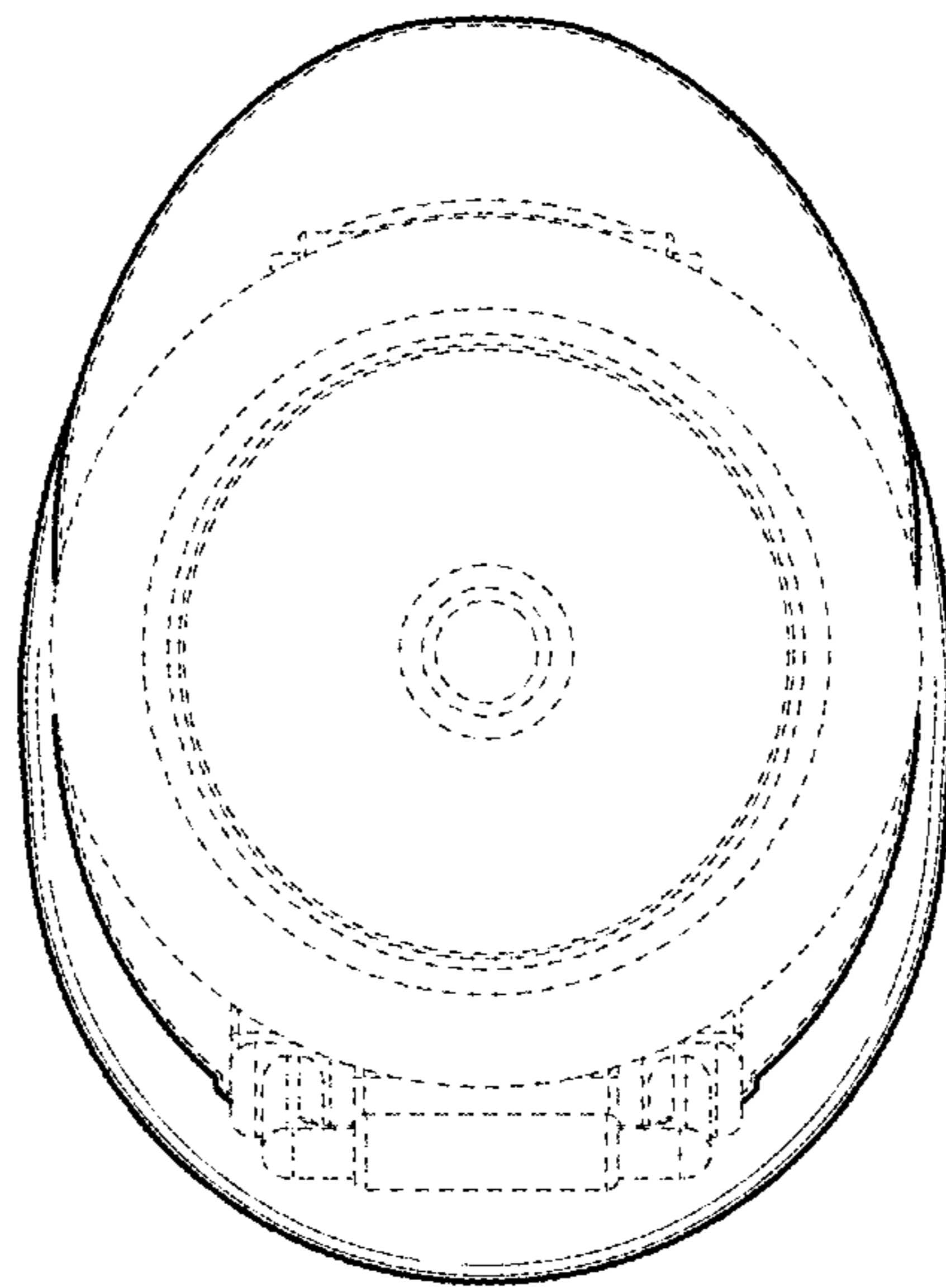


FIG. 8

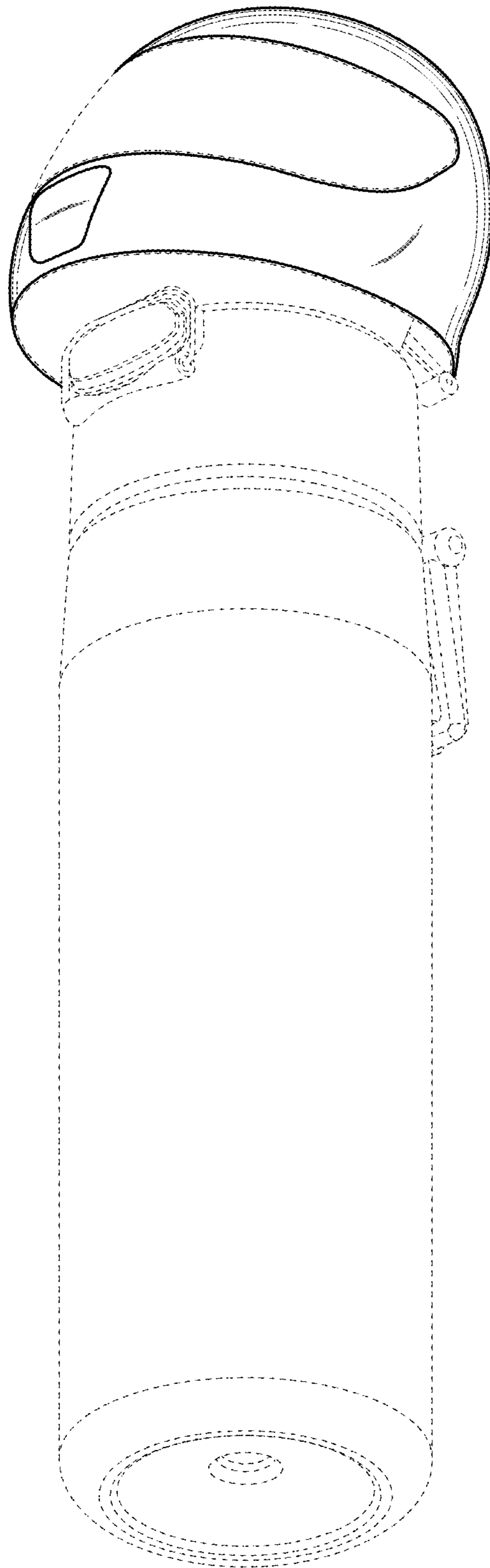


FIG. 9