



US00D889956S

(12) **United States Design Patent** (10) **Patent No.:** **US D889,956 S**
Uyeda (45) **Date of Patent:** **** Jul. 14, 2020**

(54) **PACKAGING**

(71) Applicant: **Apple Inc.**, Cupertino, CA (US)

(72) Inventor: **Mark T. Uyeda**, Campbell, CA (US)

(73) Assignee: **Apple Inc.**, Cupertino, CA (US)

(**) Term: **15 Years**

(21) Appl. No.: **29/664,489**

(22) Filed: **Sep. 25, 2018**

(51) **LOC (12) Cl.** **09-03**

(52) **U.S. Cl.**
USPC **D9/418; D9/433**

(58) **Field of Classification Search**
USPC D9/414, 416, 432, 433, 715, 721, 737;
D7/601, 602, 630
CPC B65D 5/422; B65D 5/4204; B65D 5/5021;
B65D 5/6661; B65D 5/0245; B65D
5/4229; B65D 5/2004; B65D 5/38; B65D
5/2009; B65D 77/0433; B65D 5/28;
B65D 5/4237; B65D 5/4258; B65D
5/5059; B65D 85/1081; B65D 5/20;
B65D 5/2066; B65D 5/2076; B65D 5/42
See application file for complete search history.

(56) **References Cited**

U.S. PATENT DOCUMENTS

| | | | | |
|---------------|---------|---------|-------|--------------|
| D192,335 S * | 3/1962 | Paps | | D9/751 |
| 3,366,227 A * | 1/1968 | Strazza | | B65D 73/0085 |
| | | | | 206/783 |
| 4,239,110 A * | 12/1980 | Enke | | B65D 85/04 |
| | | | | 206/396 |
| D696,144 S * | 12/2013 | Akana | | D9/715 |

| | | | | |
|-------------------|---------|------------|-------|--------------|
| D758,191 S * | 6/2016 | Tu | | D9/414 |
| D819,438 S * | 6/2018 | Lackus | | D9/418 |
| D821,195 S * | 6/2018 | Kioroglou | | D9/430 |
| 2004/0026284 A1 * | 2/2004 | Cote | | B65D 5/18 |
| | | | | 206/397 |
| 2007/0051662 A1 * | 3/2007 | Millar-Sax | | B65D 5/0254 |
| | | | | 206/702 |
| 2008/0011818 A1 * | 1/2008 | Chen | | B65D 5/18 |
| | | | | 229/117.01 |
| 2008/0093430 A1 * | 4/2008 | Wethington | | B65D 5/241 |
| | | | | 229/106 |
| 2014/0326625 A1 * | 11/2014 | Copp | | B65D 85/04 |
| | | | | 206/303 |
| 2017/0320689 A1 * | 11/2017 | Ellis | | B65D 5/16 |
| 2017/0355499 A1 * | 12/2017 | Cheng | | B65D 73/0021 |
| 2018/0273262 A1 * | 9/2018 | McCarren | | B65D 61/00 |
| 2018/0362199 A1 * | 12/2018 | Bradley | | B65B 35/50 |

* cited by examiner

Primary Examiner — Lauren R Calve
(74) *Attorney, Agent, or Firm* — Sterne, Kessler, Goldstein & Fox P.L.L.C.

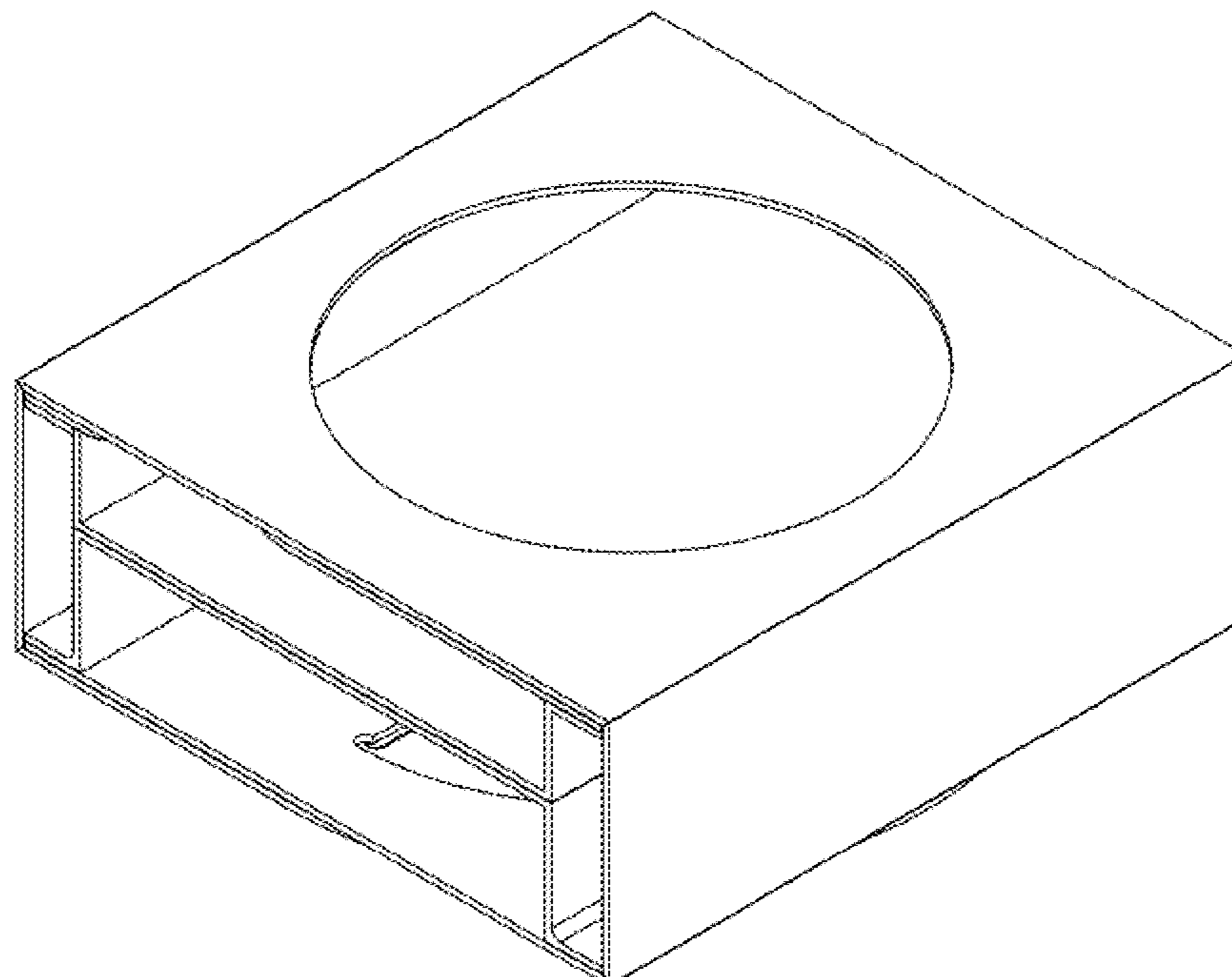
(57) **CLAIM**

The ornamental design for packaging, as shown and described.

DESCRIPTION

FIG. 1 is a top front perspective view of packaging showing the claimed design;
FIG. 2 is a front view thereof;
FIG. 3 is a rear view thereof;
FIG. 4 is a left side view thereof;
FIG. 5 is a right side view thereof;
FIG. 6 is a top view thereof; and,
FIG. 7 is a bottom view thereof.

1 Claim, 1 Drawing Sheet



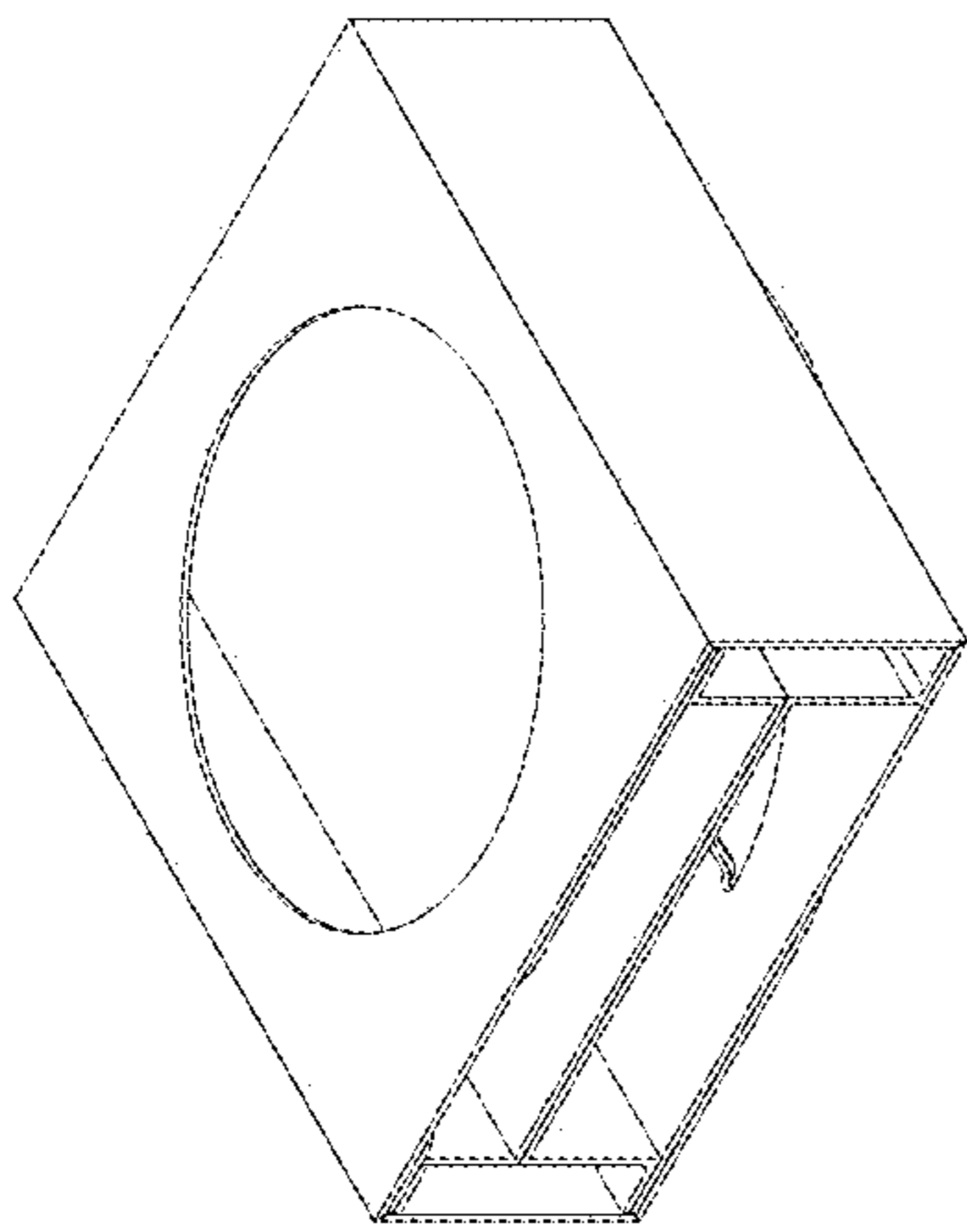


FIG. 1

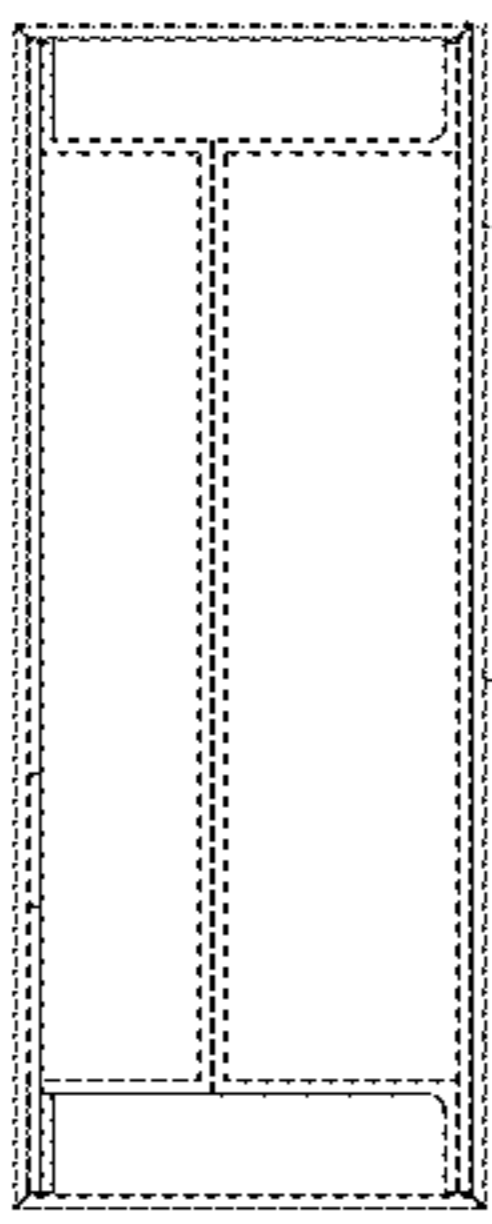


FIG. 2

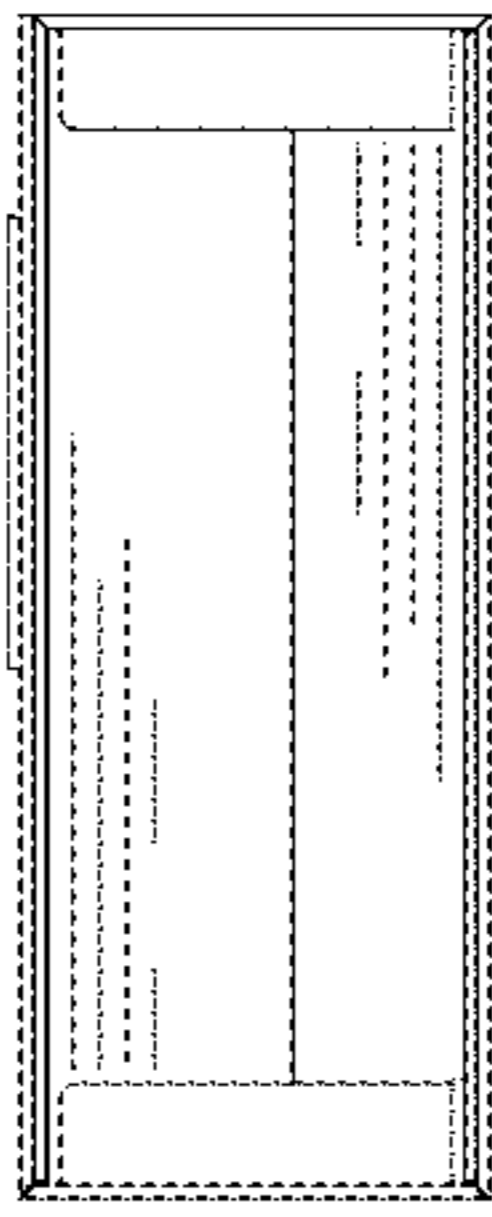


FIG. 3



FIG. 4



FIG. 5

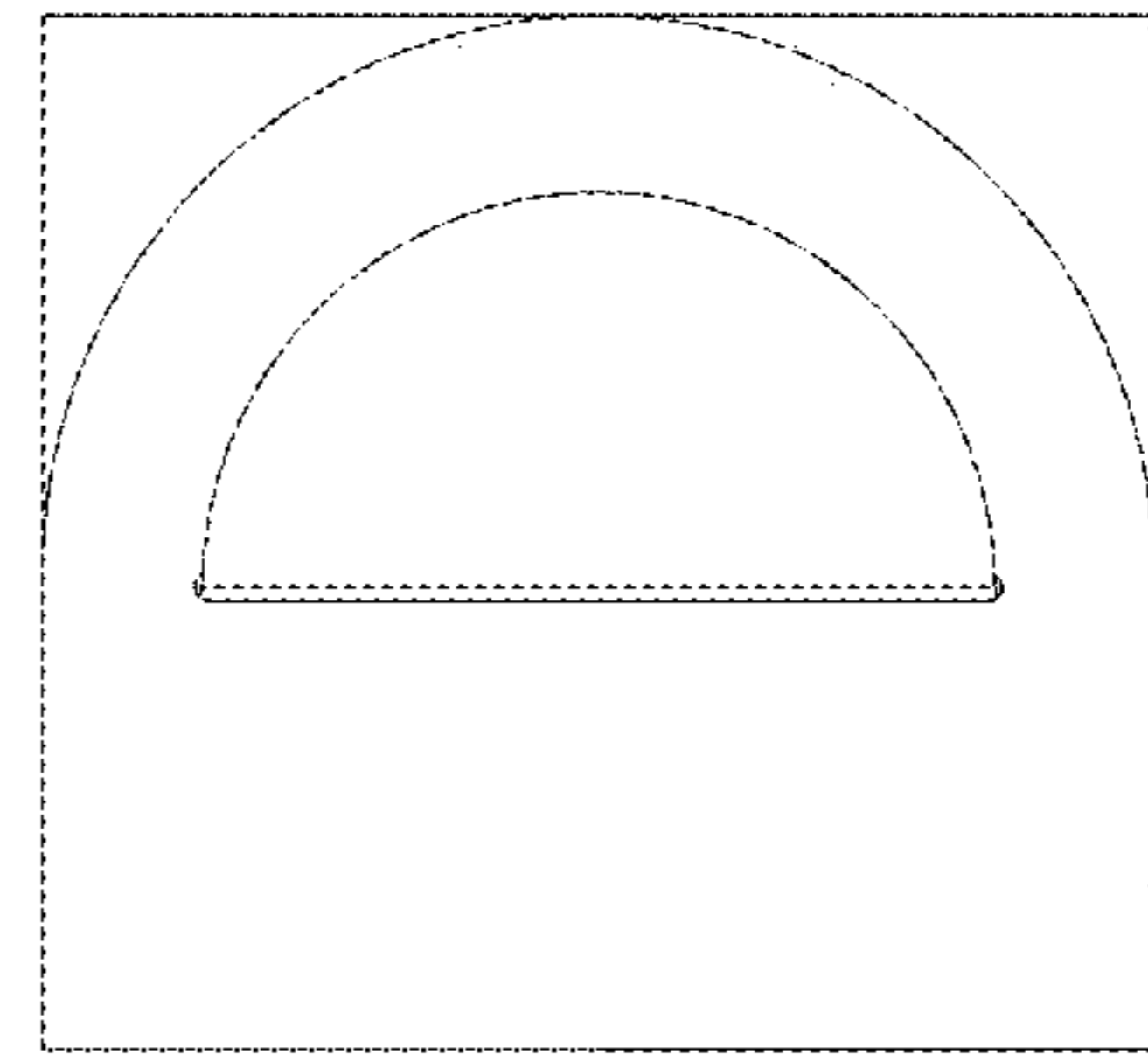


FIG. 6

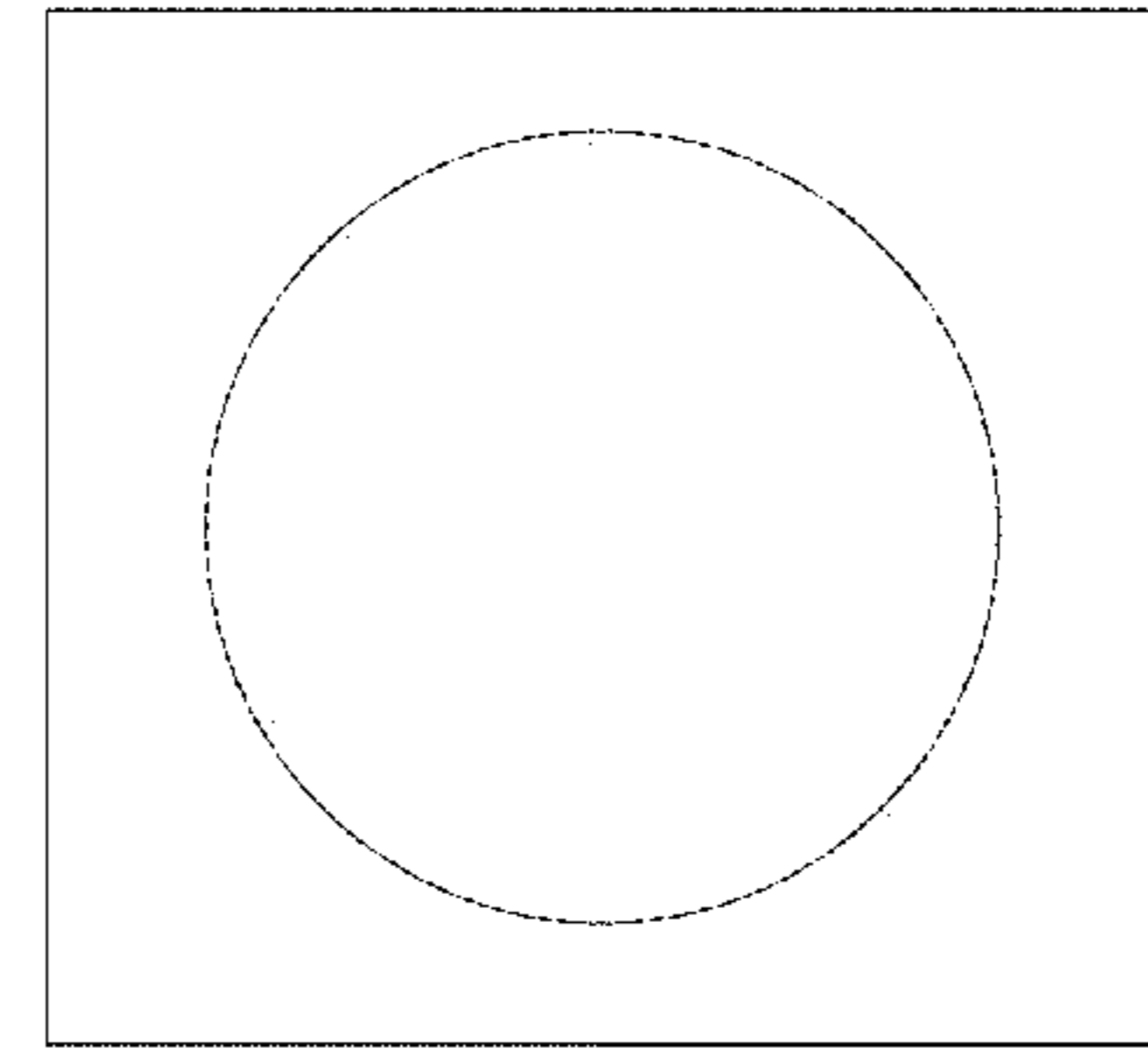


FIG. 7