



US00D889954S

(12) **United States Design Patent**
Lockwood et al.

(10) **Patent No.:** **US D889,954 S**
(45) **Date of Patent:** **** Jul. 14, 2020**

(54) **WINDSHIELD REMOVAL AND REPLACEMENT APPARATUS**

(71) Applicant: **The WASP, LLC**, Arvada, CO (US)

(72) Inventors: **Kenneth R. Lockwood**, Arvada, CO (US); **Randall C. Lockwood**, Arvada, CO (US); **Kevin R. Lockwood**, Arvada, CO (US)

(73) Assignee: **The WASP, LLC**, Arvada, CO (US)

(**) Term: **15 Years**

(21) Appl. No.: **29/649,377**

(22) Filed: **May 29, 2018**

(51) **LOC (12) Cl.** **12-02**

(52) **U.S. Cl.**
USPC **D8/499**; D34/26

(58) **Field of Classification Search**
USPC D34/26, 35, 21, 28, 17; D8/400-499;
D25/199, 48.5

CPC .. B65G 2249/04; B65G 49/061; B65D 85/48;
A47L 15/50; B62B 2203/30; B62B 3/108

See application file for complete search history.

(56) **References Cited**

U.S. PATENT DOCUMENTS

3,765,550	A *	10/1973	Tausheck	B62B 3/108
					414/541
4,676,713	A *	6/1987	Voelpel	B65G 49/061
					414/590
5,366,203	A *	11/1994	Huffman	E04B 9/003
					248/277.1
7,008,165	B1 *	3/2006	Grimes	B62B 3/108
					269/17

(Continued)

Primary Examiner — John Windmuller

(74) *Attorney, Agent, or Firm* — Aileen Law; Oppedahl Patent Law Firm LLC

(57) **CLAIM**

The ornamental design for a windshield removal and replacement apparatus, as shown and described.

DESCRIPTION

FIG. 1 is a front, right perspective view of the new design for a windshield removal and replacement apparatus.

FIG. 2 is a back, left perspective view of the new design for a windshield removal and replacement apparatus.

FIG. 3 is a back view of the new design for a windshield removal and replacement apparatus.

FIG. 4 is a front view of the new design for a windshield removal and replacement apparatus.

FIG. 5 is a right side view of the new design for a windshield removal and replacement apparatus.

FIG. 6 is a left side view of the new design for a windshield removal and replacement apparatus.

FIG. 7 is a top view of the new design for a windshield removal and replacement apparatus.

FIG. 8 is a bottom view of the new design for a windshield removal and replacement apparatus.

FIG. 9 is another top view of the new design for a windshield removal and replacement apparatus.

FIG. 10 is a cross-sectional view as indicated in FIG. 9.

FIG. 11 is another cross-sectional view as indicated in FIG. 9.

FIG. 12 is a front, right perspective view of the new design for a windshield removal and replacement apparatus shown in an alternate position; and,

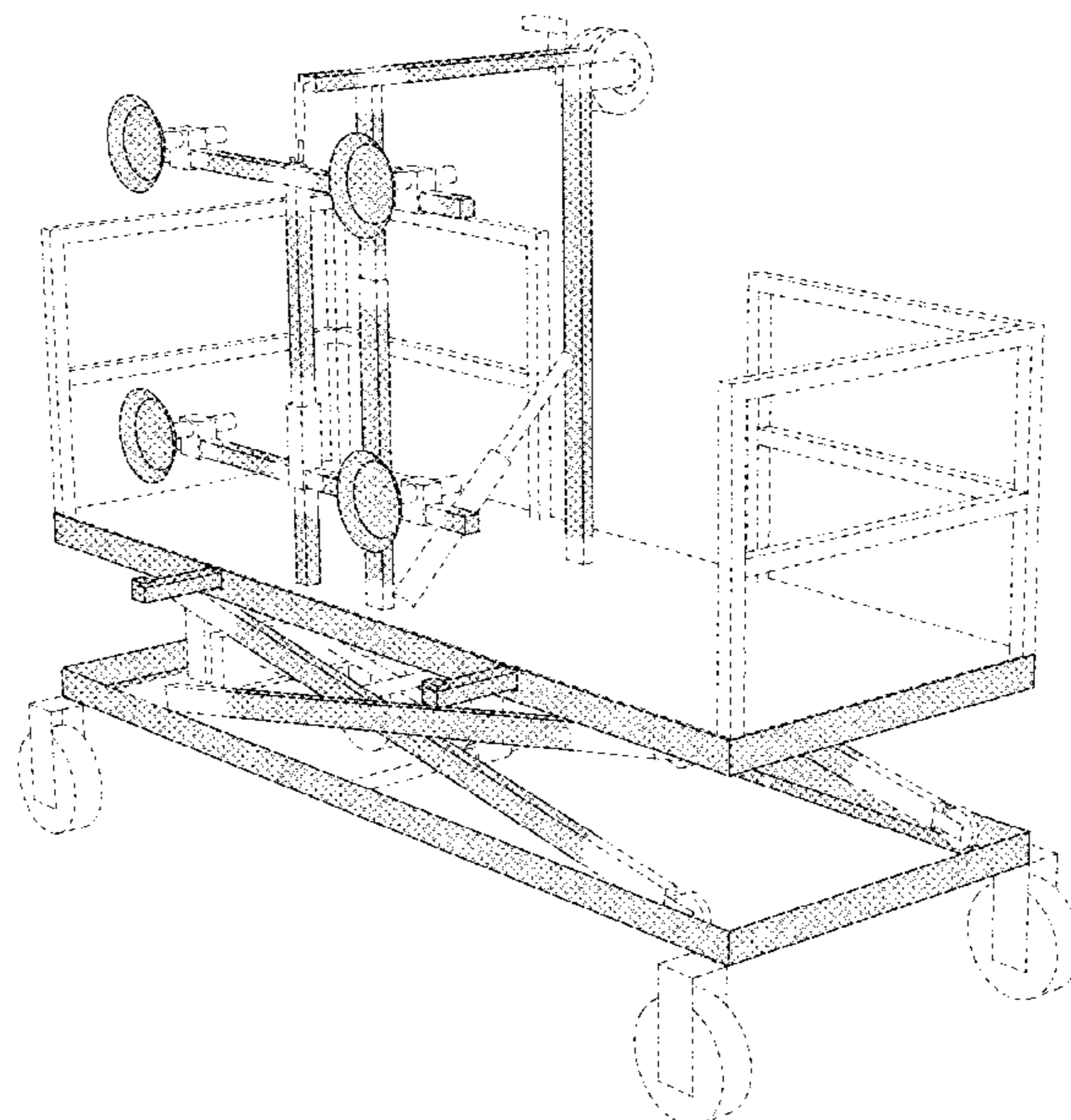
FIG. 13 is a right side view of FIG. 12.

The features shown in broken lines and without shading in the drawings form no part of the claimed design.

The dot-dash broken lines in FIG. 9 are for the purpose of indicating the plane upon which the sectional views are taken and form no part of the claimed design.

The oblique parallel lines in cross-sectional views FIGS. 10 and 11 are hatching lines.

1 Claim, 13 Drawing Sheets



(56)

References Cited

U.S. PATENT DOCUMENTS

7,628,434 B2 * 12/2009 Bruce B65G 49/061
294/65
D632,450 S * 2/2011 Agoncillo D34/28
D685,563 S * 7/2013 Chan D34/28
D732,259 S * 6/2015 Lockwood D34/26
10,214,257 B1 * 2/2019 Viola B25B 11/005
10,226,684 B2 * 3/2019 Collins A63C 19/12
2008/0150244 A1 * 6/2008 Carlei B65G 49/061
280/35
2010/0011554 A1 * 1/2010 Daigle, Sr. B60J 1/005
29/283

* cited by examiner

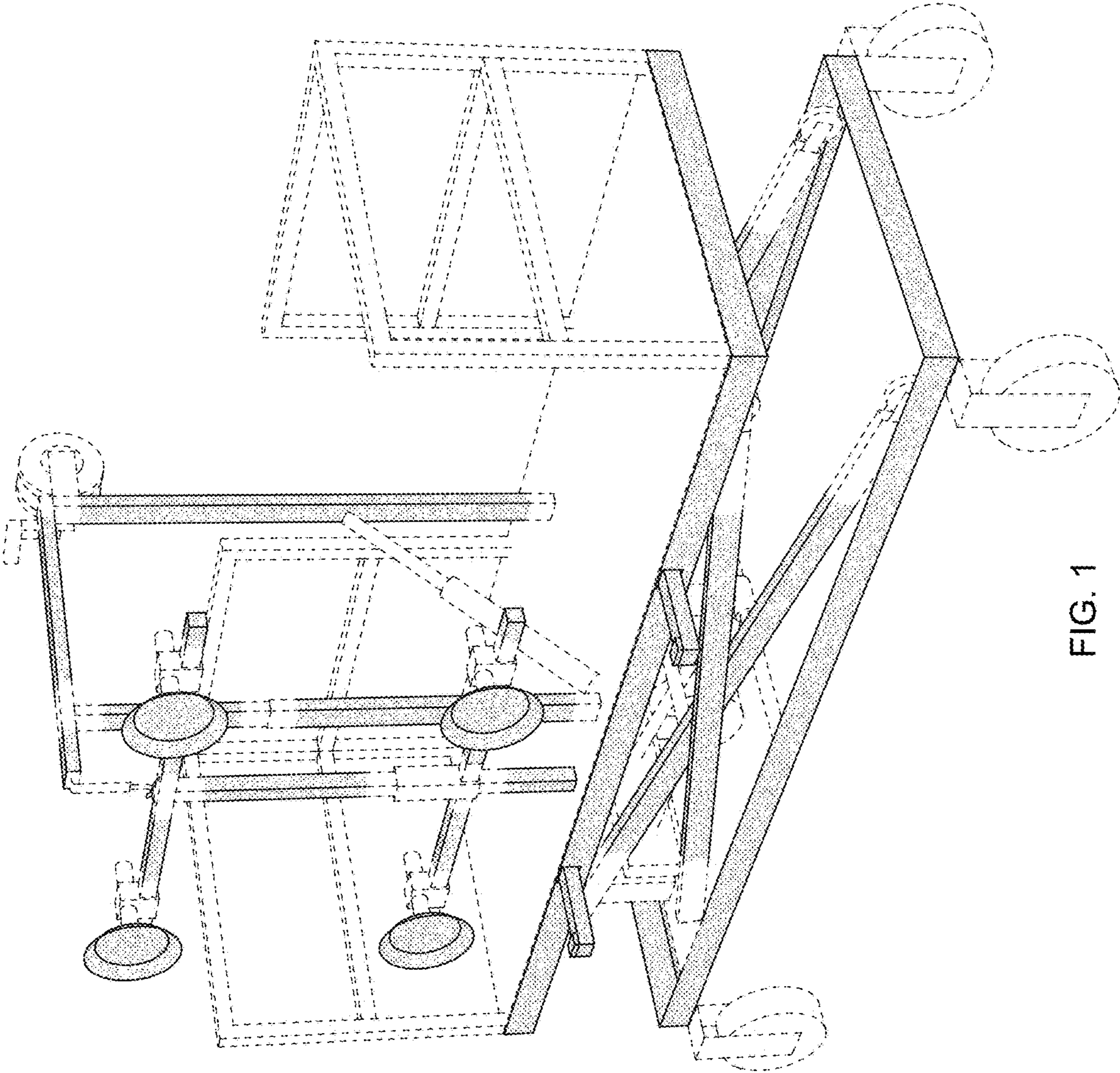


FIG. 1

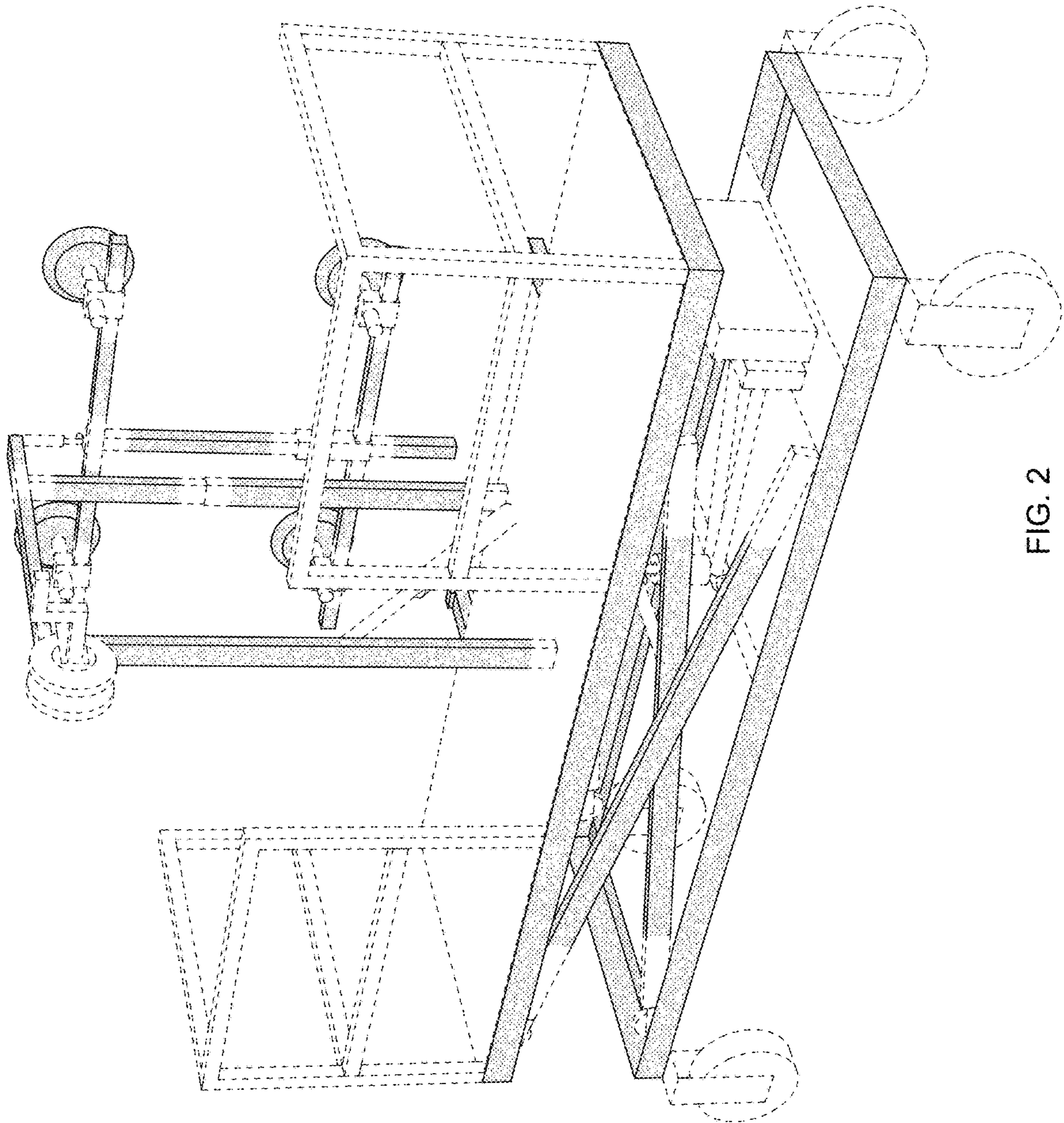


FIG. 2

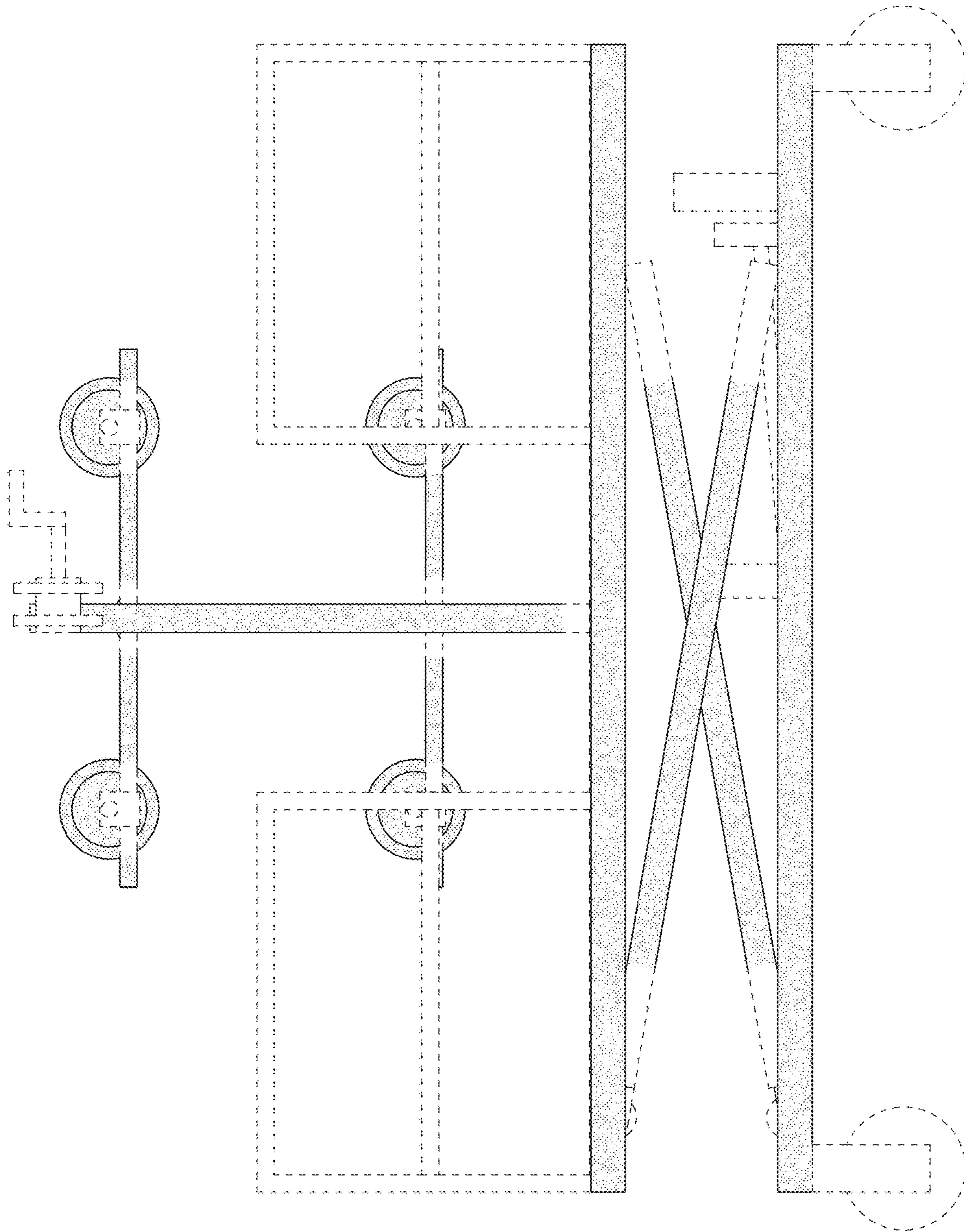


FIG. 3

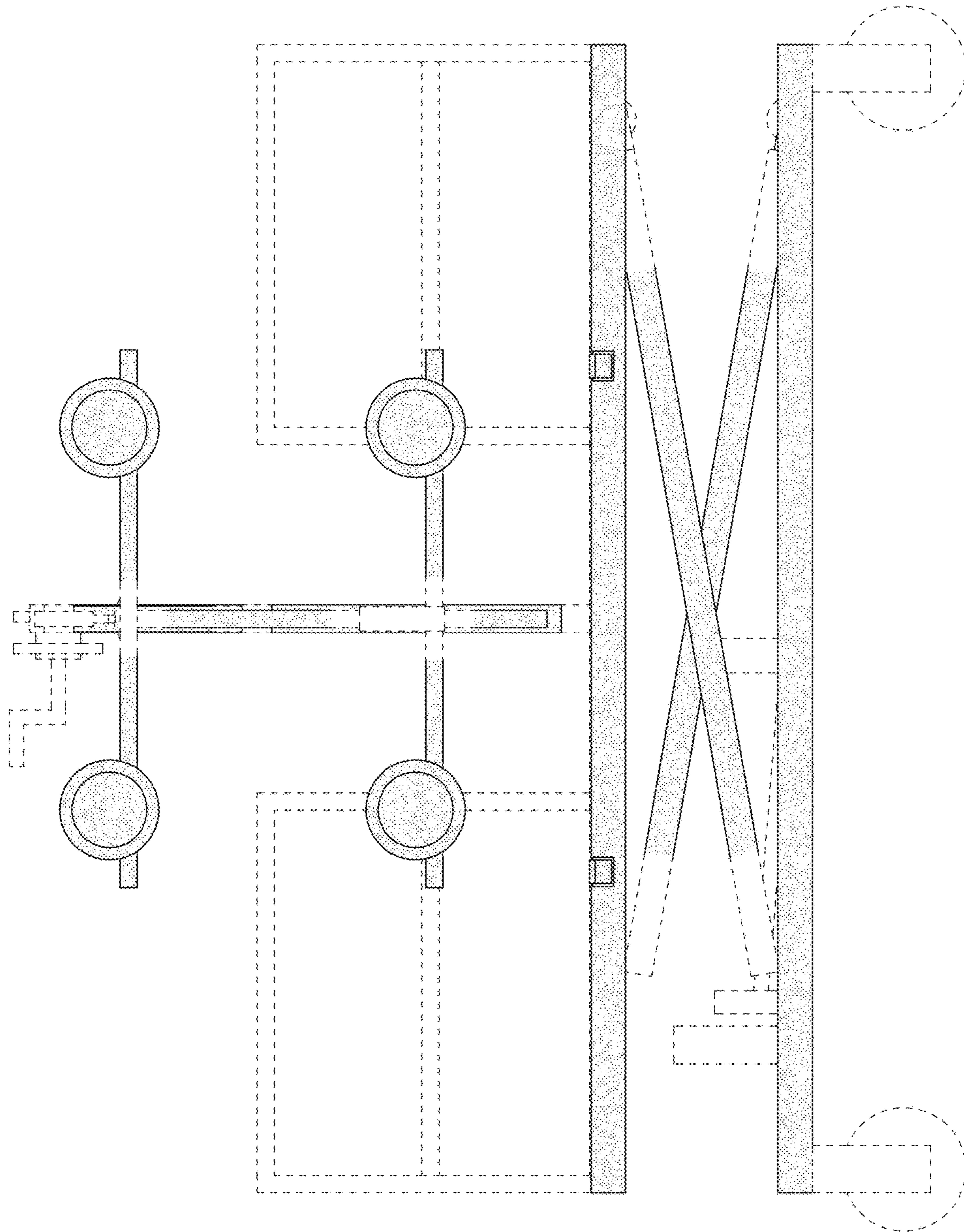


FIG. 4

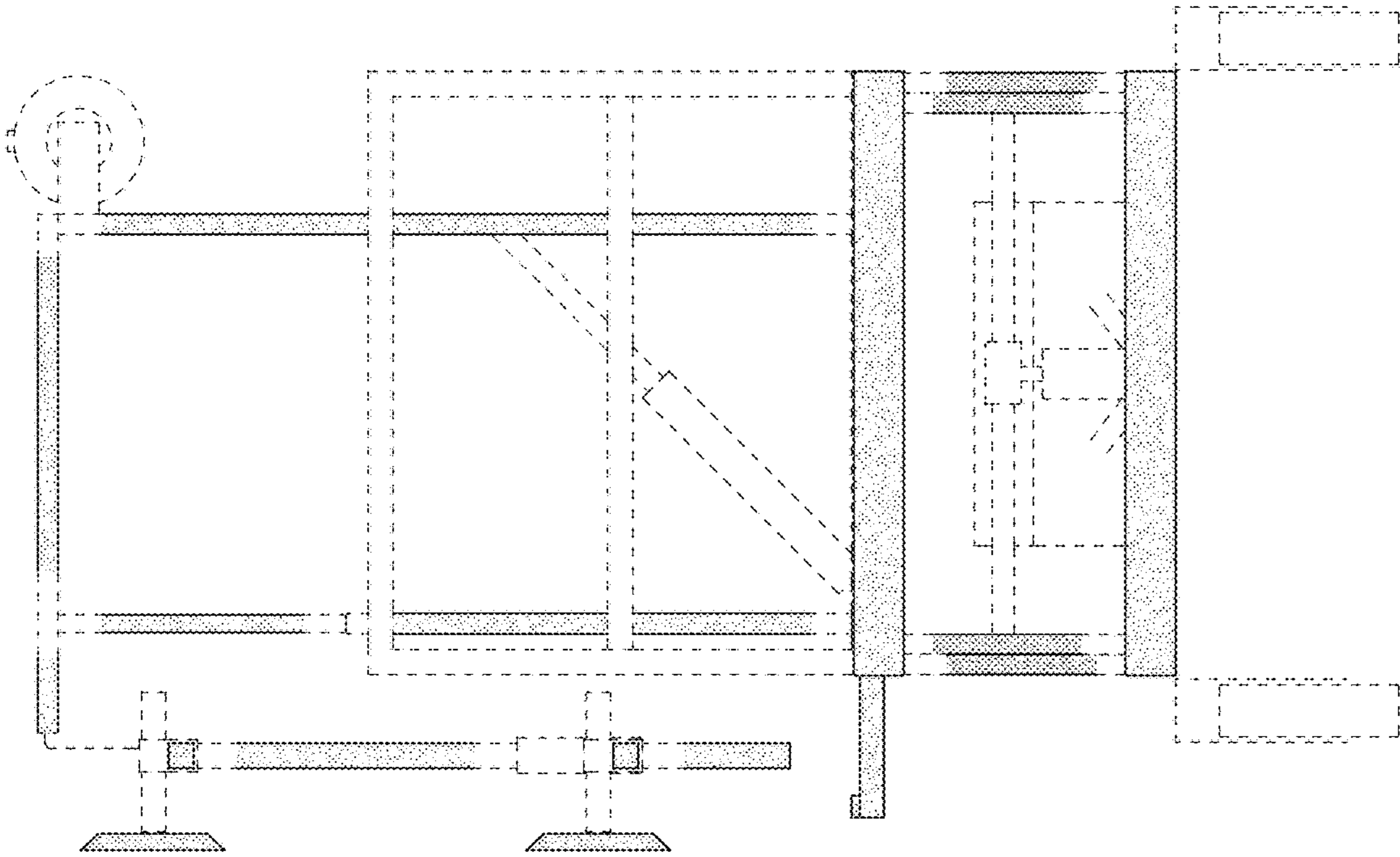


FIG. 5

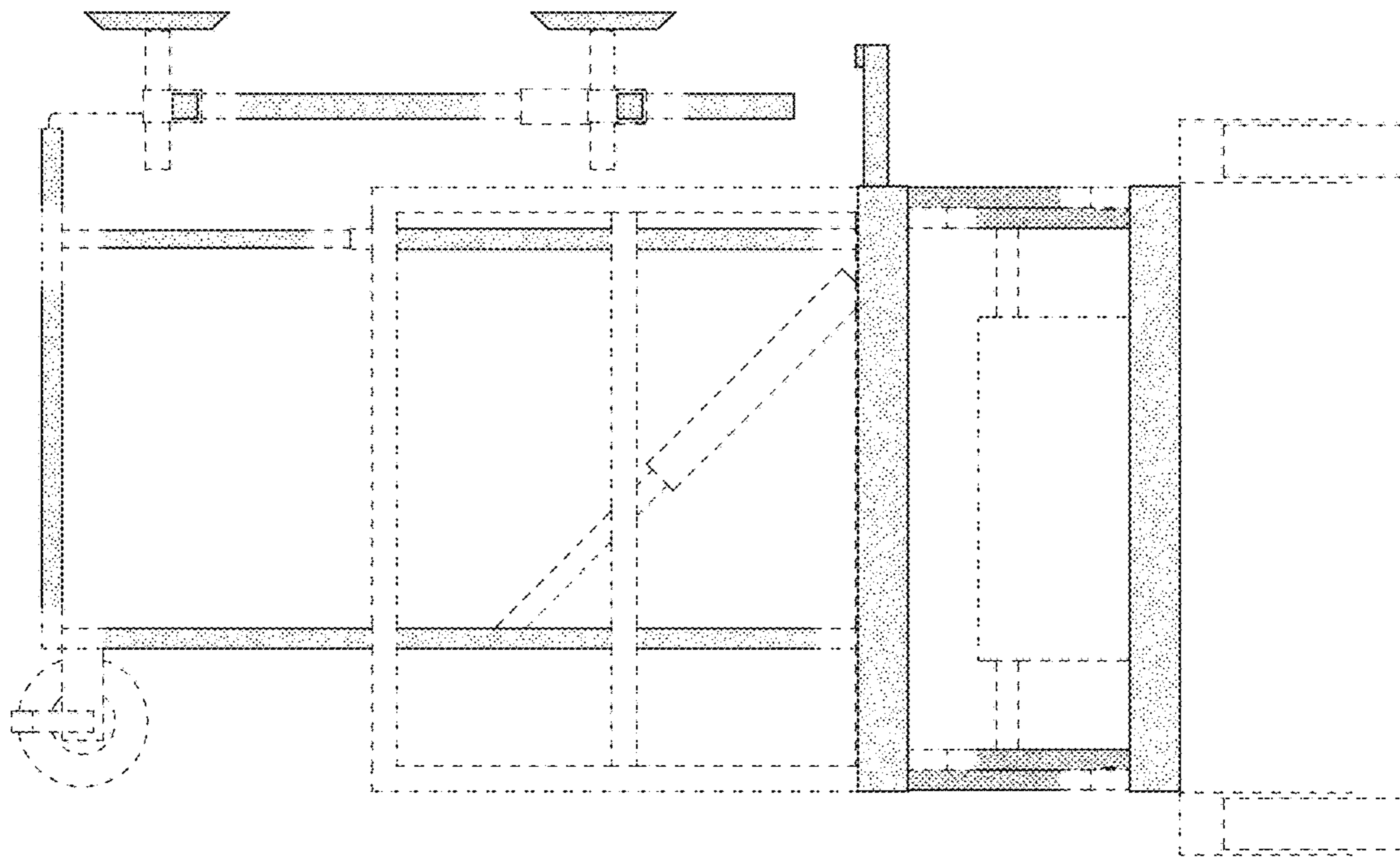


FIG. 6

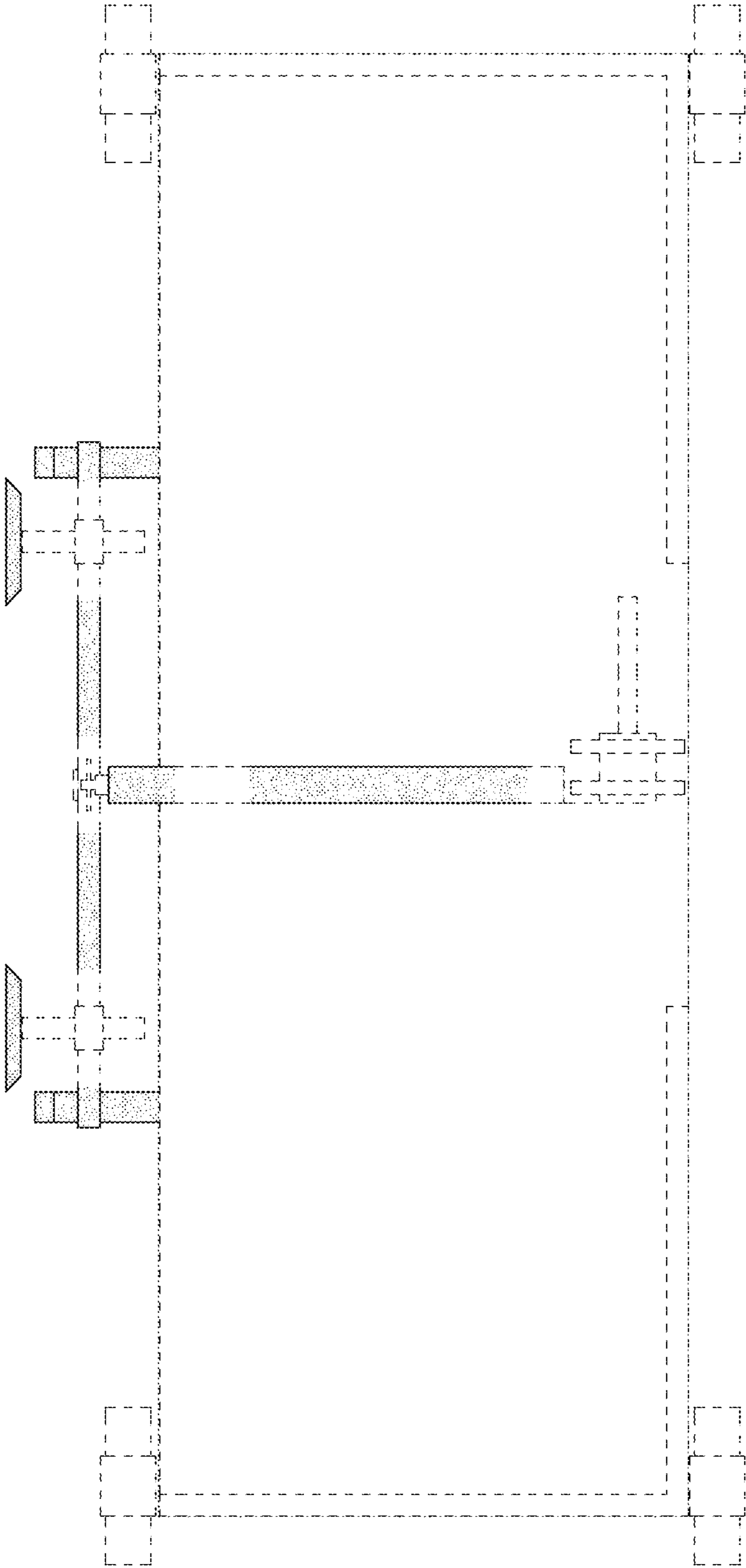


FIG. 7

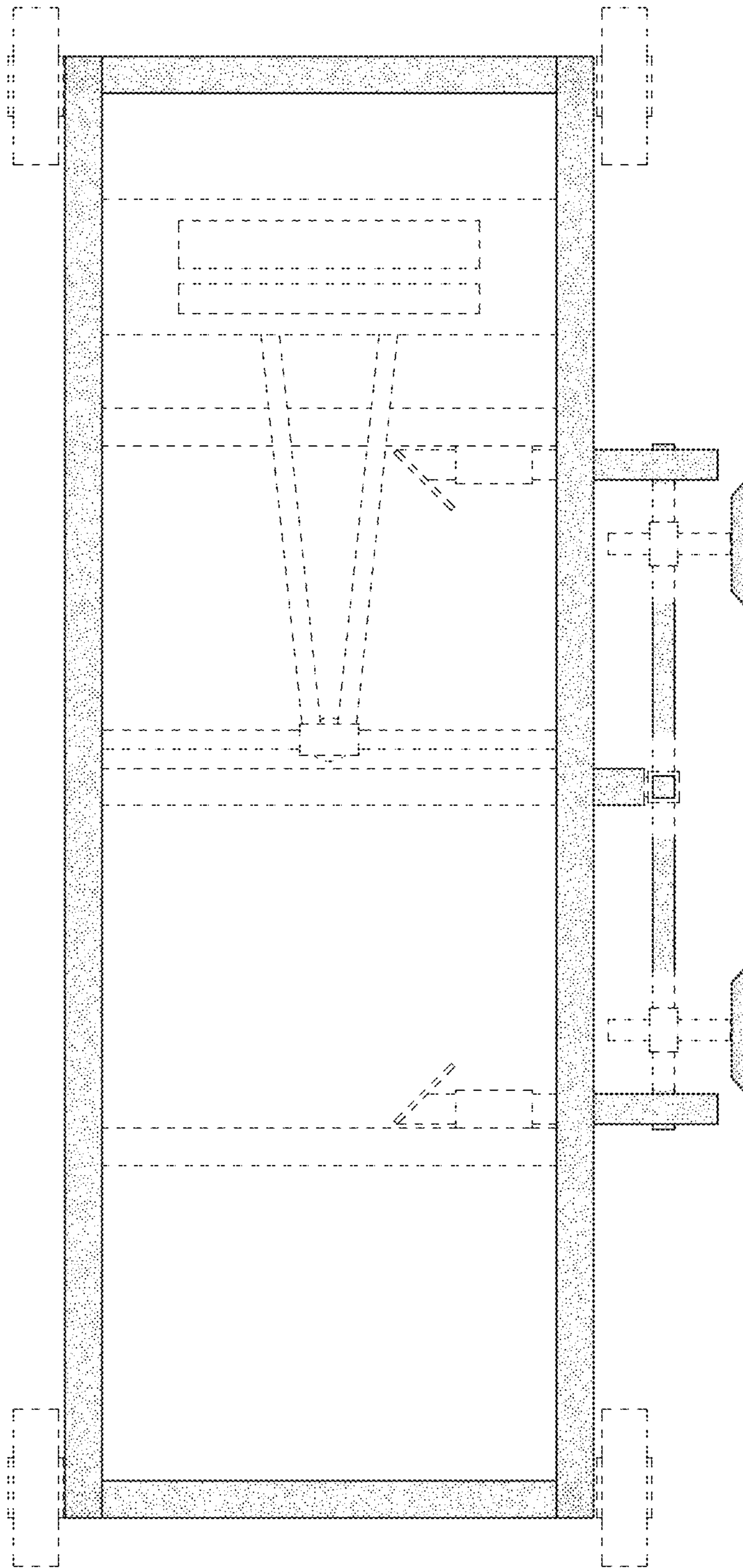


FIG. 8

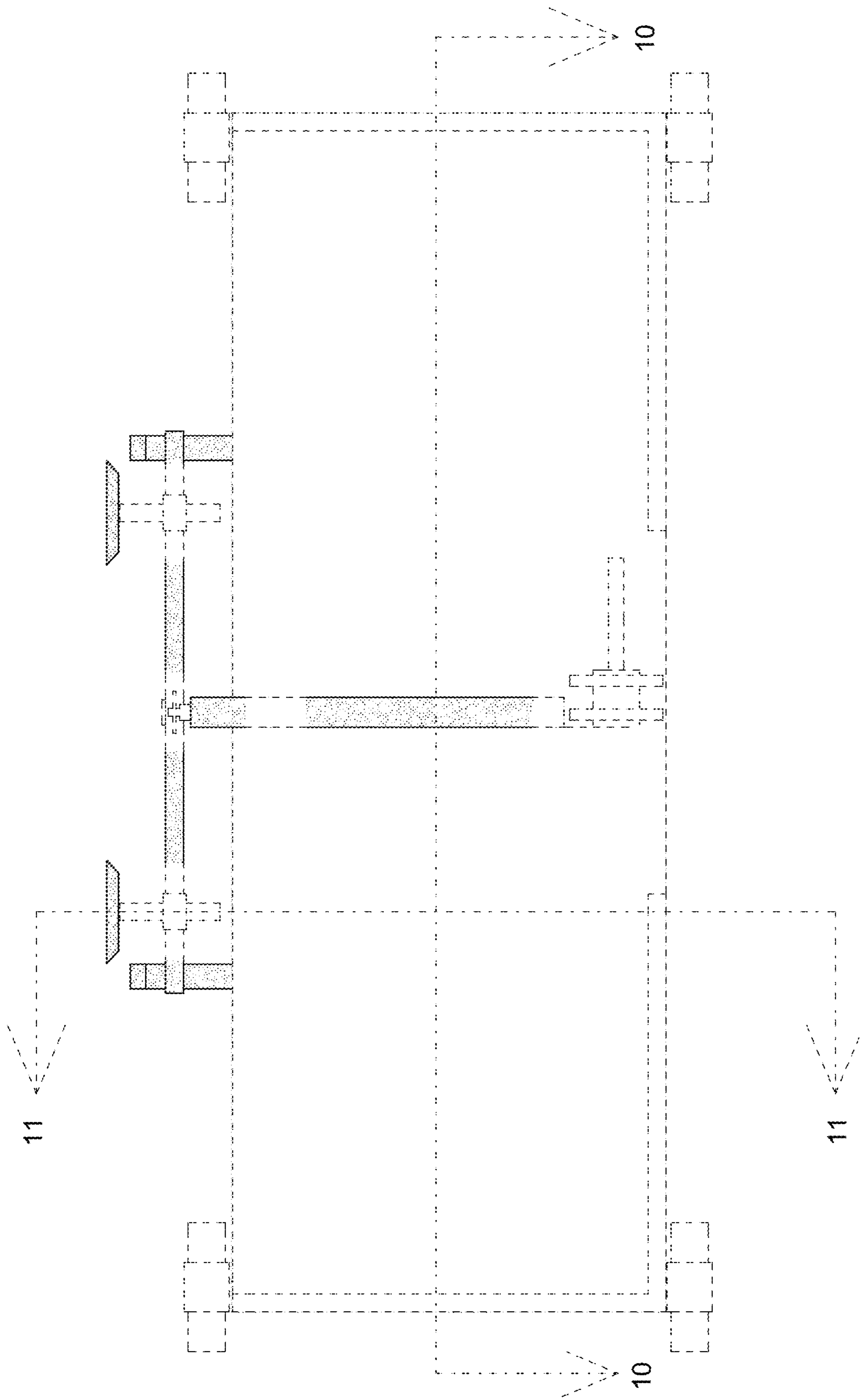


FIG. 9

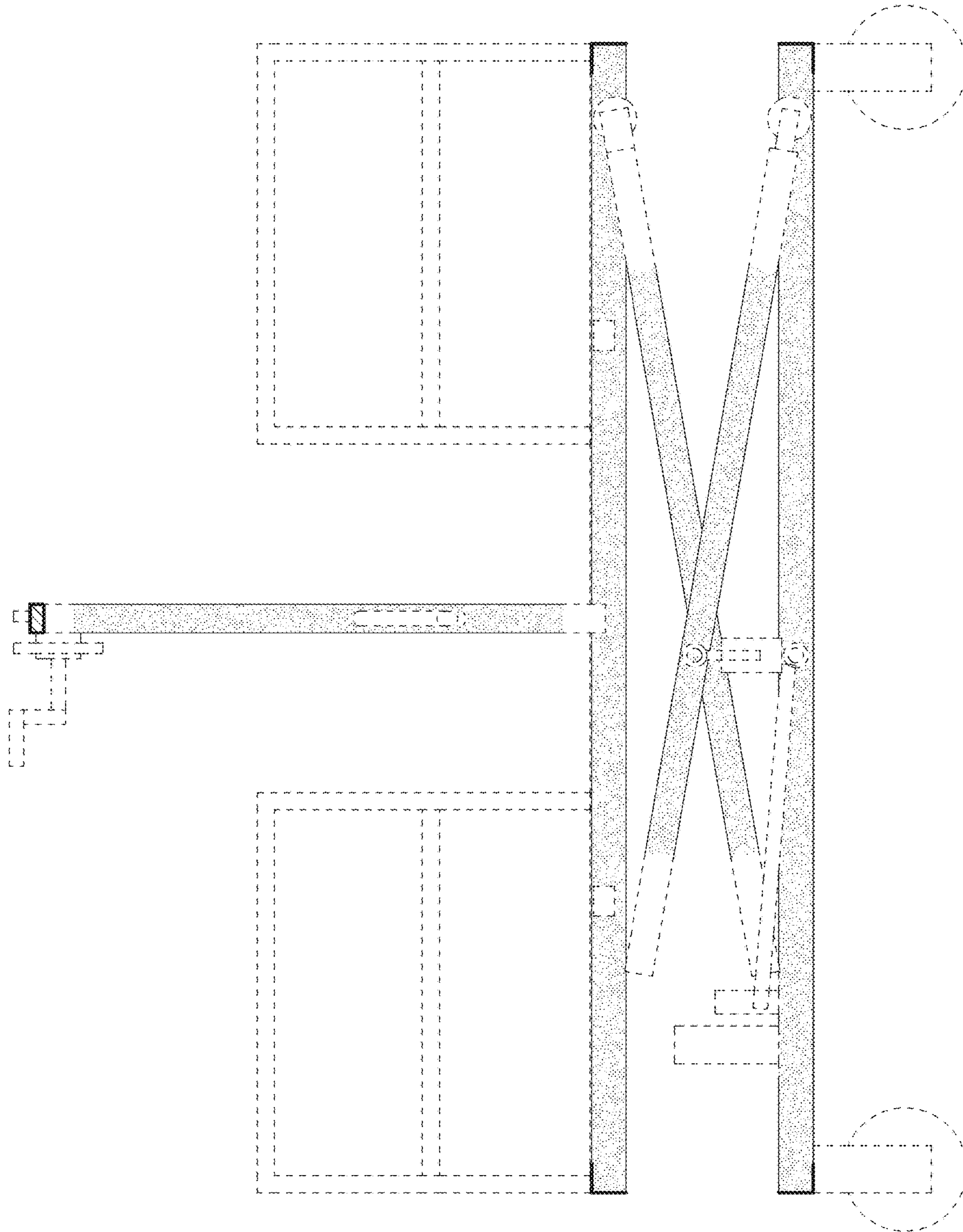


FIG. 10

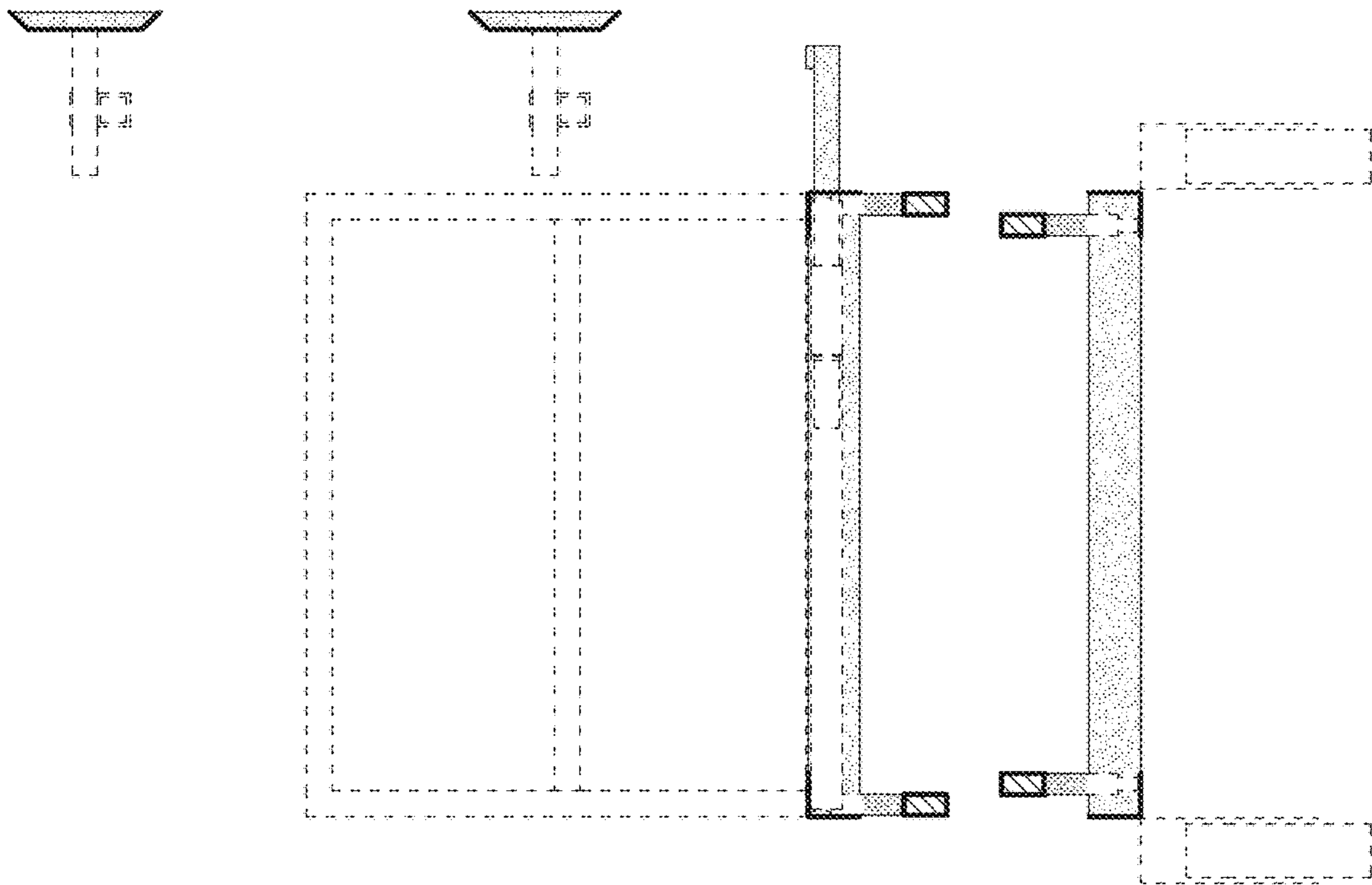


FIG. 11

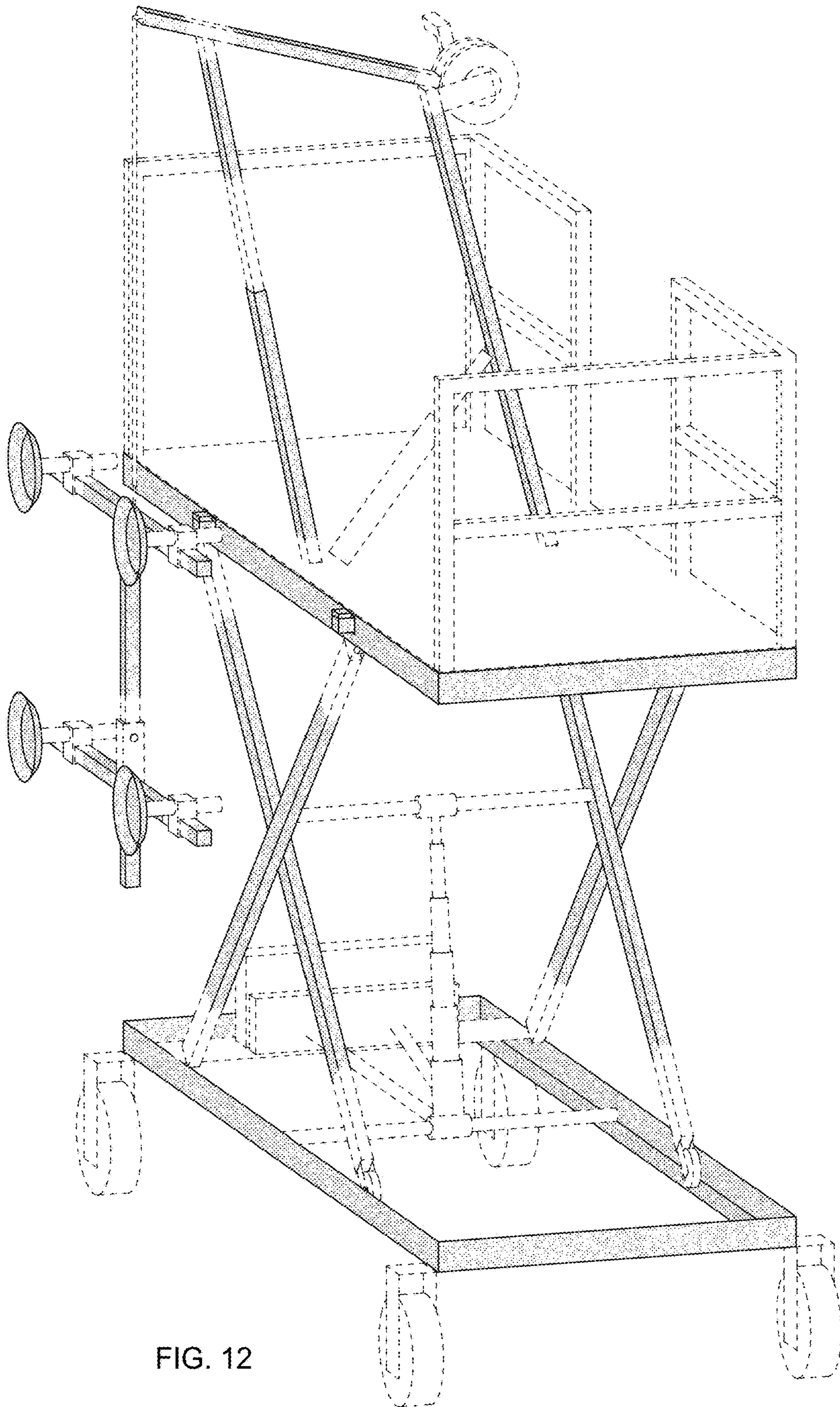


FIG. 12

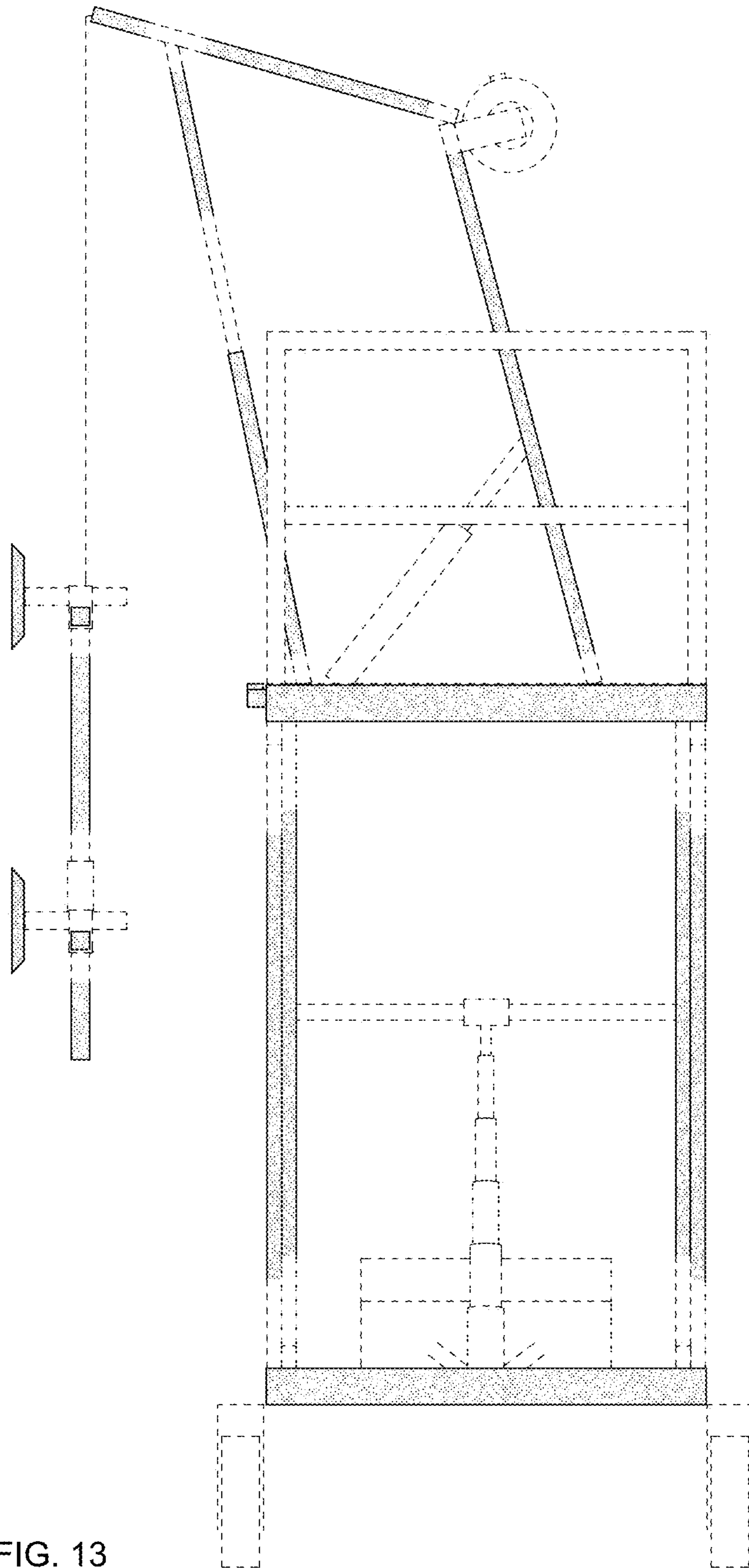


FIG. 13