



US00D889951S

(12) **United States Design Patent** (10) **Patent No.:** **US D889,951 S**  
**Totsu** (45) **Date of Patent:** **\*\* Jul. 14, 2020**

- (54) **SCREW**
- (71) Applicant: **Katsuyuki Totsu**, Sumida-ku (JP)
- (72) Inventor: **Katsuyuki Totsu**, Sumida-ku (JP)
- (\*\*) Term: **15 Years**
- (21) Appl. No.: **29/670,733**
- (22) Filed: **Nov. 19, 2018**
- (51) **LOC (12) Cl.** ..... **08-08**
- (52) **U.S. Cl.**  
USPC ..... **D8/387**
- (58) **Field of Classification Search**  
USPC ..... D8/385, 387, 388, 391, 393  
CPC ..... F16B 23/0007; F16B 23/0015; F16B  
23/0023; F16B 23/003; F16B 23/0038;  
F16B 23/0046; B21K 1/46; B21K 1/463  
See application file for complete search history.

6,341,546 B1 \* 1/2002 Totsu ..... B25B 15/005  
411/404  
D559,094 S \* 1/2008 Totsu ..... D8/387  
D601,004 S \* 9/2009 Hagins ..... D8/387  
D654,354 S \* 2/2012 Jeon ..... D8/387  
8,261,641 B2 \* 9/2012 Nojikawa ..... F16B 23/0023  
81/125

(Continued)

**FOREIGN PATENT DOCUMENTS**

JP D1275033 S 6/2006  
JP D1591636 S 11/2017

*Primary Examiner* — Sandra S Snapp  
*Assistant Examiner* — Ieisha N Price  
(74) *Attorney, Agent, or Firm* — Norton Rose Fulbright  
US LLP

(57) **CLAIM**

The ornamental design for a screw, as shown and described.

(56) **References Cited**

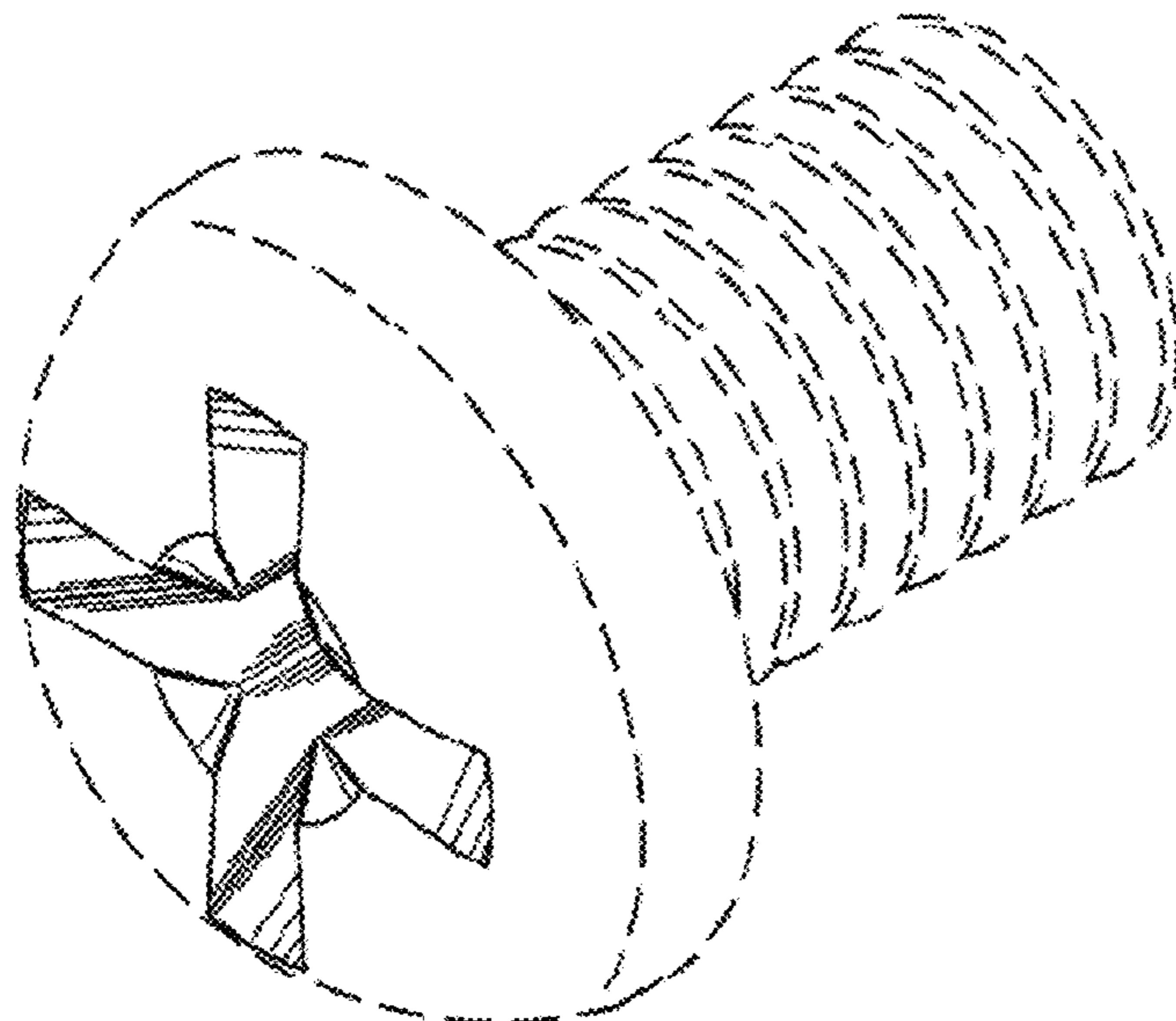
**U.S. PATENT DOCUMENTS**

- 2,216,382 A \* 10/1940 West ..... F16B 23/0023  
411/403
- 2,800,936 A \* 7/1957 West ..... B25B 15/005  
81/460
- D200,217 S \* 2/1965 Law ..... D8/387
- D200,218 S \* 2/1965 Curtiss ..... D8/387
- D223,560 S \* 5/1972 Hirata ..... D8/387
- 4,084,478 A \* 4/1978 Simmons ..... B21K 1/463  
411/404
- 4,151,621 A \* 5/1979 Simmons ..... B21K 1/463  
411/407
- 4,202,244 A \* 5/1980 Gutshall ..... F16B 23/0023  
411/404
- 4,228,723 A \* 10/1980 Cunningham ..... F16B 23/0015  
411/394
- 4,355,552 A \* 10/1982 Gutshall ..... F16B 23/0023  
81/460
- 5,205,694 A \* 4/1993 Nagoshi ..... F16B 23/0023  
411/399

**DESCRIPTION**

FIG. 1 is a perspective view of the screw showing my new design, taken from the front, top, and right side thereof; FIG. 2 is a front elevational view thereof; FIG. 3 is a rear elevational view thereof; FIG. 4 is a left side elevational view thereof; FIG. 5 is a right side elevational view thereof; FIG. 6 is a top plan view thereof; FIG. 7 is a bottom plan view thereof; FIG. 8 is a cross-sectional view thereof taken along the lines 8-8 in FIG. 6, illustrating the configuration of the groove formed in the screw head; and, FIG. 9 is a cross-sectional view thereof taken along the lines 9-9 in FIG. 6, illustrating the configuration of the groove formed in the screw head. The broken lines in all figures illustrate portions of the screw that form no part of the claimed design.

**1 Claim, 5 Drawing Sheets**



(56)

**References Cited**

U.S. PATENT DOCUMENTS

D755,042 S \* 5/2016 Kalis ..... D8/387  
D811,868 S 3/2018 Totsu  
2003/0002952 A1\* 1/2003 Totsu ..... B21K 1/46  
411/403  
2003/0159551 A1\* 8/2003 Hughes ..... B25B 15/005  
81/460  
2005/0047891 A1\* 3/2005 Toyooka ..... F16B 23/0023  
411/403  
2005/0129486 A1\* 6/2005 Totsu ..... B25B 13/485  
411/402  
2005/0172762 A1\* 8/2005 Suzuki ..... B25B 15/005  
81/460  
2007/0043379 A1\* 2/2007 Sullivan, Jr. .... A61B 17/8605  
606/104  
2007/0245863 A1\* 10/2007 Edland ..... F16B 23/003  
81/460  
2010/0040432 A1\* 2/2010 Totsu ..... F16B 35/044  
411/426

\* cited by examiner

FIG. 1

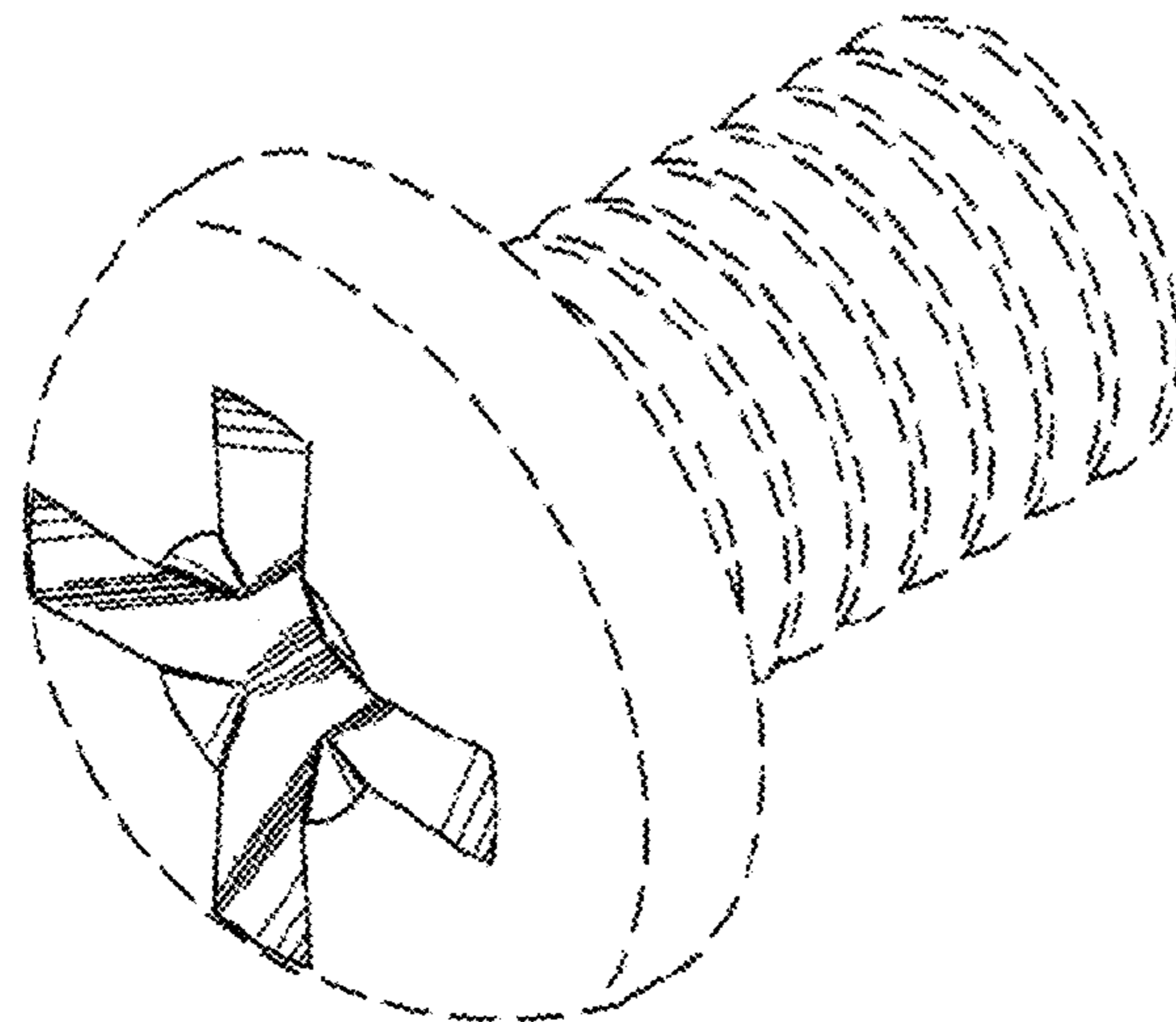


FIG. 2

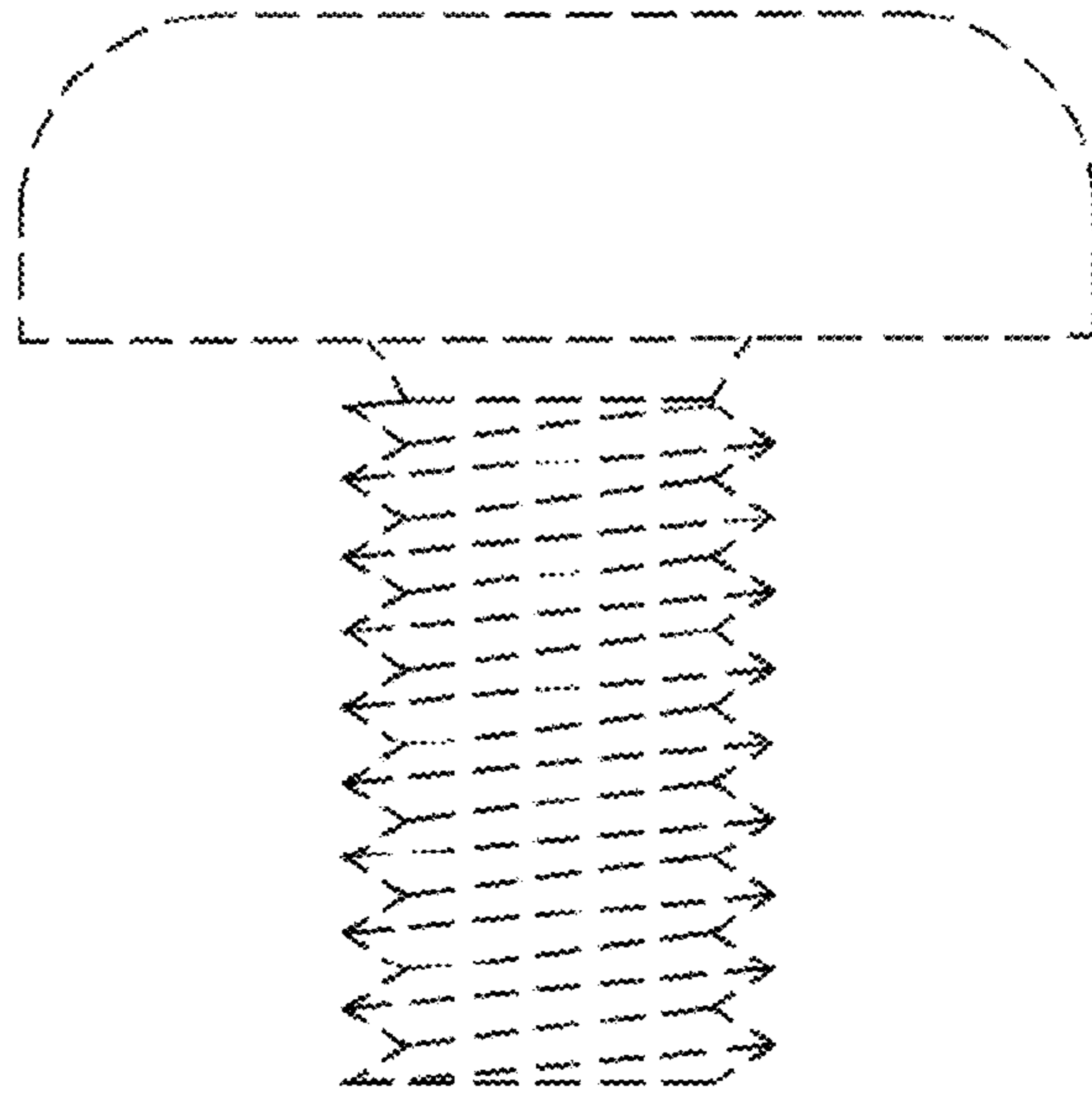


FIG. 3

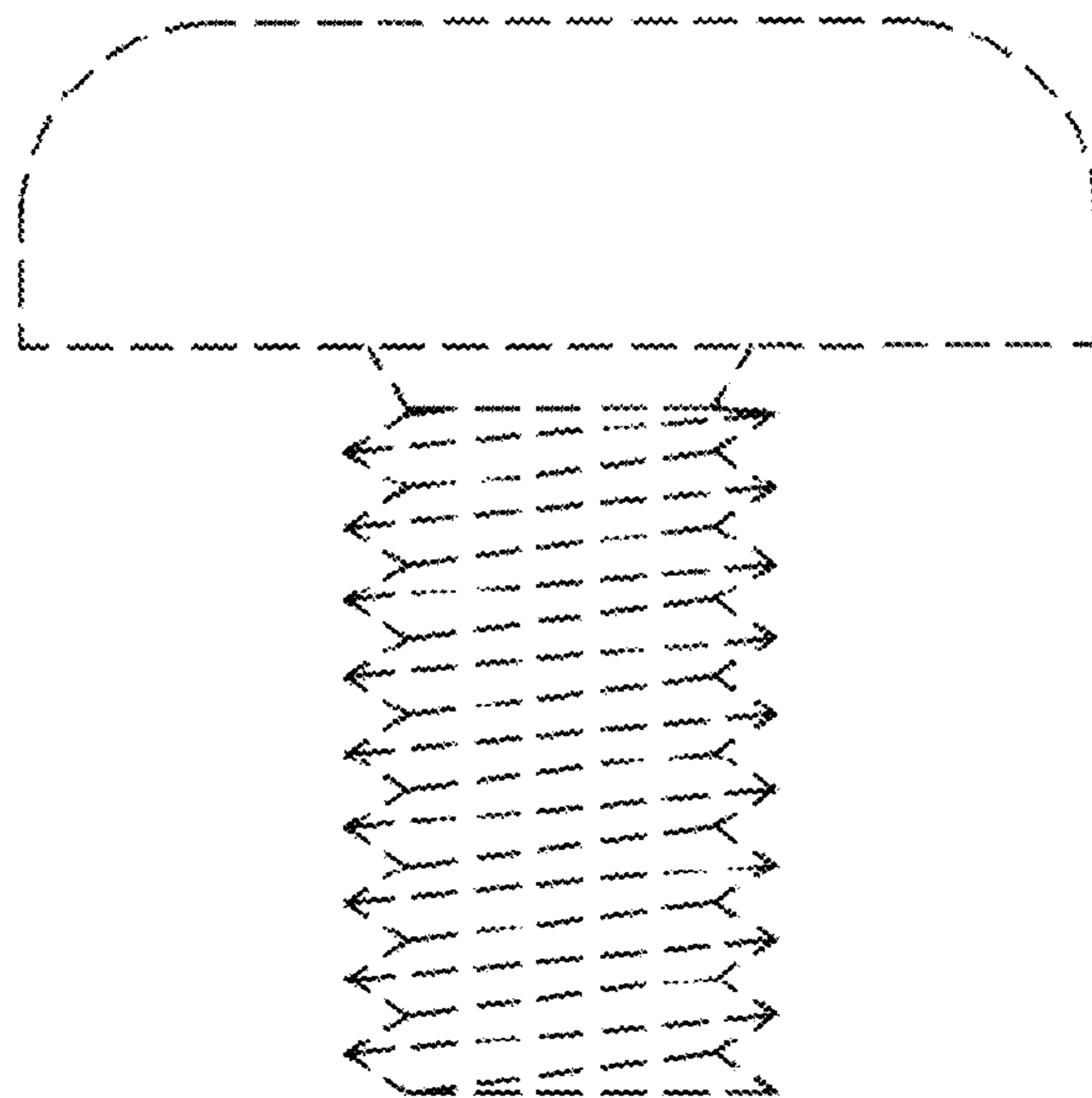


FIG. 4

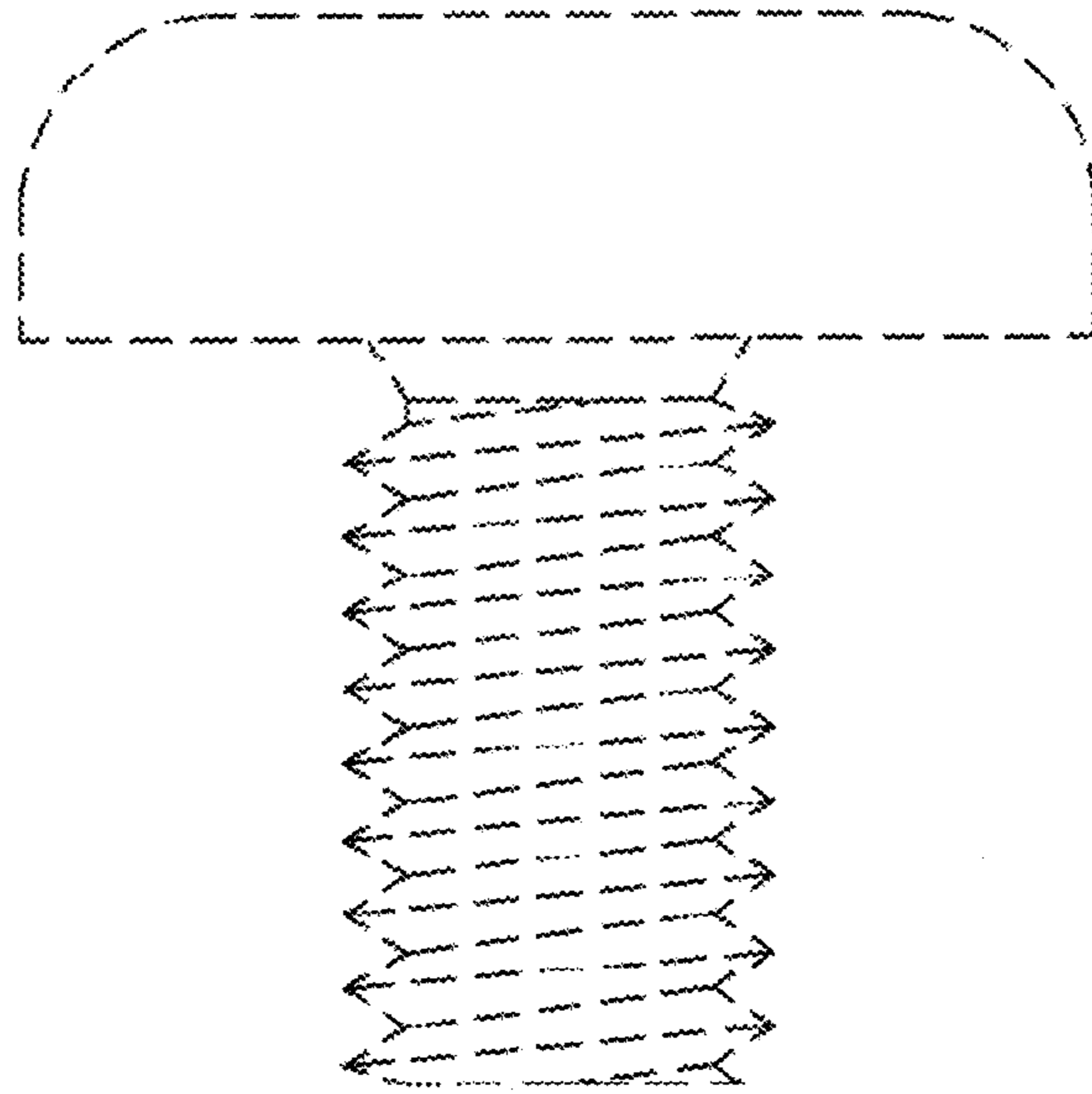


FIG. 5

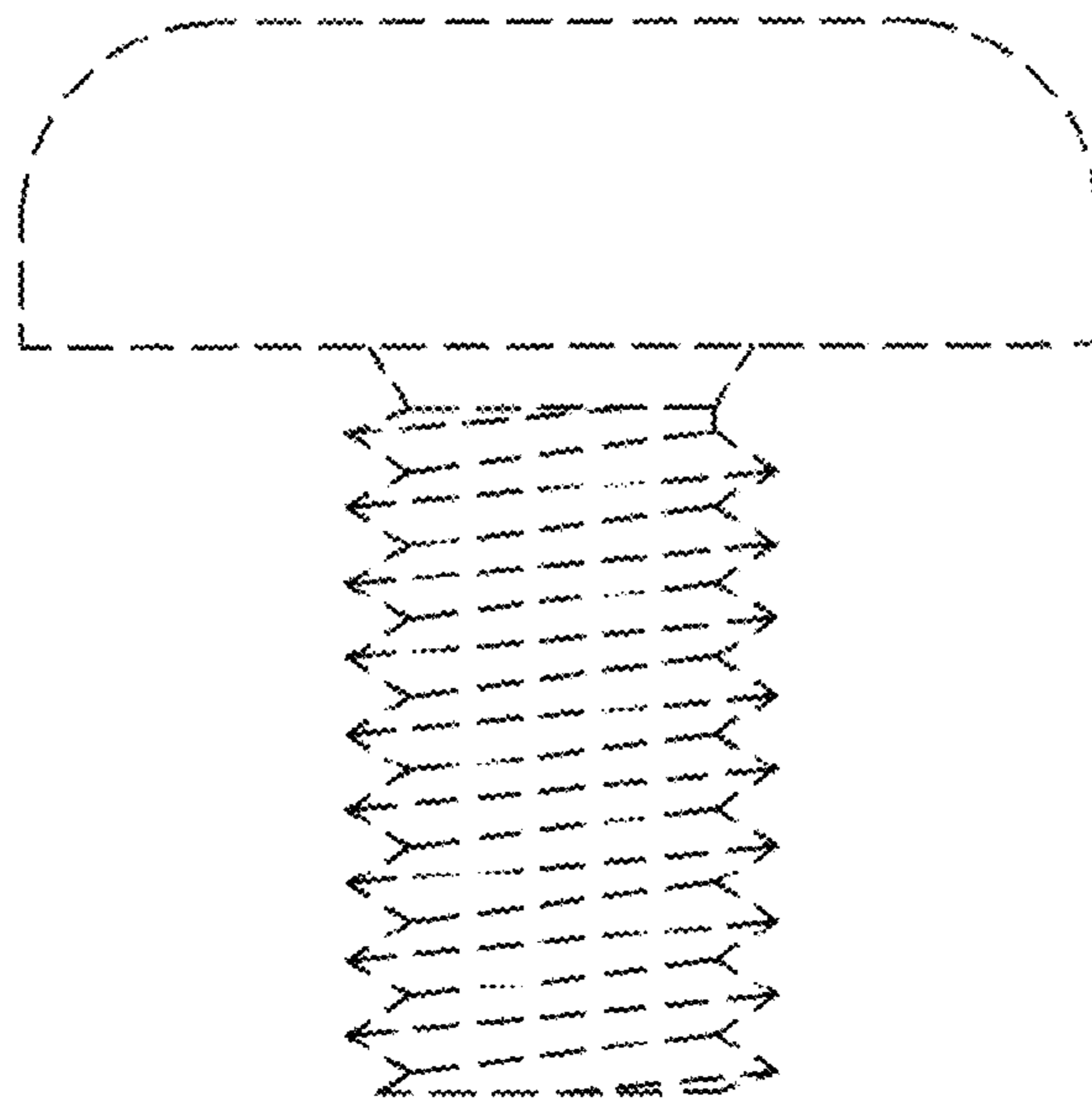


FIG. 6

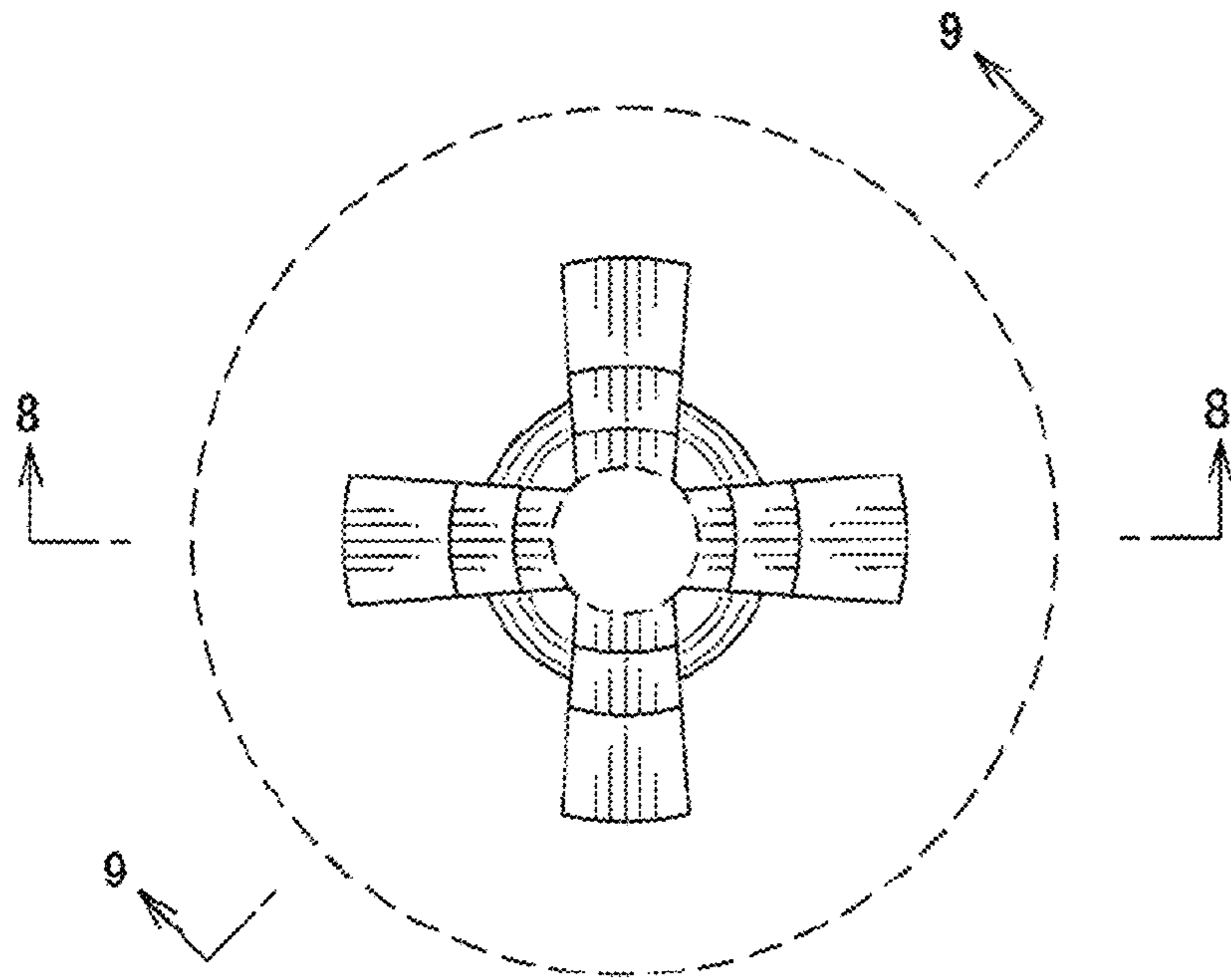


FIG. 7

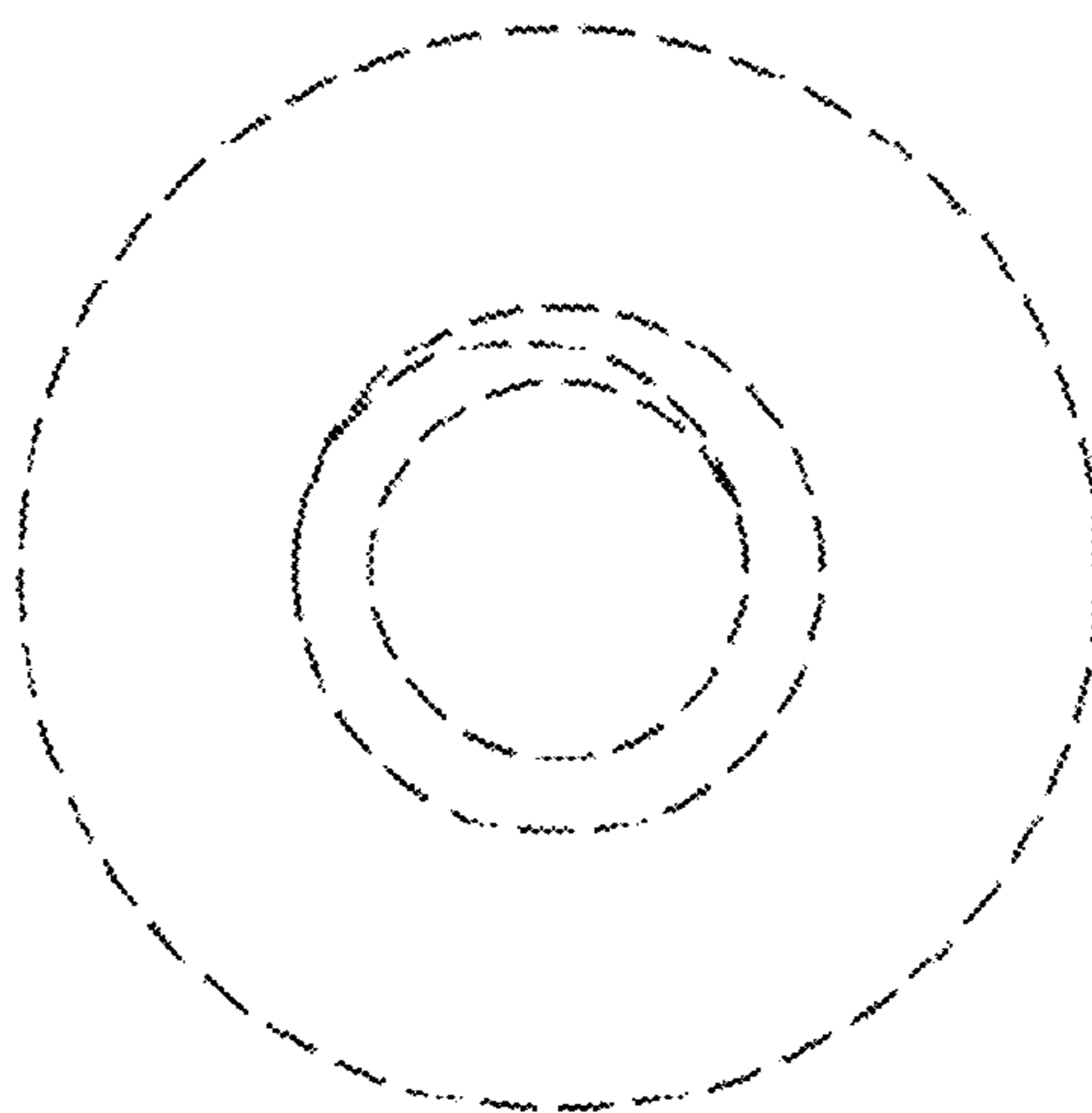


FIG. 8

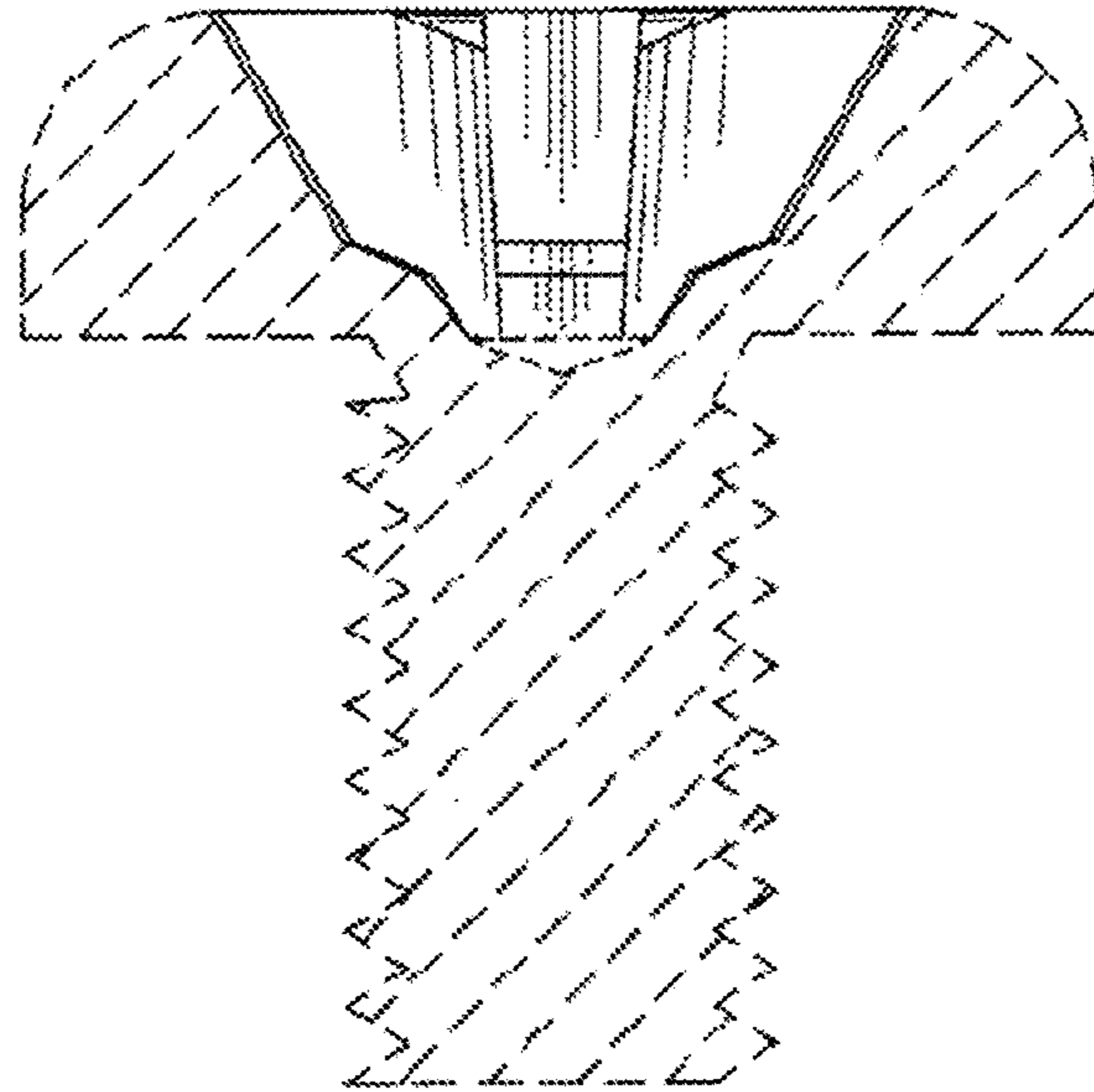


FIG. 9

