



US00D889946S

(12) **United States Design Patent**
Pham

(10) **Patent No.:** **US D889,946 S**
(45) **Date of Patent:** **** Jul. 14, 2020**

(54) **WALL-MOUNTED HANGER**
(71) Applicant: **CAD Precision Inc**, Kitchener (CA)
(72) Inventor: **Thai Duc Pham**, Kitchener (CA)
(**) Term: **15 Years**

12/44; F16B 12/46; F16B 5/0614; F16B 12/02; A47B 88/0055; E04F 11/1812; F16L 1/0246; A01G 31/001; A01G 9/02; A01G 9/083; A01G 9/12; A01G 9/024; A01G 25/14; A01G

(Continued)

(21) Appl. No.: **29/609,952**
(22) Filed: **Jul. 7, 2017**
(51) **LOC (12) Cl.** **08-05**
(52) **U.S. Cl.**
USPC **D8/373**

(56) **References Cited**

U.S. PATENT DOCUMENTS

D389,398 S * 1/1998 Scherer D8/353
5,782,039 A * 7/1998 Scherer E06B 9/04
160/222

(Continued)

(58) **Field of Classification Search**
USPC D8/373, 358, 359, 354, 71, 330, 336, D8/351, 356, 360.1, 363, 364, 367, 370, D8/372, 379, 381, 382, 395, 396; D6/349, 352; D9/426, 502, 750; D10/72, 73, 89; D11/79, 93; D13/103, D13/107, 152, 183; D19/67; D21/673, D21/674, 675, 839, 840; D25/19, 62, 68, D25/69; D26/40, 49; D29/122, 124; D30/153, 155
CPC B65H 75/40; B65H 75/4407; B65H 75/4471; B65H 2701/34; B65H 2701/32; B65H 2511/142; B65H 29/008; B65H 2701/33; B65H 54/585; B65H 51/22; B65H 75/08; B65H 75/02; B65H 2301/41485; B65H 75/4468; B65H 2301/414323; B65H 2301/414325; B65H 16/02; B65H 2301/4131; B65H 75/403; B65H 75/441; B65D 85/66; B65D 85/67; B66D 3/006; B66D 3/18; B66D 3/26; B66D 3/02; B66D 3/14; B63B 21/18; B63B 21/26; B65B 57/005; A61G 7/1051; A61G 7/1061; B66B 11/08; A62C 33/04; B08B 2203/0276; B21C 47/28; H02G 11/02; A01K 89/003; H04M 1/15; A01D 34/822; A47L 9/26; E05C 19/10; E05C 17/50; E05C 3/045; E05C 3/30; E05C 19/02; E05C 19/026; A47G 25/0614; A47G 25/18; A47G 25/32; A47G 7/047; A47G 7/045; A47G 7/042; A47G 7/044; F16B

OTHER PUBLICATIONS

CAD Precision Inc. Recycle/Compost Bin Hanging Bracket, the EZ bin brac (for Wide lip bins), posted as early as Oct. 21, 2018, [retrieved Oct. 15, 2019]. Retrieved from Internet, <URL: <https://www.amazon.ca/CAD-Precision-Inc-Recycle-Compost/product-reviews/B07G2QVJSN> >.*

Primary Examiner — Shannon W Morgan
Assistant Examiner — Kristin E Reed
(74) *Attorney, Agent, or Firm* — Brunet & Co. Ltd.; Robert Brunet; Hans Koenig

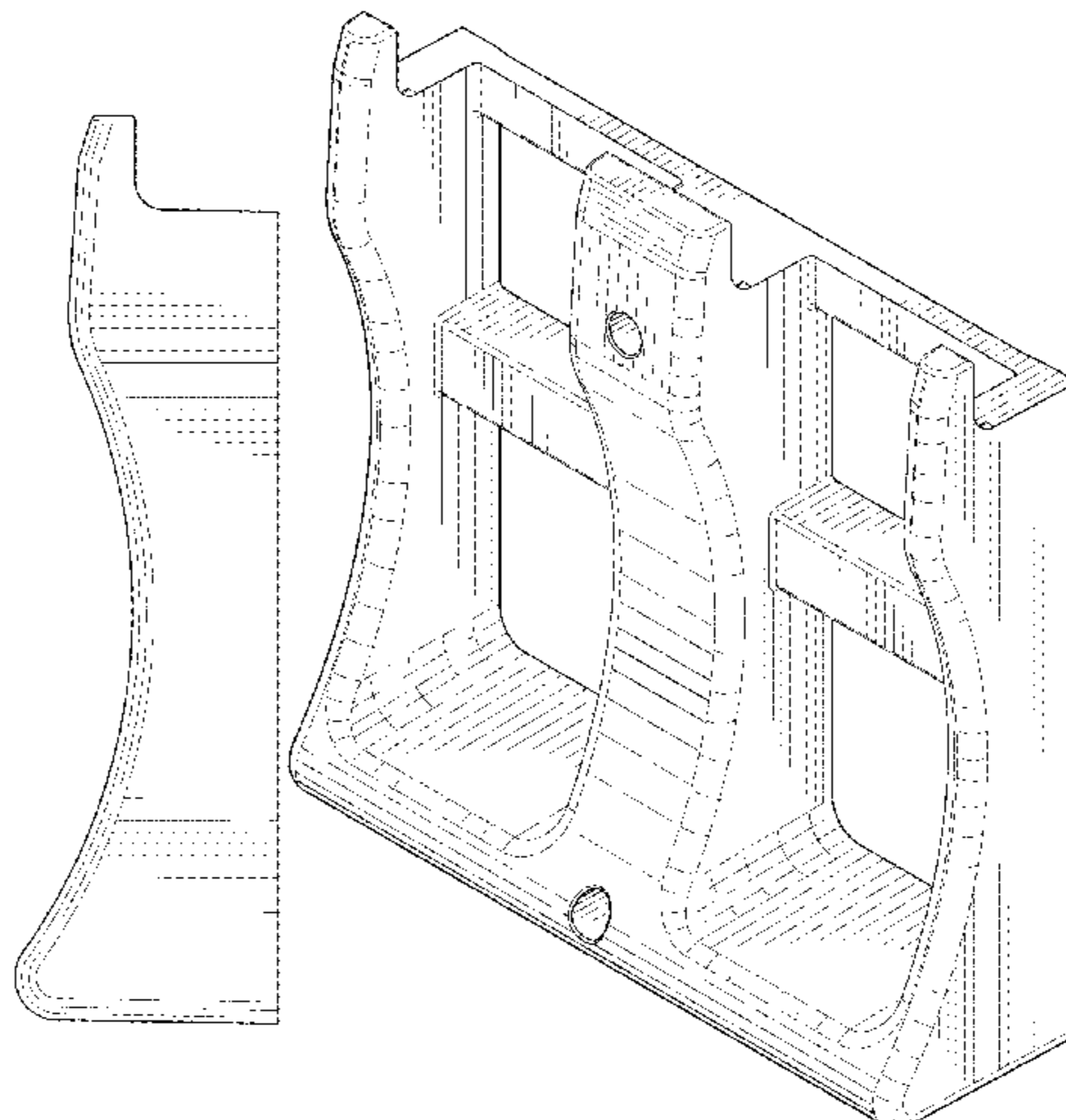
(57) **CLAIM**

I claim the ornamental design for a wall-mounted hanger, as shown and described.

DESCRIPTION

FIG. 1 is a front view of the wall-mounted hanger; FIG. 2 is a rear view thereof; FIG. 3 is a left side view thereof; FIG. 4 is a right side view thereof; FIG. 5 is a top view thereof; FIG. 6 is a bottom view thereof; FIG. 7 is a front perspective view thereof; and, FIG. 8 is a rear perspective view thereof.

1 Claim, 6 Drawing Sheets



(58) **Field of Classification Search**

CPC 27/001; A01G 9/042; A01G 27/005; H04R
1/1033; Y10S 24/909; E04B 1/2612;
E04B 2001/2415; E04B 1/5818; E04B
1/5831

See application file for complete search history.

(56) **References Cited**

U.S. PATENT DOCUMENTS

D556,545 S *	12/2007	Titas	D8/354
D593,844 S *	6/2009	Petzl	D8/356
D640,125 S *	6/2011	Rosenkranz	D8/373
D738,050 S *	9/2015	Kostal	D29/122
D760,579 S *	7/2016	Tonthat	D8/354
D794,432 S *	8/2017	Crawley	D8/373
D800,612 S *	10/2017	Kurniawan	D12/162
D809,372 S *	2/2018	Palsgaard	D8/388
D826,920 S *	8/2018	Wellard	D14/258
2006/0118771 A1 *	6/2006	Stein	E01F 13/02 256/24
2007/0114319 A1 *	5/2007	Anderson	B65H 75/40 242/395

* cited by examiner

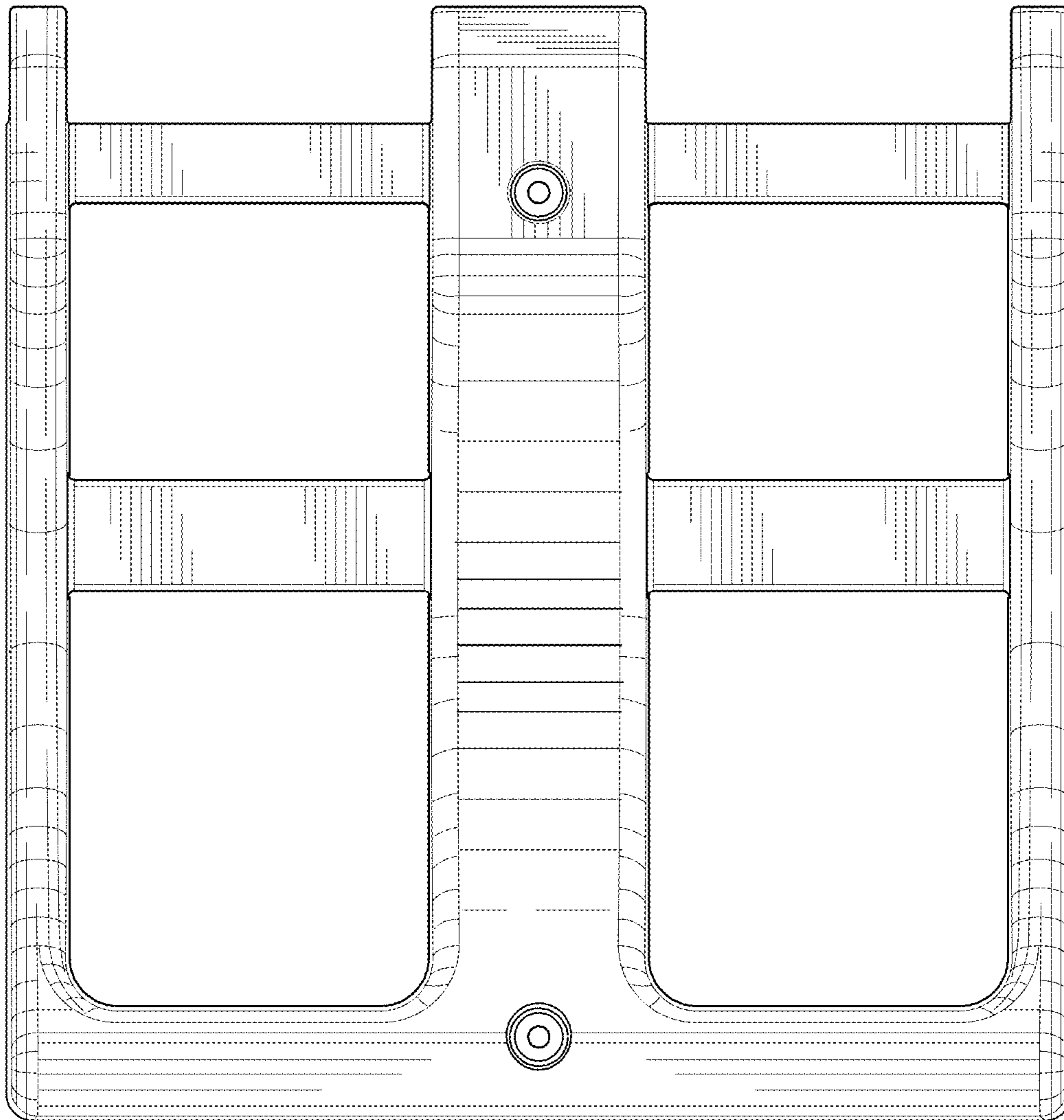


FIG.1

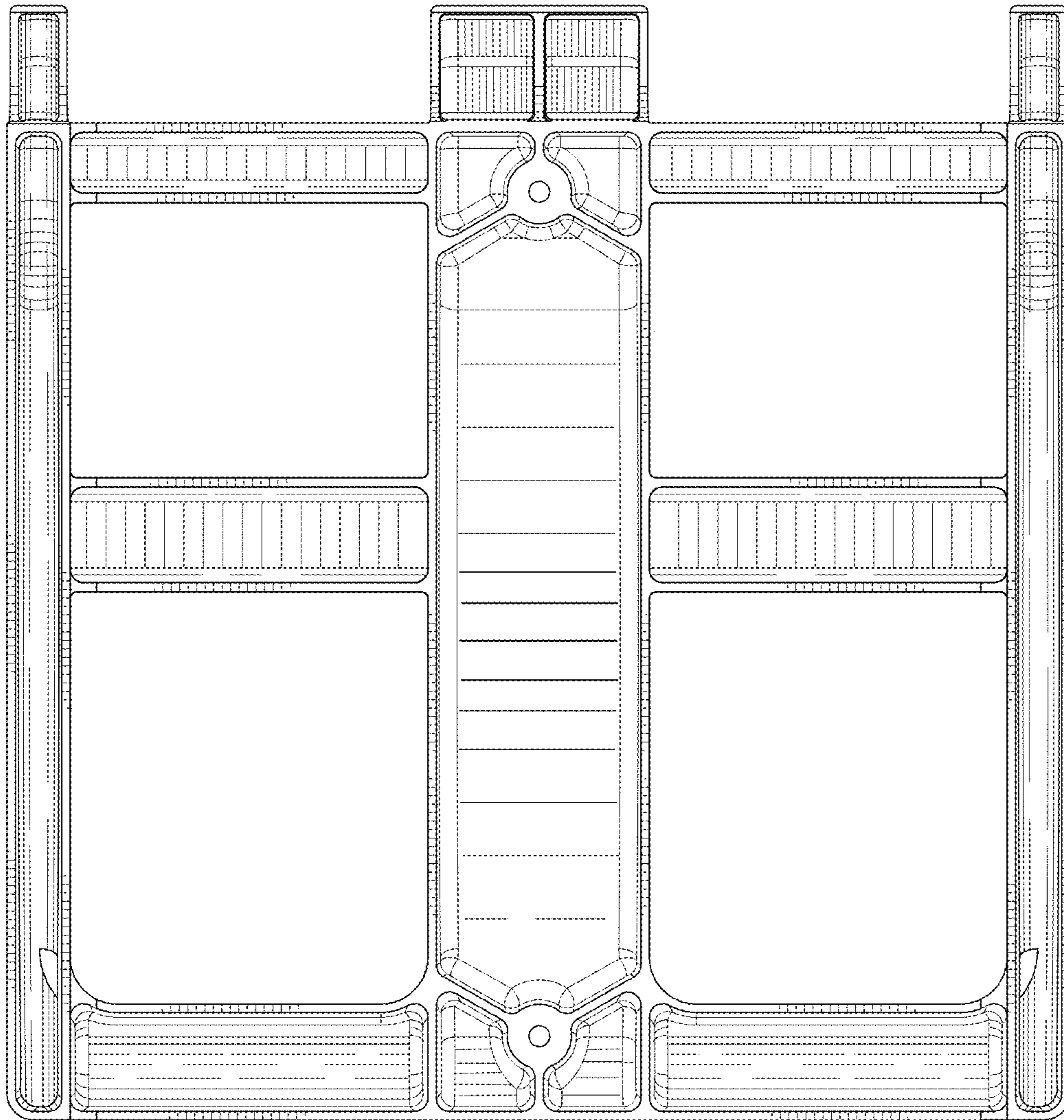


FIG.2

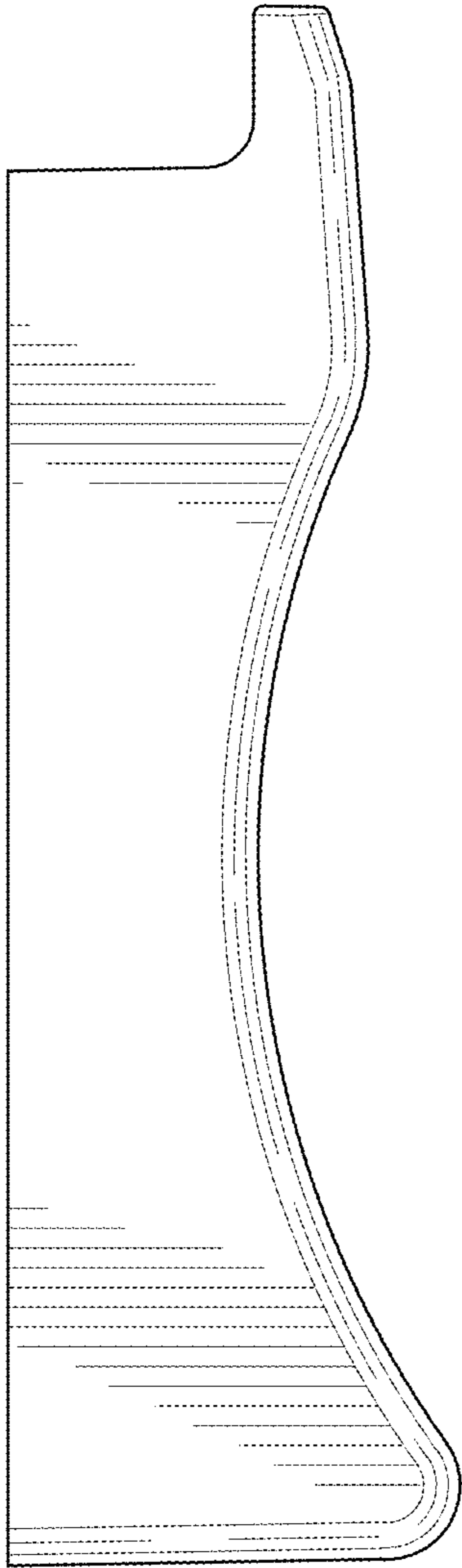


FIG.3

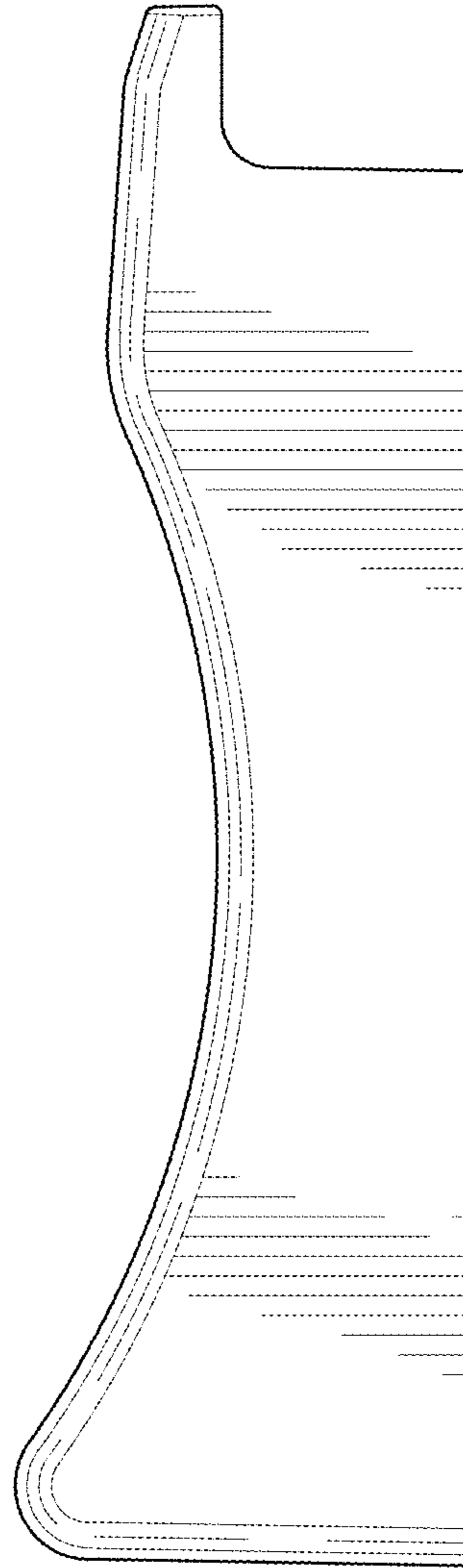


FIG.4

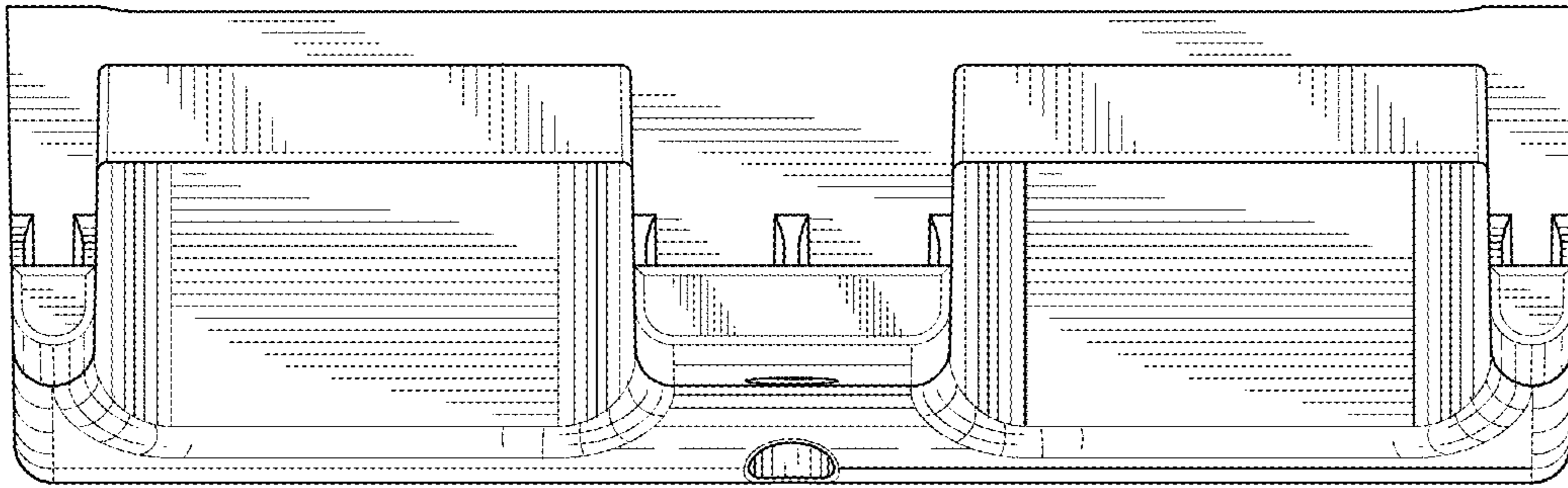


FIG. 5

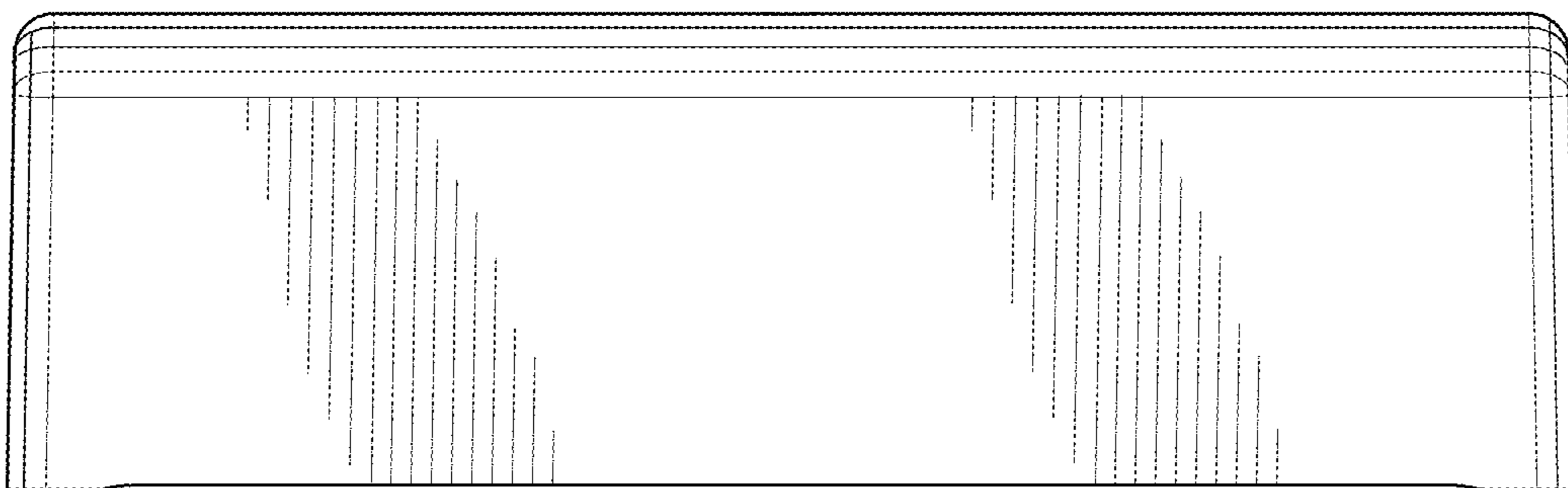


FIG. 6

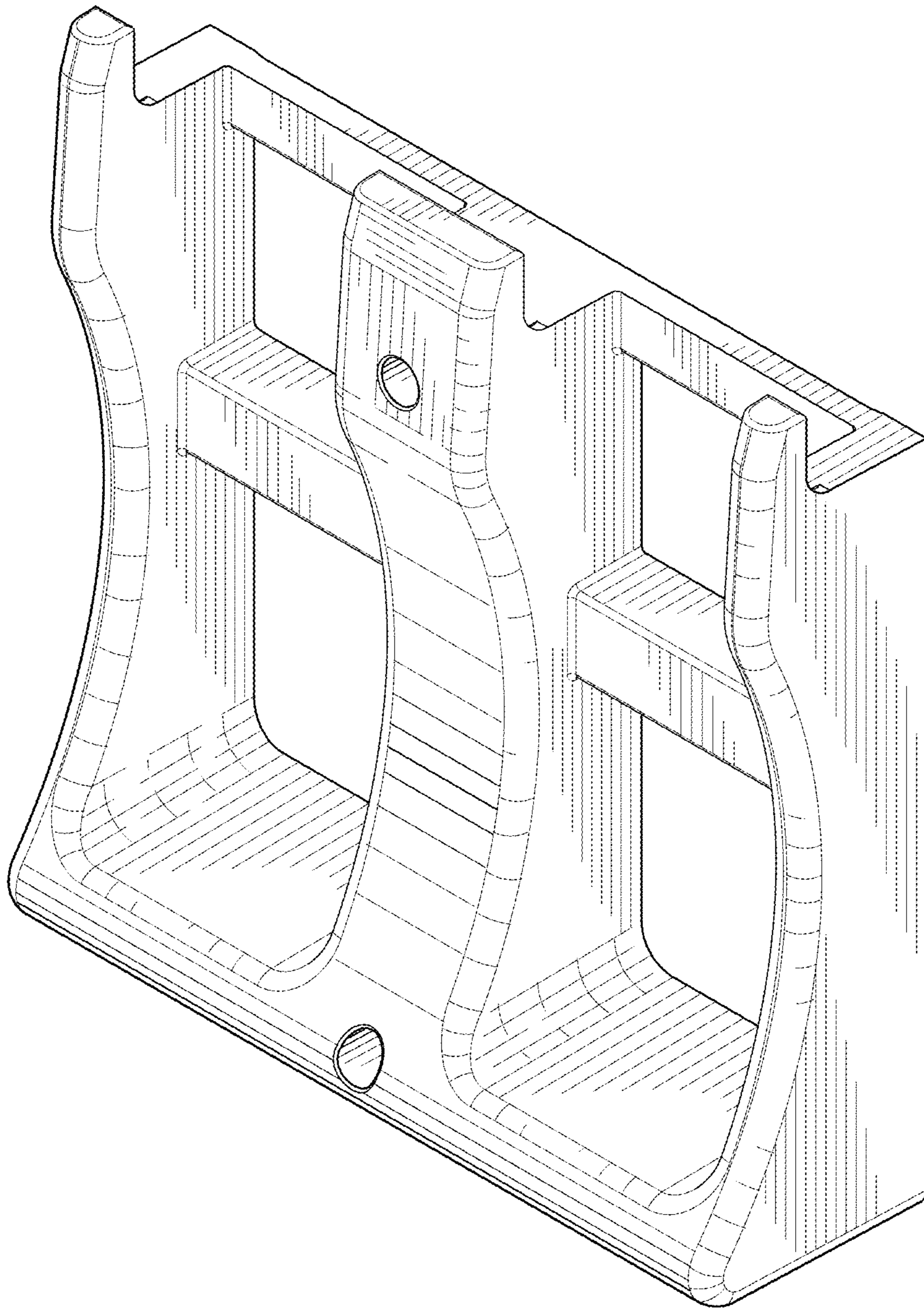


FIG.7

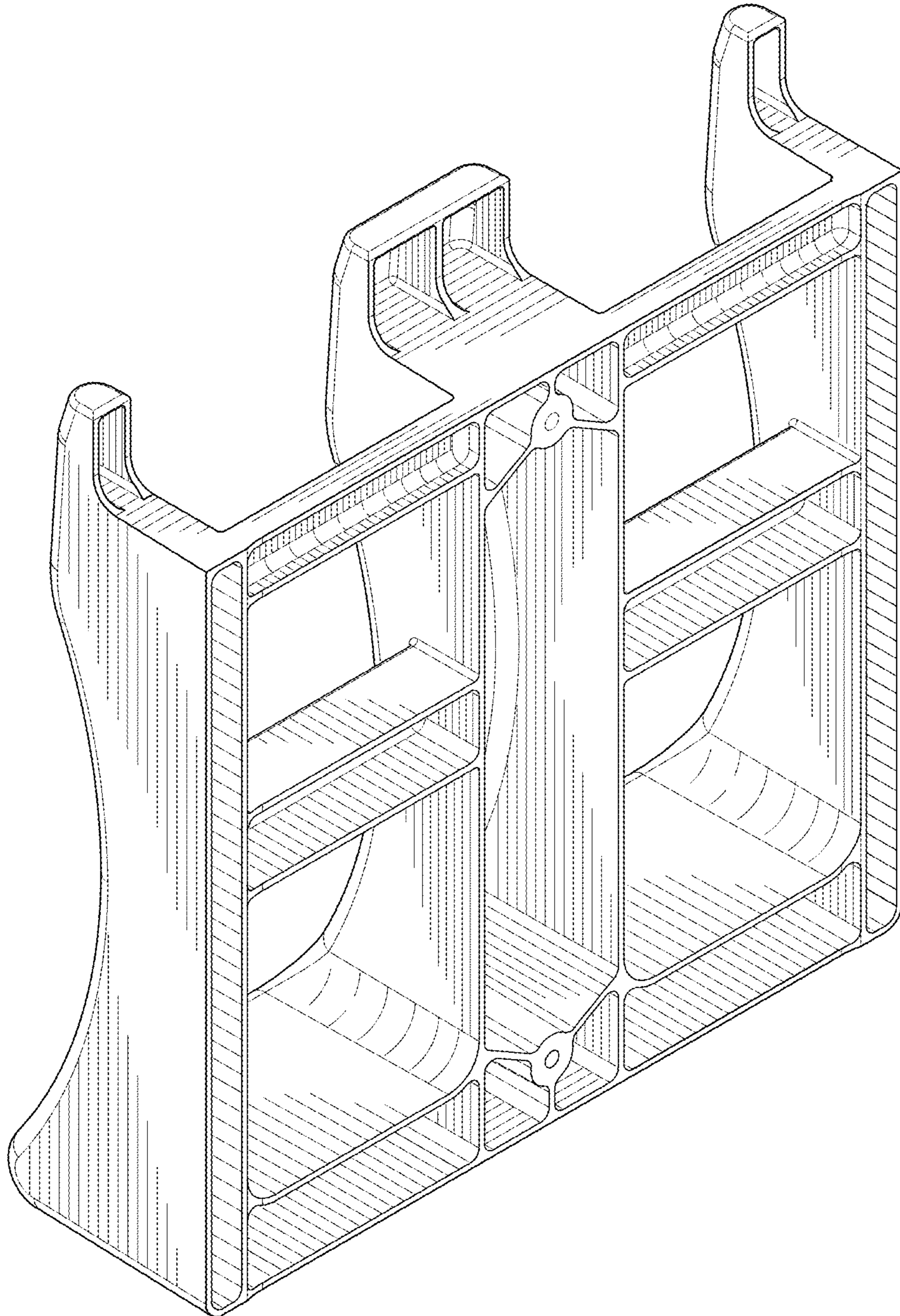


FIG.8