



US00D889944S

(12) **United States Design Patent**
De Biasi

(10) **Patent No.:** **US D889,944 S**

(45) **Date of Patent:** **** Jul. 14, 2020**

(54) **HOSE WINDING DEVICE**

A62C 33/04; B08B 2203/0276; B21C 47/28; H02G 11/02; A01K 89/003;

(Continued)

(71) Applicant: **CLABER S.p.A.**, Fiume Veneto (IT)

(72) Inventor: **Roberto De Biasi**, Pordenone (IT)

(56)

References Cited

(73) Assignee: **CLABER S.P.A.**, Fiume Veneto (IT)

U.S. PATENT DOCUMENTS

(**) Term: **15 Years**

D338,610 S * 8/1993 Johansson D8/358
D377,447 S * 1/1997 Blye D8/358

(Continued)

(21) Appl. No.: **29/640,942**

(22) Filed: **Mar. 19, 2018**

OTHER PUBLICATIONS

(30) **Foreign Application Priority Data**

Sep. 19, 2017 (EM) 004361988

(51) **LOC (12) Cl.** **08-05**

(52) **U.S. Cl.**
USPC **D8/358**

(58) **Field of Classification Search**

USPC D08/373, 358, 359, 354, 71, 330, 336,
D08/351, 356, 360.1, 363, 364, 367, 370,
D08/372, 379, 381, 382, 395, 396;
D06/349, 352; D09/426, 502, 750;
D10/72, 73, 89; D11/79, 93; D13/103,
D13/107; D19/67; D21/673, 674, 675,
D21/839, 840; D25/19, 62, 68, 69;
D26/40, 49; D29/122, 124; D30/153,
D30/155

CPC B65H 75/40; B65H 75/4407;
B65H 75/4471; B65H 2701/34; B65H
2701/32; B65H 2511/142; B65H 29/008;
B65H 2701/33; B65H 54/585; B65H
51/22; B65H 75/08; B65H 75/02; B65H
2301/41485; B65H 75/4468; B65H
2301/414323; B65H 2301/414325; B65H
16/02; B65H 2301/4131; B65H 75/403;
B65H 75/441; B65D 85/66; B65D 85/67;
B66D 3/006; B66D 3/18; B66D 3/26;
B66D 3/02; B66D 3/14; B63B 21/18;
B63B 21/26; B65B 57/005; A61G
7/1051; A61G 7/1061; B66B 11/08;

Flexzilla Retractable Enclosed Plastic Air Hose Reel, 3/8 in. x50 ft, Heavy Duty, Lightweight, Hybrid, ZillaGreen—L8250FZ, posted Jun. 25, 2012, [retrieved Jan. 21, 2019]. Retrieved from Internet, <URL: <https://www.amazon.com/Flexzilla-Retractable-Enclosed-Lightweight-ZillaGreen/dp/B007QV1RLM> >.*

(Continued)

Primary Examiner — Shannon W Morgan

Assistant Examiner — Kristin E Reed

(74) *Attorney, Agent, or Firm* — Jacobson Holman, PLLC.

(57)

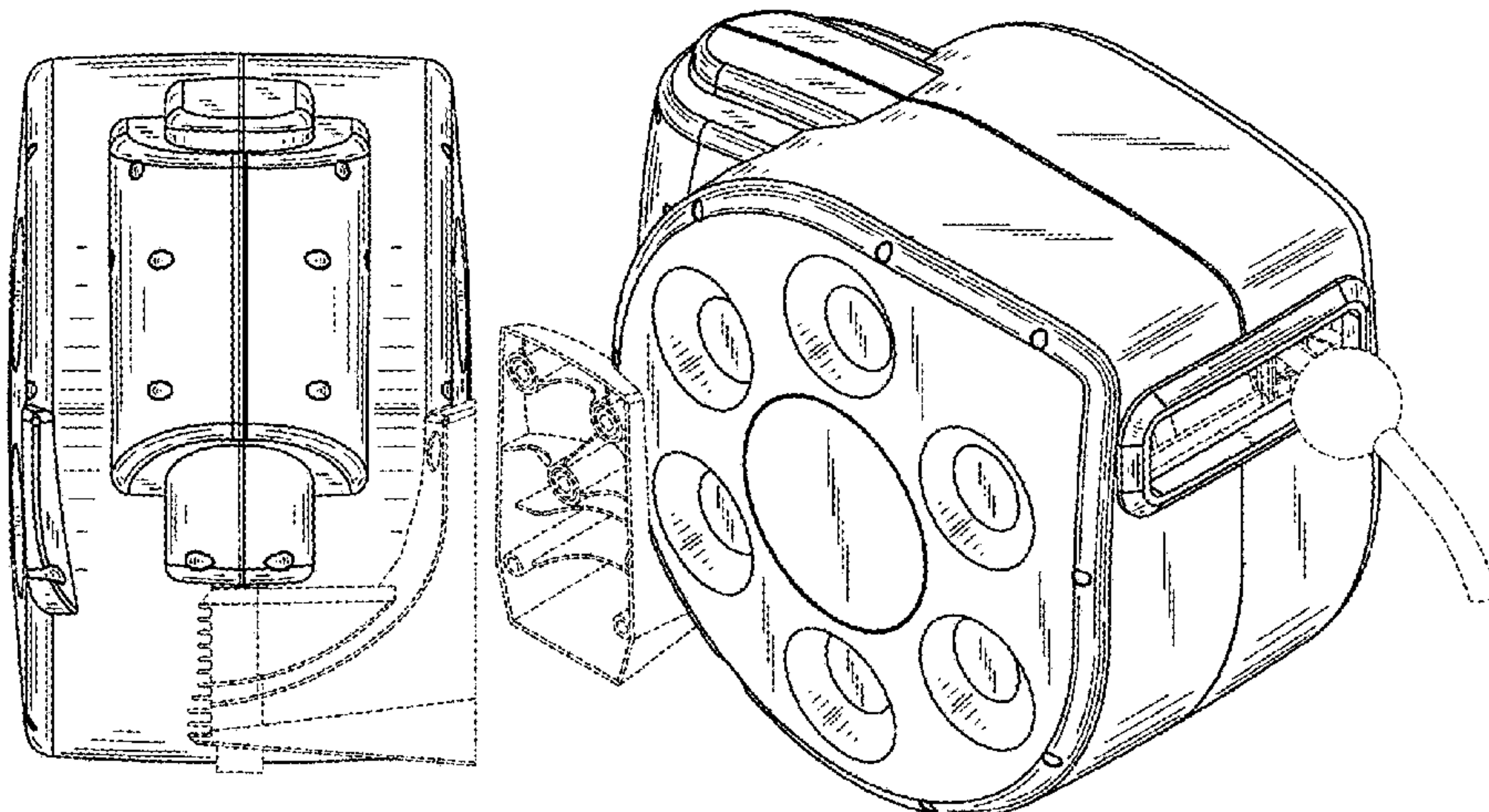
CLAIM

I claim the ornamental design for a hose winding device, as shown and described.

DESCRIPTION

FIG. 1 shows a front elevational view of a hose winding device showing the new design;
FIG. 2 shows a bottom view thereof;
FIG. 3 shows a rear elevational view thereof;
FIG. 4 shows a right elevational view thereof;
FIG. 5 shows a left elevational view thereof;
FIG. 6 shows a top plan view thereof; and,
FIG. 7 shows a front perspective view thereof.

(Continued)



The broken lines shown in the figures depict portions of the hose winding device that forms no part of the claimed design.

1 Claim, 7 Drawing Sheets

(58) Field of Classification Search

CPC H04M 1/15; A01D 34/822; A47L 9/26;
 E05C 19/10; E05C 17/50; E05C 3/045;
 E05C 3/30; E05C 19/02; E05C 19/026;
 A47G 25/0614; A47G 25/18; A47G
 25/32; A47G 7/047; A47G 7/045; A47G
 7/042; A47G 7/044; F16B 12/44; F16B
 12/46; F16B 5/0614; F16B 12/02; E04B
 1/2612; E04B 2001/2415; E04B 1/5818;
 E04B 1/5831; A47B 88/0055; E04F
 11/1812; F16L 1/0246; A01G 9/024;
 A01G 25/14; A01G 27/001; A01G 9/042;
 A01G 27/005; A01G 31/001; A01G 9/02;
 A01G 9/083; A01G 9/12; H04R 1/1033;
 Y10S 24/909

See application file for complete search history.

(56) References Cited

U.S. PATENT DOCUMENTS

D393,515 S * 4/1998 Petterson D34/33
 6,416,009 B1 * 7/2002 Iacofano B65H 75/38
 242/384.7

D476,879 S * 7/2003 Chu D8/358
 D491,444 S * 6/2004 Nicholls D8/358
 D561,568 S * 2/2008 Spadotto B65H 75/40
 D8/359
 D587,410 S * 2/2009 Wolner D29/124
 D650,952 S * 12/2011 Kaneko D30/153
 D653,970 S * 2/2012 Robinson D10/72
 D716,676 S * 11/2014 Tang D10/72
 D788,611 S * 6/2017 Anderson D10/72
 D794,429 S * 8/2017 Wang D8/359

OTHER PUBLICATIONS

SereneLife Retractable Garden Hose with Mountable Auto Rewind Reel Box Housing & 7 Pattern Water Spray (SLWHR65), posted as early as Jun. 18, 2017, [retrieved Jan. 21, 2019]. Retrieved from Internet, <URL: <https://www.amazon.com/SereneLife-Retractable-Mountable-Housing-SLWHR65/dp/B071DT5J4G> >.*

Good Quanlity [sic] Lightweight PU Tube Pipe Hosereel Retractable Air Hose Reels, posted unknown, [retrieved Jan. 21, 2019]. Retrieved from Internet, <URL: <https://gtelec.en.made-in-china.com/product/yjdxFfwUkpWD/China-Good-Quanlity-Lightweight-PU-Tube-Pipe-Hosereel-Retractable-Air-Hose-Reels.html> >.*

Automatic Garden Hose Reel, German Designed to Really Last, posted as early as May 16, 2016, [retrieved Jan. 21, 2019]. Retrieved from Internet, <URL: <https://www.garrettwade.com/top-quality-automatic-garden-hose-reel.html> >.*

* cited by examiner

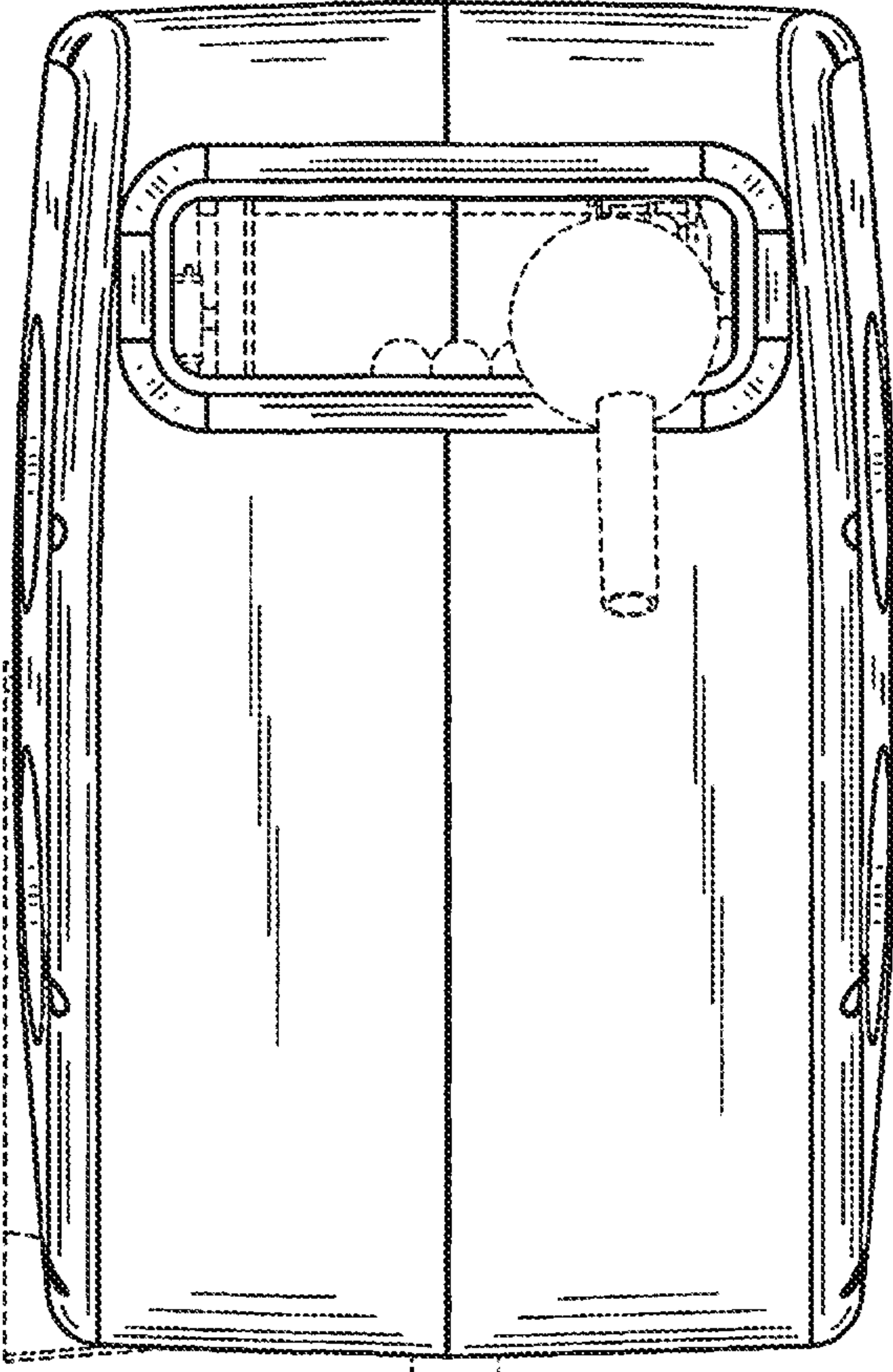


FIG. 1

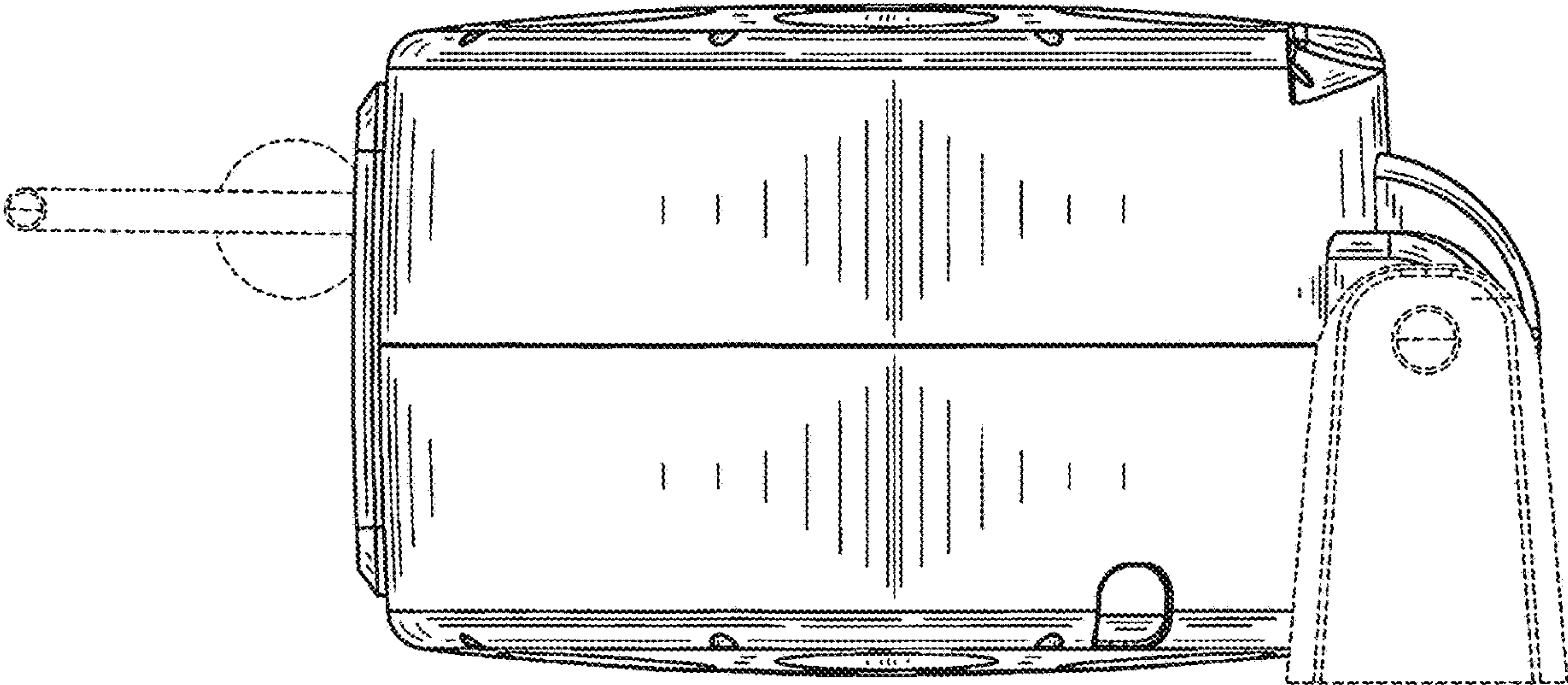


FIG. 2

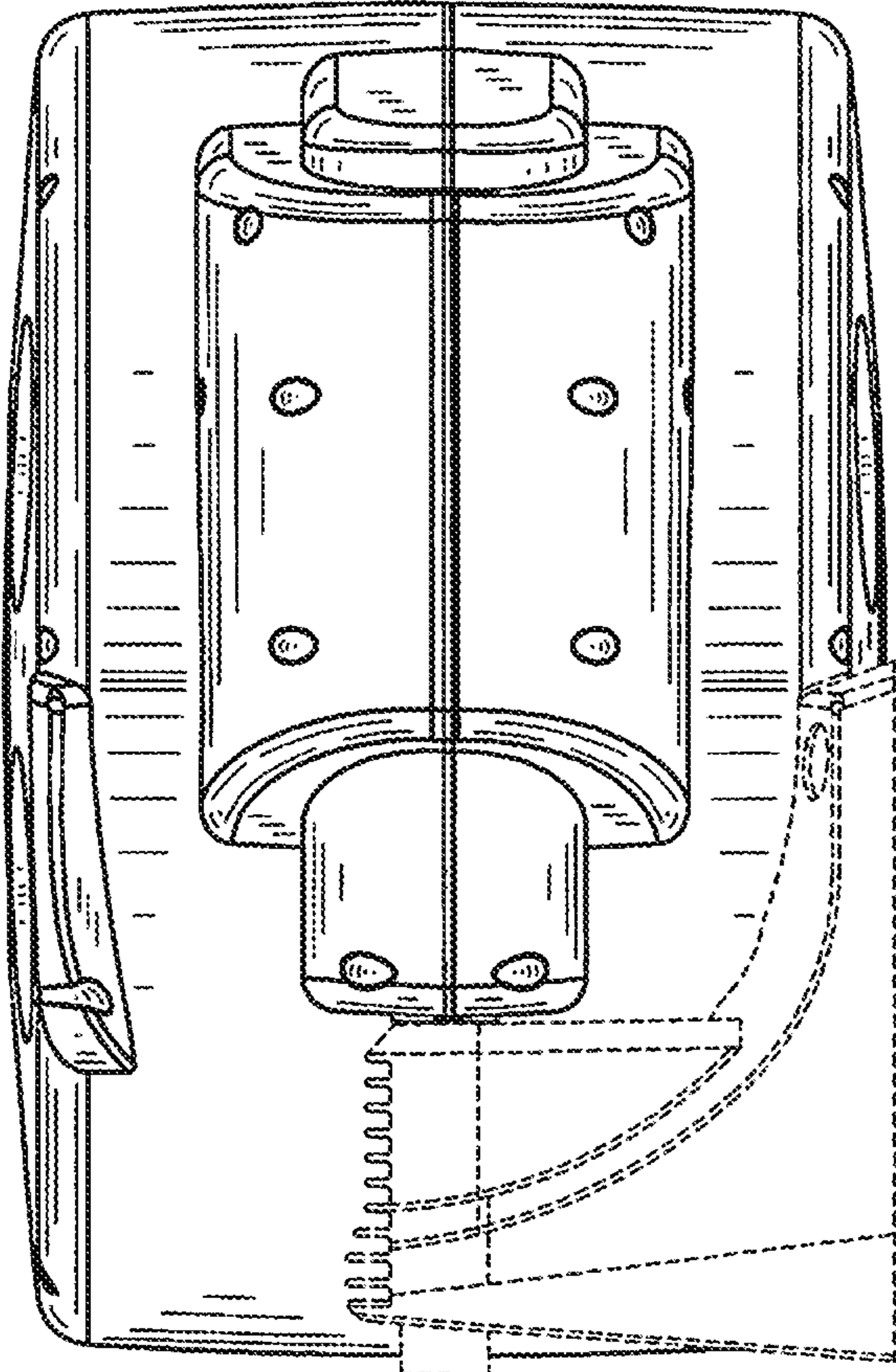


FIG. 3

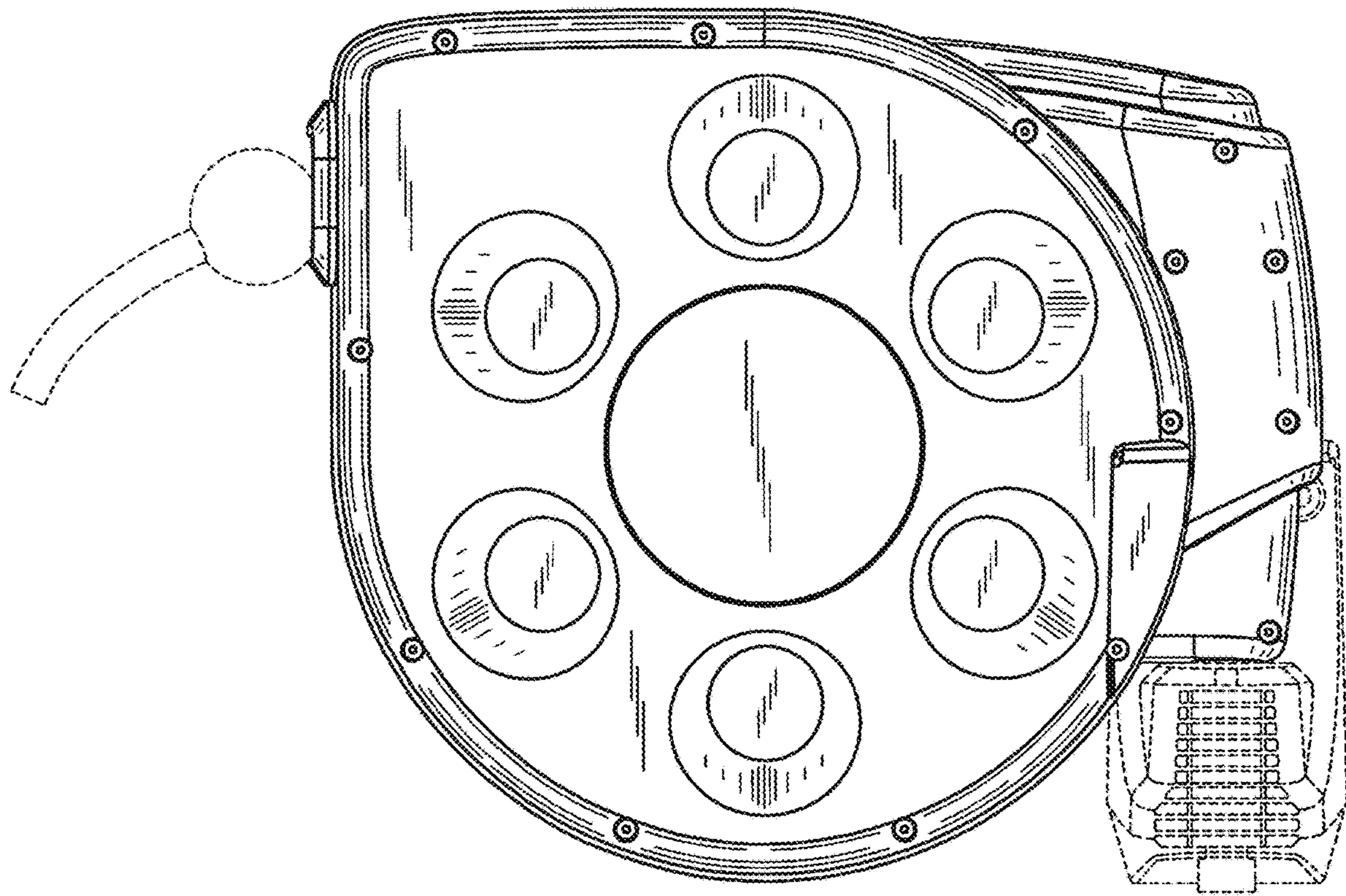


FIG. 4

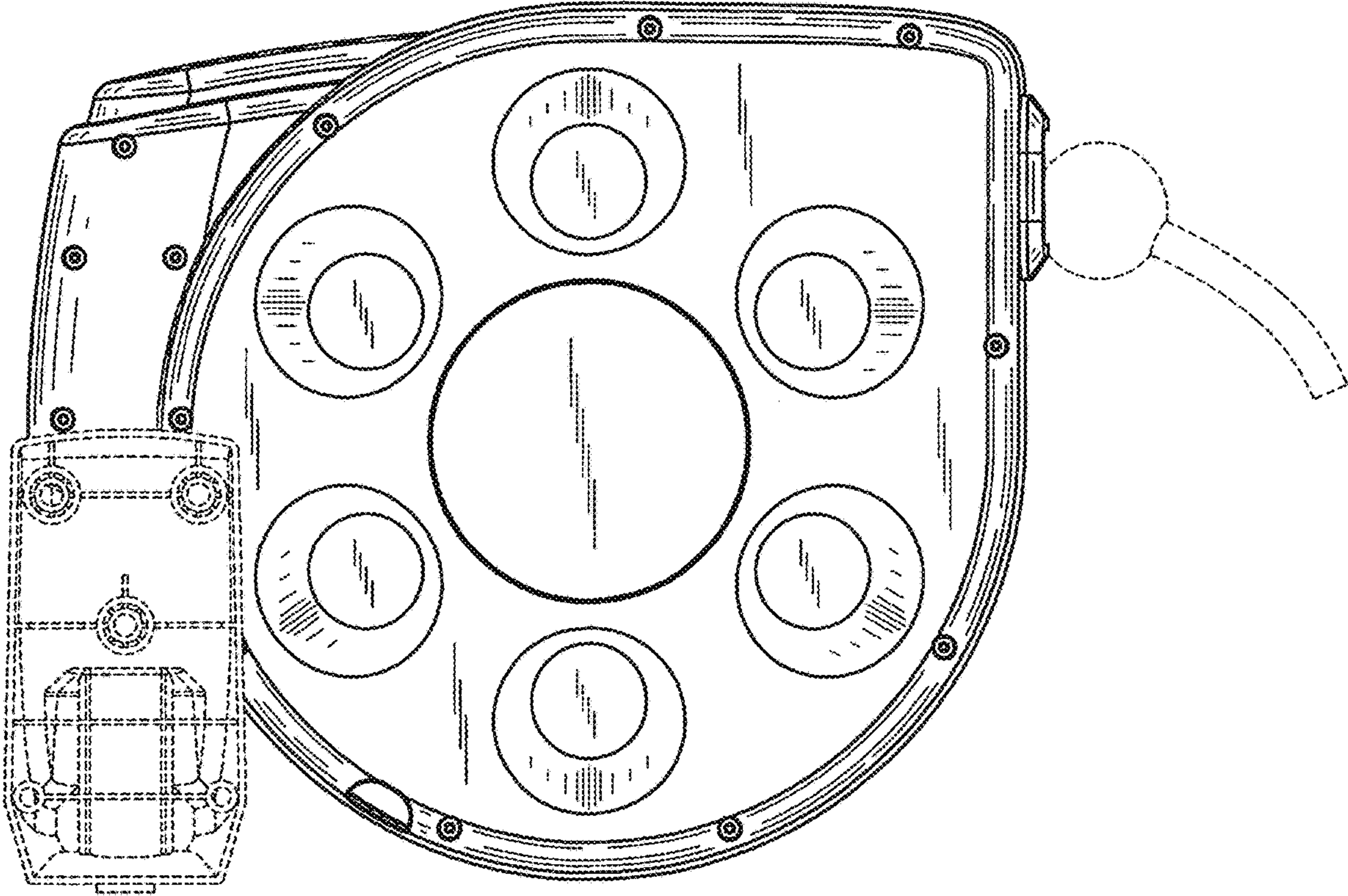


FIG. 5

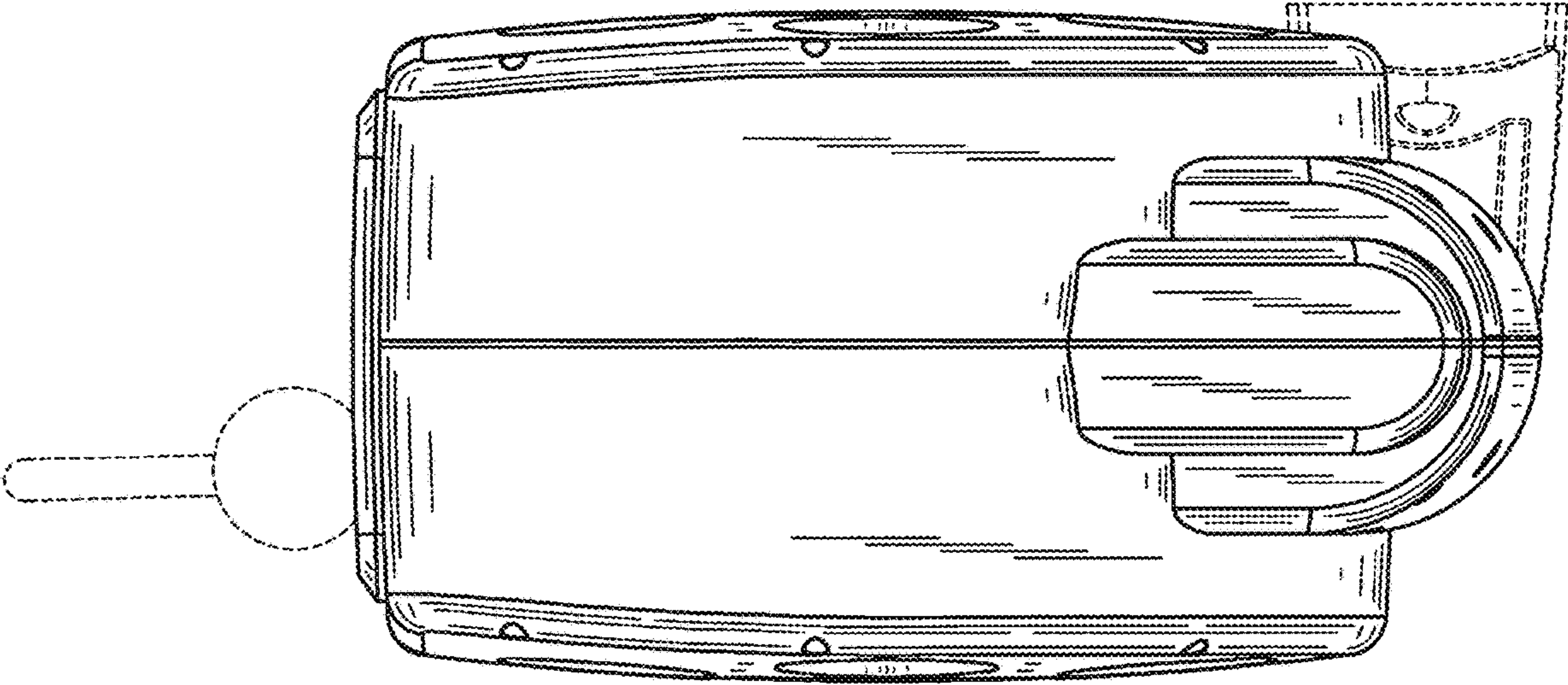


FIG. 6

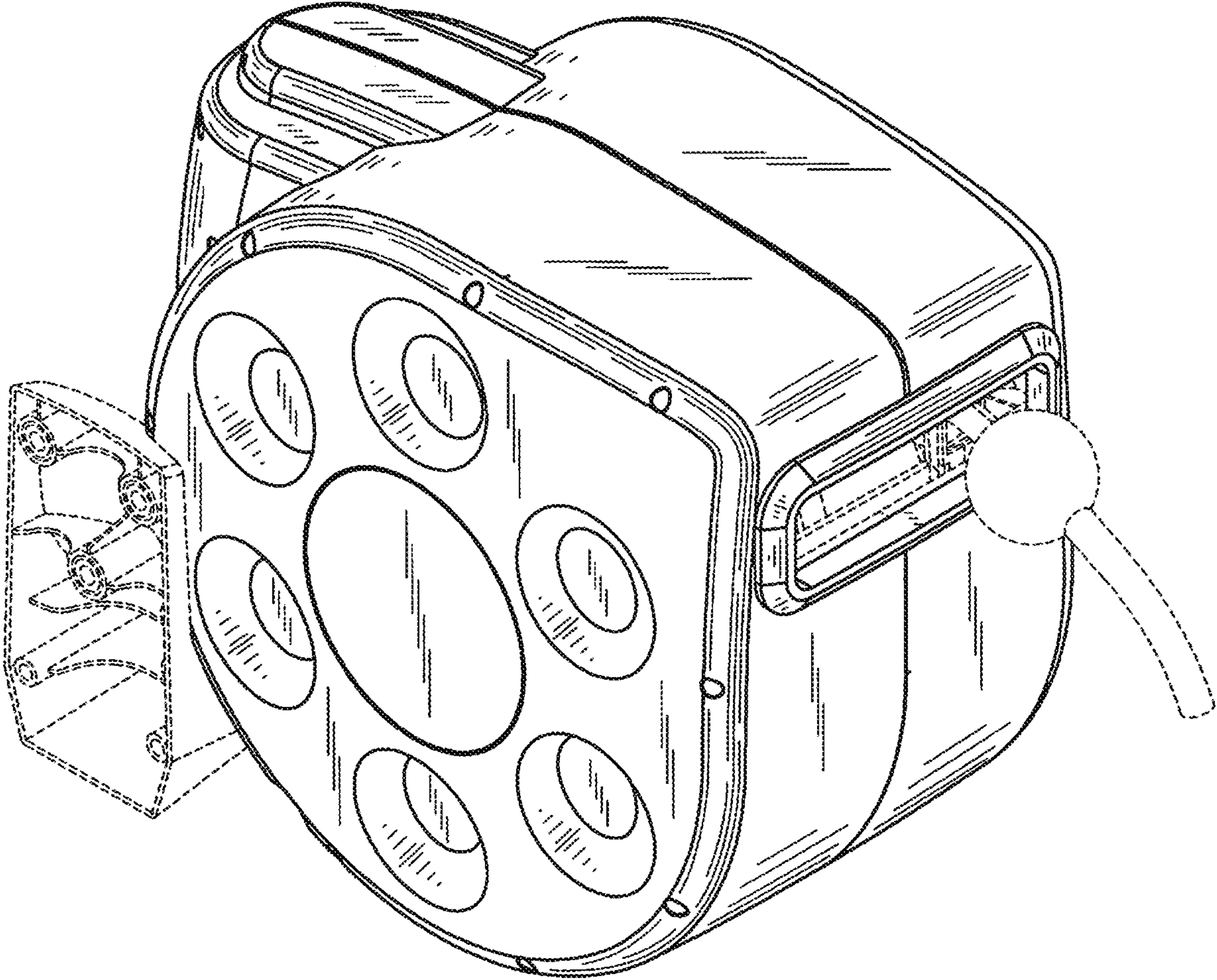


FIG. 7