



US00D889942S

(12) **United States Design Patent**
Codega et al.

(10) **Patent No.:** **US D889,942 S**

(45) **Date of Patent:** **** Jul. 14, 2020**

(54) **MOUNTAINEERING TOOL FOR ROPE CLIMBING**

D871,194 S * 12/2019 Watanabe D8/356
D871,894 S * 1/2020 Brett D8/356
2015/0027778 A1* 1/2015 Murao H02G 3/0481
174/72 A

(71) Applicant: **Camp S.p.A.**, Premana (IT)

* cited by examiner

(72) Inventors: **Antonio Codega**, Premana (IT);
Andrea Donadoni, Premana (IT)

Primary Examiner — Cynthia R Underwood

(73) Assignee: **CAMP S.p.A.**, Premana, Lecco (IT)

(74) *Attorney, Agent, or Firm* — Thomas|Horstemeyer,
LLP

(**) Term: **15 Years**

(21) Appl. No.: **29/674,884**

(57) **CLAIM**

(22) Filed: **Dec. 27, 2018**

The ornamental design for a mountaineering tool for rope climbing, as shown and described.

(51) **LOC (12) Cl.** **09-06**

(52) **U.S. Cl.**
USPC **D8/356**

DESCRIPTION

(58) **Field of Classification Search**
USPC D8/356, 354, 349; 361/826
CPC A63B 29/00; A63B 27/00; B63B 59/02;
B63B 21/045; H05K 5/0247
See application file for complete search history.

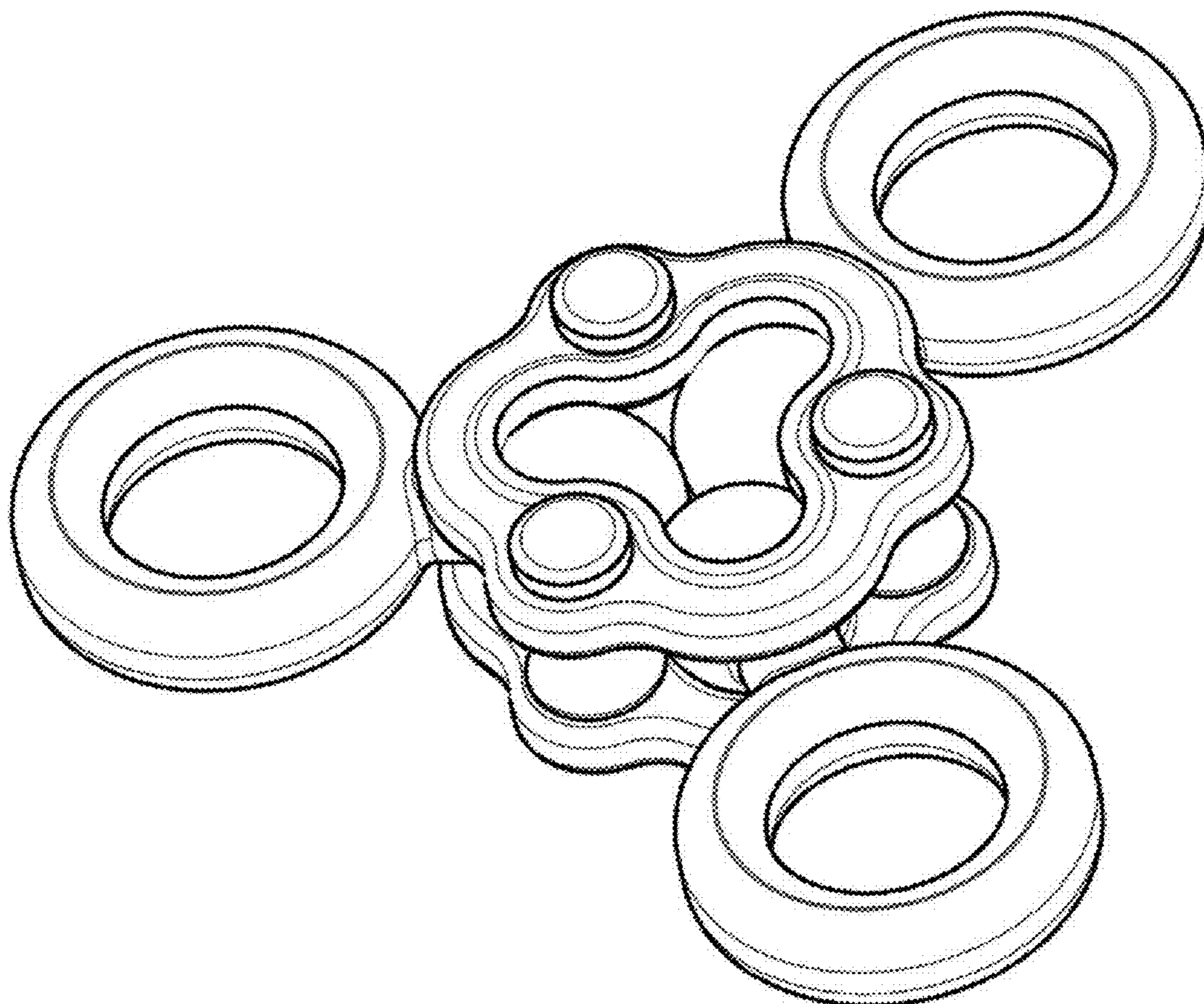
FIG. 1 is a perspective view of a mountaineering tool for rope climbing, showing our new design;
FIG. 2 is a side view thereof;
FIG. 3 is a side view thereof, from a side different than FIG. 2;
FIG. 4 is a side view thereof, from a different angle than FIG. 2;
FIG. 5 is another side view thereof; and,
FIG. 6 is a top view thereof.

(56) **References Cited**

U.S. PATENT DOCUMENTS

D798,197 S * 9/2017 Moore D12/124
10,336,570 B2* 7/2019 Beggs H04R 1/1033

1 Claim, 6 Drawing Sheets



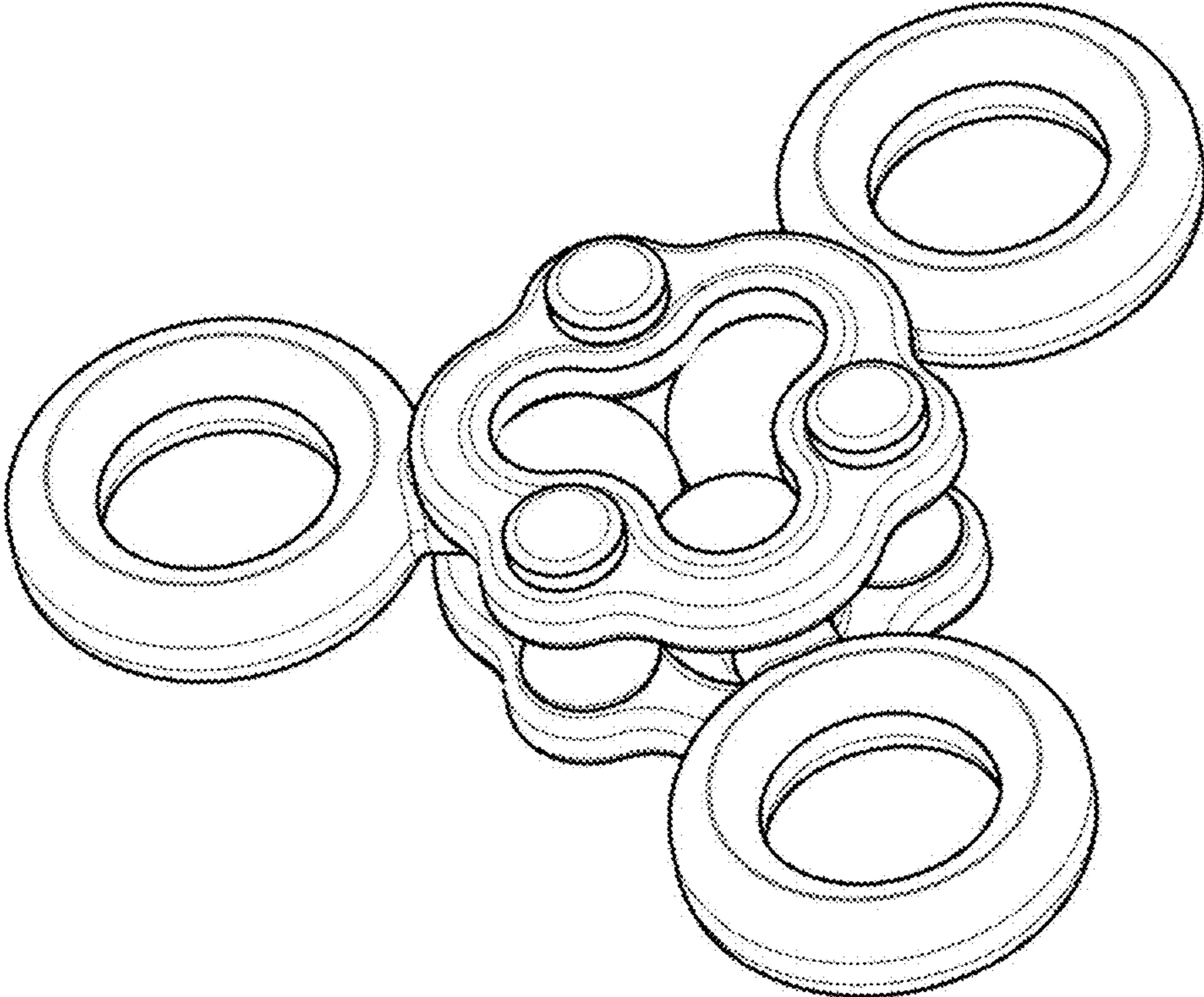


FIG. 1

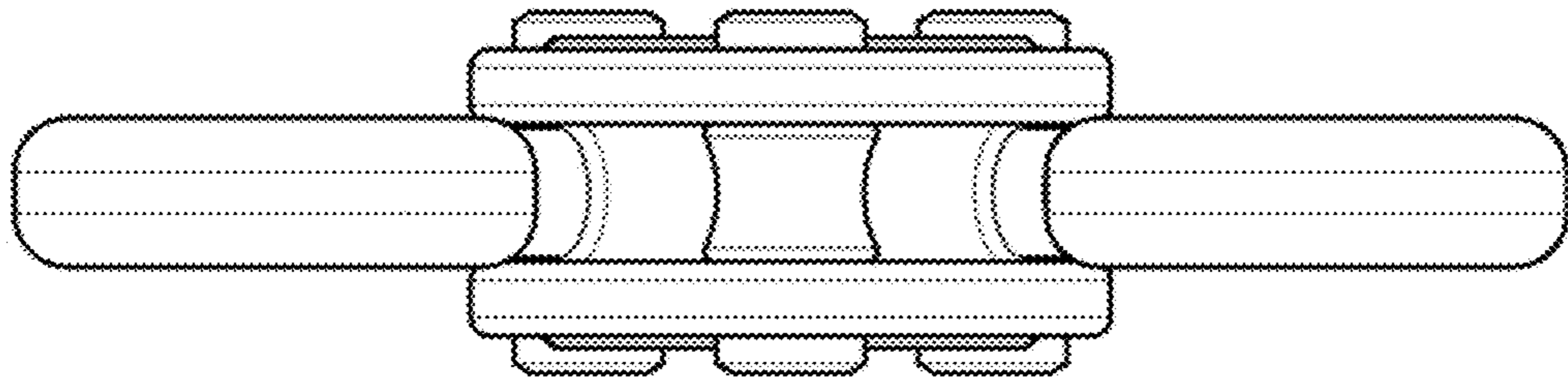


FIG. 2

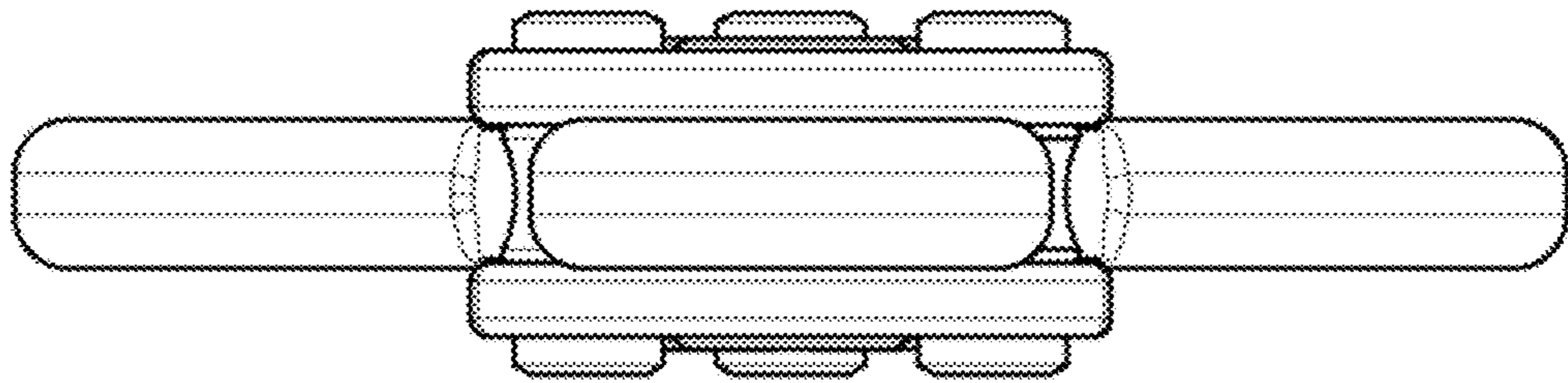


FIG. 3

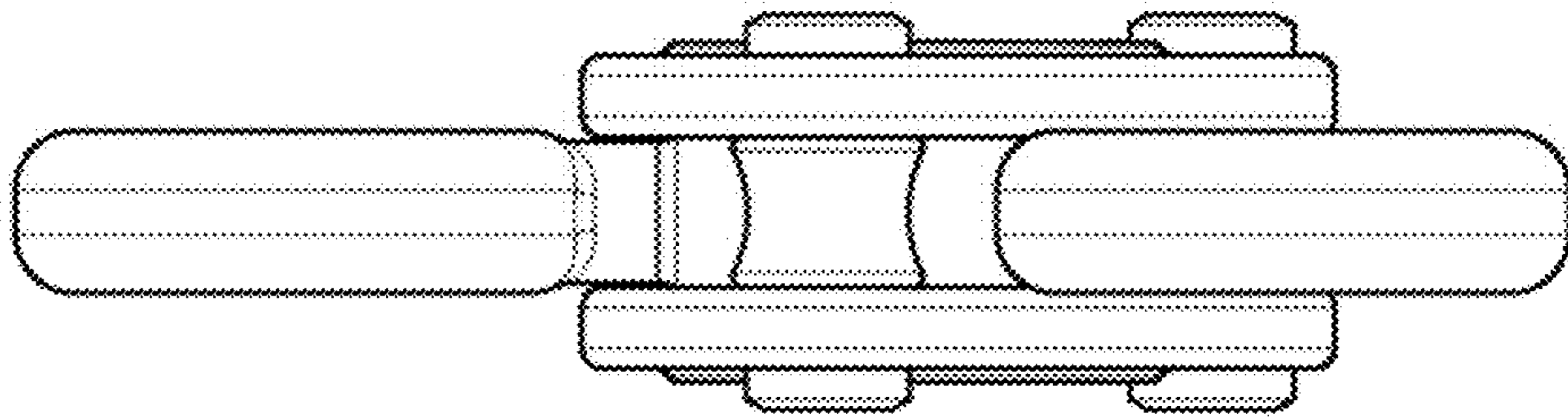


FIG. 4

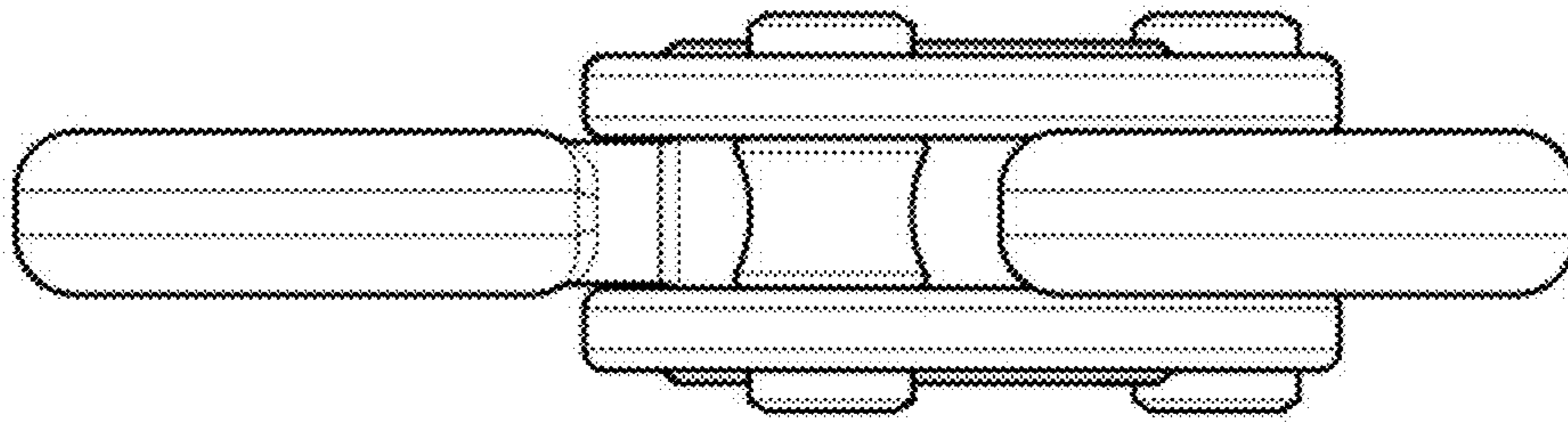


FIG. 5

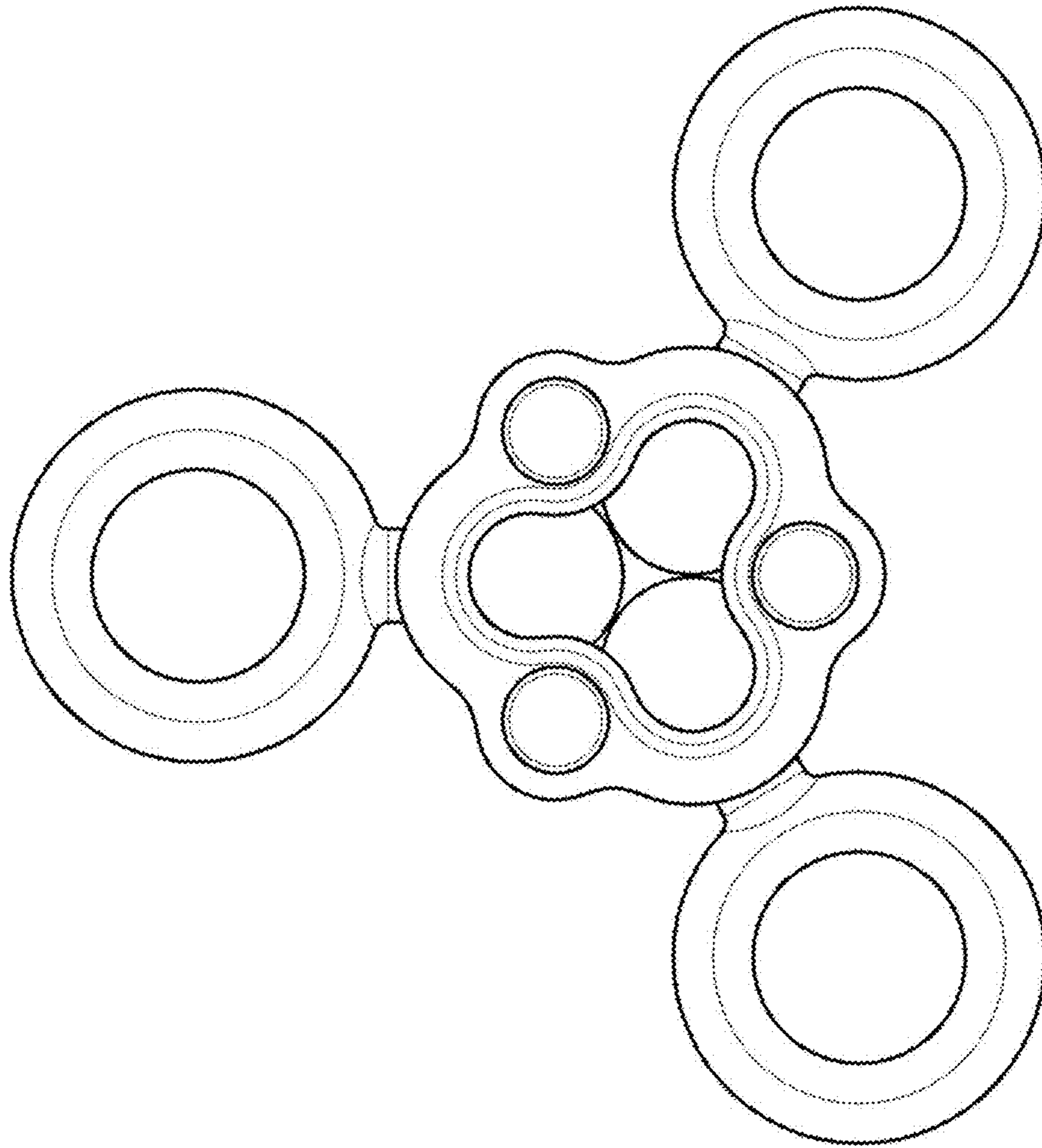


FIG. 6