



US00D889940S

(12) **United States Design Patent** (10) **Patent No.:** **US D889,940 S**
Gilner et al. (45) **Date of Patent:** **** Jul. 14, 2020**

(54) **SUPPORT CHAIR FOR POURED CONCRETE REINFORCEMENT MEMBERS**

5,729,949 A 3/1998 Hartzheim
 D394,200 S 5/1998 Hartzheim
 5,791,095 A 8/1998 Sorkin
 5,893,252 A 4/1999 Hardy, Jr. et al.
 D421,709 S * 3/2000 Haslem D8/354
 (Continued)

(71) Applicant: **Inland Concrete Products, Inc.**,
Fontana, CA (US)

(72) Inventors: **John H. Gilner**, Santa Barbara, CA (US); **G. Douglas Hartzheim**, Bozeman, MT (US); **Steven R. Wilbur**, Yucaipa, CA (US)

Primary Examiner — Keli L Hill
Assistant Examiner — Harold E Blackwell, II
 (74) *Attorney, Agent, or Firm* — Klein, O’Keill & Singh, LLP

(73) Assignee: **Inland Concrete Products, Inc.**,
Fontana, CA (US)

(57) **CLAIM**

The ornamental design for a support chair for poured concrete reinforcement members, as shown and described.

(**) Term: **15 Years**

DESCRIPTION

(21) Appl. No.: **29/686,153**

(22) Filed: **Apr. 2, 2019**

(51) **LOC (12) Cl.** **08-05**

(52) **U.S. Cl.**
USPC **D8/354**

(58) **Field of Classification Search**
 USPC D8/349, 354, 380, 384; 52/677, 678, 52/679, 682, 684, 685, 686, 687, 745.1, 52/688, 689; D25/199
 CPC ... E04C 5/20; E04C 5/206; E04C 5/18; E04C 5/168
 See application file for complete search history.

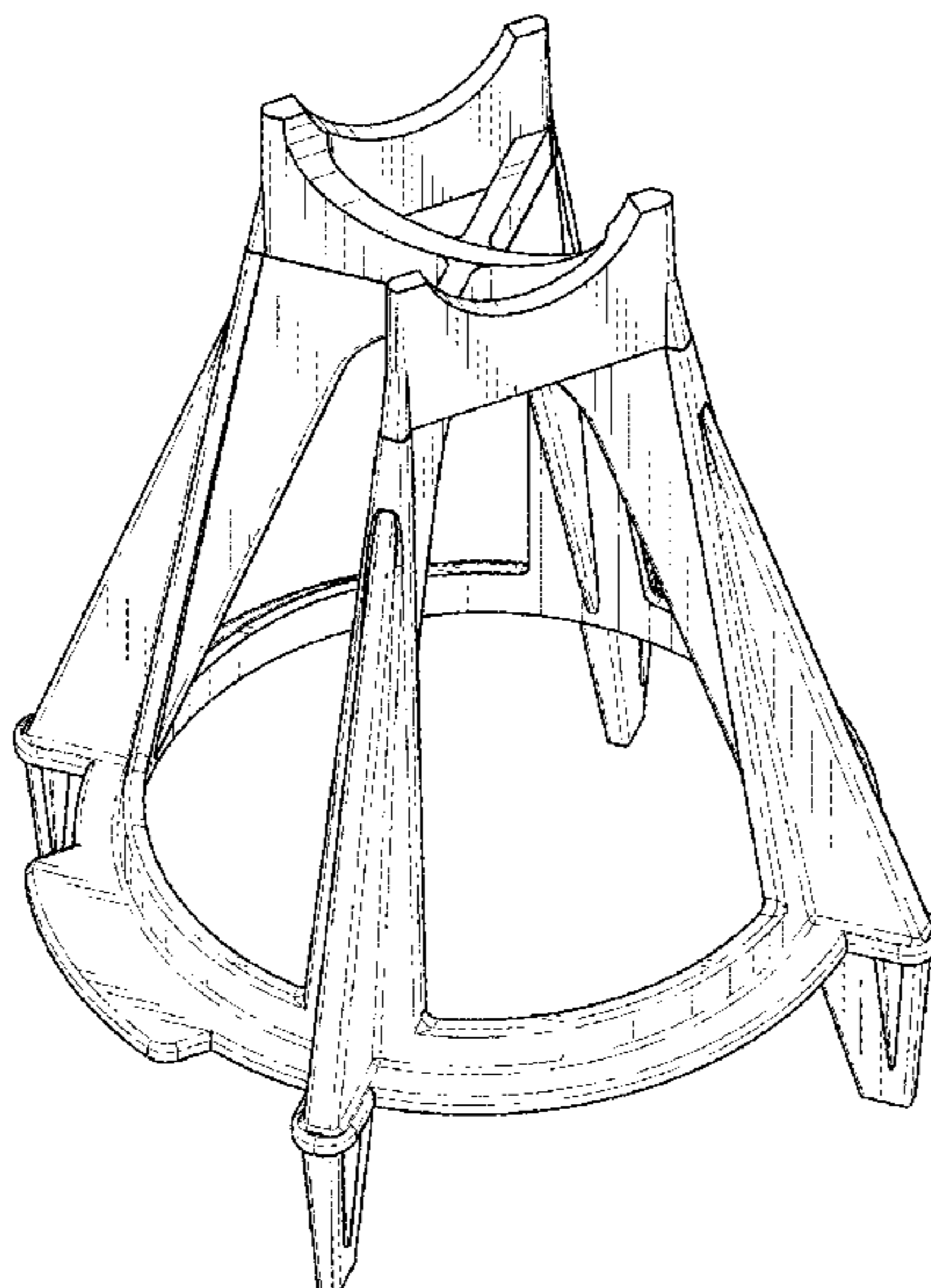
FIG. 1 is a perspective view, taken from the top, front, and right side, of a support chair for poured concrete reinforcement members, in accordance with our new design.
 FIG. 2 is a perspective view, taken from the top, front, and left side, of the support chair for poured concrete reinforcement members shown in FIG. 1.
 FIG. 3 is a right side elevation view of the support chair for poured concrete reinforcement members shown in FIG. 1, the left side elevation view being identical.
 FIG. 4 is a front elevation view of the support chair for poured concrete reinforcement members shown in FIG. 1, the rear elevation view being identical.
 FIG. 5 is an elevation view showing the front and right side of the support chair for poured concrete reinforcement members shown in FIG. 1.
 FIG. 6 is an elevation view showing the left side and front of the support chair for poured concrete reinforcement members shown in FIG. 1.
 FIG. 7 is a top plan view of the support chair for poured concrete reinforcement members shown in FIG. 1; and, FIG. 8 is a bottom plan view of the support chair for poured concrete reinforcement members shown in FIG. 1.

(56) **References Cited**

U.S. PATENT DOCUMENTS

1,476,939 A	12/1923	White	
3,673,753 A	7/1972	Anderson	
3,693,310 A	9/1972	Middleton	
4,060,954 A *	12/1977	Liuzza E04C 5/168 52/677
4,756,641 A	7/1988	Hartzheim	
4,835,933 A	6/1989	Yung	
5,107,654 A	4/1992	Leonardis	
D334,133 S	3/1993	Hartzheim	

1 Claim, 4 Drawing Sheets



(56)

References Cited

U.S. PATENT DOCUMENTS

D428,501	S *	7/2000	Haslem	D25/199
6,089,522	A	7/2000	Haslem et al.	
D443,197	S	6/2001	Padrun	
6,276,108	B1	8/2001	Padrun	
6,557,317	B2	5/2003	Sorkin	
6,663,316	B1	12/2003	Harris	
6,684,594	B1	2/2004	Sorkin	
6,684,595	B1	2/2004	Sorkin	
D500,243	S *	12/2004	Turek	D8/354
6,837,017	B2	1/2005	Hardy, Jr. et al.	
6,925,771	B2	8/2005	Lee et al.	
7,237,367	B1 *	7/2007	Sorkin	E04C 5/20 52/687
D548,056	S *	8/2007	Erickson	D8/354
D578,379	S *	10/2008	Sorkin	D8/354
D578,870	S *	10/2008	Sorkin	D8/354
7,451,580	B2 *	11/2008	Kelly	E04C 5/20 52/637
D594,737	S *	6/2009	Kelly	D6/349
D595,117	S *	6/2009	Sorkin	D6/349
7,775,010	B2	8/2010	Lee et al.	
7,845,136	B1 *	12/2010	Sorkin	E04C 5/20 52/687
7,870,703	B1 *	1/2011	Sorkin	E04C 5/18 52/677
8,322,108	B2	12/2012	Lee et al.	
D719,817	S *	12/2014	Perry	D8/354
D738,195	S *	9/2015	Perry	D8/354
2009/0044481	A1 *	2/2009	Turek	E04C 5/20 52/687
2013/0125498	A1 *	5/2013	Lowery	E04C 5/167 52/677

* cited by examiner

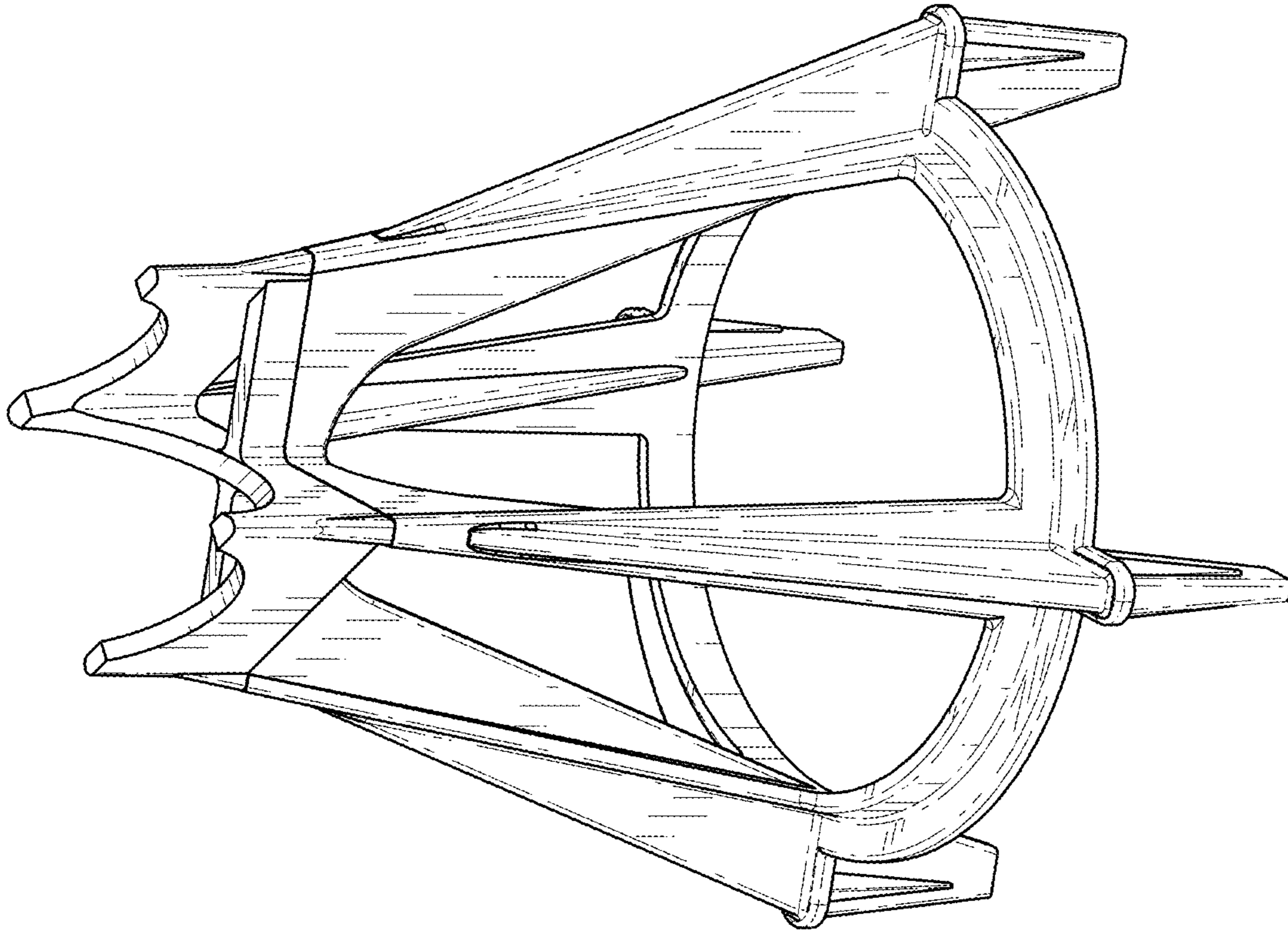


FIG. 2

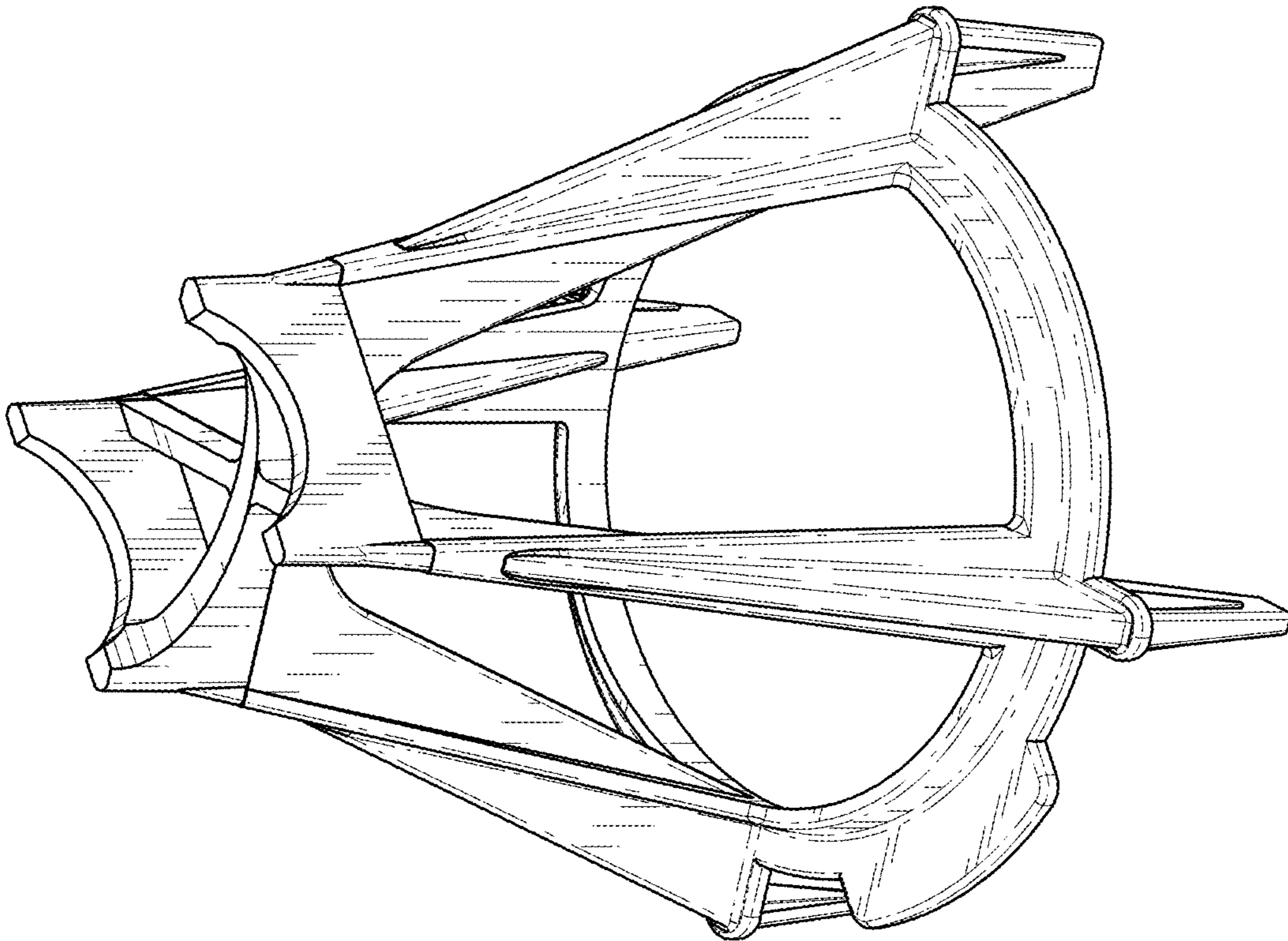


FIG. 1

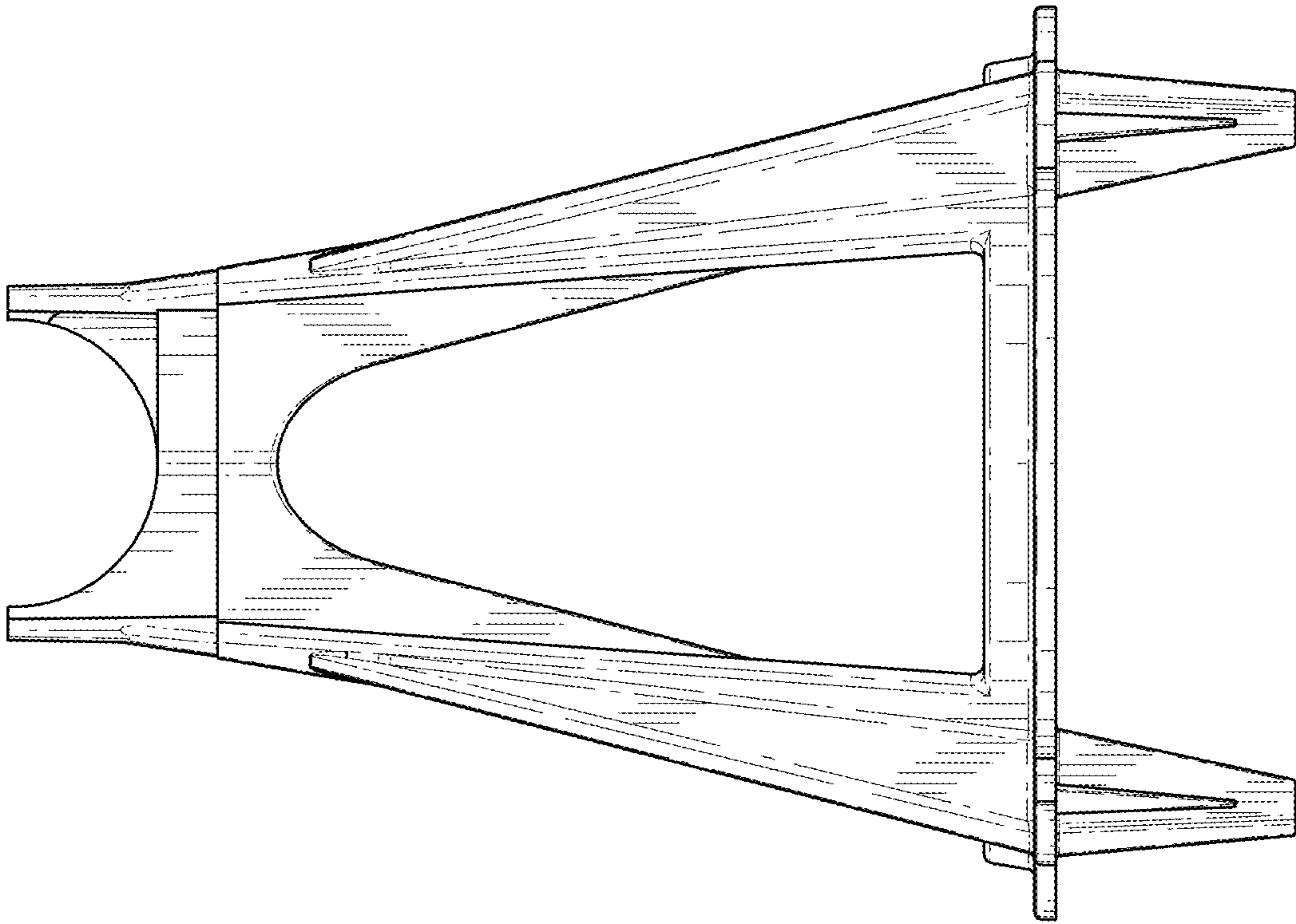


FIG. 4

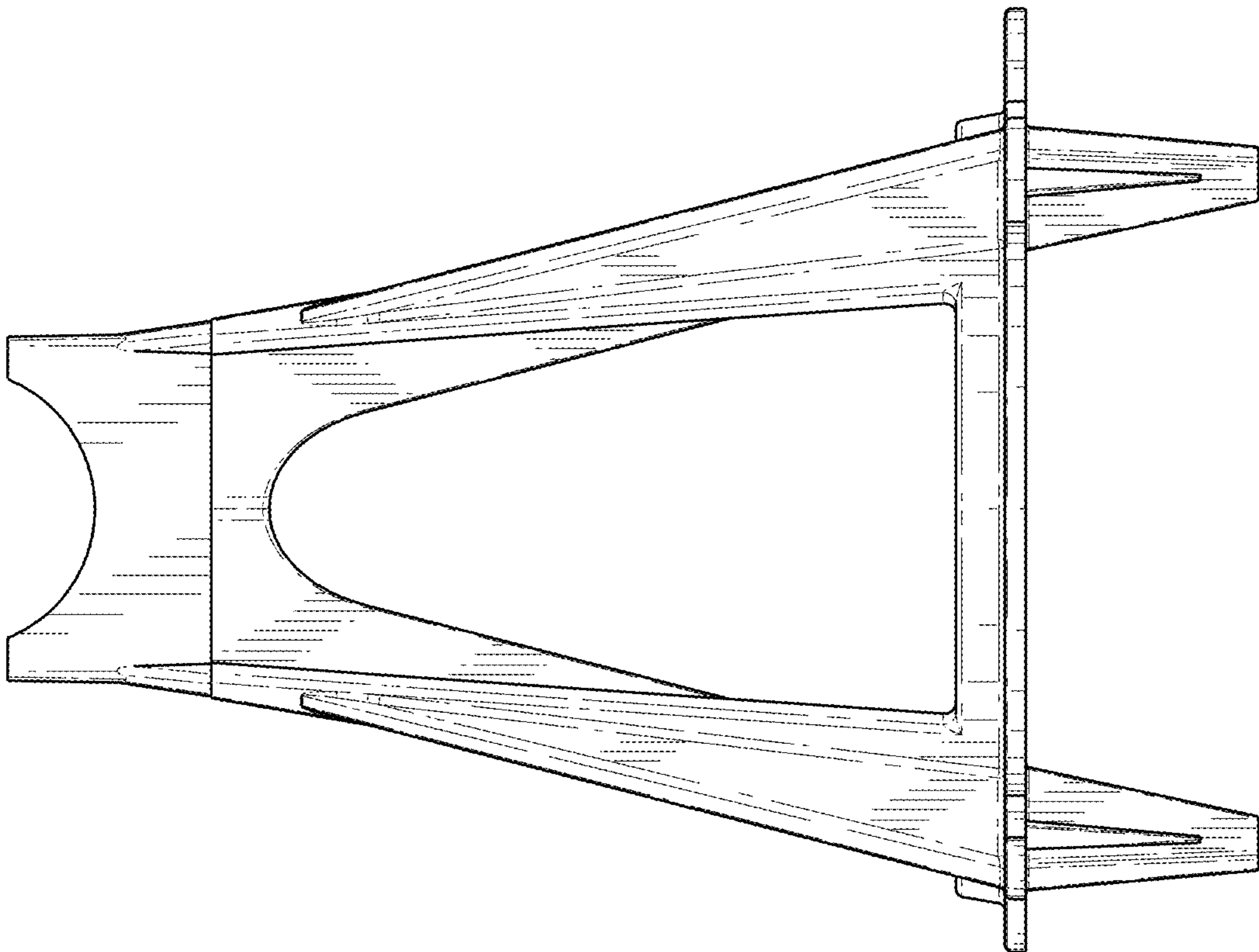


FIG. 3

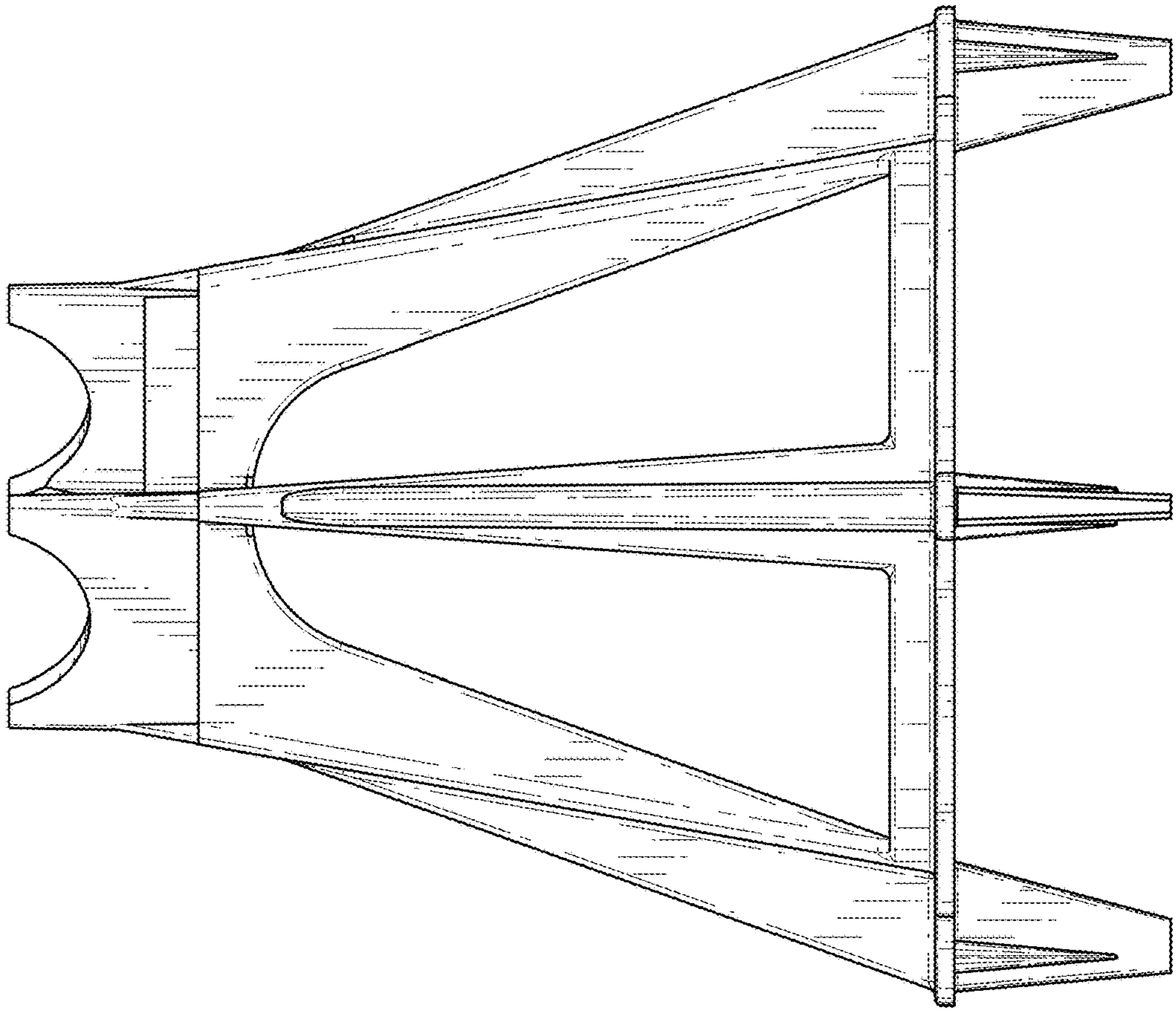


FIG. 6

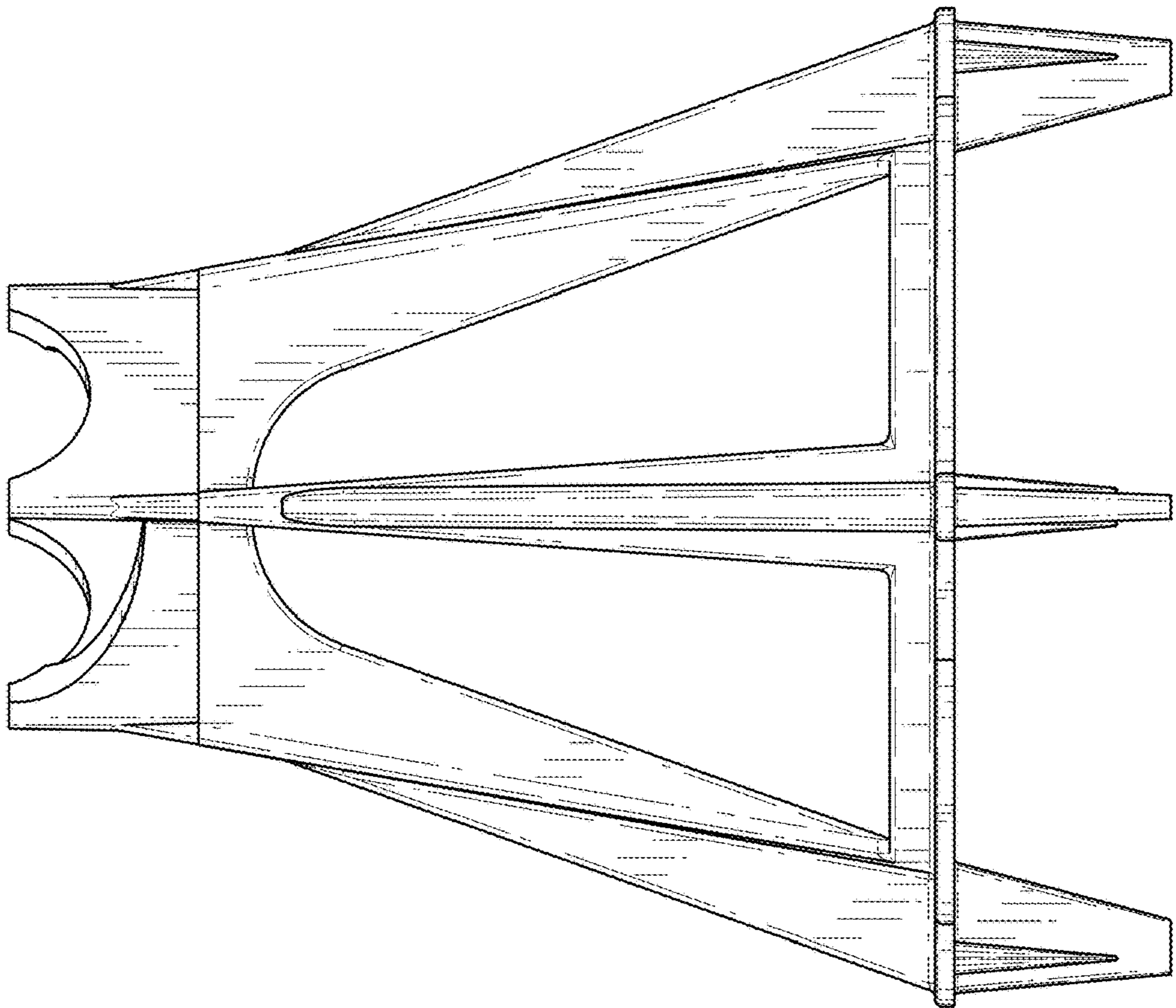


FIG. 5

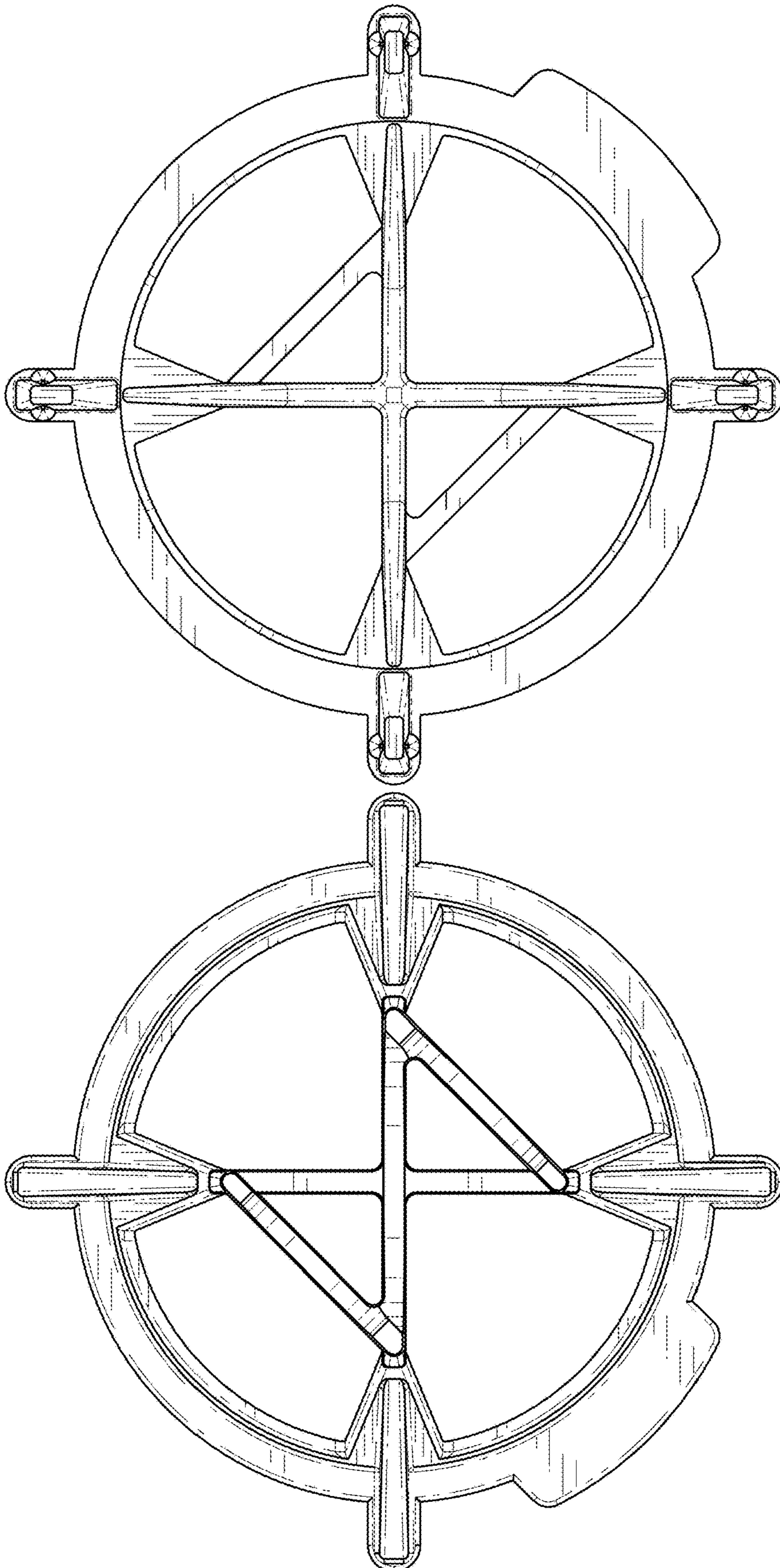


FIG. 7

FIG. 8