



US00D889939S

(12) **United States Design Patent** (10) **Patent No.:** **US D889,939 S**
Bordin (45) **Date of Patent:** **** Jul. 14, 2020**

(54) **SPACER**
(71) Applicant: **PROGRESS PROFILES SPA**, Asolo (IT)
(72) Inventor: **Dennis Bordin**, Asolo (IT)
(73) Assignee: **PROGRESS PROFILES SPA**, Asolo (IT)
(**) Term: **15 Years**
(21) Appl. No.: **29/668,404**
(22) Filed: **Oct. 30, 2018**

(30) **Foreign Application Priority Data**
May 4, 2018 (EM) 005259009
(51) **LOC (12) Cl.** **08-05**
(52) **U.S. Cl.**
USPC **D8/354**
(58) **Field of Classification Search**
USPC D8/354
CPC E04F 21/0092; E04F 2015/02111; E04F 21/00; E04F 21/18; E04F 21/20
See application file for complete search history.

(56) **References Cited**
U.S. PATENT DOCUMENTS
D327,604 S * 7/1992 Culverson D34/39
D358,545 S * 5/1995 Price D8/356
D492,210 S * 6/2004 Shilo D10/64
7,257,926 B1 * 8/2007 Kirby E04F 21/0092
33/526
D676,309 S * 2/2013 Bailey D8/354
D678,039 S * 3/2013 Psaila D8/354
D682,662 S * 5/2013 Bailey D8/354
D750,467 S * 3/2016 Hill D8/349
D758,218 S * 6/2016 Bunch D10/64
D758,899 S * 6/2016 Bunch D10/64

D766,704 S * 9/2016 Hill D8/354
D775,933 S * 1/2017 Hill D8/349
D775,934 S * 1/2017 Hill D8/349
D791,395 S * 7/2017 Rashidi Doust D26/113
D829,080 S * 9/2018 Hill D8/354
D848,820 S * 5/2019 Dahill D8/354
D876,928 S * 3/2020 Cramer D8/354
2004/0060184 A1 * 4/2004 Shilo E04F 21/0092
33/526
2004/0250435 A1 * 12/2004 Fiore E04F 21/0092
33/527
2009/0126213 A1 * 5/2009 Tavy E04F 21/0092
33/527

(Continued)

OTHER PUBLICATIONS

Multi spacer 4 in 1, posted at karldahm.com, posting date not given, [online], [site visited Mar. 10, 2020]. Available from Internet, URL: <https://www.karldahm.com/en/multi-spacer.htm> (Year: 2020).*
(Continued)

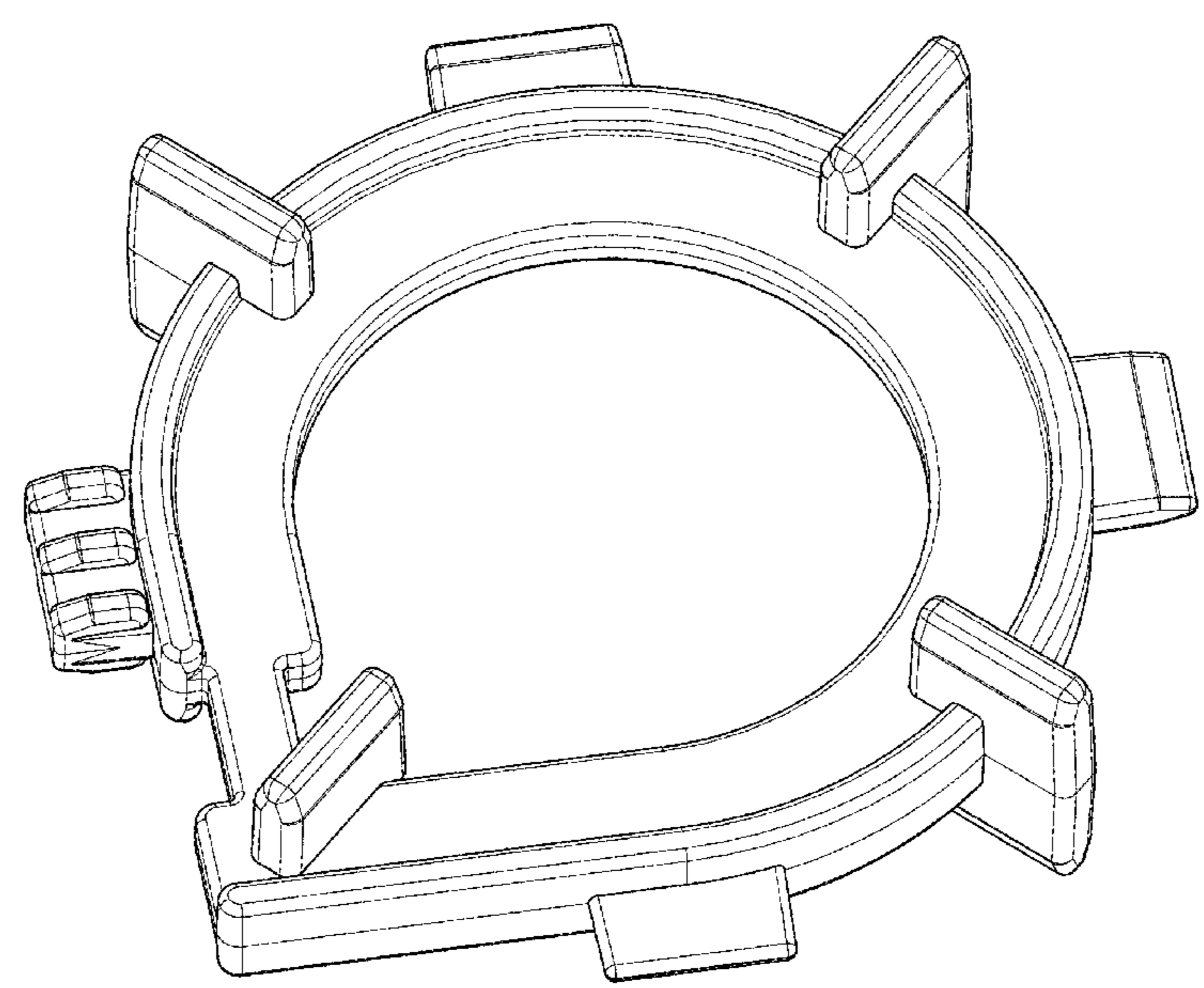
Primary Examiner — George D. Kirschbaum
Assistant Examiner — Maria J Edwards
(74) *Attorney, Agent, or Firm* — Cantor Colburn LLP

(57) **CLAIM**
The ornamental design for a spacer, as shown and described.

DESCRIPTION

FIG. 1 is a perspective view of a spacer showing my new design;
FIG. 2 is a front elevation view thereof;
FIG. 3 is a rear elevation view thereof;
FIG. 4 is a left side elevation view thereof;
FIG. 5 is a right side elevation view thereof;
FIG. 6 is a top plan view thereof;
FIG. 7 is a bottom plan view thereof; and,
FIG. 8 is a further perspective view thereof.

1 Claim, 8 Drawing Sheets



(56)

References Cited

U.S. PATENT DOCUMENTS

2013/0074425 A1* 3/2013 Miyamoto E04F 13/0839
52/126.7
2019/0292797 A1* 9/2019 Leuciuc E04F 21/0092

OTHER PUBLICATIONS

Multi Spacer Plastic Tile Spacer, posted at alibaba.com, posting date not given, [online], [site visited Mar. 10, 2020]. Available from Internet, URL: https://www.alibaba.com/product-detail/multi-spacer-plastic-tile-spacer-cross_60826955280.html?fullFirstScreen=true (Year: 2020).*

Multispacer for laying flooring, posted at progressprofiles.com, posting date not given, [online], [site visited Mar. 10, 2020]. Available from Internet, URL: <https://www.progressprofiles.com/en/multispacer> (Year: 2020).*

PSC Penta Multi Size in One Tile Spacer, posted at pscamerica.com, posting date not given, [online], [site visited Mar. 10, 2020]. Available from Internet, URL: <https://pscamerica.com/product/7559/psc-penta-multi-size-in-one-tile-spacer-bag-of-50/> (Year: 2020).*

* cited by examiner

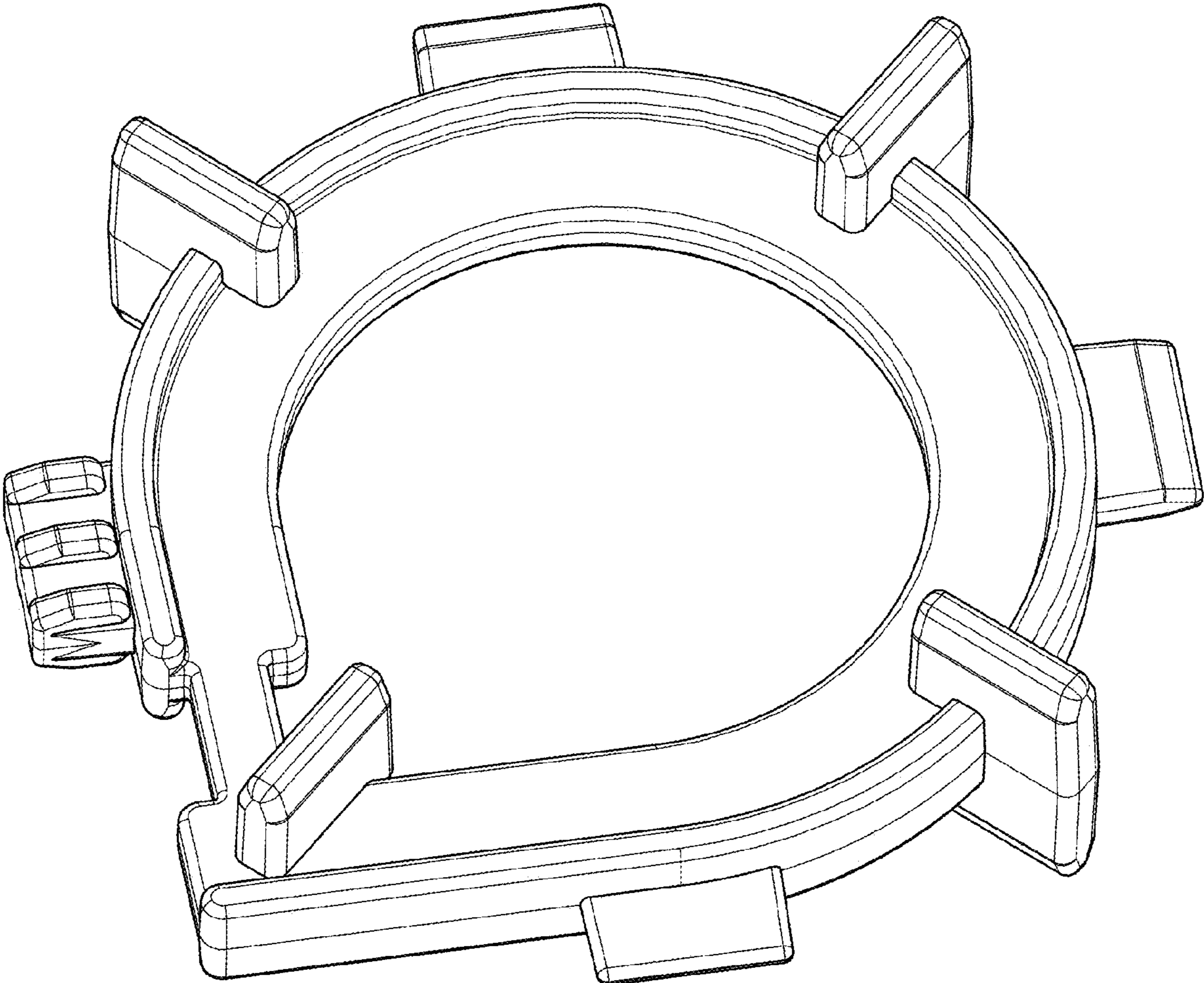


Fig. 1

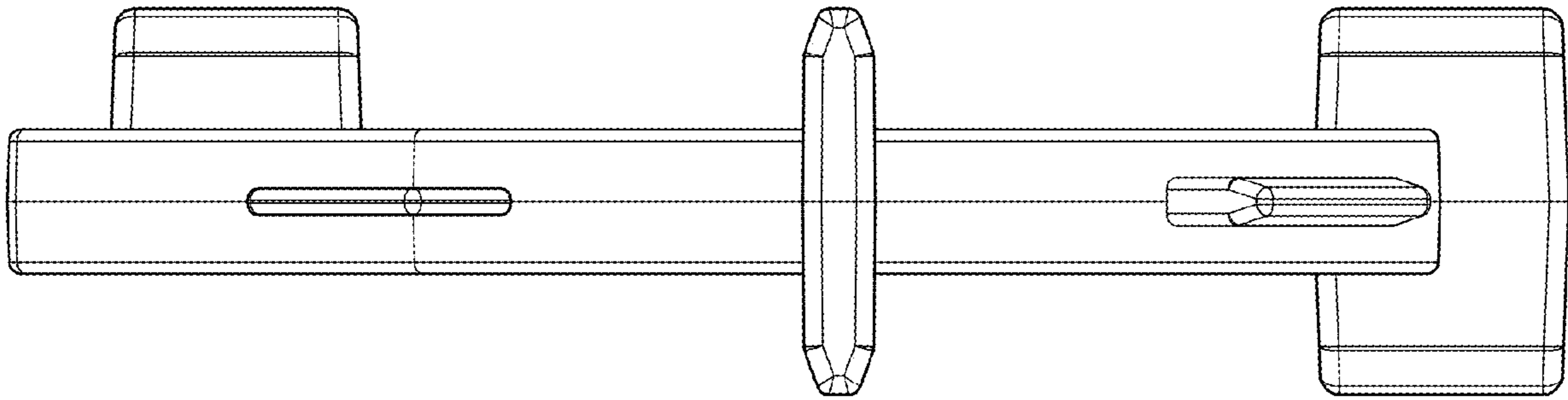


Fig. 2

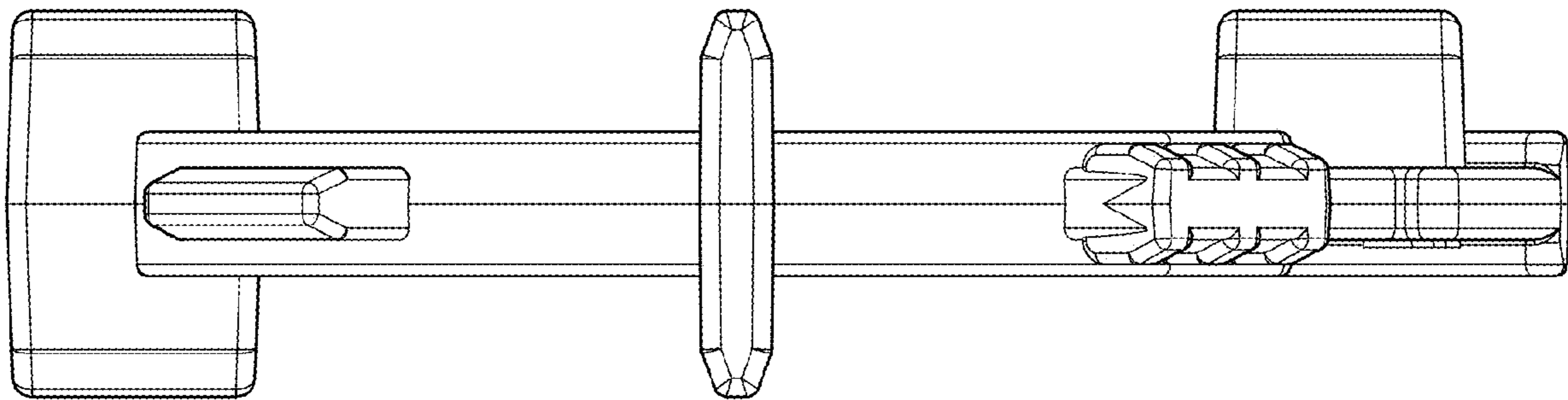


Fig. 3

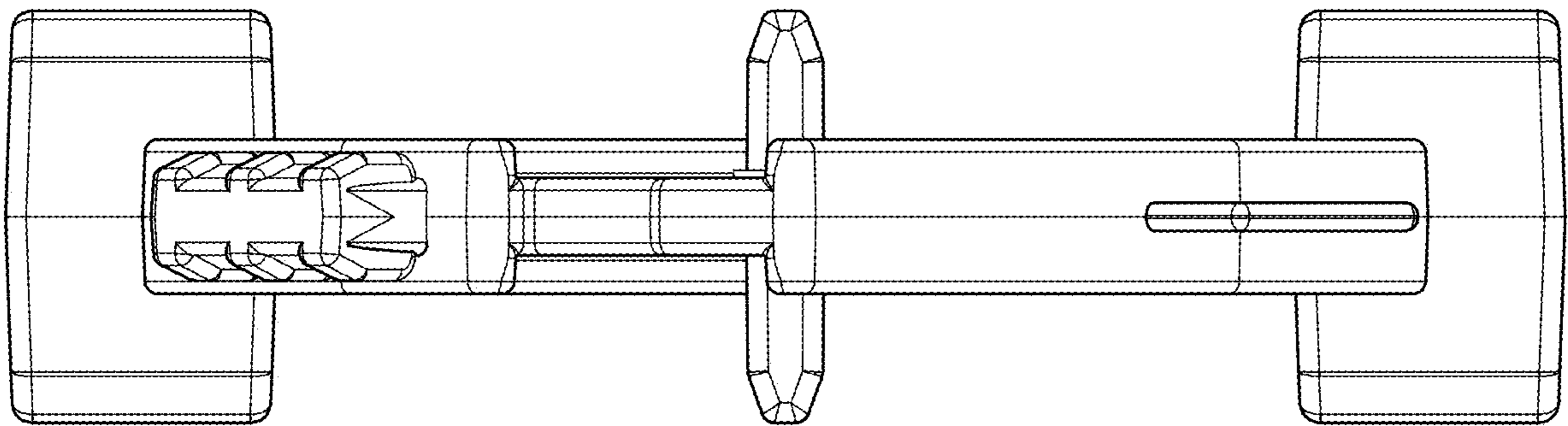


Fig. 4

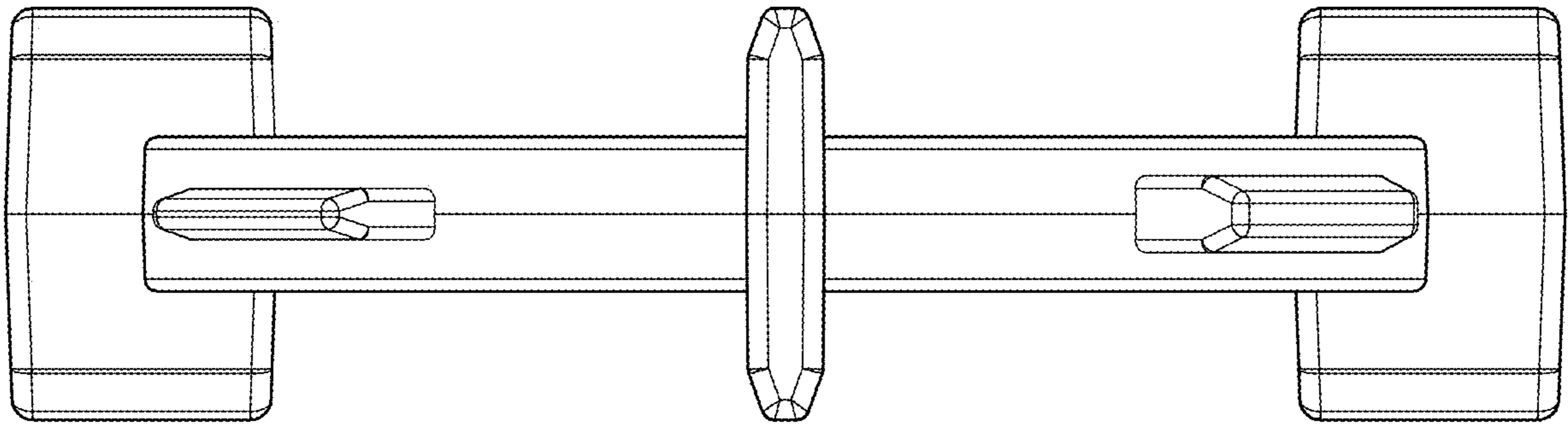


Fig. 5

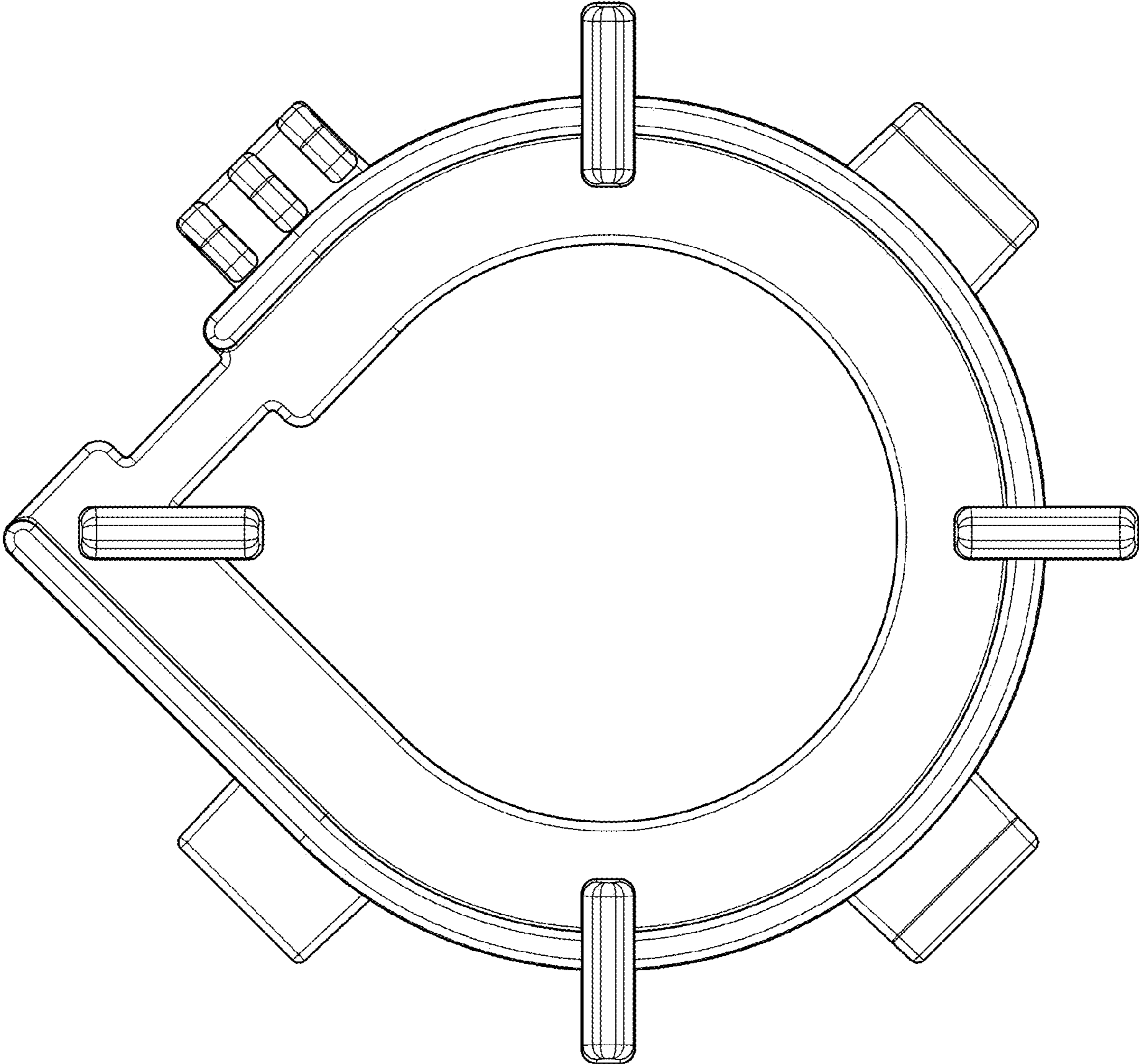


Fig. 6

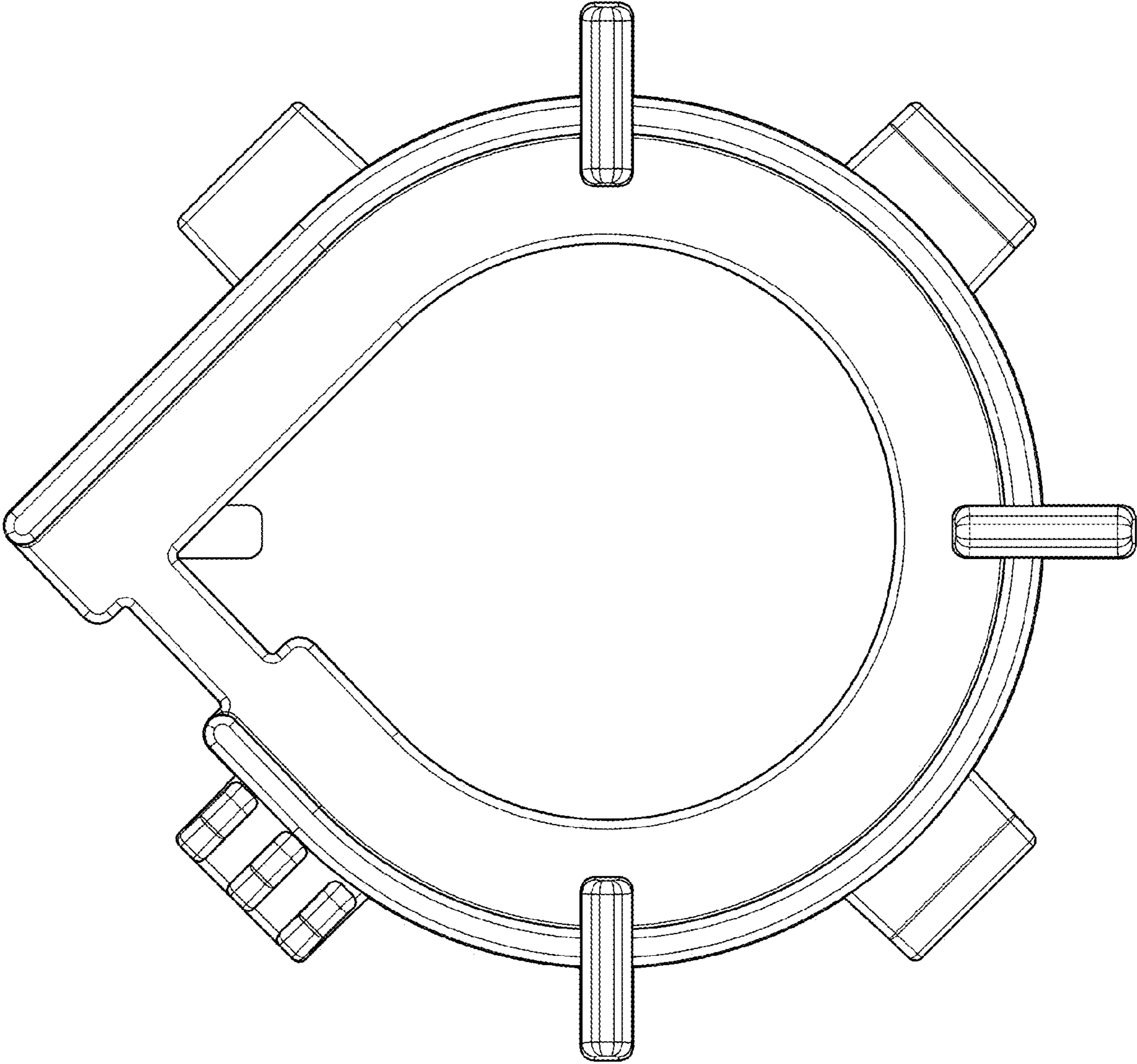


Fig. 7

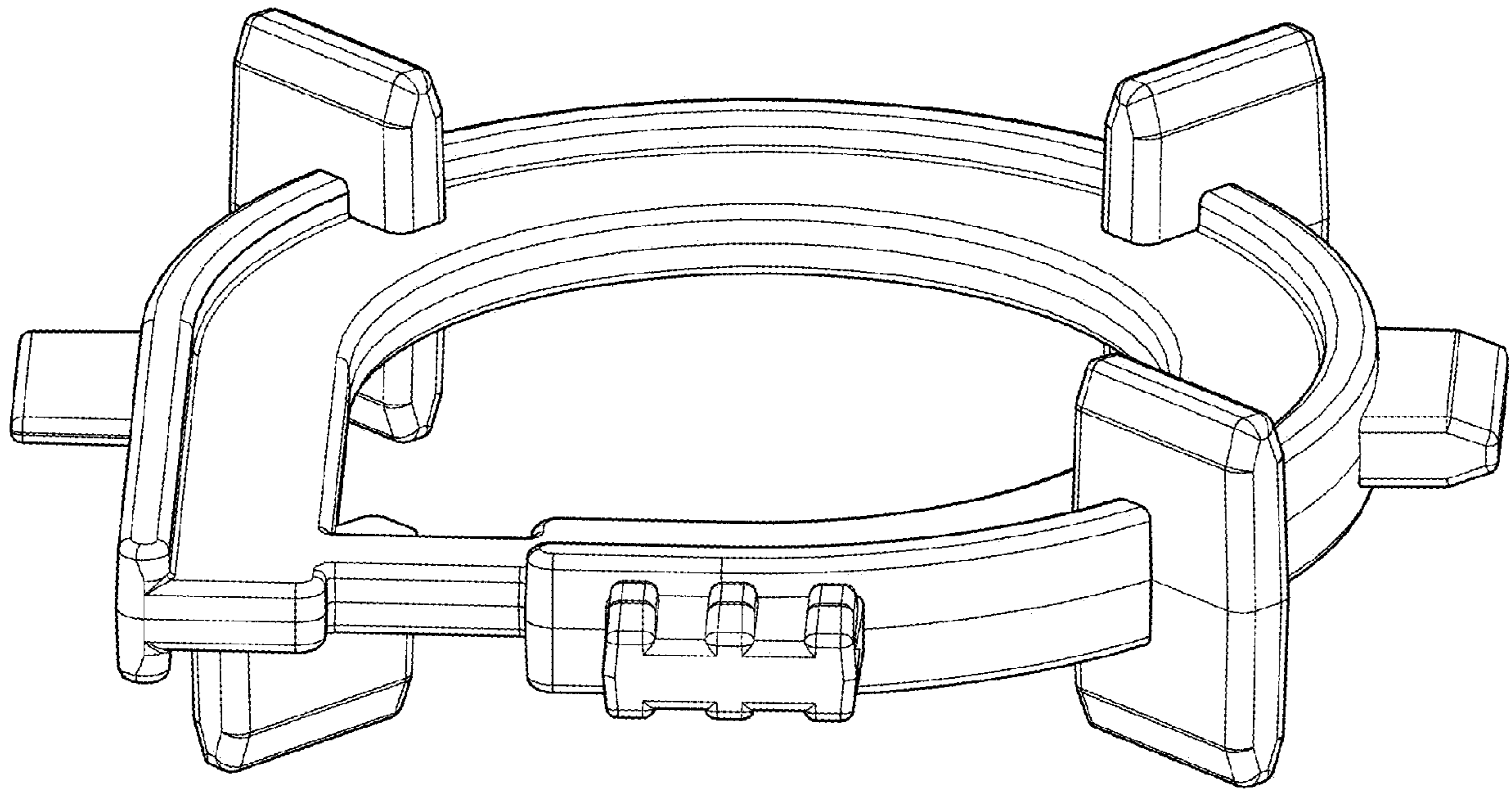


Fig. 8