



US00D889938S

(12) **United States Design Patent**
Werlinger

(10) **Patent No.:** **US D889,938 S**
(45) **Date of Patent:** **** Jul. 14, 2020**

- (54) **REBAR JIG**
- (71) Applicant: **Gary Werlinger**, Gilbert, AZ (US)
- (72) Inventor: **Gary Werlinger**, Gilbert, AZ (US)
- (**) Term: **15 Years**
- (21) Appl. No.: **29/608,987**
- (22) Filed: **Jun. 27, 2017**
- (51) **LOC (12) Cl.** **08-05**
- (52) **U.S. Cl.**
USPC **D8/354**
- (58) **Field of Classification Search**
USPC D8/354; D25/66
CPC E06C 1/32
See application file for complete search history.

- 7,451,579 B2 * 11/2008 Azarin E04C 5/203
248/74.3
- D587,096 S * 2/2009 Smith D8/354
- D587,097 S * 2/2009 Smith D8/354
- 7,735,273 B2 * 6/2010 Knepp E02D 5/38
405/229
- 7,850,399 B2 * 12/2010 Render E04C 5/0618
405/239
- D641,611 S * 7/2011 Minayoshi D8/354
- 8,387,329 B2 * 3/2013 Stevens E04C 5/0604
52/220.3
- 8,533,956 B2 * 9/2013 Perry E04C 5/0604
140/112
- 9,745,752 B2 * 8/2017 Strabala E04C 5/208
- D858,799 S * 9/2019 Anderson D25/66

* cited by examiner

Primary Examiner — Keli L Hill
Assistant Examiner — Harold E Blackwell, II
(74) *Attorney, Agent, or Firm* — Adam R. Stephenson, Ltd.

(56) **References Cited**

U.S. PATENT DOCUMENTS

- 277,374 A * 5/1883 Strohm H01B 3/082
174/111
- 289,165 A * 11/1883 Strohm H01B 3/082
174/111
- 354,892 A * 12/1886 DuBois H02G 9/06
174/99 R
- 3,694,989 A * 10/1972 Oliver E04C 5/203
52/678
- 5,347,787 A * 9/1994 Gavin E04C 5/203
248/74.3
- 5,542,785 A * 8/1996 Cloud E02D 5/34
249/83
- 6,115,987 A * 9/2000 Tatum E04C 5/18
52/684
- 6,385,938 B1 * 5/2002 Gavin E04C 5/203
52/677
- 6,860,077 B2 * 3/2005 Yin E04C 5/0618
405/239

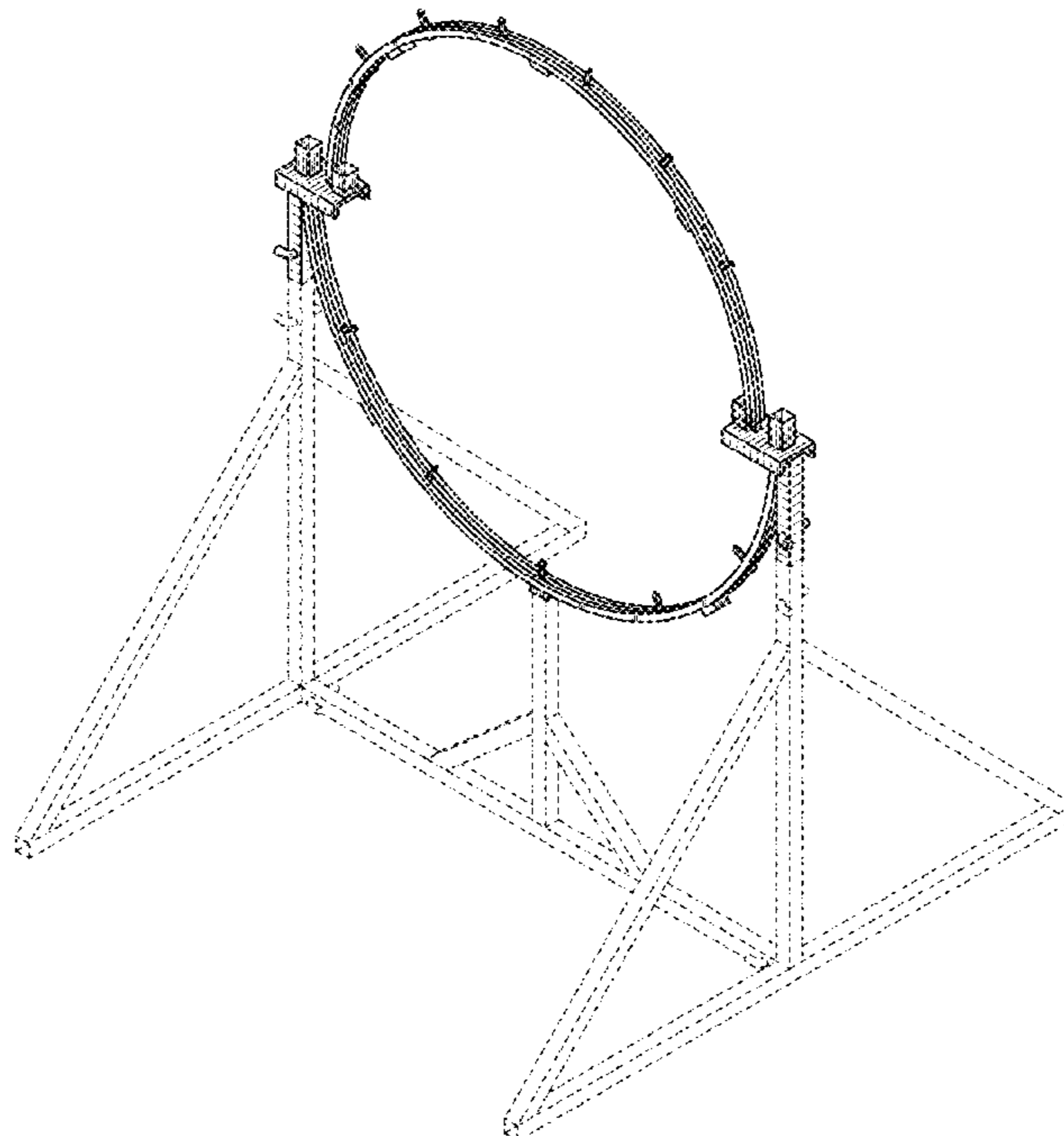
(57) **CLAIM**

The ornamental design for a rebar jig, as shown and described.

DESCRIPTION

FIG. 1 is front perspective view of a rebar jig;
FIG. 2 is front view thereof;
FIG. 3 is rear view thereof;
FIG. 4 is left view thereof;
FIG. 5 is a right view thereof;
FIG. 6 is top view thereof; and,
FIG. 7 is bottom view thereof.
The broken lines in the drawings illustrate portions of a rebar jig which form no part of the claimed design.

1 Claim, 7 Drawing Sheets



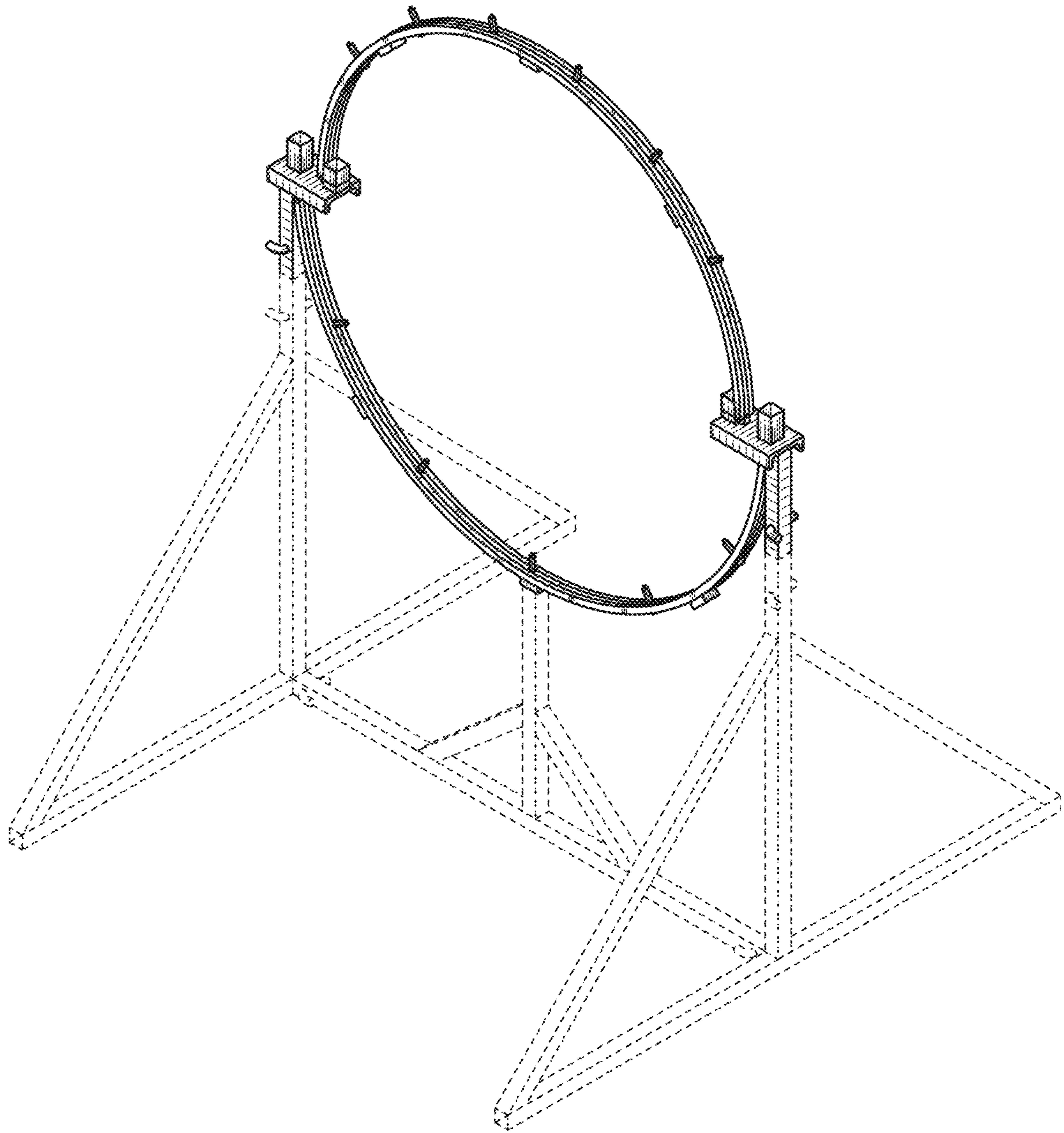


FIG. 1

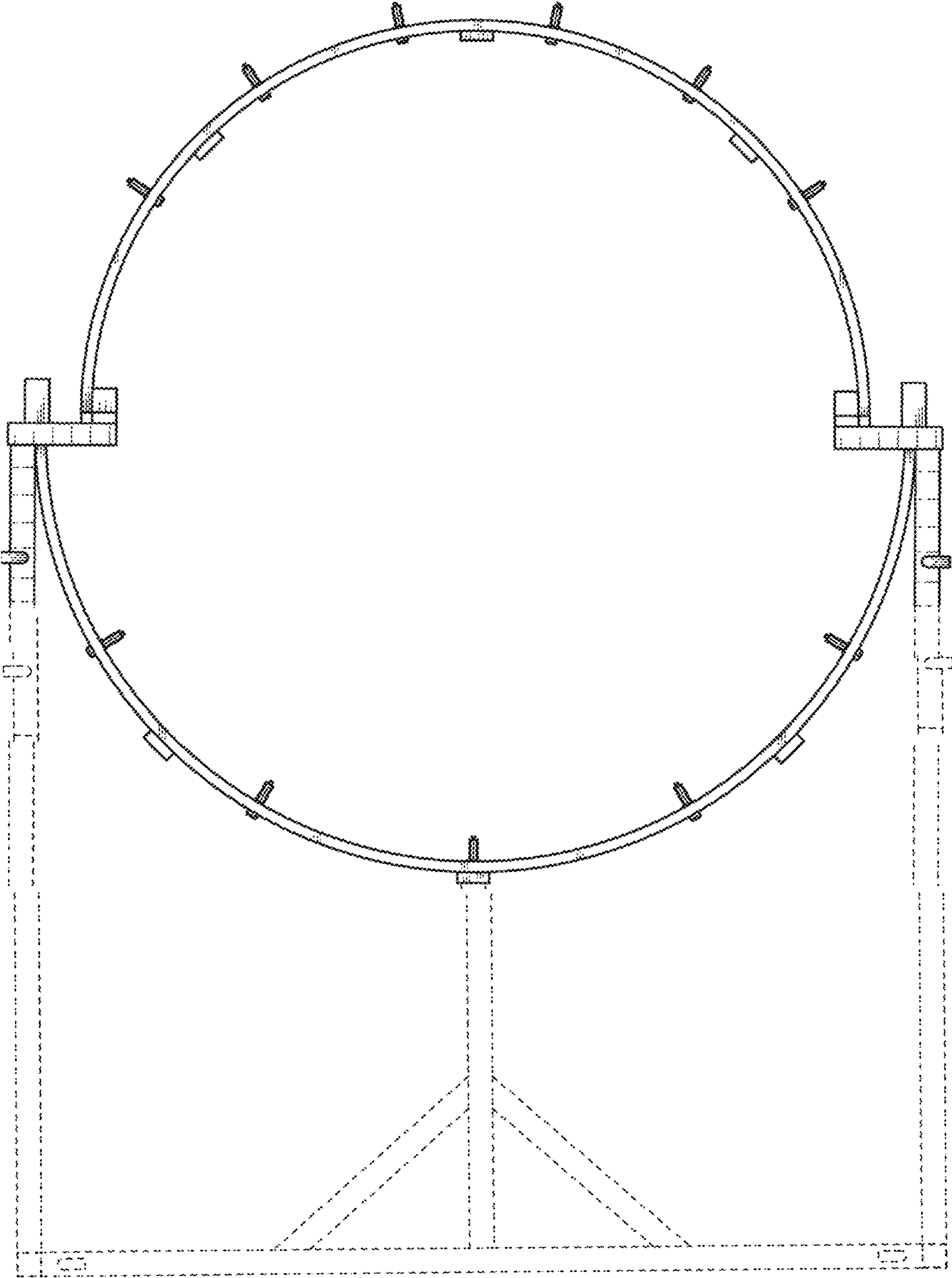


FIG. 2

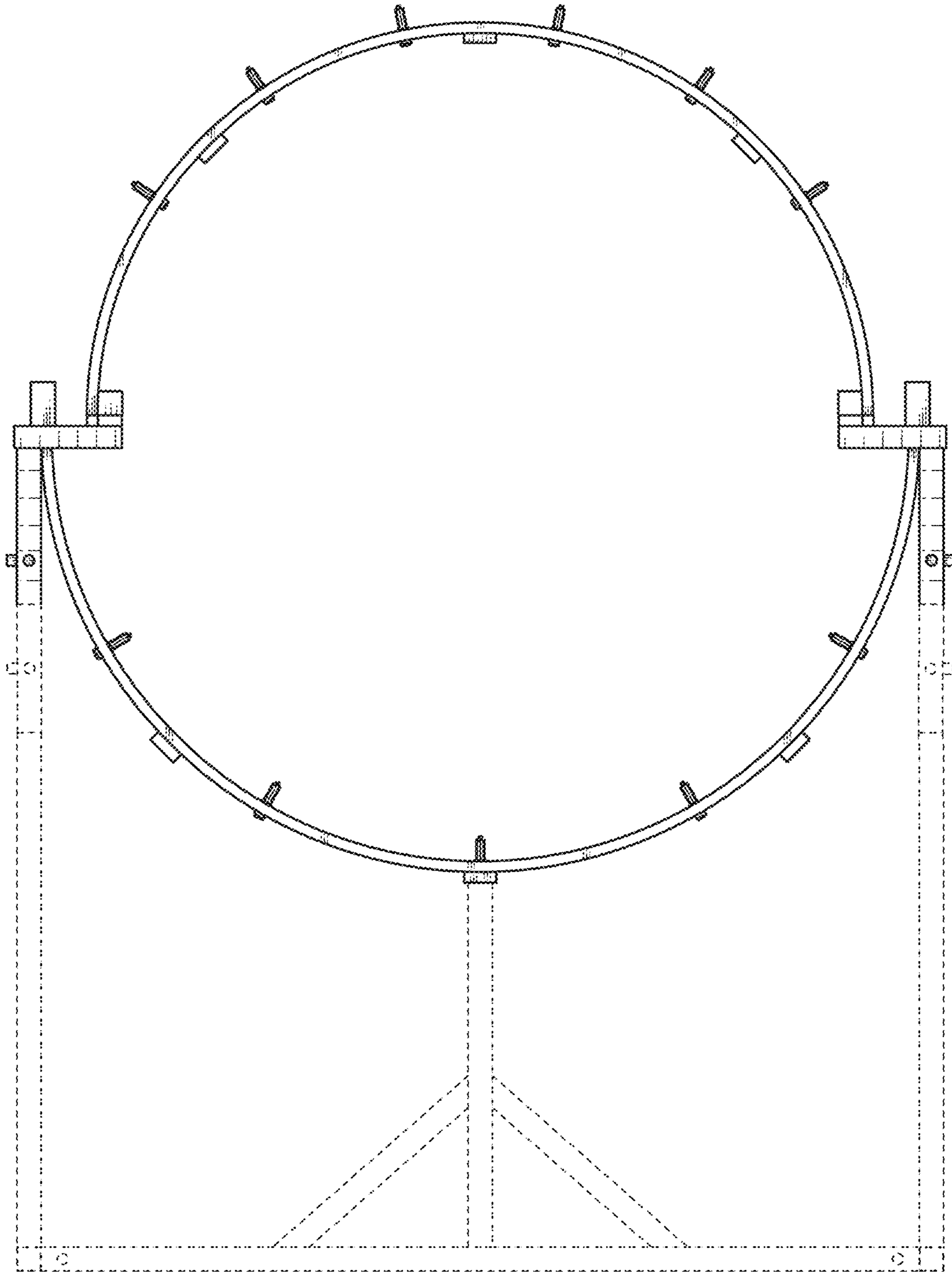


FIG. 3

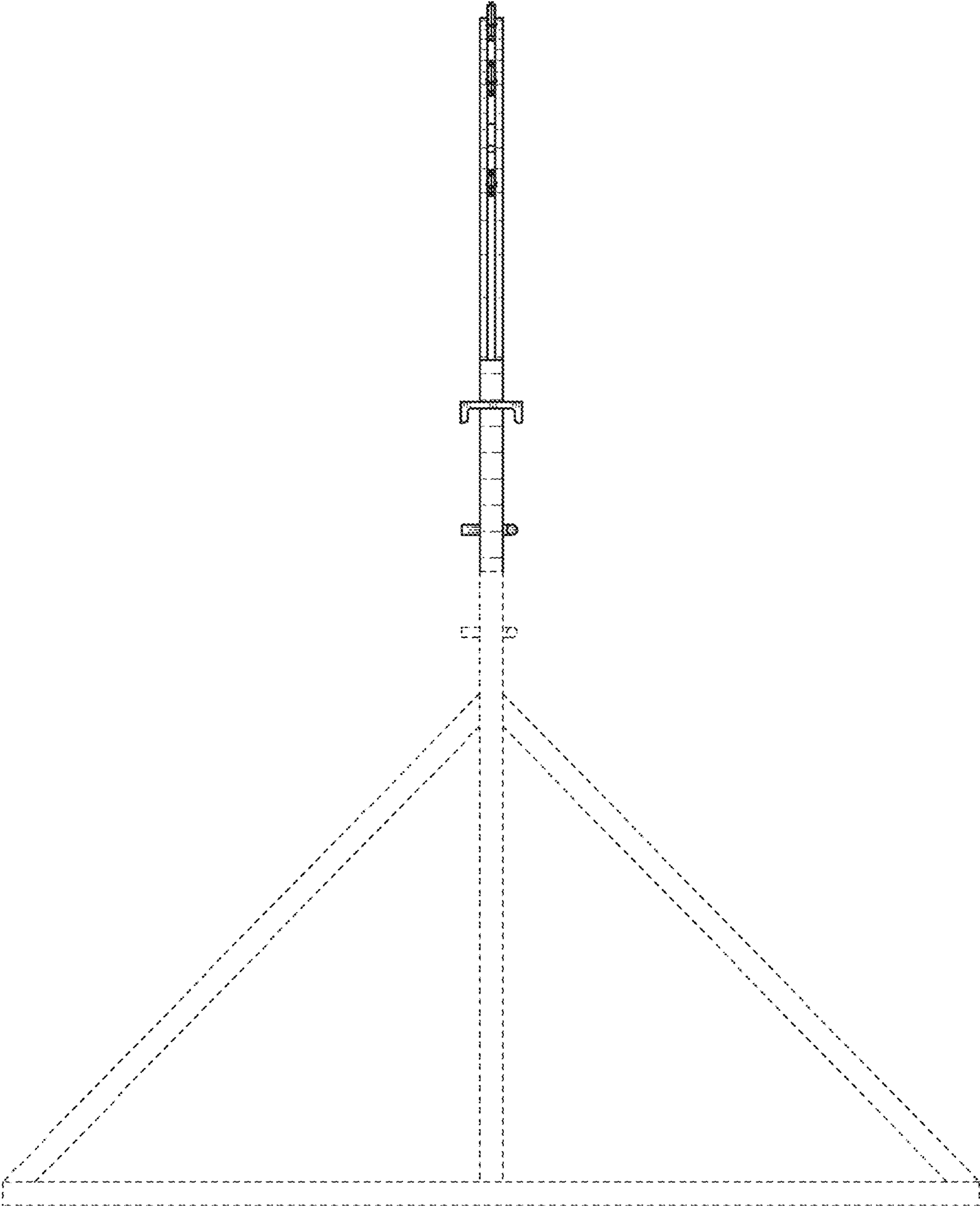


FIG. 4

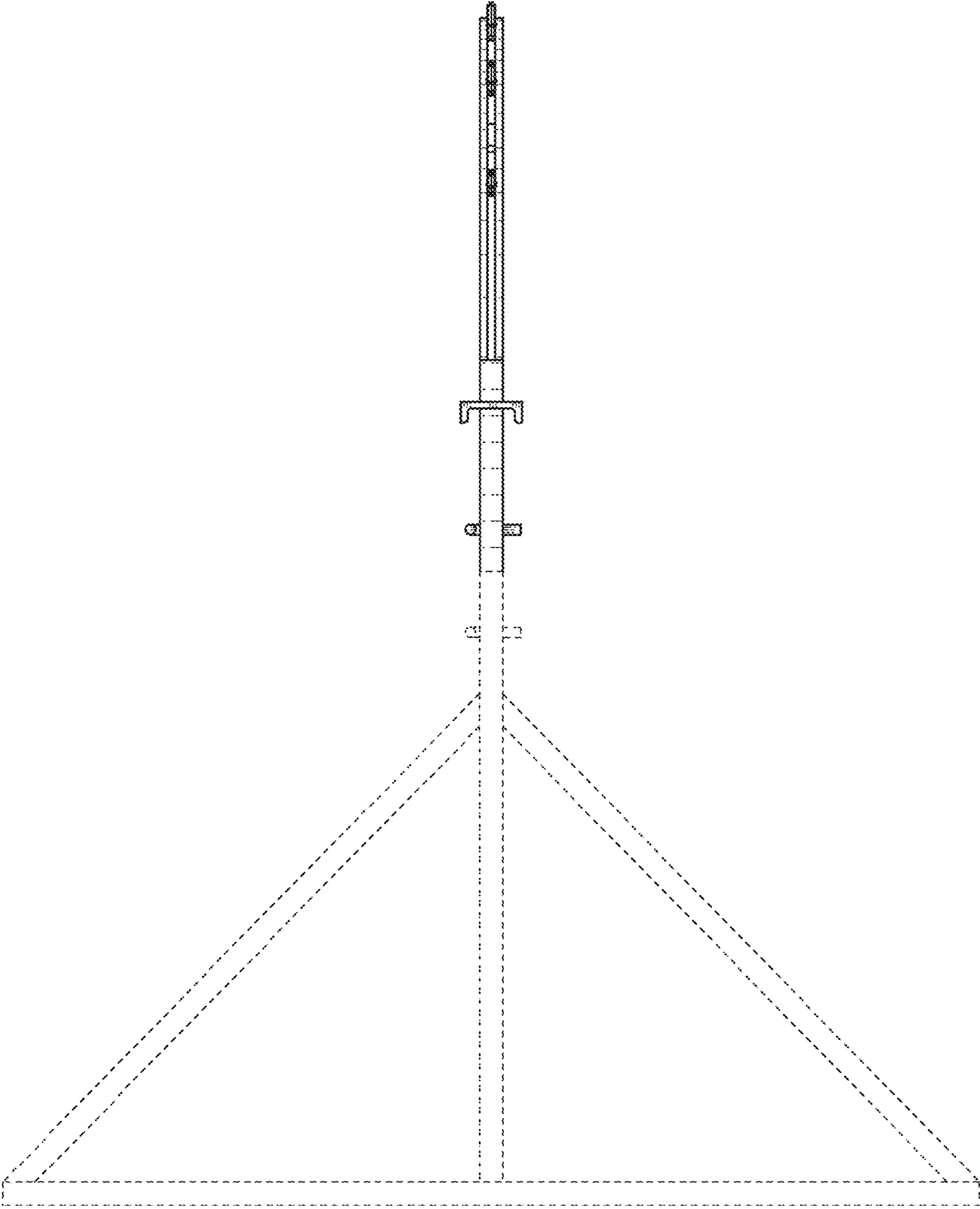


FIG. 5

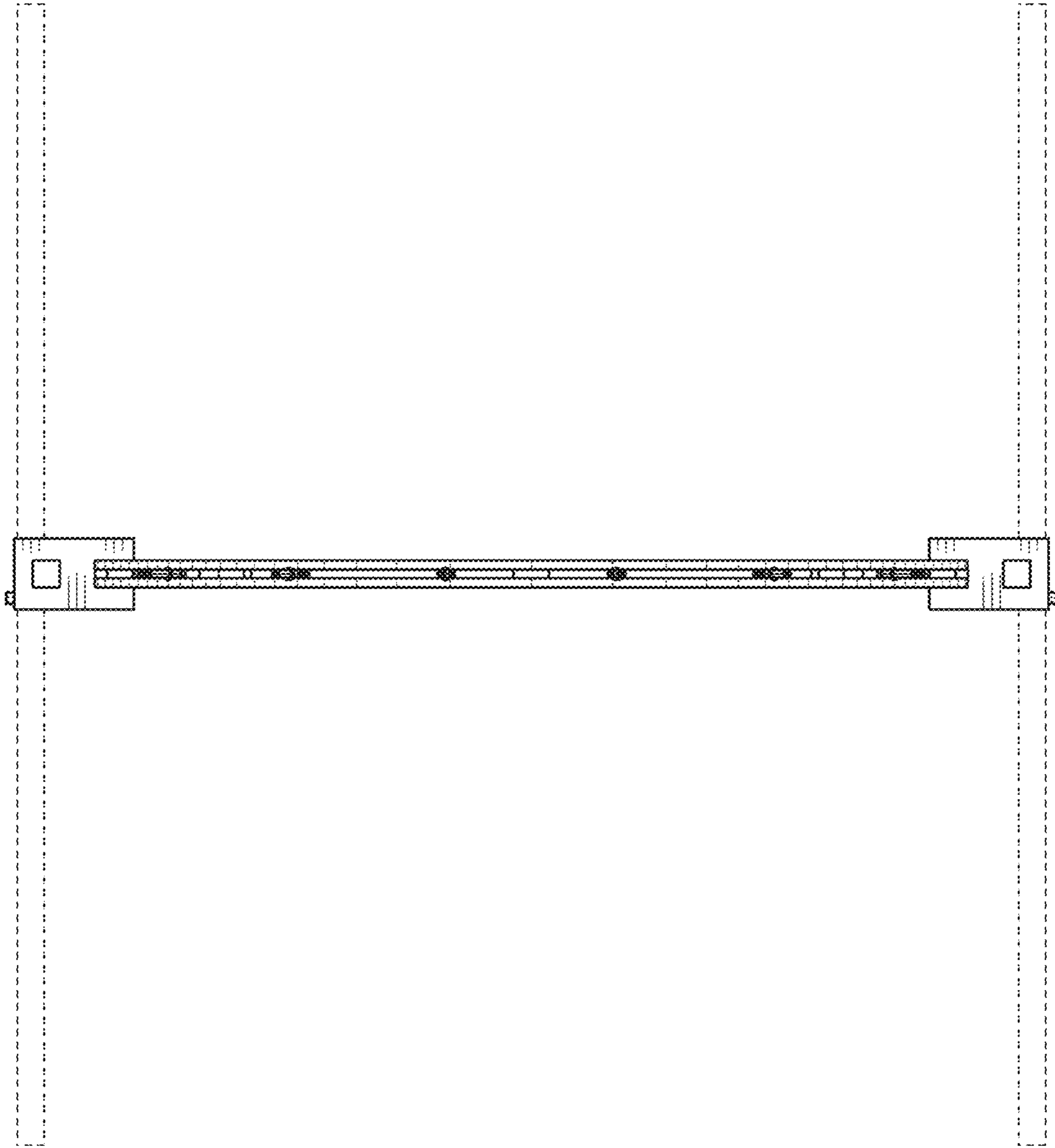


FIG. 6

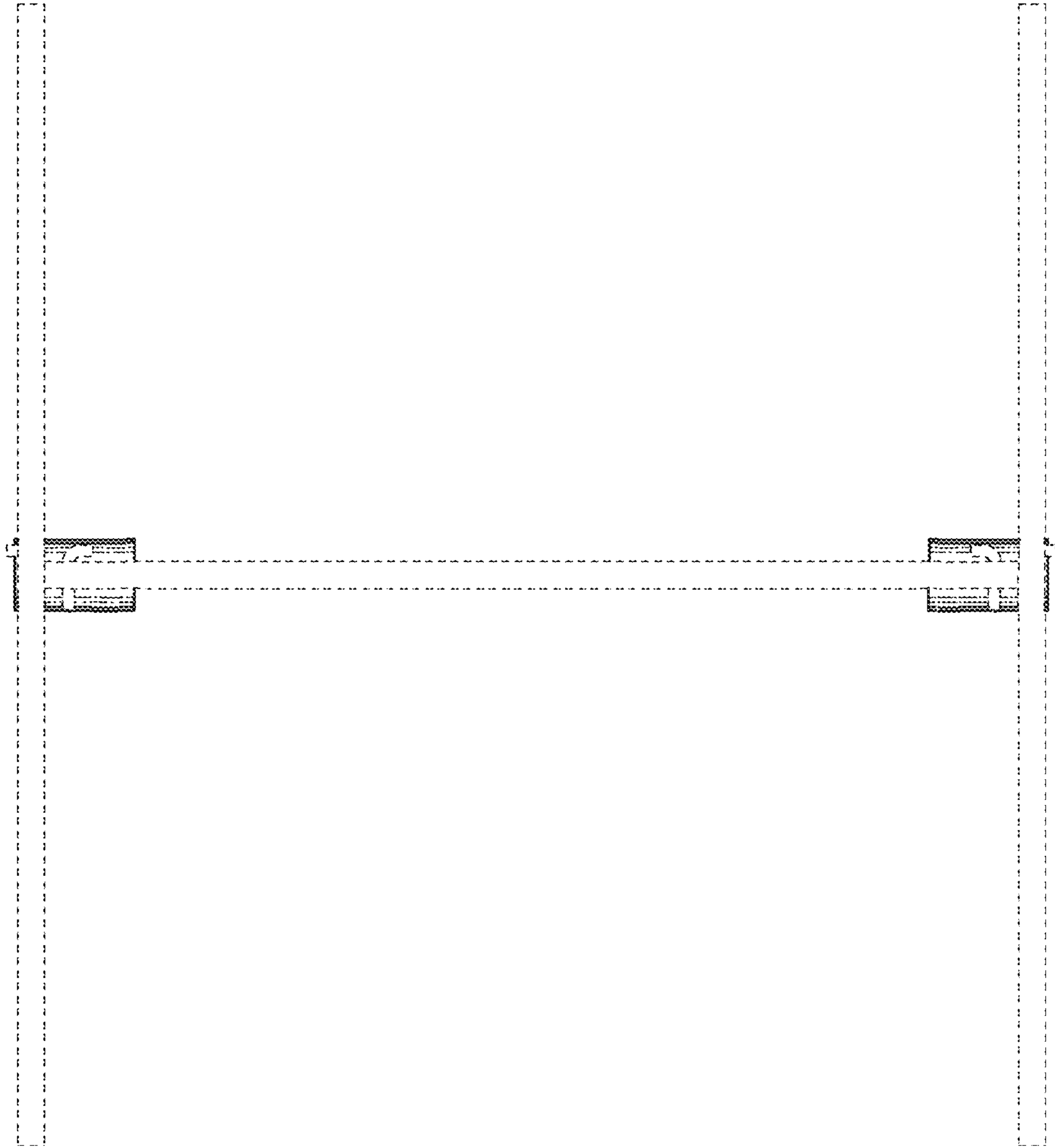


FIG. 7