



US00D889937S

(12) **United States Design Patent** (10) **Patent No.:** **US D889,937 S**
Anderson et al. (45) **Date of Patent:** **** Jul. 14, 2020**

(54) **BRACE** 3,942,904 A 3/1976 Morris
3,964,773 A 6/1976 Stade et al.
(71) Applicant: **ERICO INTERNATIONAL CORPORATION**, Solon, OH (US) 3,967,528 A * 7/1976 Baker B64D 7/08
89/1.53

(Continued)

(72) Inventors: **Scott Ernest Anderson**, Garrettsville, OH (US); **Jeffrey Kyle Jackson**, Sagamore Hills, OH (US); **Eric Christian Osborn**, Medina, OH (US)

FOREIGN PATENT DOCUMENTS

EP 0407456 B1 3/1994
EP 0666444 B1 8/1995

(Continued)

(73) Assignee: **ERICO INTERNATIONAL CORPORATION**, Solon, OH (US)

Primary Examiner — Janice Hallmark

Assistant Examiner — Harold E Blackwell, II

(**) Term: **15 Years**

(74) *Attorney, Agent, or Firm* — Quarles & Brady LLP

(21) Appl. No.: **29/566,495**

(57) **CLAIM**

The ornamental design for a brace, as shown and described.

(22) Filed: **May 31, 2016**

(51) **LOC (12) Cl.** **08-05**

(52) **U.S. Cl.**
USPC **D8/354**

DESCRIPTION

(58) **Field of Classification Search**
USPC D8/48, 71, 315–322, 354–355, 378–381,
D8/400–499; D12/420, 223;
D25/119–125, 199, 113
CPC A61B 1/00; A61B 17/00; A61B 2217/00;
A61B 2218/00; H02G 1/00; H02G
2200/00; H02J 1/00
See application file for complete search history.

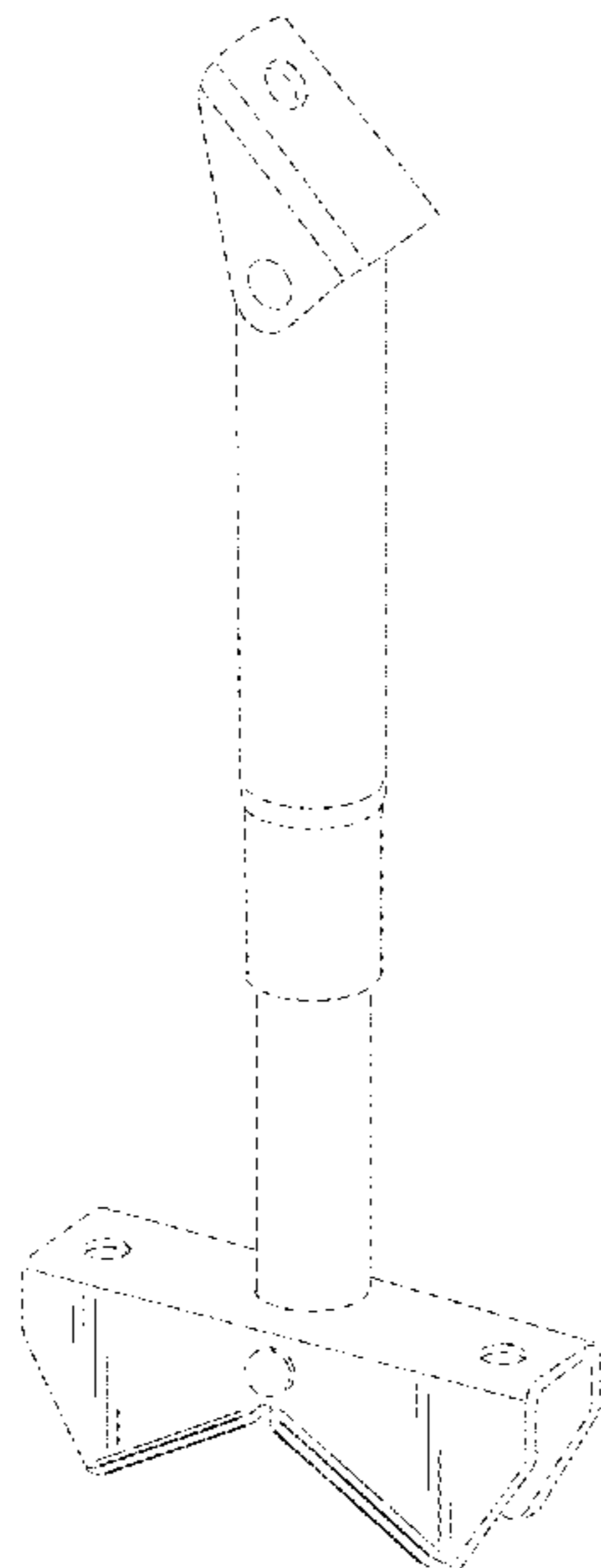
FIG. 1 is a top, front, left perspective view of an ornamental design for a brace;
FIG. 2 is a front elevational view of the brace of FIG. 1;
FIG. 3 is a top plan elevational view of the brace of FIG. 1;
FIG. 4 is a left side elevational view of the brace of FIG. 1;
FIG. 5 is a right side elevational view of the brace of FIG. 1;
FIG. 6 is a bottom plan view of the brace of FIG. 1; and,
FIG. 7 is a rear elevational view of the brace of FIG. 1.
The ornamental design that is claimed is shown in solid lines in the drawings. The broken lines in the drawings illustrate portions of a brace which form no part of the claimed design. Any dash-dot-dash broken lines in the drawings are included to define unclaimed boundaries of the claimed design. The brace is shown with a symbolic break in its length. The appearance of any portion of the article between the break lines forms no part of the claimed design.

(56) **References Cited**

U.S. PATENT DOCUMENTS

459,658 A 9/1891 Schuster
502,150 A 7/1893 Trepus
680,609 A 8/1901 Marquardt
1,576,307 A 3/1926 Casey
1,784,244 A 12/1930 Morris
2,335,833 A 11/1943 Wood
3,574,981 A 4/1971 Henschen
3,700,202 A 10/1972 Donnels

1 Claim, 4 Drawing Sheets



(56)

References Cited

U.S. PATENT DOCUMENTS

4,065,218 A * 12/1977 Biggane E04C 3/02
403/71
4,078,752 A 3/1978 Kindorf
4,196,879 A * 4/1980 Craigie B64D 7/08
244/137.4
4,577,837 A * 3/1986 Berg A47G 27/0493
248/408
5,054,741 A 10/1991 Ismert
5,160,174 A 11/1992 Thompson
5,221,064 A 6/1993 Hodges
5,274,888 A 1/1994 Payne
5,303,887 A 4/1994 Hasty et al.
5,319,907 A 6/1994 Nicholas et al.
5,359,821 A 11/1994 Merriman
5,515,655 A 5/1996 Hoffmann
5,560,162 A 10/1996 Kemeny
5,746,401 A 5/1998 Condon
5,876,000 A 3/1999 Ismert
5,904,323 A * 5/1999 Jakubowski, Jr. B64D 7/08
244/137.4
6,012,691 A * 1/2000 van Leeuwen F16L 3/24
248/228.3
6,273,372 B1 8/2001 Heath
6,508,441 B1 1/2003 Kirschner
6,517,030 B2 2/2003 Heath
6,561,473 B1 5/2003 Ianello
6,637,580 B1 10/2003 Sneed
6,708,930 B2 3/2004 Heath
6,799,607 B1 10/2004 Friedline et al.
6,896,226 B2 5/2005 Heath
6,953,174 B2 10/2005 Heath
7,097,141 B2 8/2006 Heath
7,191,569 B2 3/2007 Brown

7,191,987 B2 3/2007 Heath
7,195,038 B2 3/2007 Friedline et al.
7,219,862 B2 5/2007 Heath
7,367,363 B2 5/2008 Friedline et al.
7,441,730 B2 10/2008 Heath
7,467,765 B2 12/2008 Heath
7,481,247 B2 1/2009 Friedline et al.
7,543,606 B2 6/2009 Friedline et al.
7,654,043 B2 2/2010 Heath
7,669,806 B2 3/2010 Heath
7,871,045 B2 1/2011 Moore et al.
8,052,099 B2 11/2011 Heath
8,100,369 B2 1/2012 Osborn et al.
8,353,143 B2 1/2013 Osborn et al.
8,353,486 B2 1/2013 Osborn et al.
8,534,625 B2 9/2013 Heath et al.
8,726,607 B1 5/2014 Kirschner
9,052,038 B2 6/2015 Radzik
9,163,422 B2 10/2015 Heath
9,168,982 B1 * 10/2015 Robichaux, Jr. B63B 25/002
9,239,067 B2 1/2016 Heath et al.
D790,324 S * 6/2017 Ajello D8/354
9,683,681 B2 * 6/2017 Heath F16L 3/133
2007/0187557 A1 8/2007 Heath
2008/0053549 A1 3/2008 Friedline et al.
2009/0183443 A1 7/2009 Osborn et al.
2010/0107518 A1 5/2010 Heath
2013/0255064 A1 10/2013 McMahan
2015/0252915 A1 9/2015 Heath et al.
2015/0252916 A1 9/2015 Heath et al.

FOREIGN PATENT DOCUMENTS

EP 1604087 B1 12/2005
WO 2012087355 A1 6/2012

* cited by examiner

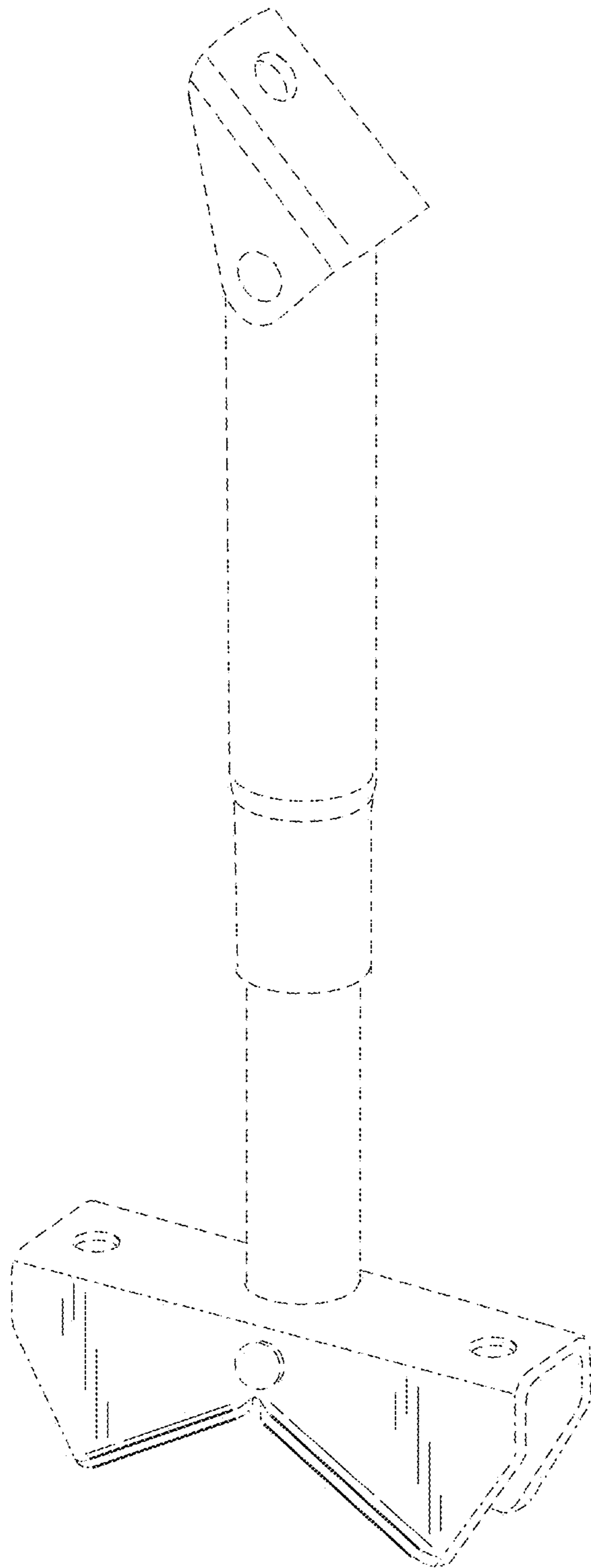


FIG. 1

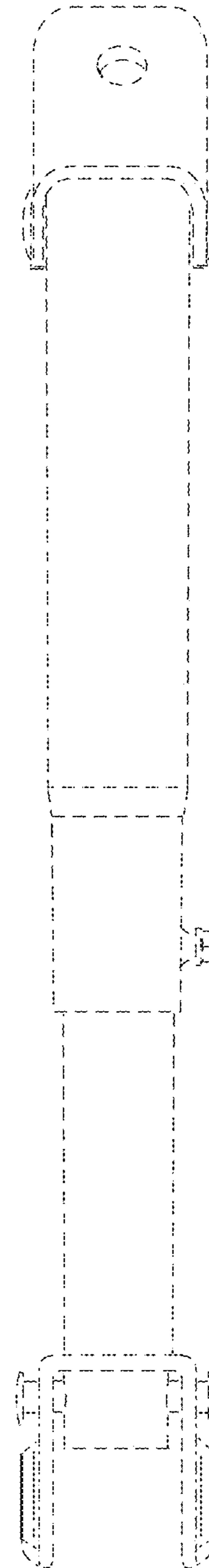


FIG. 2

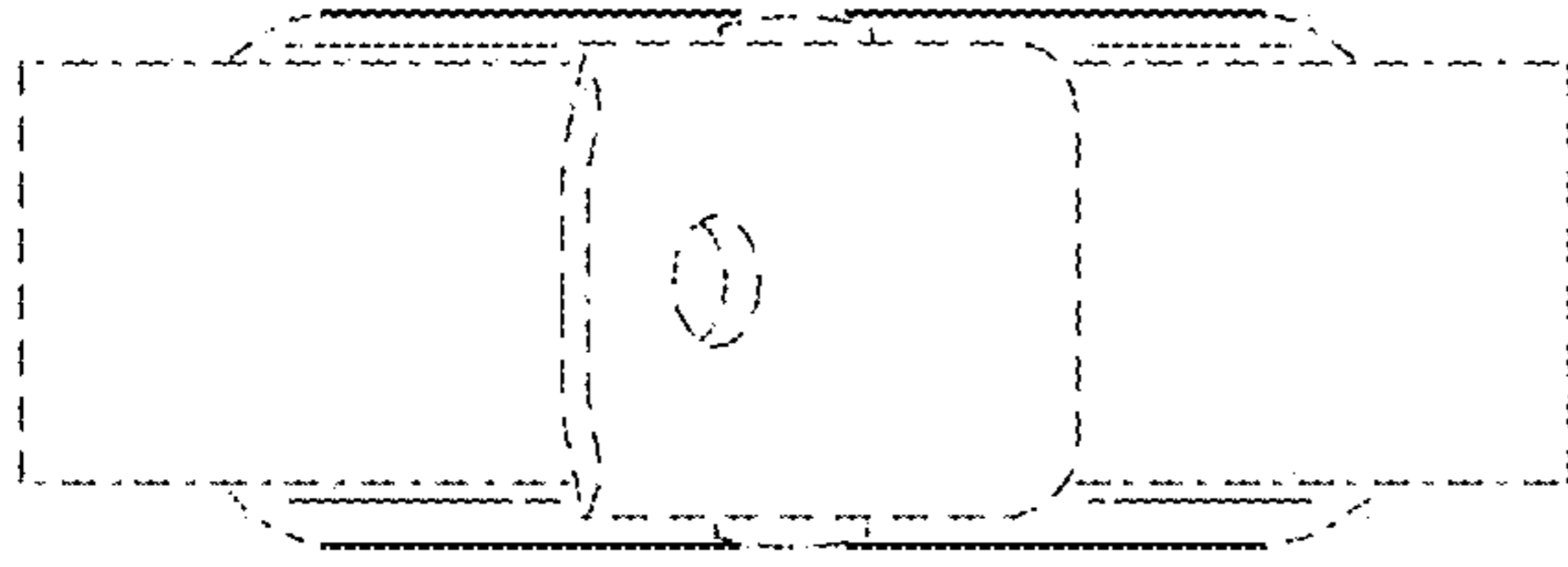


FIG. 3

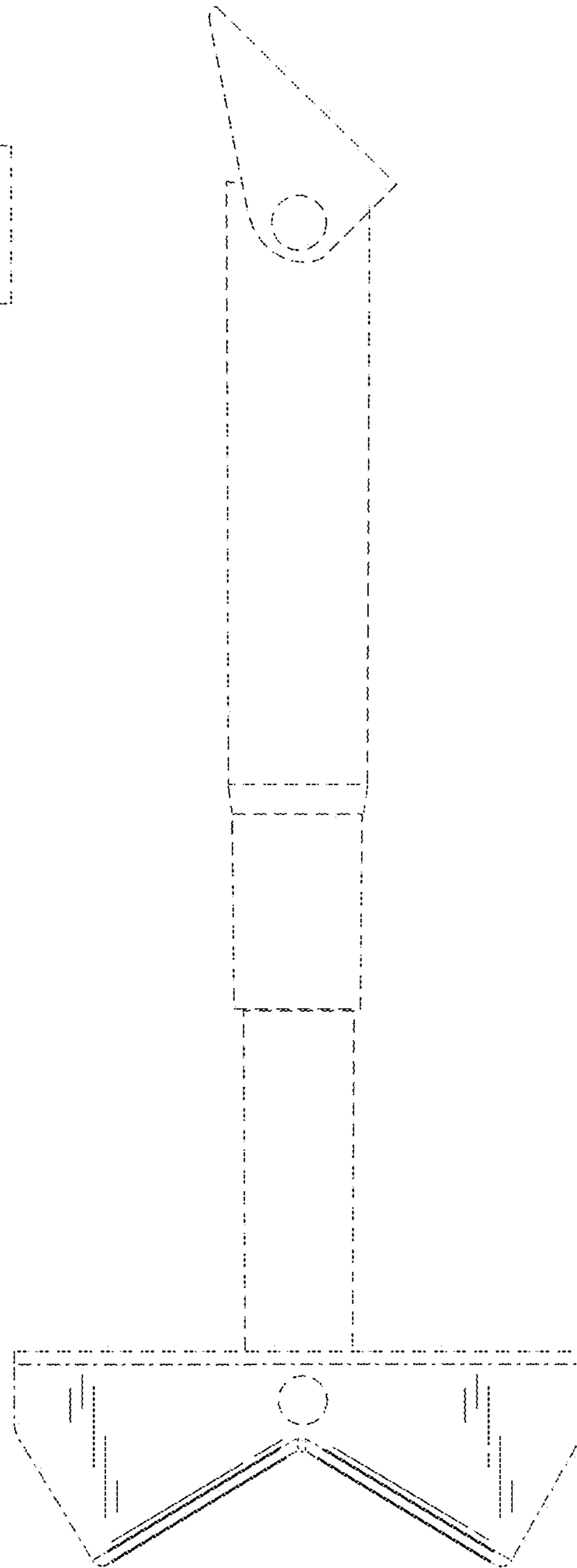


FIG. 4

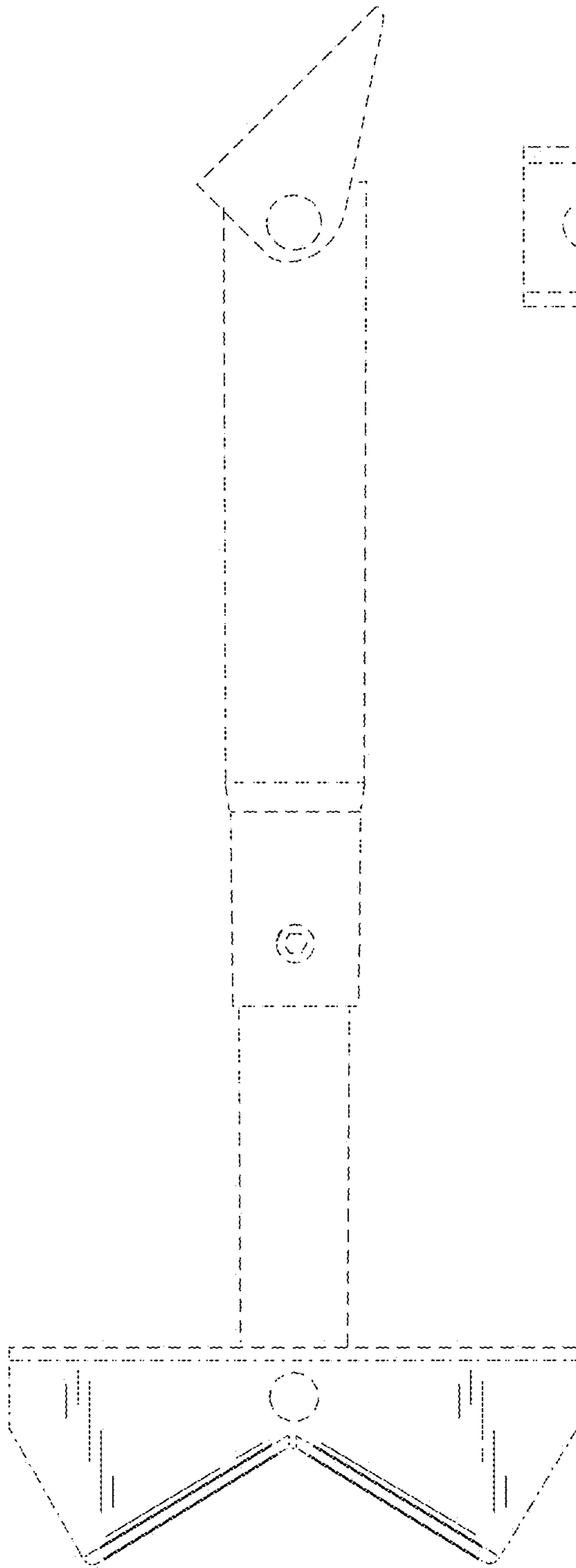


FIG. 5

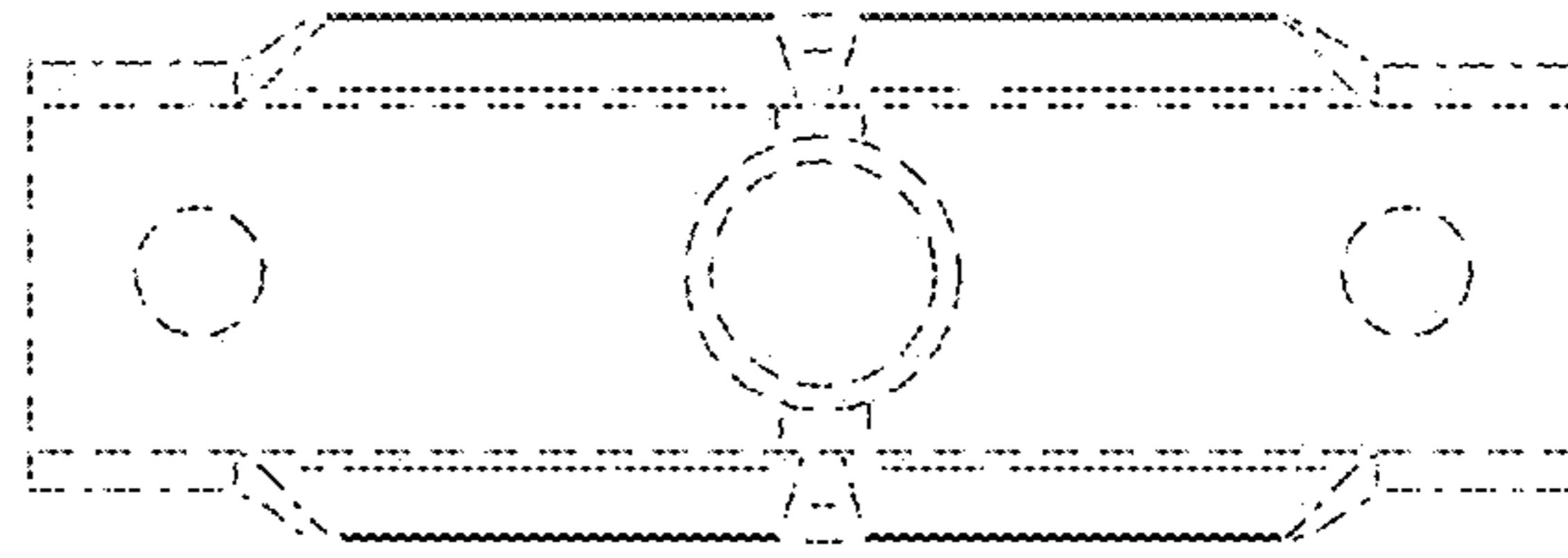


FIG. 6

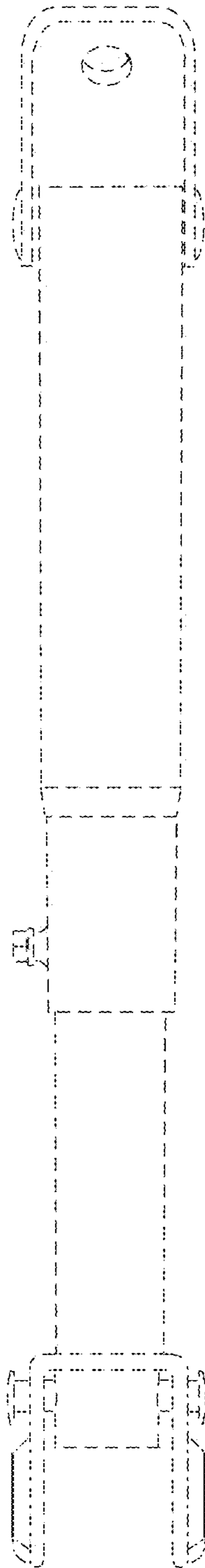


FIG. 7