



US00D889936S

(12) **United States Design Patent**
DeCosta

(10) **Patent No.:** **US D889,936 S**
(45) **Date of Patent:** **** Jul. 14, 2020**

- (54) **BRUSH PLATE ASSEMBLY**
- (71) Applicant: **Thomas DeCosta**, Westport, MA (US)
- (72) Inventor: **Thomas DeCosta**, Westport, MA (US)
- (**) Term: **15 Years**
- (21) Appl. No.: **29/678,219**
- (22) Filed: **Jan. 27, 2019**
- (51) **LOC (12) Cl.** **11-05**
- (52) **U.S. Cl.**
USPC **D8/353; D8/356**
- (58) **Field of Classification Search**
USPC D8/349, 353, 356; D13/131, 153, 177,
D13/199
CPC H02G 3/083; H02G 3/085; H02G 3/185;
H02G 3/14; H02G 3/22
See application file for complete search history.

(56) **References Cited**

U.S. PATENT DOCUMENTS

- 6,632,999 B2 * 10/2003 Sempliner E04F 15/02405
160/19
- D571,641 S * 6/2008 Sempliner D8/356
- D579,762 S * 11/2008 Sempliner D8/356
- 7,495,171 B2 * 2/2009 Gorin H02G 3/085
174/66
- 7,507,912 B1 * 3/2009 Sempliner H02G 3/185
16/2.1
- 7,786,380 B2 * 8/2010 Anderson H02G 3/14
174/66
- D628,155 S * 11/2010 Maurer D13/131

- 8,049,109 B2 * 11/2011 Sempliner H02G 3/185
16/2.1
- 8,314,350 B1 * 11/2012 Gretz H02G 3/14
174/650
- 8,716,602 B2 * 5/2014 Cottuli H02G 3/185
174/151
- 10,128,646 B1 * 11/2018 Gretz H02G 3/123
- D858,254 S * 9/2019 Gao D8/353
- D861,461 S * 10/2019 Gao D8/353
- 2008/0115955 A1 * 5/2008 Gorin H02G 3/085
174/66
- 2014/0284326 A1 * 9/2014 Macaluso H02G 3/185
220/3.3
- 2019/0106933 A1 * 4/2019 O'Leary E06B 7/32

* cited by examiner

Primary Examiner — Selina Sikder

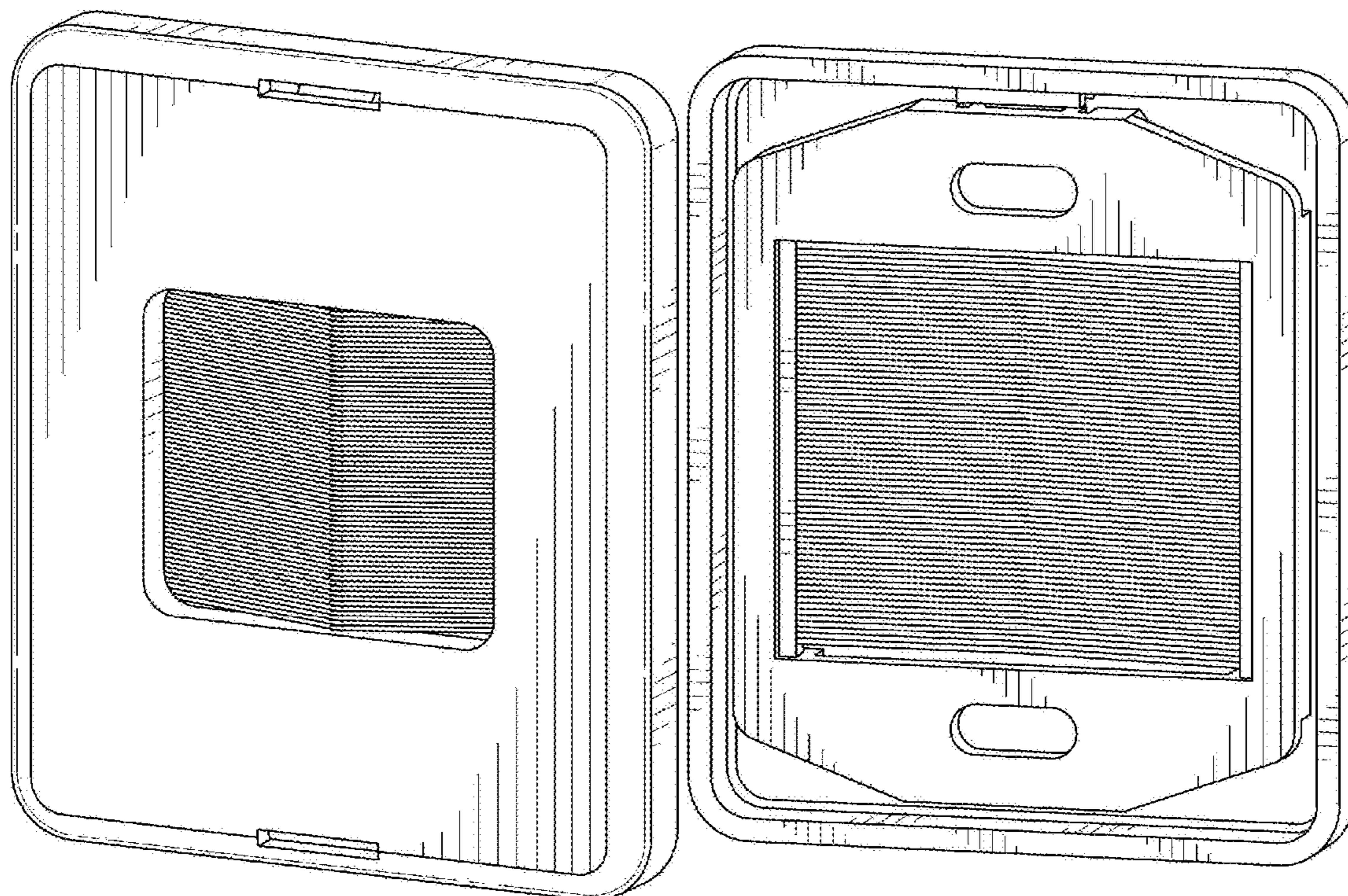
(57) **CLAIM**

The ornamental design for a brush plate assembly, as shown and described.

DESCRIPTION

FIG. 1 is a front perspective view of the brush plate assembly, showing my new design;
 FIG. 2 is a rear perspective view of FIG. 1;
 FIG. 3 is a front elevation view of FIG. 1;
 FIG. 4 is a rear elevation view of FIG. 1;
 FIG. 5 is a rear view of FIG. 1;
 FIG. 6 is a bottom view of FIG. 1;
 FIG. 7 is a right side view of FIG. 1;
 FIG. 8 is a left side view of FIG. 1;
 FIG. 9 is a rear exploded view of FIG. 1; and,
 FIG. 10 is a front exploded view of FIG. 1.

1 Claim, 8 Drawing Sheets



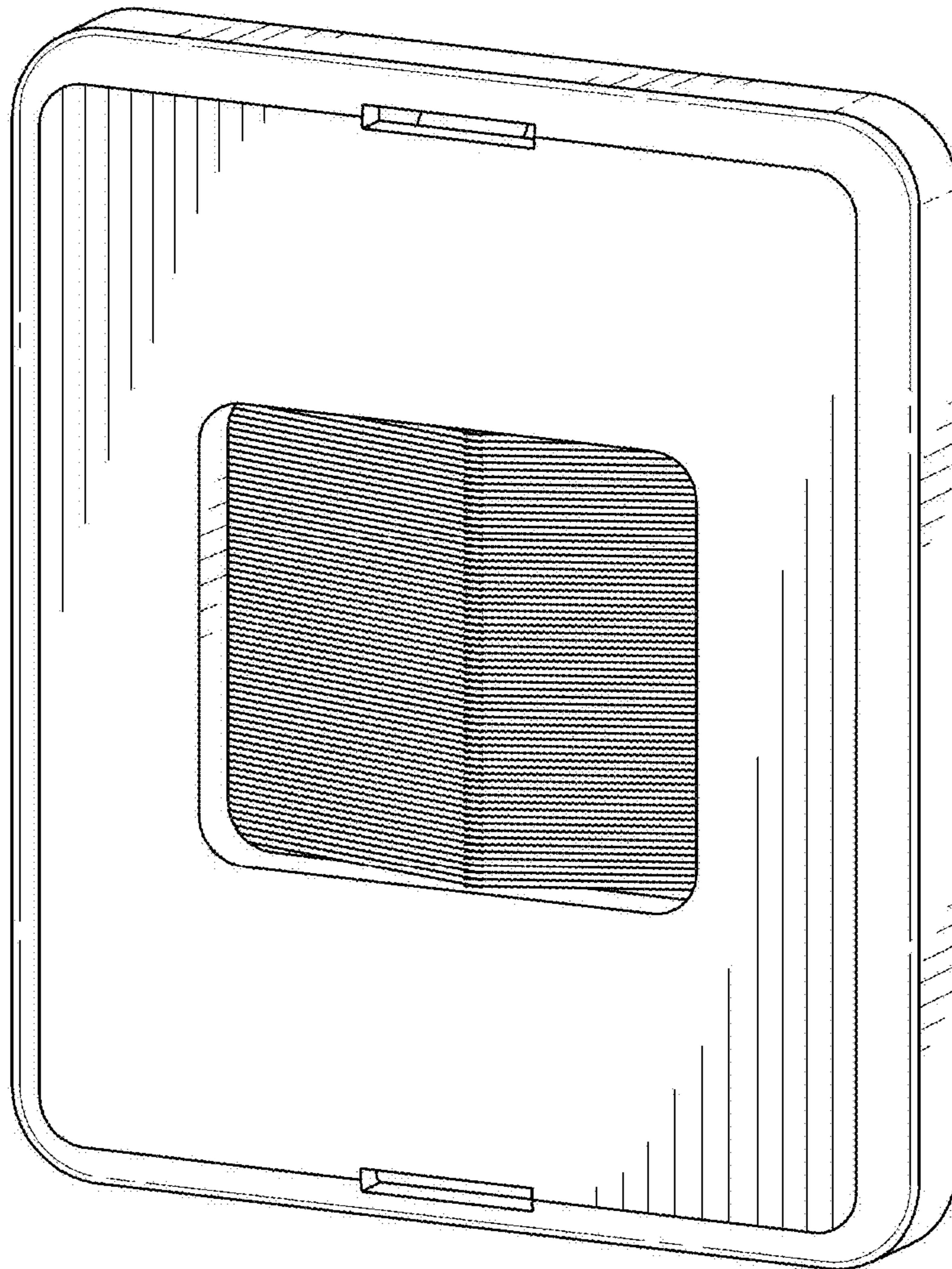


FIG. 1

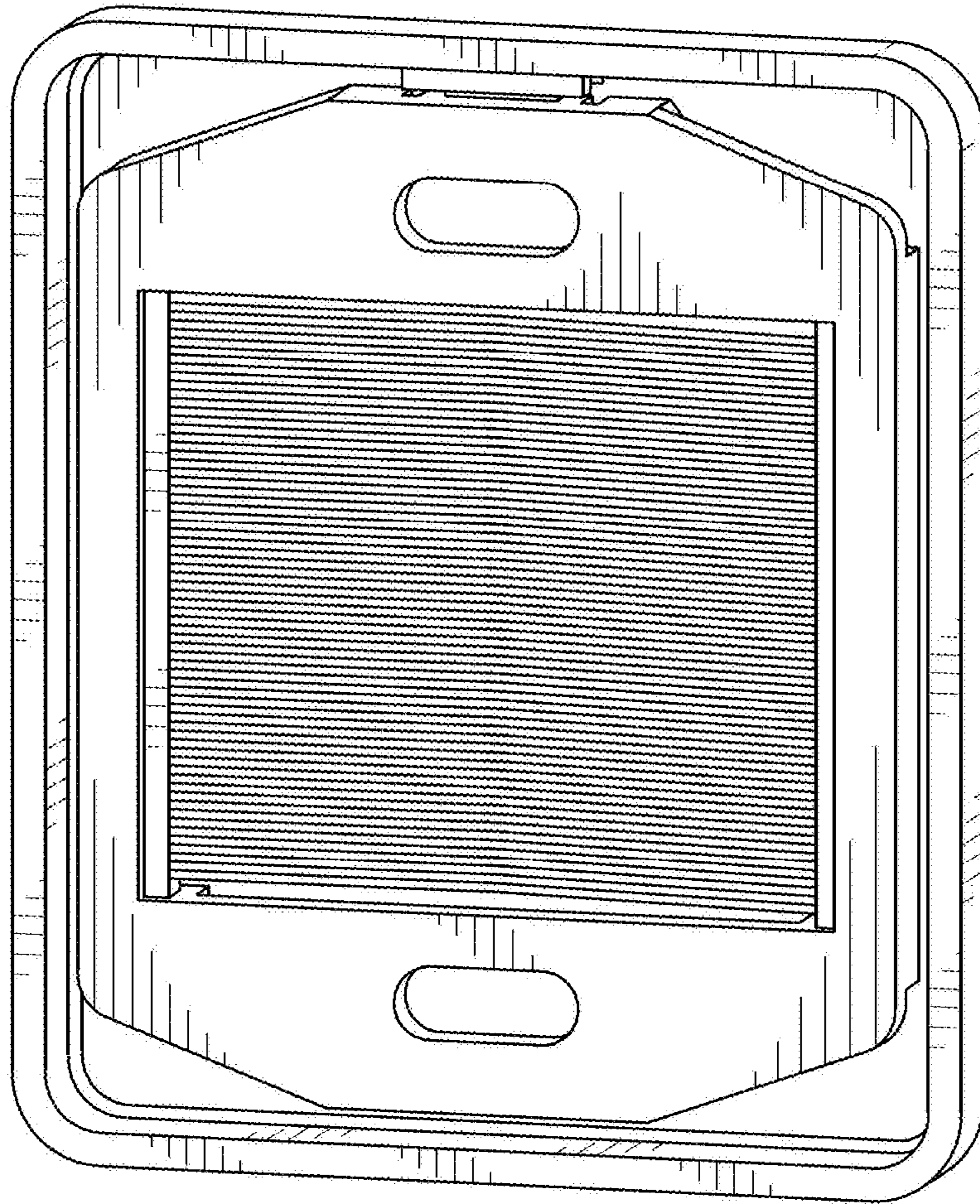


FIG. 2

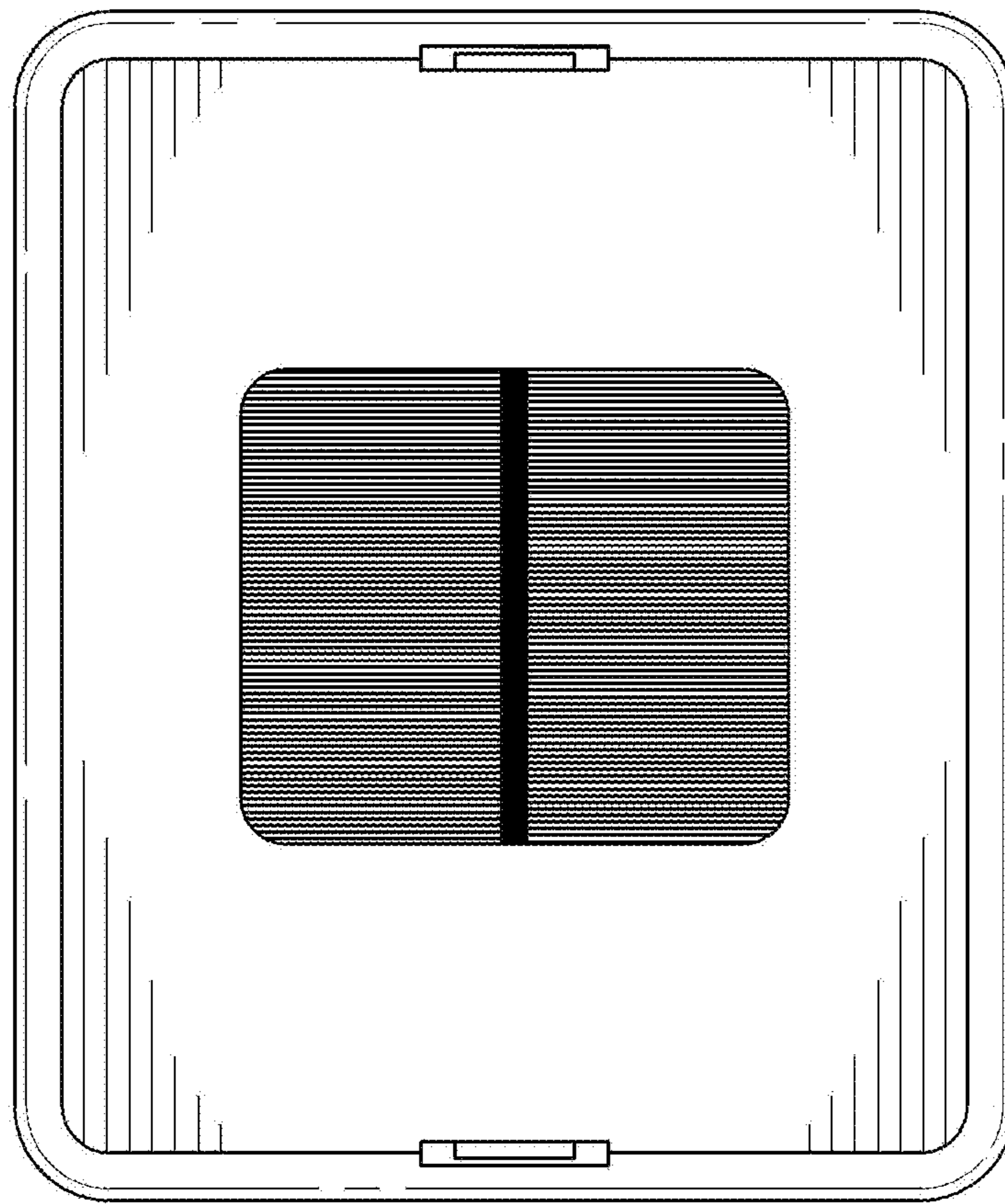


FIG. 3

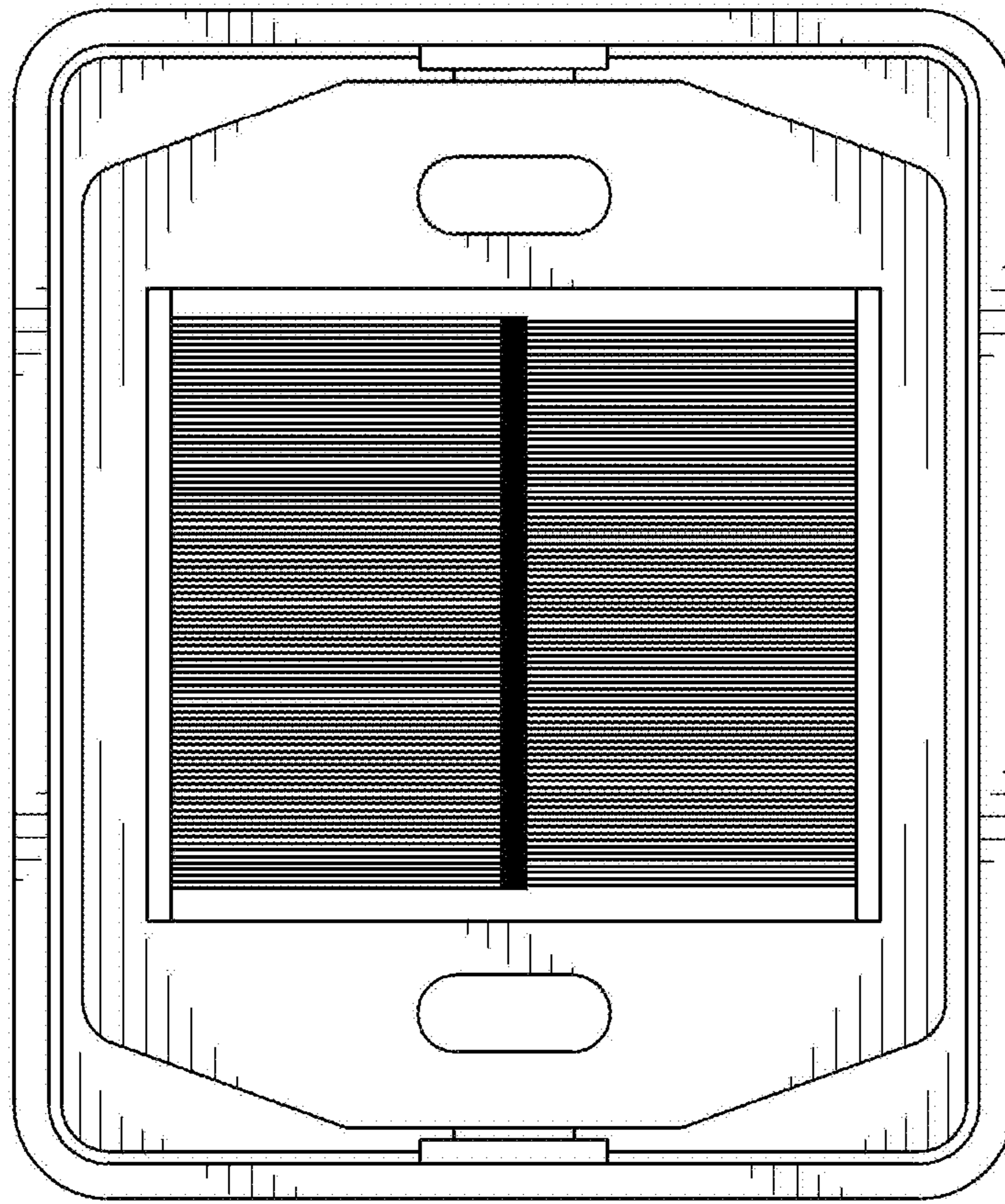


FIG. 4

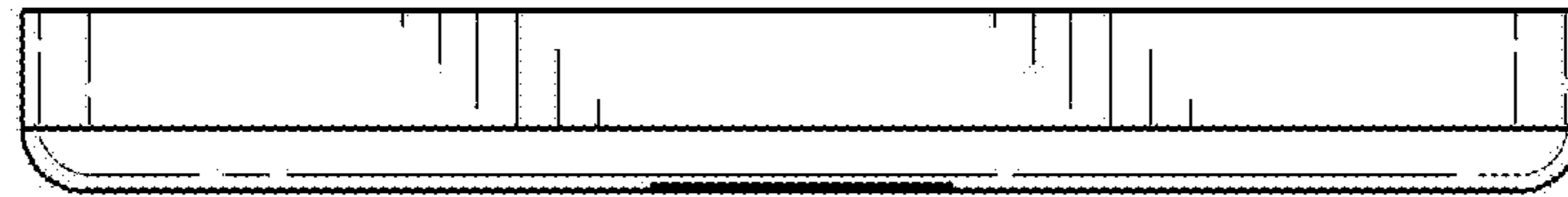


FIG. 5

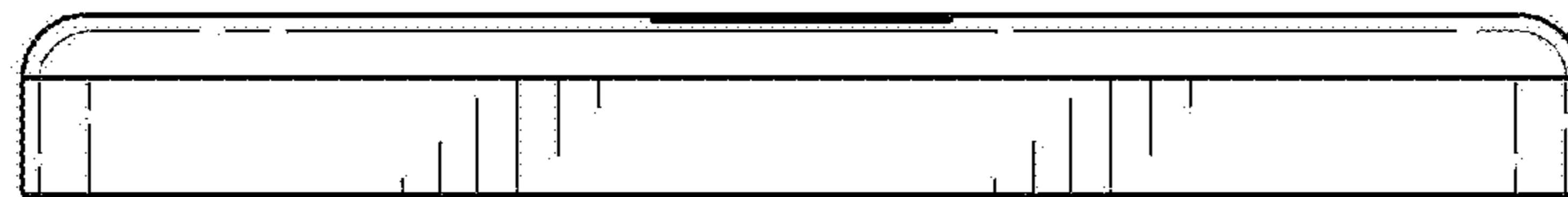


FIG. 6

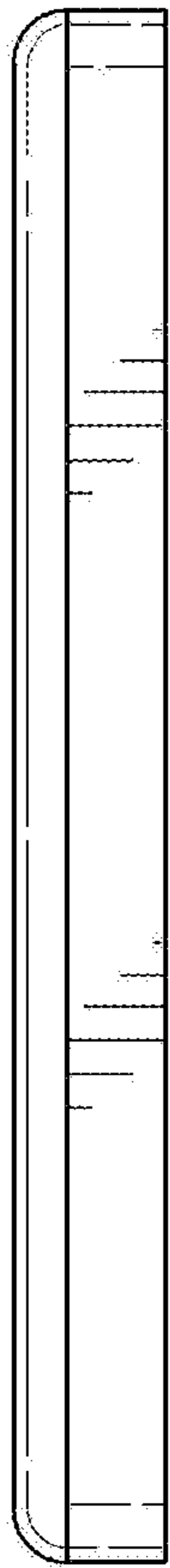


FIG. 7

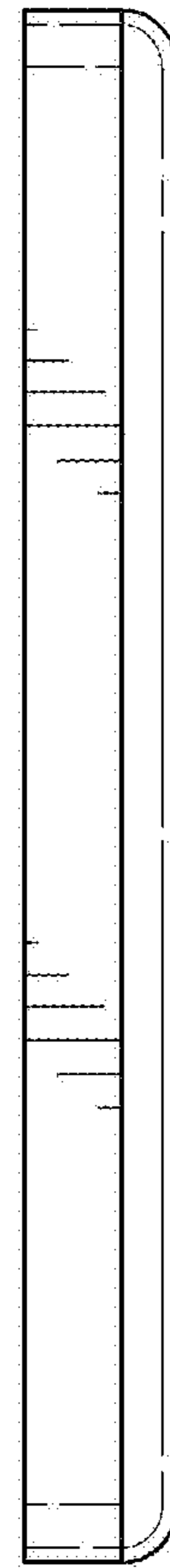


FIG. 8

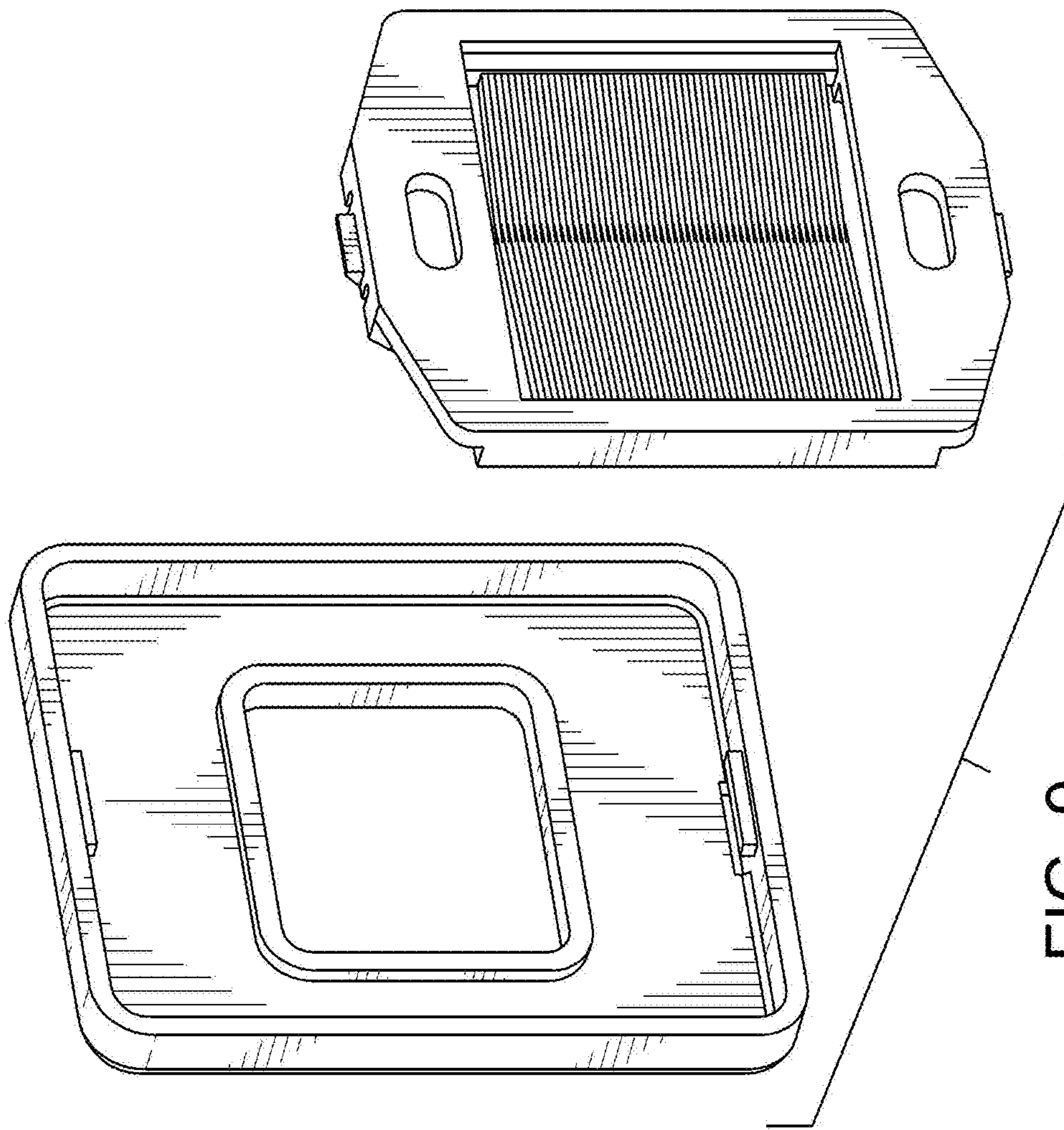


FIG. 9

