



US00D889935S

(12) **United States Design Patent**
Prince

(10) **Patent No.:** **US D889,935 S**
(45) **Date of Patent:** **** Jul. 14, 2020**

(54) **ARTICULATING ARM ASSEMBLY**

D347,988 S 6/1994 Thorne
5,548,983 A 8/1996 Hart
D474,100 S 5/2003 Zapushek
7,150,079 B2 12/2006 Lundstedt

(71) Applicant: **Ergotron, Inc.**, St. Paul, MN (US)

(72) Inventor: **David James Prince**, Saint Paul, MN (US)

(Continued)

(73) Assignee: **Ergotron, Inc.**, St. Paul, MN (US)

(**) Term: **15 Years**

(21) Appl. No.: **29/718,948**

(22) Filed: **Dec. 30, 2019**

OTHER PUBLICATIONS

U.S. Appl. No. 29/639,261, filed Mar. 5, 2018, Articulating Arm Assembly.

(Continued)

Primary Examiner — Mark A Goodwin

Assistant Examiner — Benjamin M Weeks

(74) *Attorney, Agent, or Firm* — Schwegman Lundberg & Woessner, P.A.

Related U.S. Application Data

(60) Division of application No. 29/661,735, filed on Aug. 30, 2018, now Pat. No. Des. 874,902, which is a continuation-in-part of application No. 29/639,261, filed on Mar. 5, 2018.

(51) **LOC (12) Cl.** **08-08**

(52) **U.S. Cl.**
USPC **D8/349**

(58) **Field of Classification Search**
USPC D6/672, 684, 680, 683.1, 703.5; D8/349, D8/354, 355, 330, 331, 333, 380, 382; D13/154, 133, 129, 199; D25/119, 164, D25/199, 139, 141; D26/138, 76, 78, 79, D26/80
CPC .. F16C 2314/72; F16C 29/0623; F16C 29/06; F16C 29/0609; F16C 29/005; F16C 29/008; F16C 29/04; F16C 29/0657; F16C 29/004; F16C 29/12; A47B 1/10; A47B 88/493; A47B 88/423; A47B 2088/4235

See application file for complete search history.

(56) **References Cited**

U.S. PATENT DOCUMENTS

3,921,422 A 11/1975 Walters
D332,043 S 12/1992 Linhart

(57) **CLAIM**

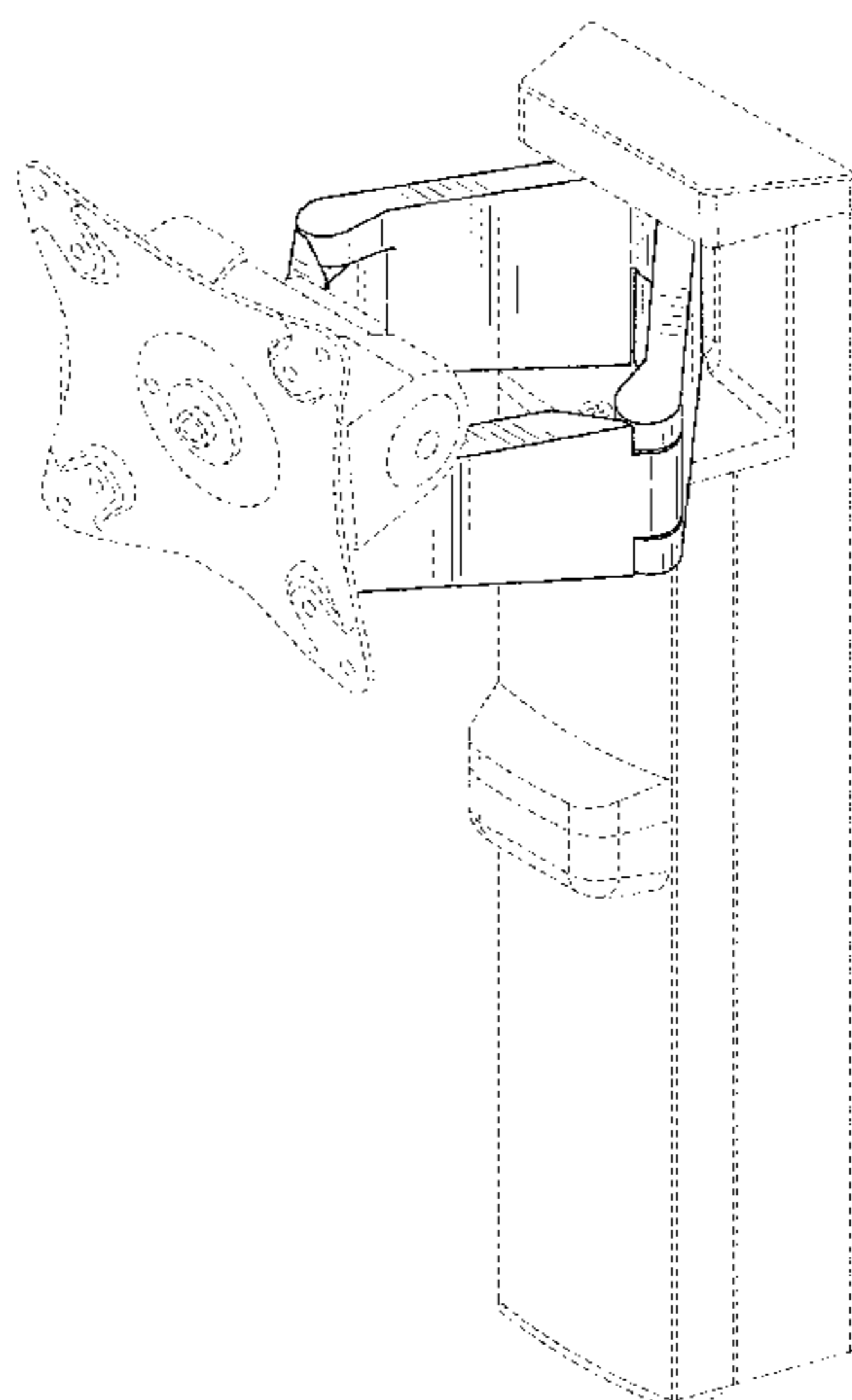
The ornamental design for an articulating arm assembly, as shown and described.

DESCRIPTION

FIG. 1 is a top-perspective view of an articulating arm assembly;
FIG. 2 is a front view thereof;
FIG. 3 is a back view thereof;
FIG. 4 is a right-side view thereof;
FIG. 5 is a left-side view thereof;
FIG. 6 is a top view thereof; and
FIG. 7 is a bottom view thereof.
FIG. 8 is a top-perspective view of the articulating arm assembly, shown in a collapsed state;
FIG. 9 is a front view thereof;
FIG. 10 is a back view thereof;
FIG. 11 is a right-side view thereof;
FIG. 12 is a left-side view thereof;
FIG. 13 is a top view thereof; and,
FIG. 14 is a bottom view thereof.

The broken lines shown in the drawings are for illustrative purposes only and form no part of the claimed design.

1 Claim, 10 Drawing Sheets



(56)

References Cited

U.S. PATENT DOCUMENTS

D633,377 S	3/2011	Chan	
D633,784 S	3/2011	Iwama	
8,302,436 B2	11/2012	Cheung	
8,534,754 B2	9/2013	Livne	
D724,412 S	3/2015	Stevens	
9,341,004 B2	5/2016	Elson	
D841,436 S	2/2019	Ito et al.	
D874,250 S *	2/2020	Stoops	D8/355
D874,902 S *	2/2020	Prince	D8/349
D877,601 S *	3/2020	White	D8/380

OTHER PUBLICATIONS

U.S. Appl. No. 29/661,735, filed Aug. 30, 2018, Articulating Arm Assembly.

“U.S. Appl. No. 29/661,735, Notice of Allowance dated Oct. 9, 2019”, 8 pgs.

“U.S. Appl. No. 29/661,735, Response filed Aug. 29, 2019 to Restriction Requirement dated Jul. 11, 2019”, 5 pgs.

“U.S. Appl. No. 29/661,735, Restriction Requirement dated Jul. 11, 2019”, 7 pgs.

“U.S. Appl. No. 29/639,261, Restriction Requirement, dated Feb. 5, 2020”, 7 pgs.

* cited by examiner

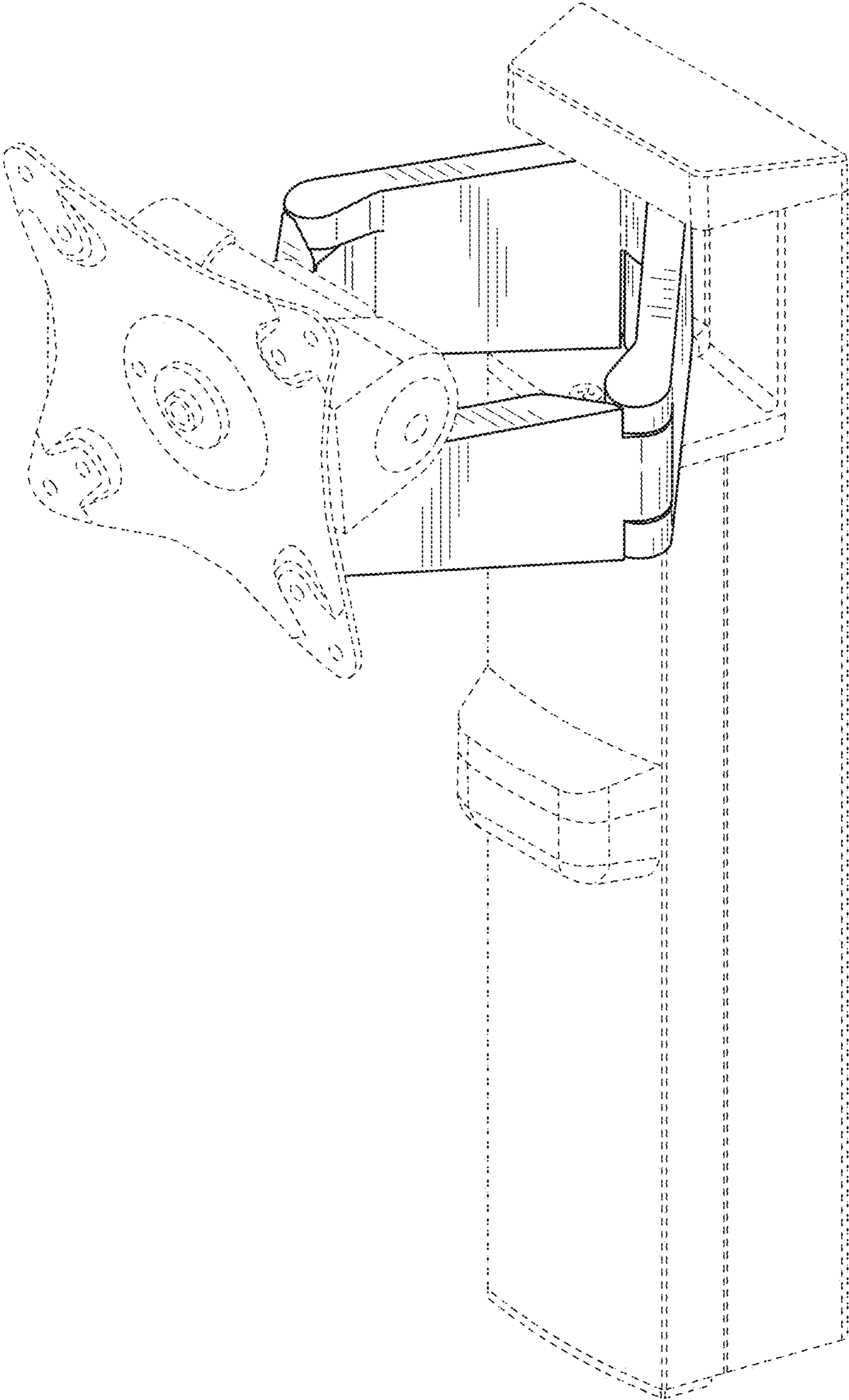
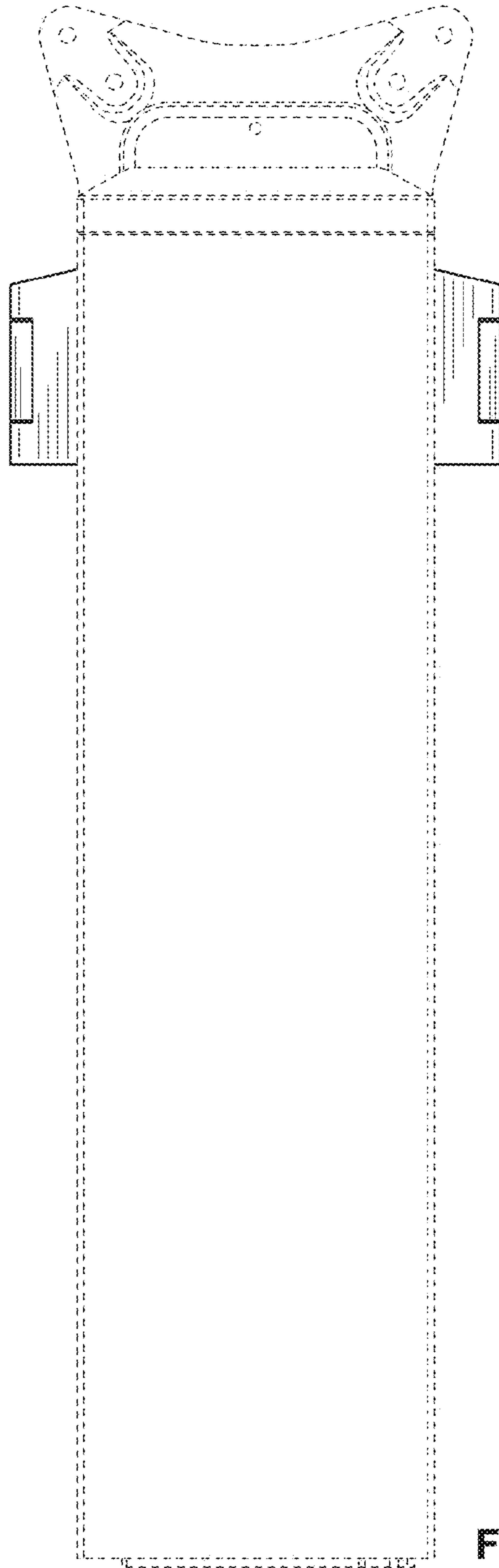
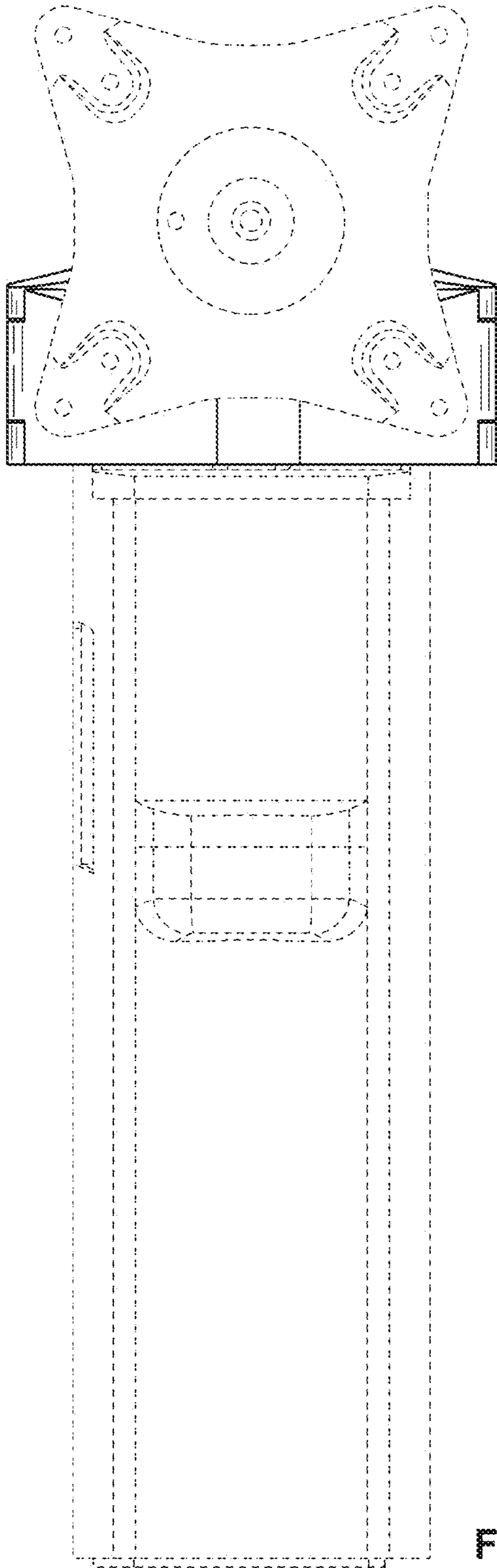


FIG. 1



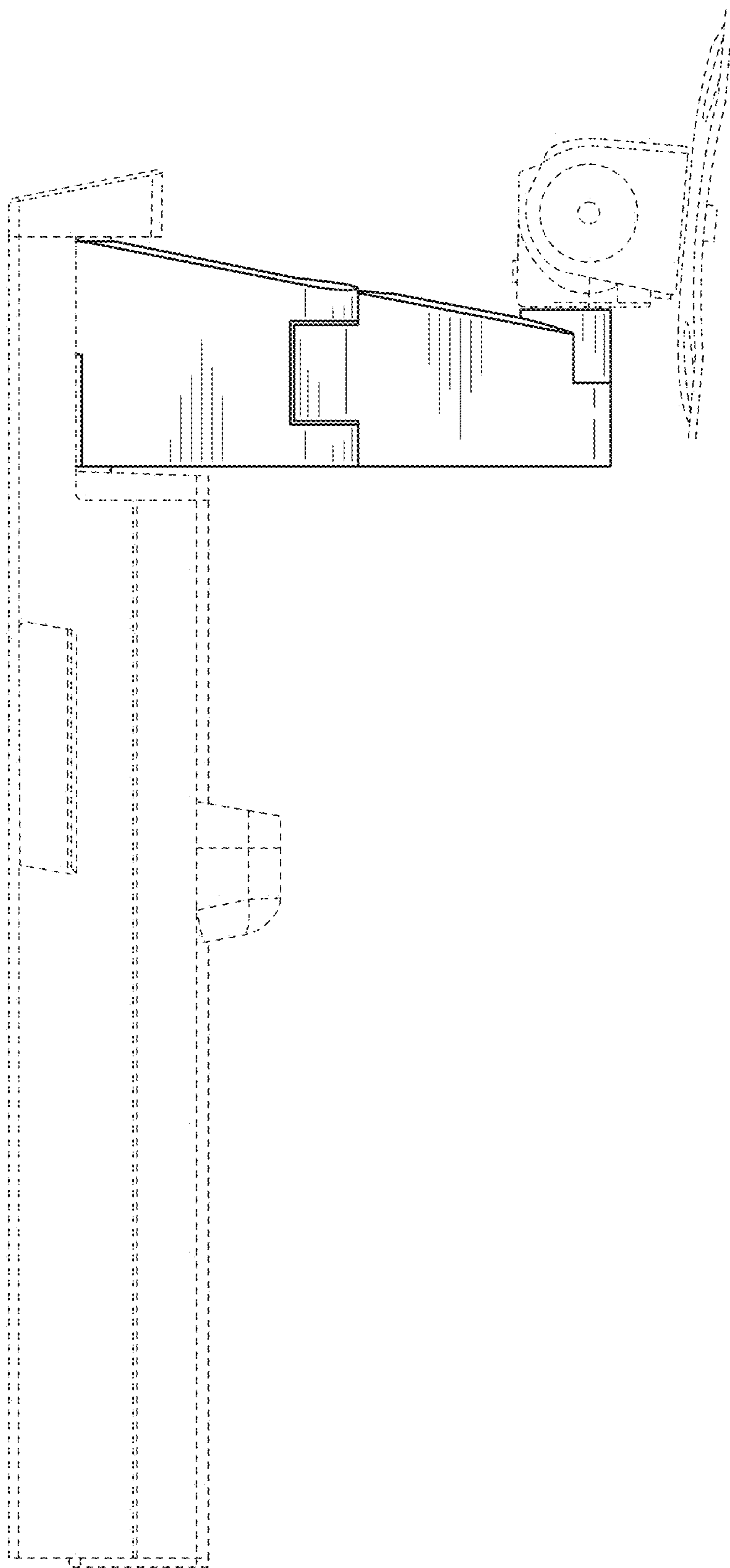


FIG. 4

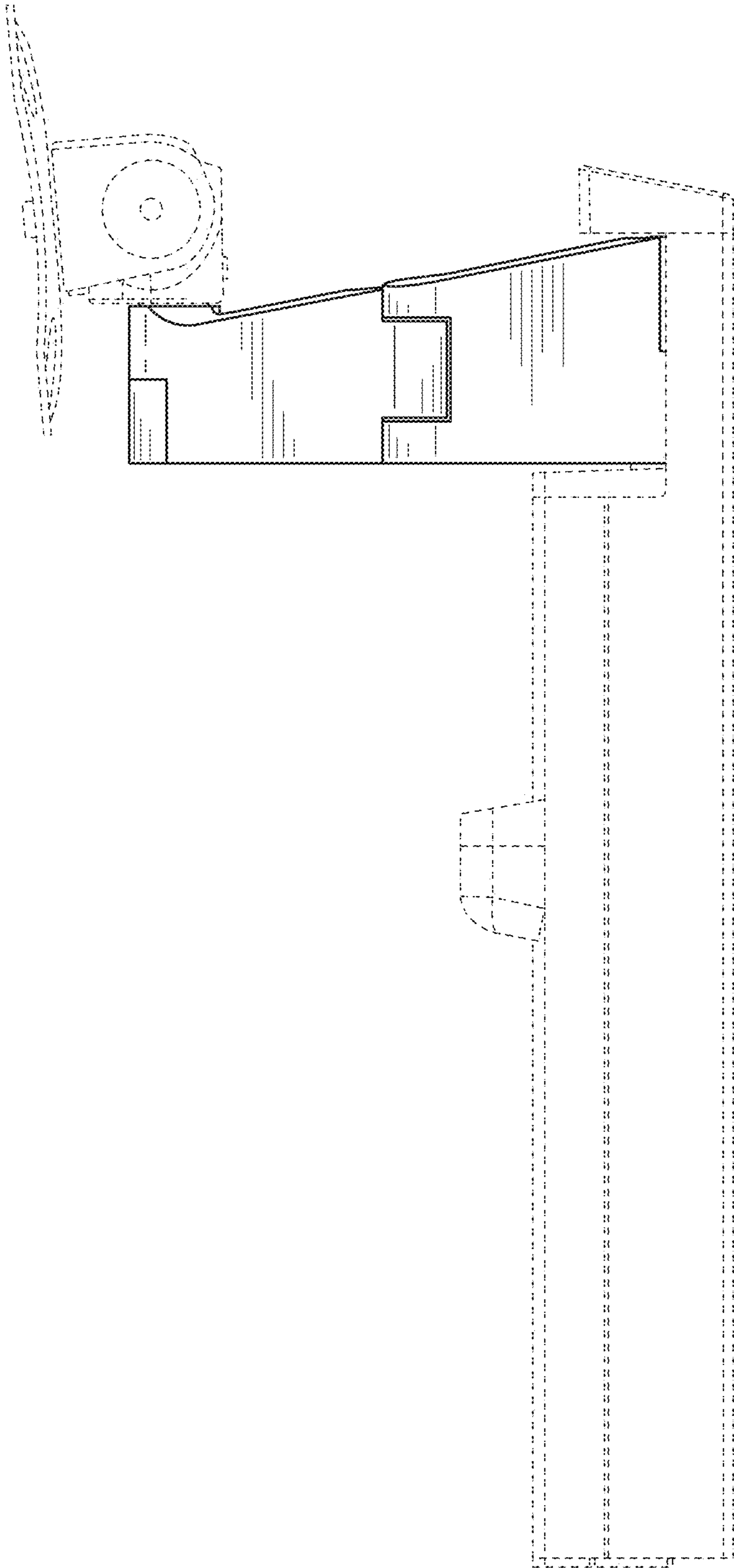


FIG. 5

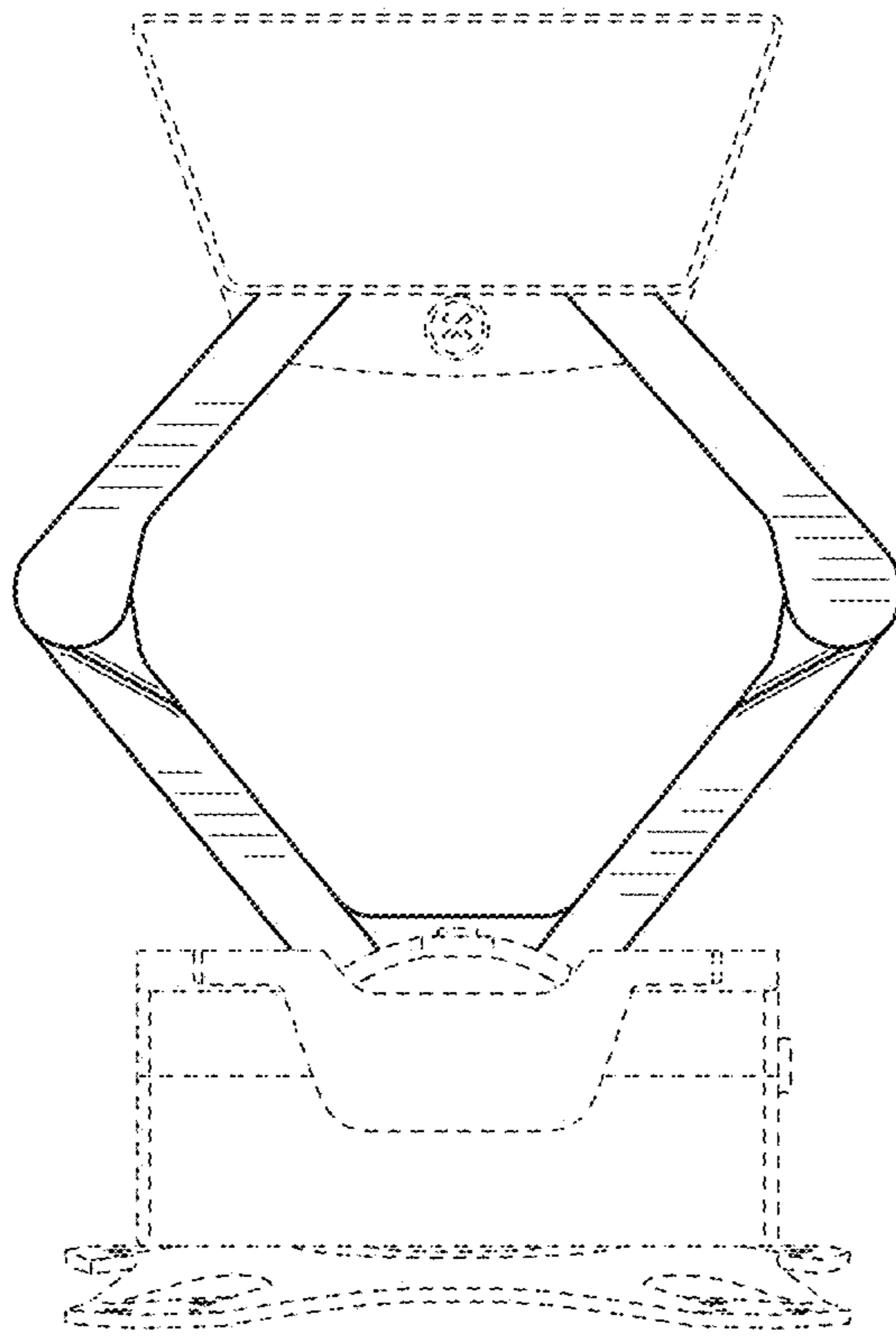


FIG. 6

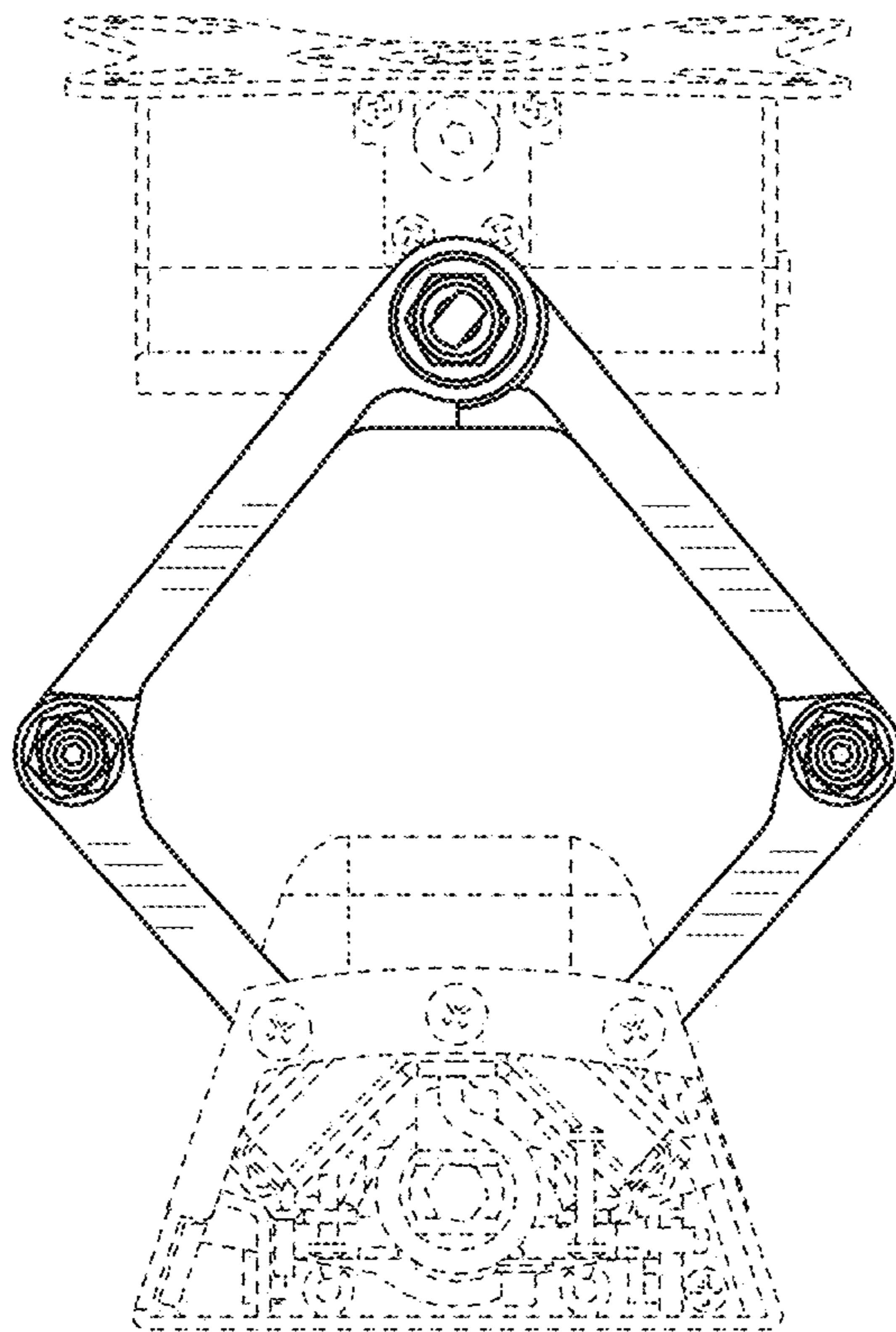


FIG. 7

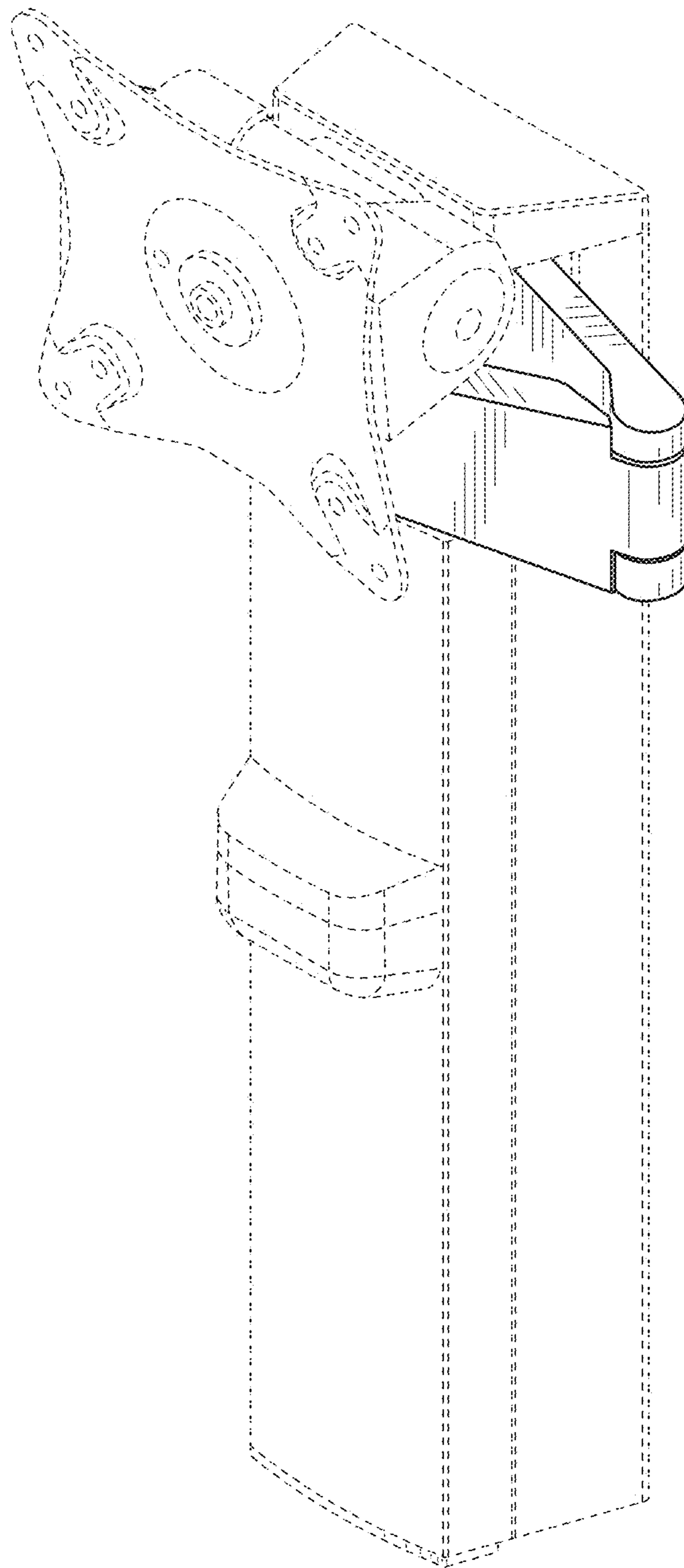


FIG. 8

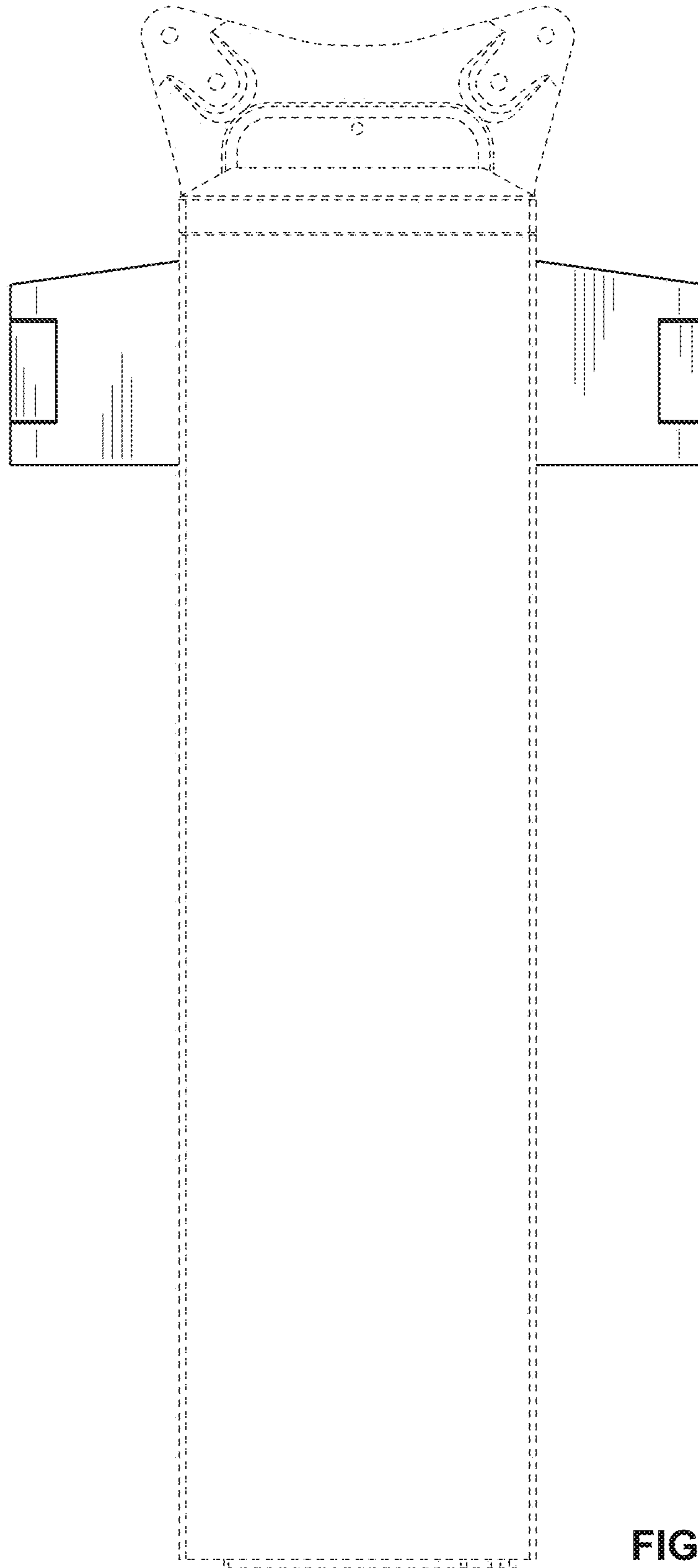


FIG. 9

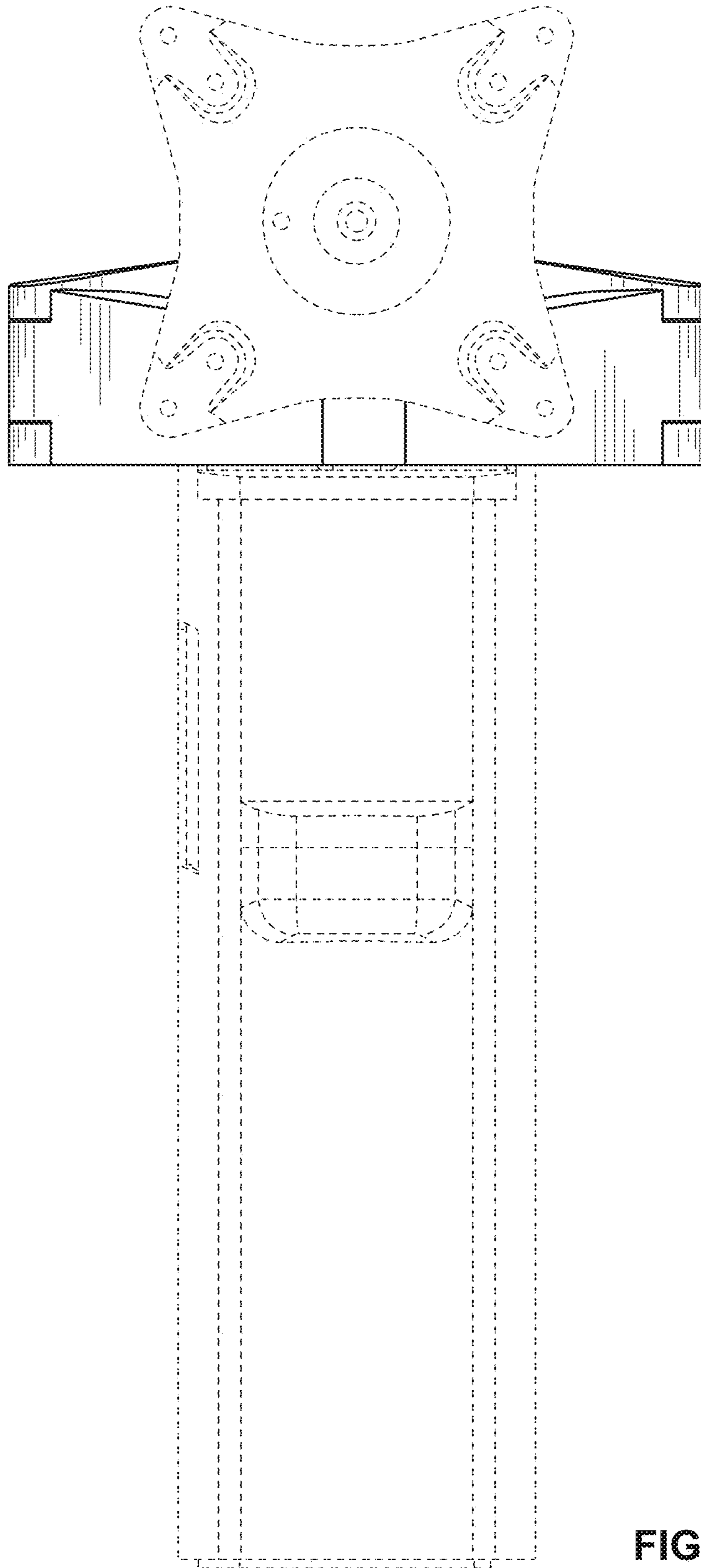


FIG. 10

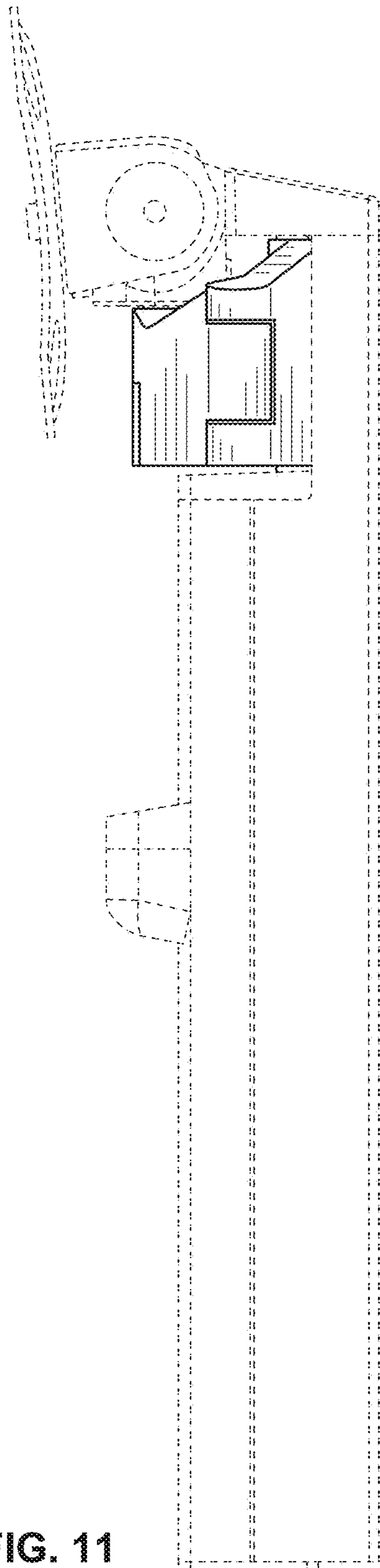


FIG. 11

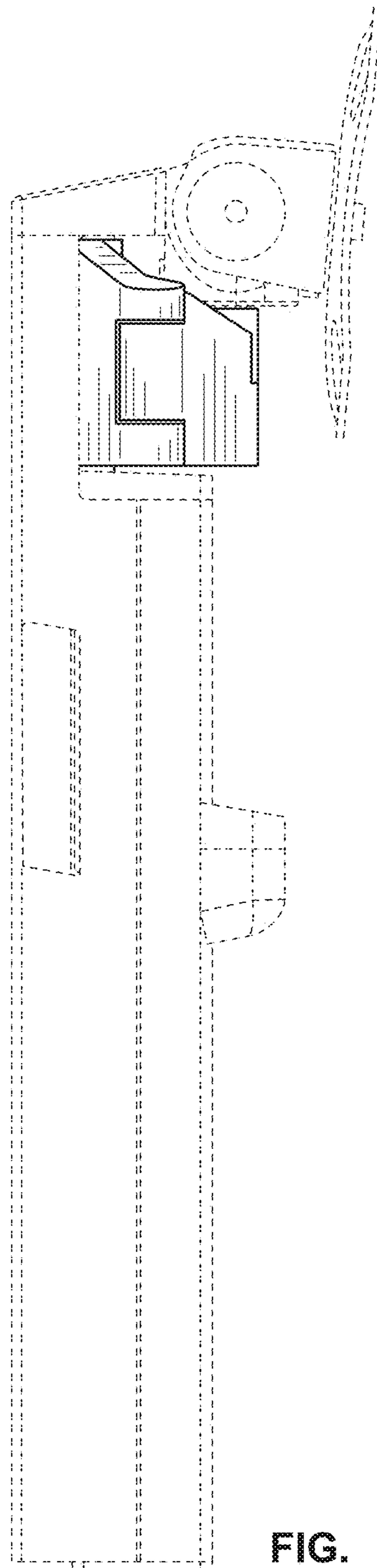


FIG. 12

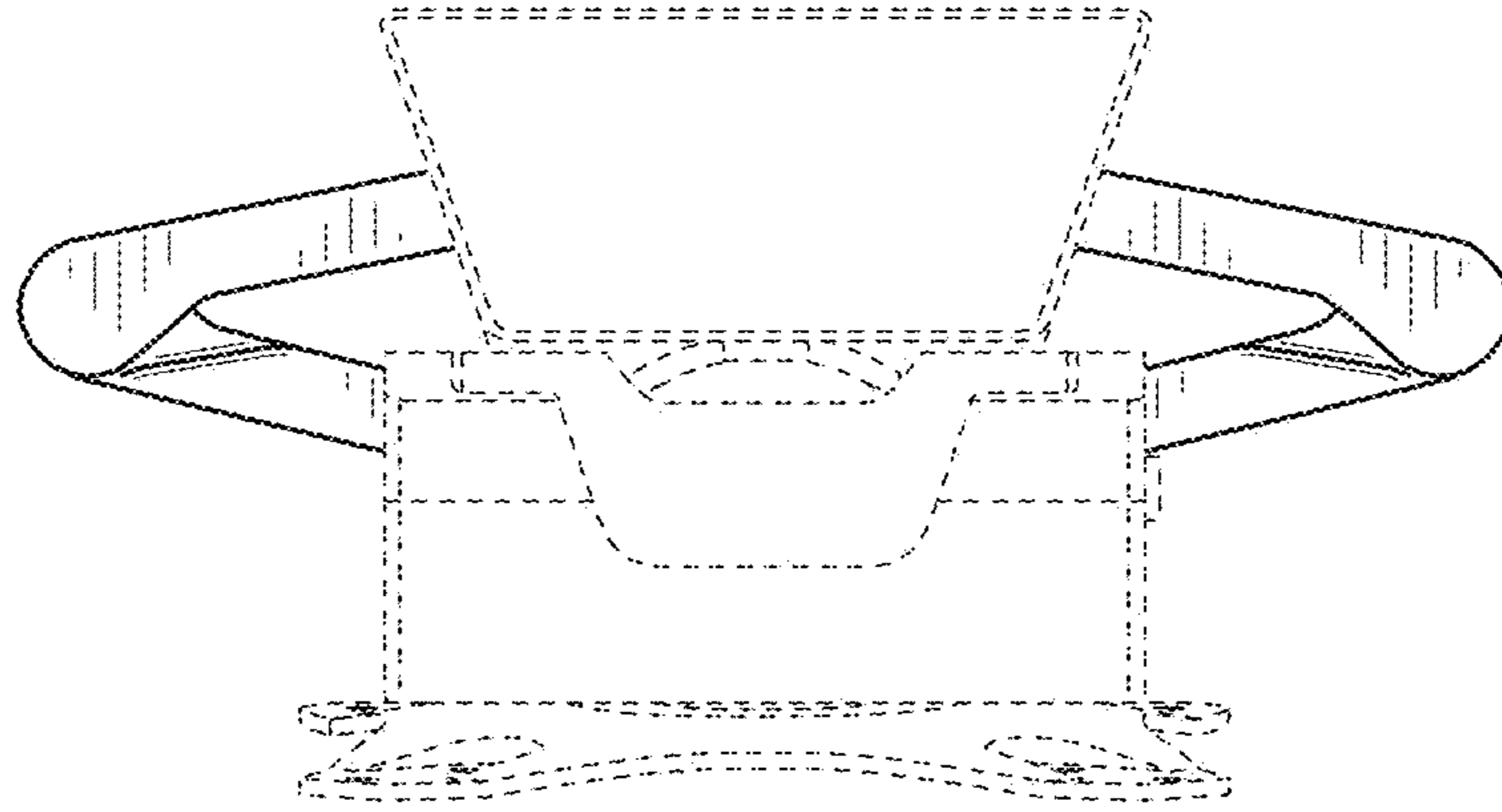


FIG. 13

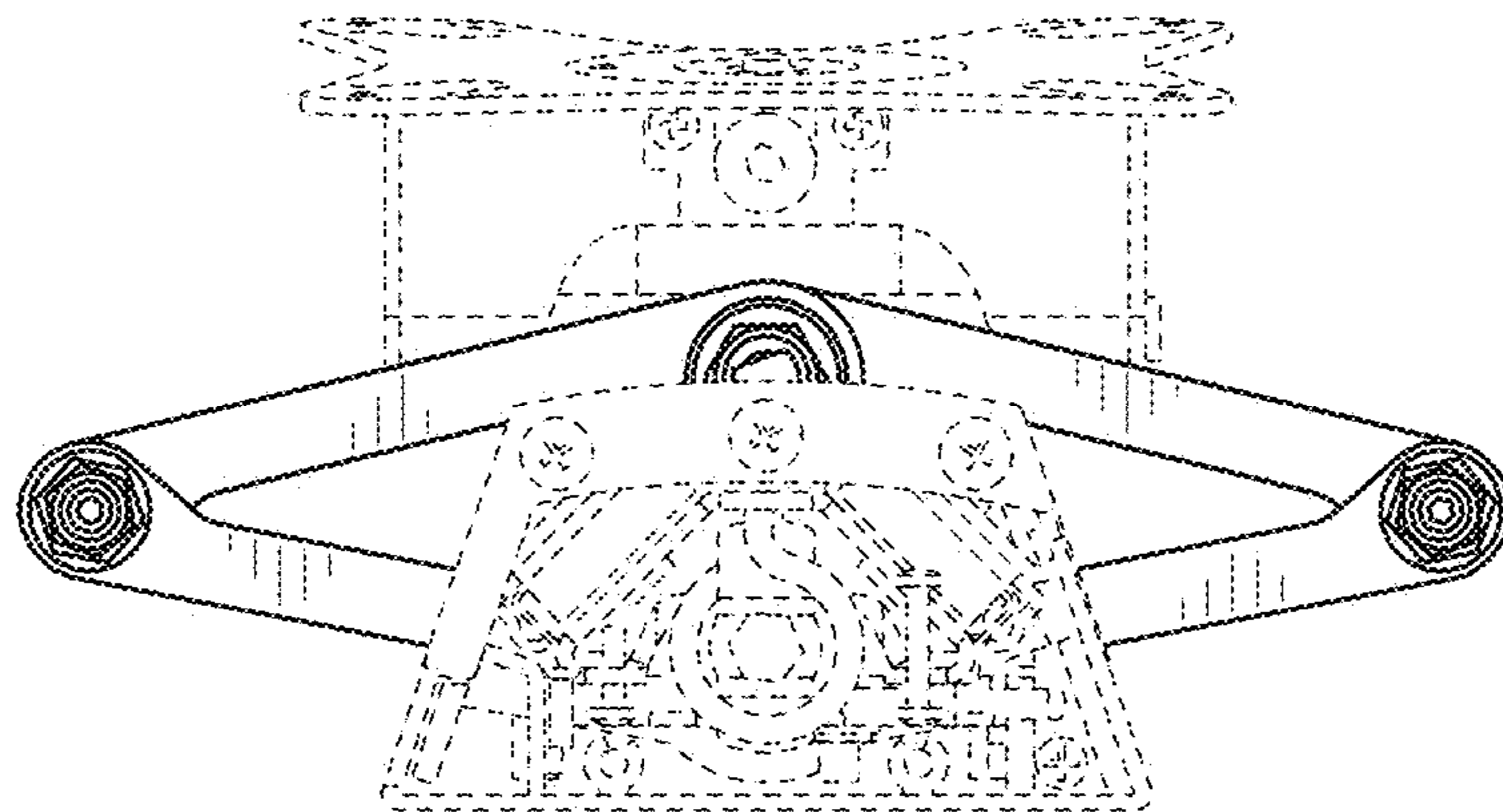


FIG. 14