



US00D889934S

(12) **United States Design Patent**
Hines, III et al.

(10) **Patent No.:** **US D889,934 S**
(45) **Date of Patent:** **** Jul. 14, 2020**

- (54) **MAGNET MOUNT**
- (71) Applicants: **Robert Charles Hines, III**, Irvine, CA (US); **Courtney Mei Hines**, Irvine, CA (US)
- (72) Inventors: **Robert Charles Hines, III**, Irvine, CA (US); **Courtney Mei Hines**, Irvine, CA (US)
- (**) Term: **15 Years**
- (21) Appl. No.: **29/587,162**
- (22) Filed: **Dec. 9, 2016**
- (51) **LOC (12) Cl.** **08-08**
- (52) **U.S. Cl.**
USPC **D8/349**
- (58) **Field of Classification Search**
USPC D6/672, 684, 680, 683.1, 703.5; D8/349, D8/354, 355, 330, 380, 382; D13/154, D13/133, 129, 199; D25/119, 164, 199, D25/139, 141; D26/138, 76, 78, 79, 80
CPC .. F16C 2314/72; F16C 29/0623; F16C 29/06; F16C 29/0609; F16C 29/005; F16C 29/008; F16C 29/04; F16C 29/0657; F16C 29/004; F16C 29/12; A47B 1/10; A47B 88/493; A47B 88/423; A47B 2088/4235
See application file for complete search history.

- 6,757,945 B2 * 7/2004 Shibuya A47G 27/0418 16/8
- D523,328 S * 6/2006 Ramos D8/382
- D607,851 S * 1/2010 Miyasaka D13/173
- D633,872 S * 3/2011 Shen D13/155
- D658,973 S * 5/2012 Drake D8/349
- D658,978 S * 5/2012 Linares D8/399
- 8,573,548 B2 11/2013 Kuhn et al.
- 8,579,572 B1 * 11/2013 Psimas F16B 43/009 411/535
- D695,591 S * 12/2013 Ackerman D8/349
- D700,501 S * 3/2014 Ackerman D8/349
- D714,630 S * 10/2014 Irgens D8/394
- D725,461 S * 3/2015 Kopp D8/397
- D750,467 S * 3/2016 Hill D8/349
- D775,933 S * 1/2017 Hill D8/349
- D775,934 S * 1/2017 Hill D8/349
- D779,711 S * 2/2017 Salomon D26/138
- D789,173 S * 6/2017 Min D8/330
- D805,885 S * 12/2017 Karmarkar D8/382
- D811,182 S * 2/2018 Ericksen D8/14
- D829,080 S * 9/2018 Hill D8/354
- 2015/0226249 A1 * 8/2015 Otto F16B 31/028 29/525.02

* cited by examiner

Primary Examiner — Mark A Goodwin
Assistant Examiner — Benjamin M Weeks
(74) *Attorney, Agent, or Firm* — Alford Law Group, Inc.; William E. Alford; Andrew Kimmel

(57) **CLAIM**

The ornamental design for a magnet mount, as shown and described.

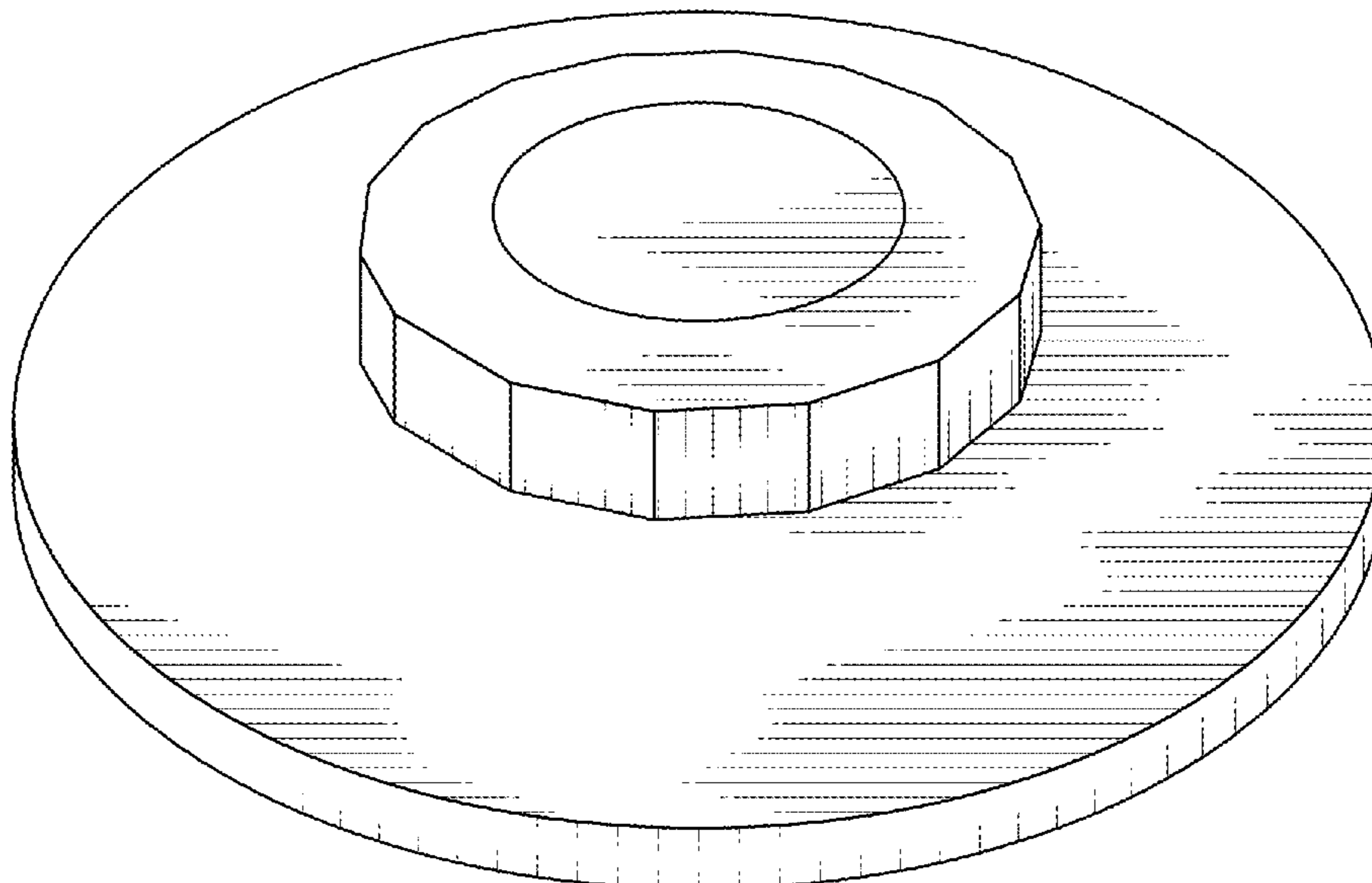
DESCRIPTION

FIG. 1 is a front perspective view of a magnet mount embodying our new design.
FIG. 2 is a side view thereof, the front, back, left and right side views being identical thereto.
FIG. 3 is a top view thereof; and,
FIG. 4 is a bottom view thereof.

1 Claim, 2 Drawing Sheets

(56) **References Cited**
U.S. PATENT DOCUMENTS

- 3,548,704 A 12/1970 Kutryk
- D269,454 S * 6/1983 Houseman D23/261
- 5,017,068 A 5/1991 Cooksey
- 5,624,218 A 4/1997 Dauwalter
- D380,959 S * 7/1997 Mitchell D15/143
- 5,895,018 A 4/1999 Rielo
- 6,305,627 B1 10/2001 Stiner et al.



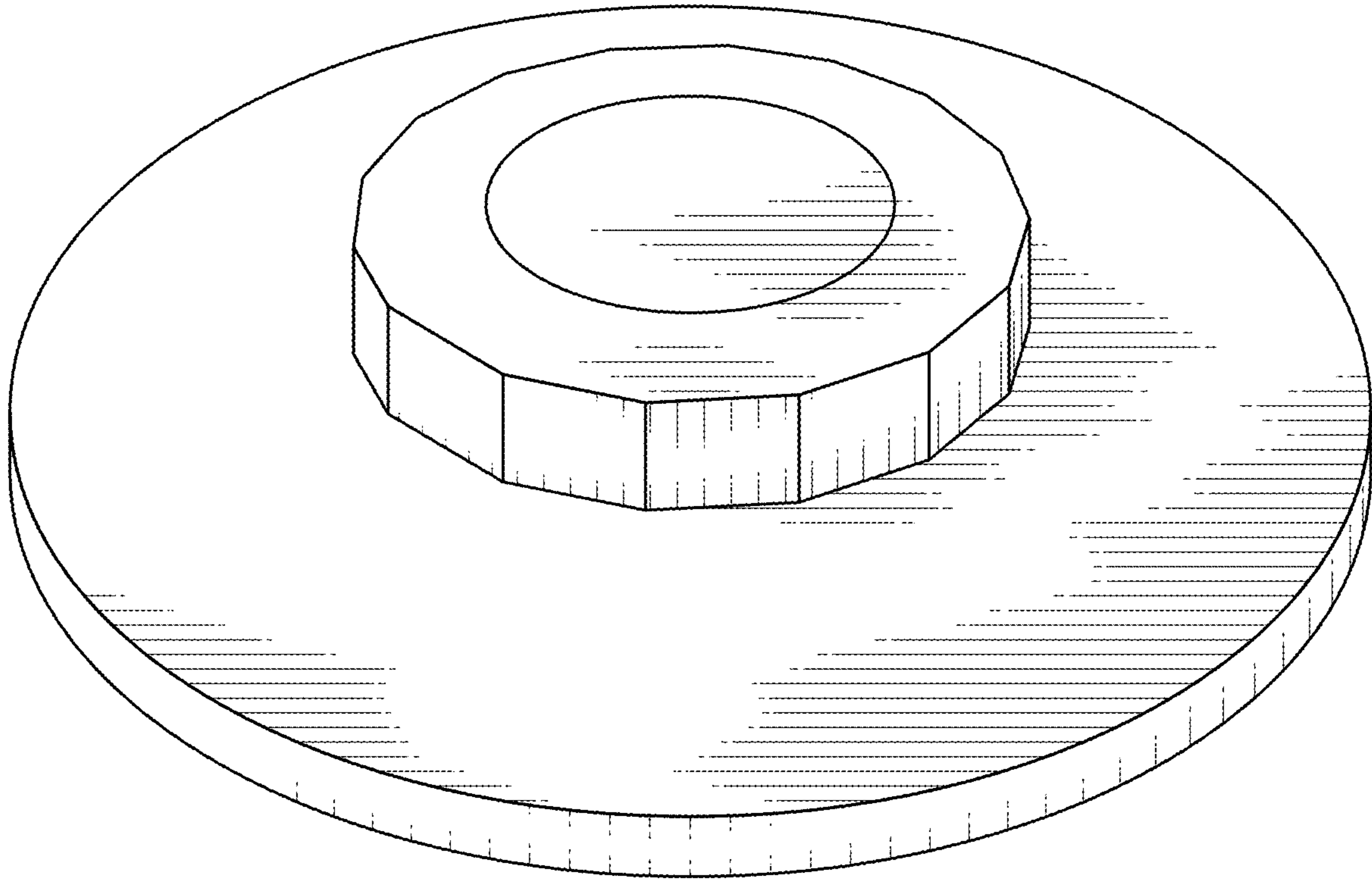


FIG. 1

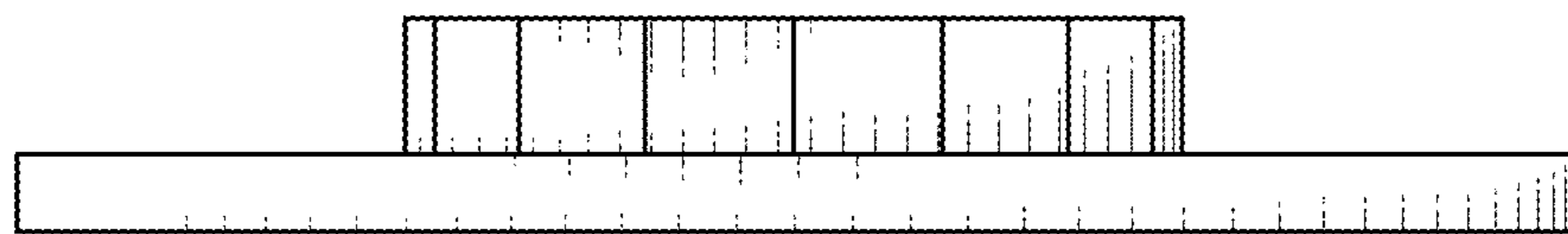


FIG. 2

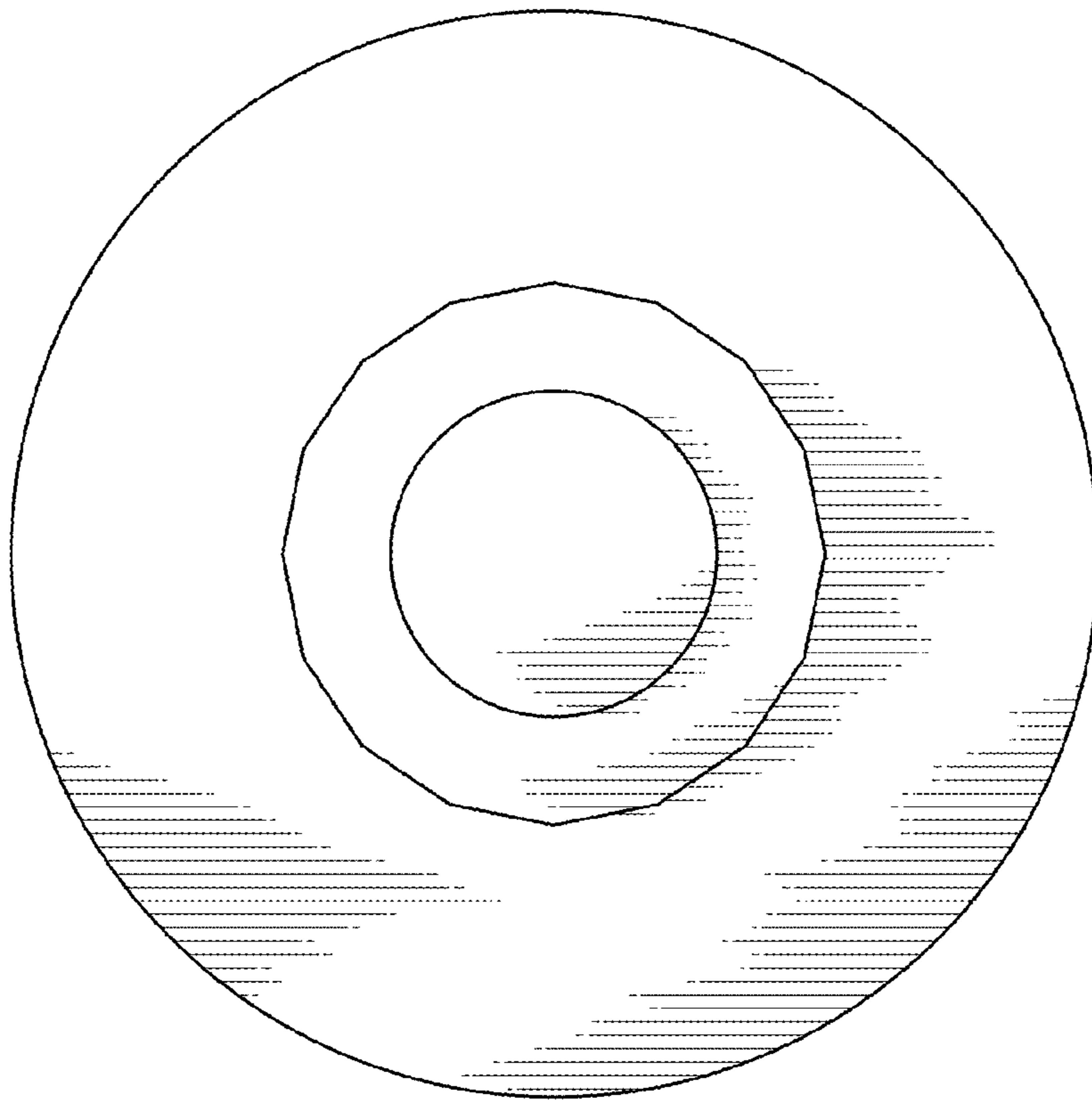


FIG. 3

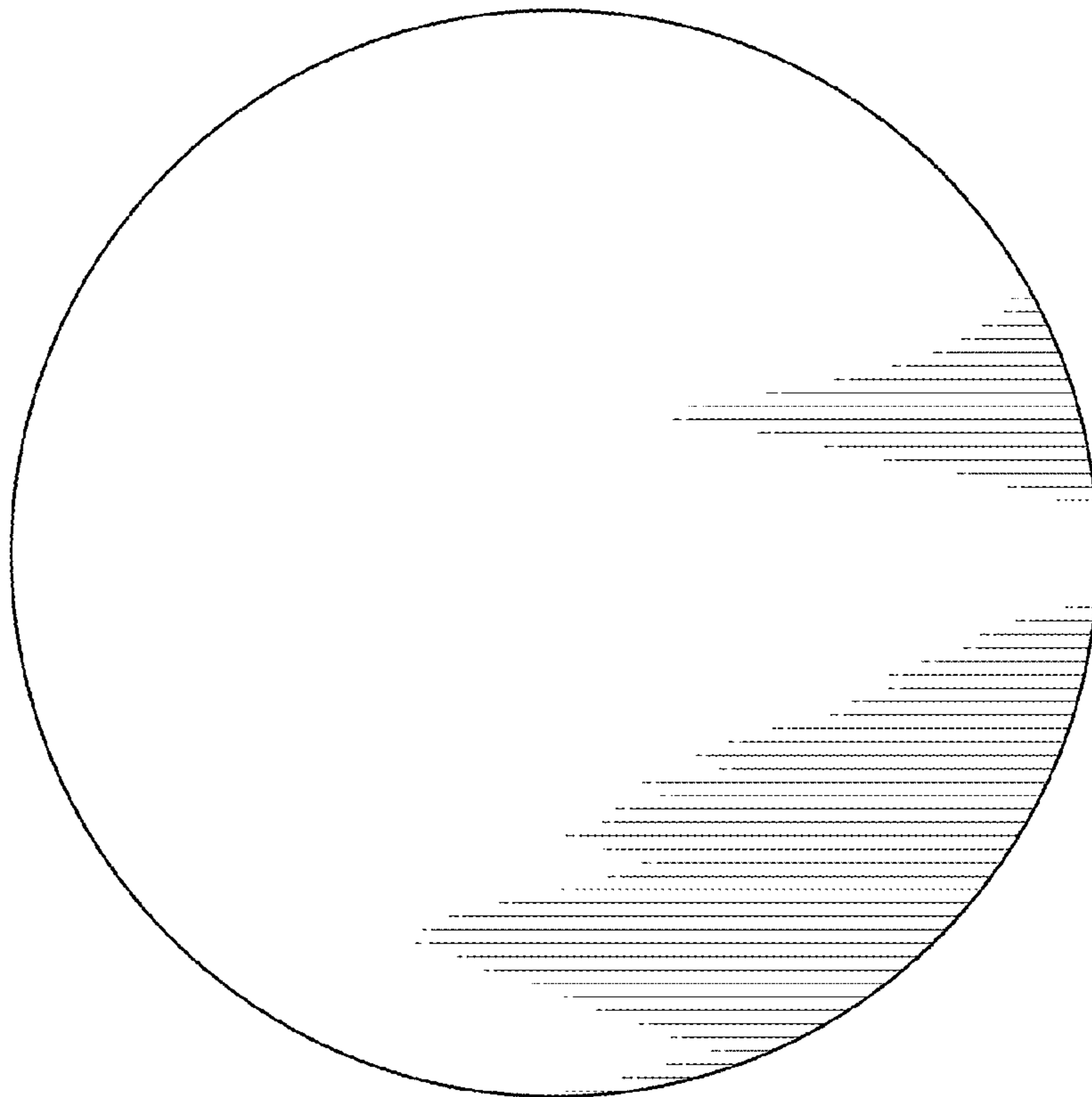


FIG. 4