



US00D889932S

(12) **United States Design Patent**  
**Zeng**

(10) **Patent No.:** **US D889,932 S**  
(45) **Date of Patent:** **\*\* Jul. 14, 2020**

- (54) **HOOD LOCK**
- (71) Applicant: **Sichuan Topfire Technology Co., Ltd,**  
Chengdu (CN)
- (72) Inventor: **Cheng Zeng,** Chengdu (CN)
- (73) Assignee: **Sichuan Topfire Technology Co., Ltd,**  
Chengdu (CN)
- (\*\*) Term: **15 Years**
- (21) Appl. No.: **29/672,821**
- (22) Filed: **Dec. 10, 2018**
- (51) **LOC (12) Cl.** ..... **08-07**
- (52) **U.S. Cl.**  
USPC ..... **D8/331**
- (58) **Field of Classification Search**  
USPC ..... D8/330, 331, 336, 338; D12/173, 190,  
D12/400  
CPC ..... E05B 83/243; E05C 19/10; E05C 19/12;  
E05C 19/14; Y10T 292/089; Y10T  
292/1041  
See application file for complete search history.

- D377,141 S \* 1/1997 Ford ..... D8/331
- D377,446 S \* 1/1997 Ford ..... D8/331
- 5,607,195 A \* 3/1997 Antonucci ..... E05B 63/0056  
292/247
- 5,624,142 A \* 4/1997 Watson ..... E05B 83/243  
292/241
- D424,406 S \* 5/2000 Frey ..... D8/331
- D425,395 S \* 5/2000 Ji ..... D8/331
- D429,618 S \* 8/2000 Tieu ..... D8/331
- D435,780 S \* 1/2001 Tieu ..... D8/331
- 6,257,631 B1 \* 7/2001 Sokurenko ..... E05C 19/14  
292/247
- 6,345,846 B1 \* 2/2002 Derees ..... E05B 83/243  
292/241
- 6,457,750 B1 \* 10/2002 Sokurenko ..... E05C 19/14  
292/113
- 7,017,955 B1 \* 3/2006 Chiang ..... E05C 19/14  
292/113
- D533,434 S \* 12/2006 Riblett ..... D8/331
- D550,060 S \* 9/2007 Wilfer ..... D8/330

(Continued)

*Primary Examiner* — Steven J Czyz  
(74) *Attorney, Agent, or Firm* — JiangIP LLC; Yanling  
Jiang

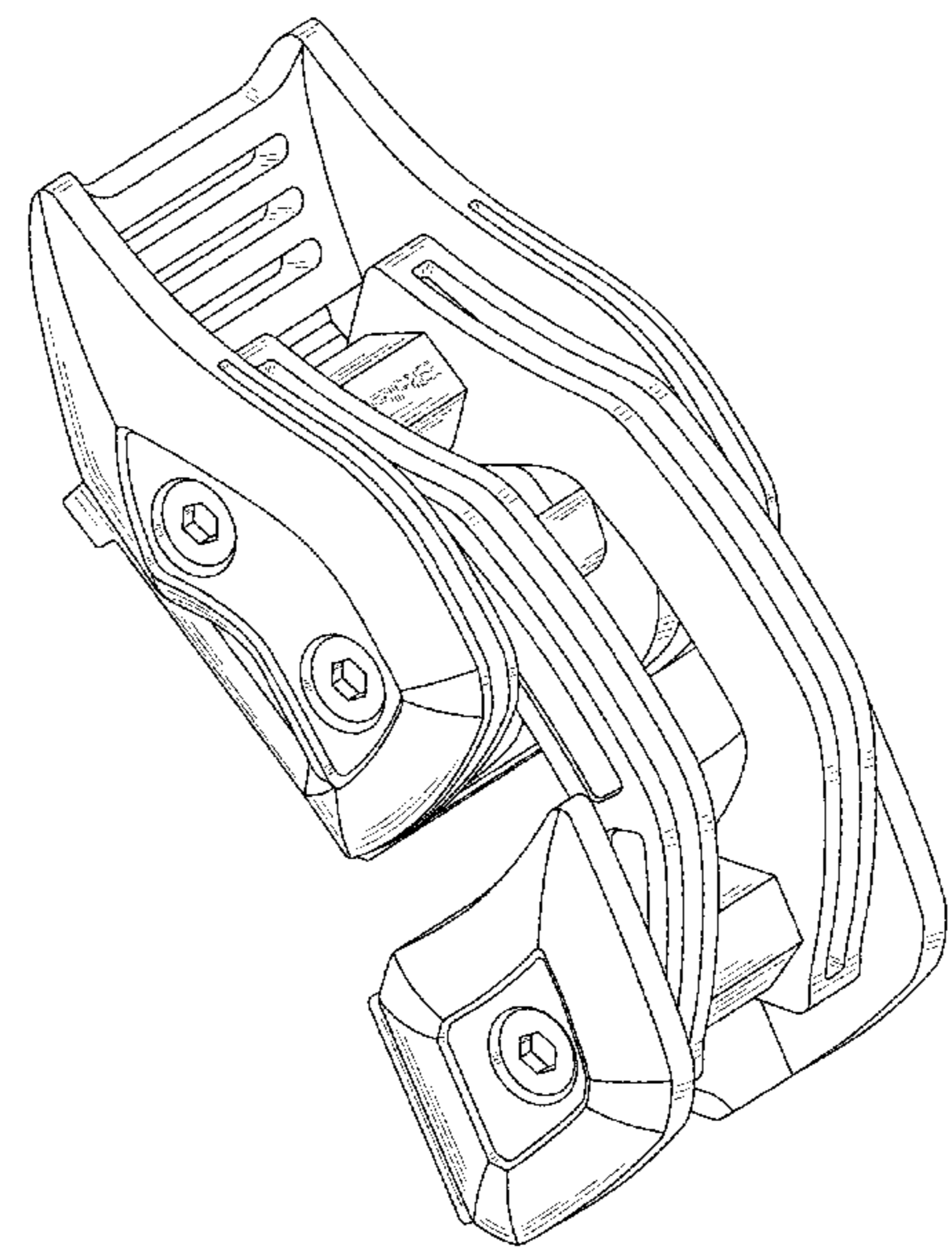
(57) **CLAIM**  
The ornamental design for a hood lock, as shown and  
described.

- (56) **References Cited**  
U.S. PATENT DOCUMENTS
- 3,985,380 A \* 10/1976 Raivio ..... E05C 19/14  
292/69
- 4,184,705 A \* 1/1980 Little ..... E05C 19/14  
292/247
- D257,218 S \* 10/1980 Eriksson ..... D8/330
- 4,540,206 A \* 9/1985 Frame ..... E05C 19/14  
292/66
- 4,801,165 A \* 1/1989 Pyle ..... E05C 19/14  
292/249
- D367,218 S \* 2/1996 Ford ..... D8/331
- D371,953 S \* 7/1996 Ford ..... D8/331
- D371,954 S \* 7/1996 Ford ..... D8/331
- D374,806 S \* 10/1996 Ford ..... D8/331

**DESCRIPTION**

FIG. 1 is a top right perspective view of a hood lock,  
showing my new design  
FIG. 2 is a front elevation view thereof;  
FIG. 3 is a right side elevation view thereof;  
FIG. 4 is a left side elevation view thereof;  
FIG. 5 is a rear elevation view thereof;  
FIG. 6 is a top plan view thereof; and,  
FIG. 7 is a bottom plan view thereof.  
The broken lines depict portions of the article that form no  
part of the claimed design.

**1 Claim, 7 Drawing Sheets**



(56)

**References Cited**

U.S. PATENT DOCUMENTS

D637,061 S \* 5/2011 Mitchell ..... D8/330  
D647,826 S \* 11/2011 Goettker ..... D12/162  
8,408,608 B2 \* 4/2013 Wilkens ..... E05B 83/243  
292/241  
D692,290 S \* 10/2013 Stanesic ..... D8/331  
D701,445 S \* 3/2014 Terpsma ..... D8/331  
D727,134 S \* 4/2015 Yamamoto ..... D8/331  
D732,370 S \* 6/2015 Pittman ..... D8/330  
D740,100 S \* 10/2015 Alfredsson ..... D8/330  
D778,707 S \* 2/2017 Tonelli ..... D8/330  
D779,306 S \* 2/2017 Finkelstein ..... D8/331  
9,765,555 B2 \* 9/2017 Evans ..... E05C 19/14  
D826,027 S \* 8/2018 Carey ..... D8/331  
D835,552 S \* 12/2018 Goodrich ..... D12/190  
2006/0207817 A1 \* 9/2006 Tucker ..... B60J 7/185  
180/69.21

\* cited by examiner

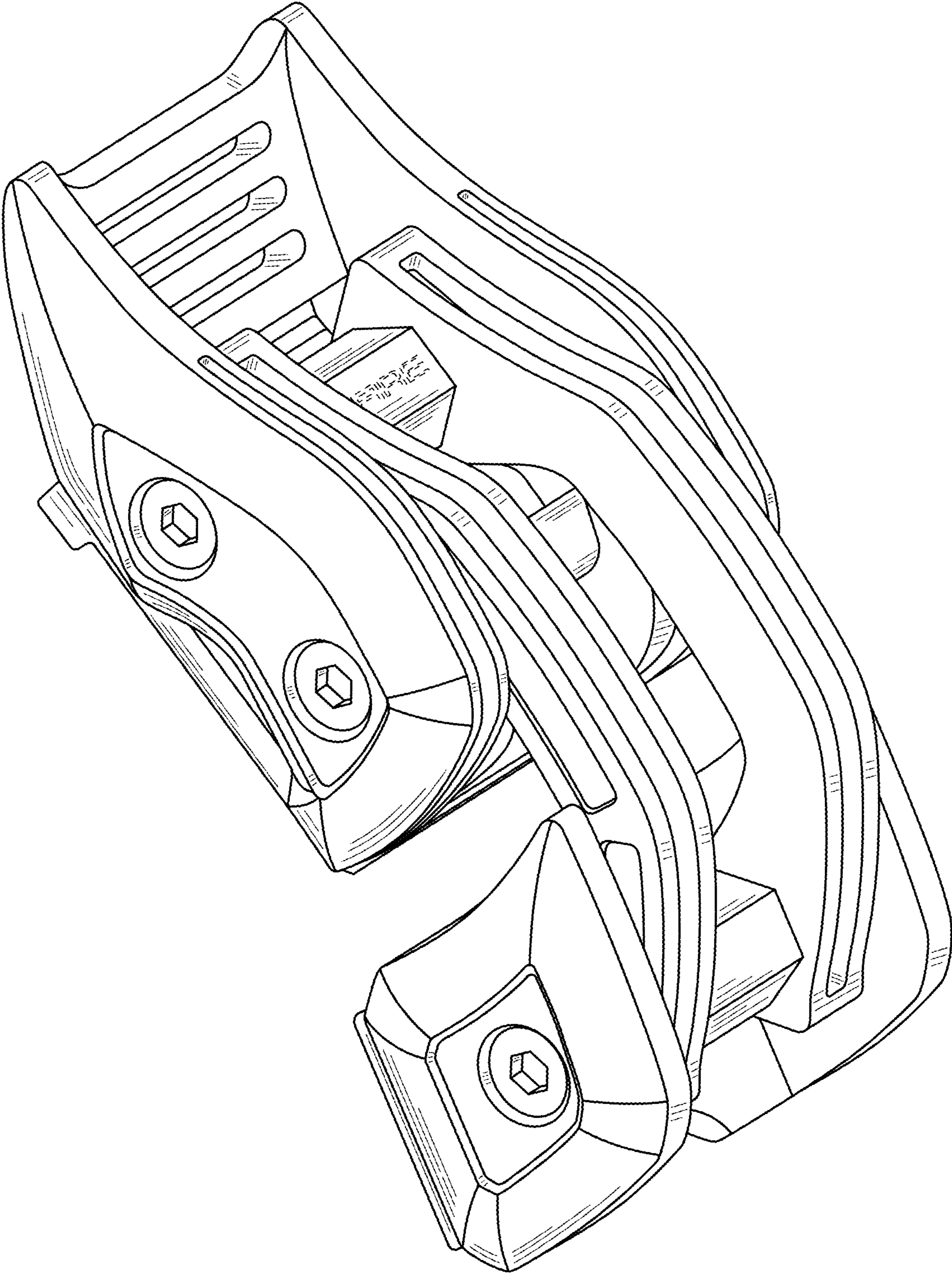


FIG. 1

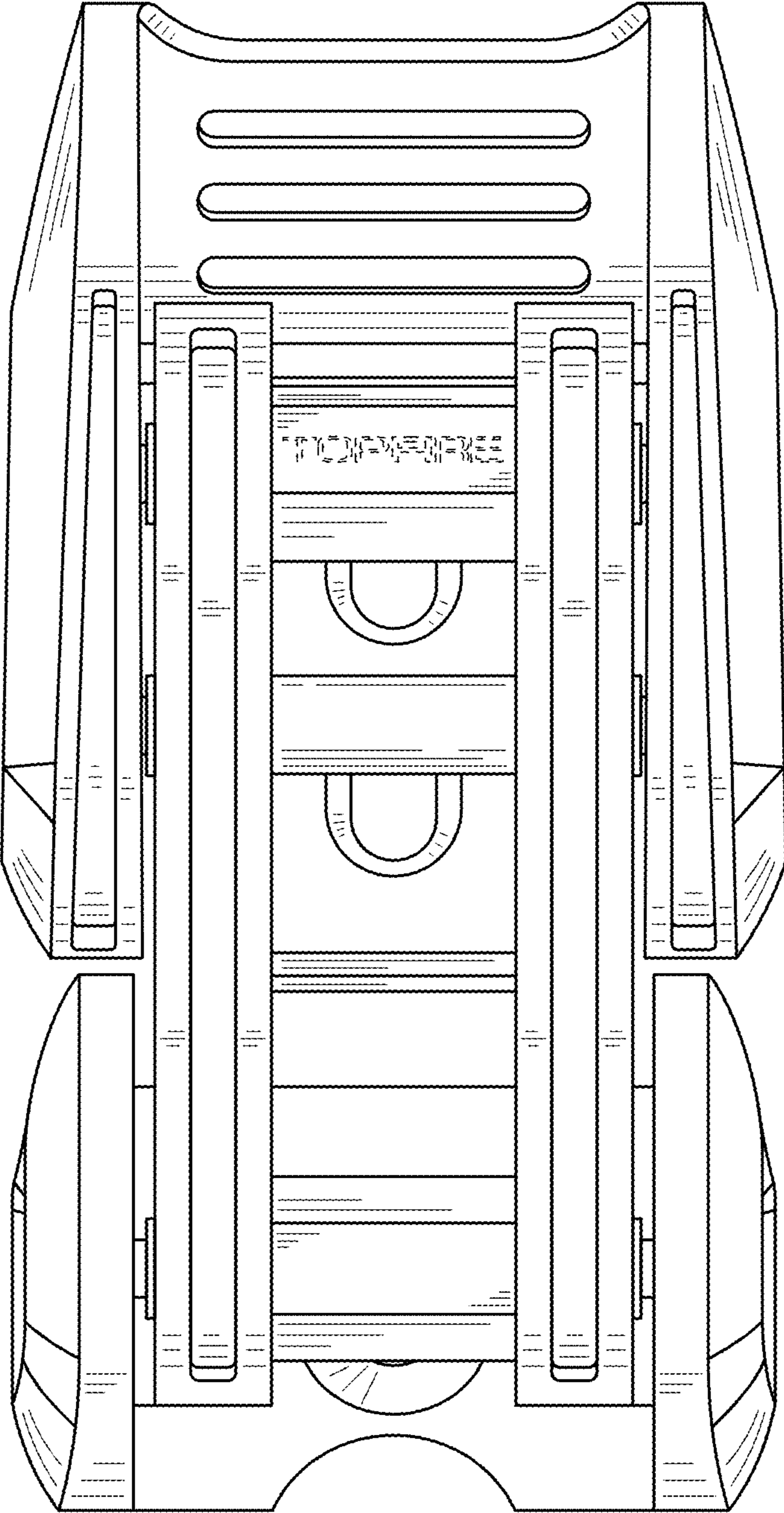


FIG. 2

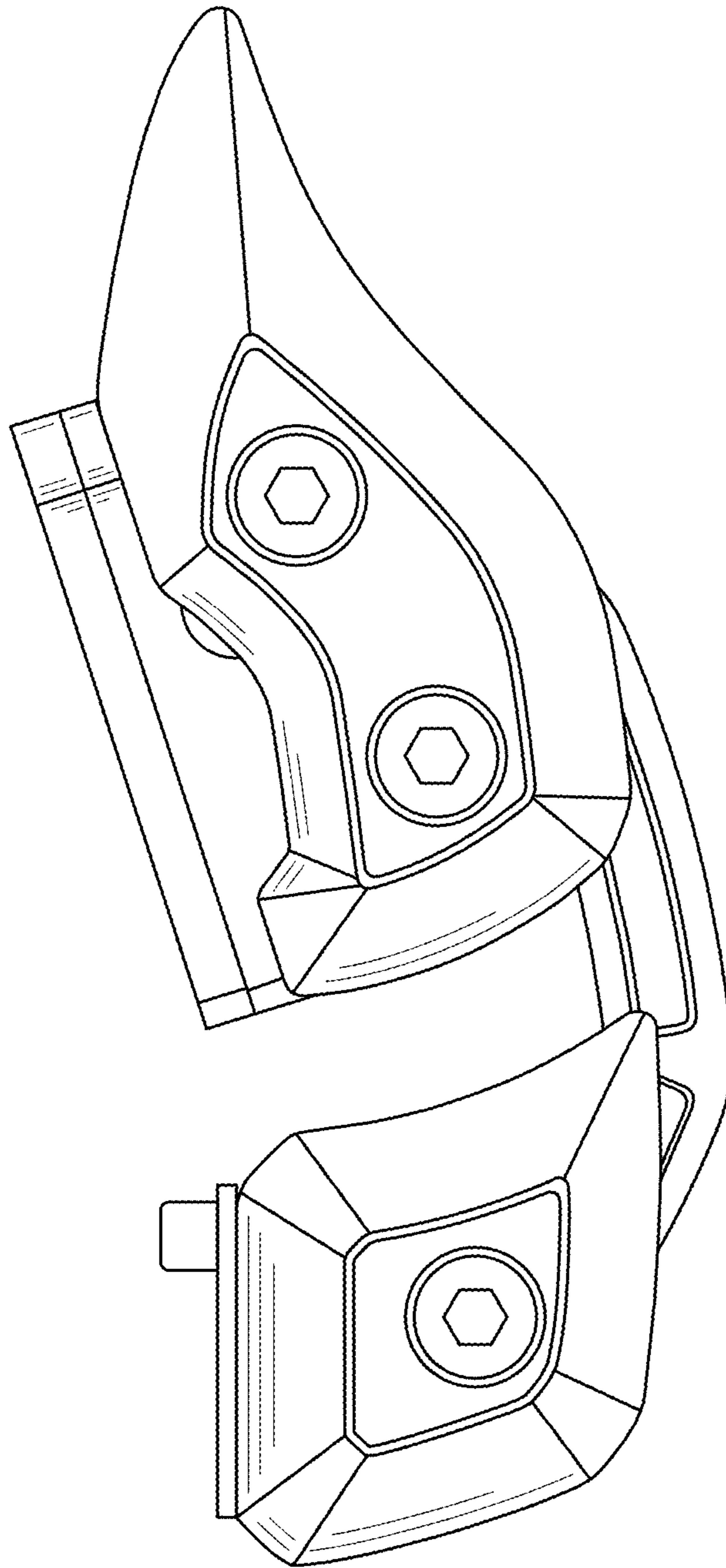


FIG. 3

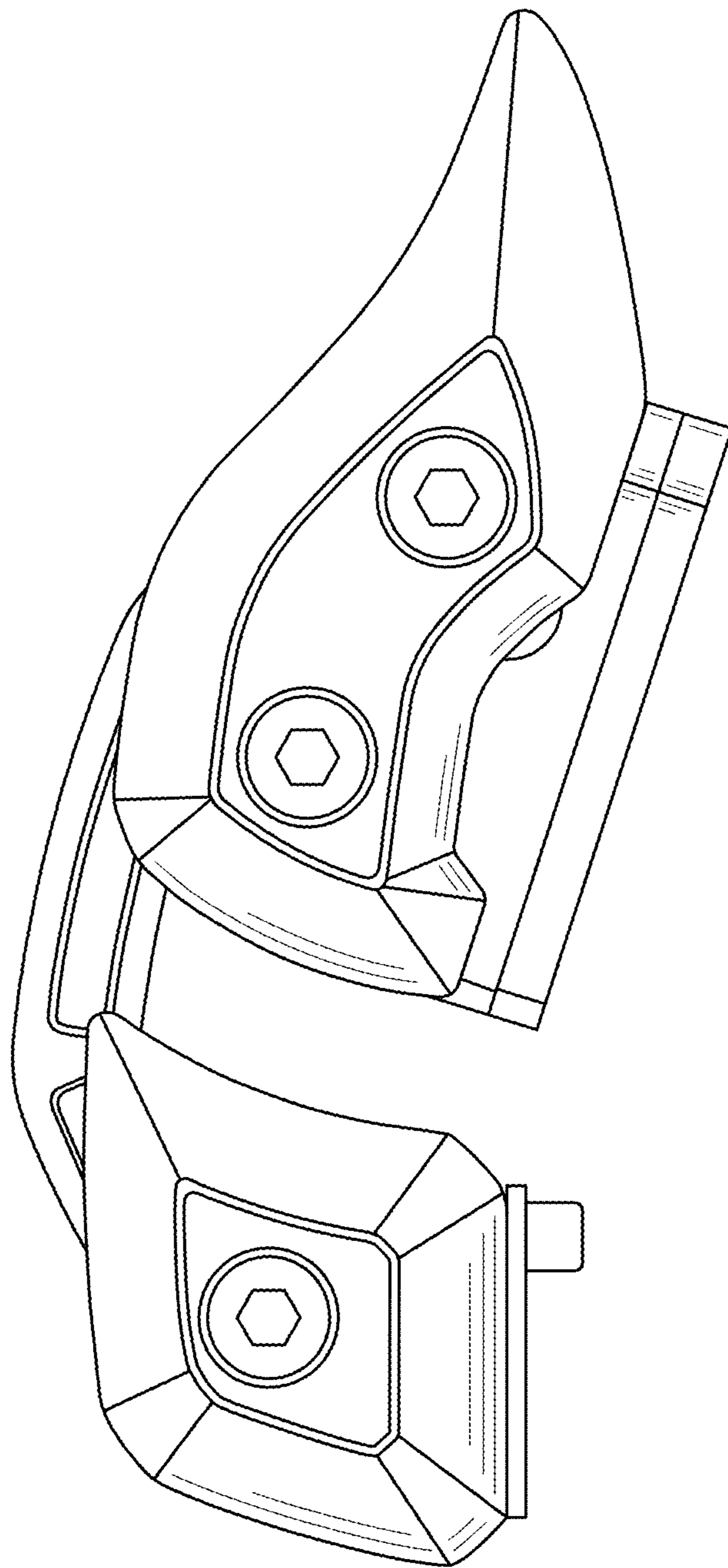


FIG. 4

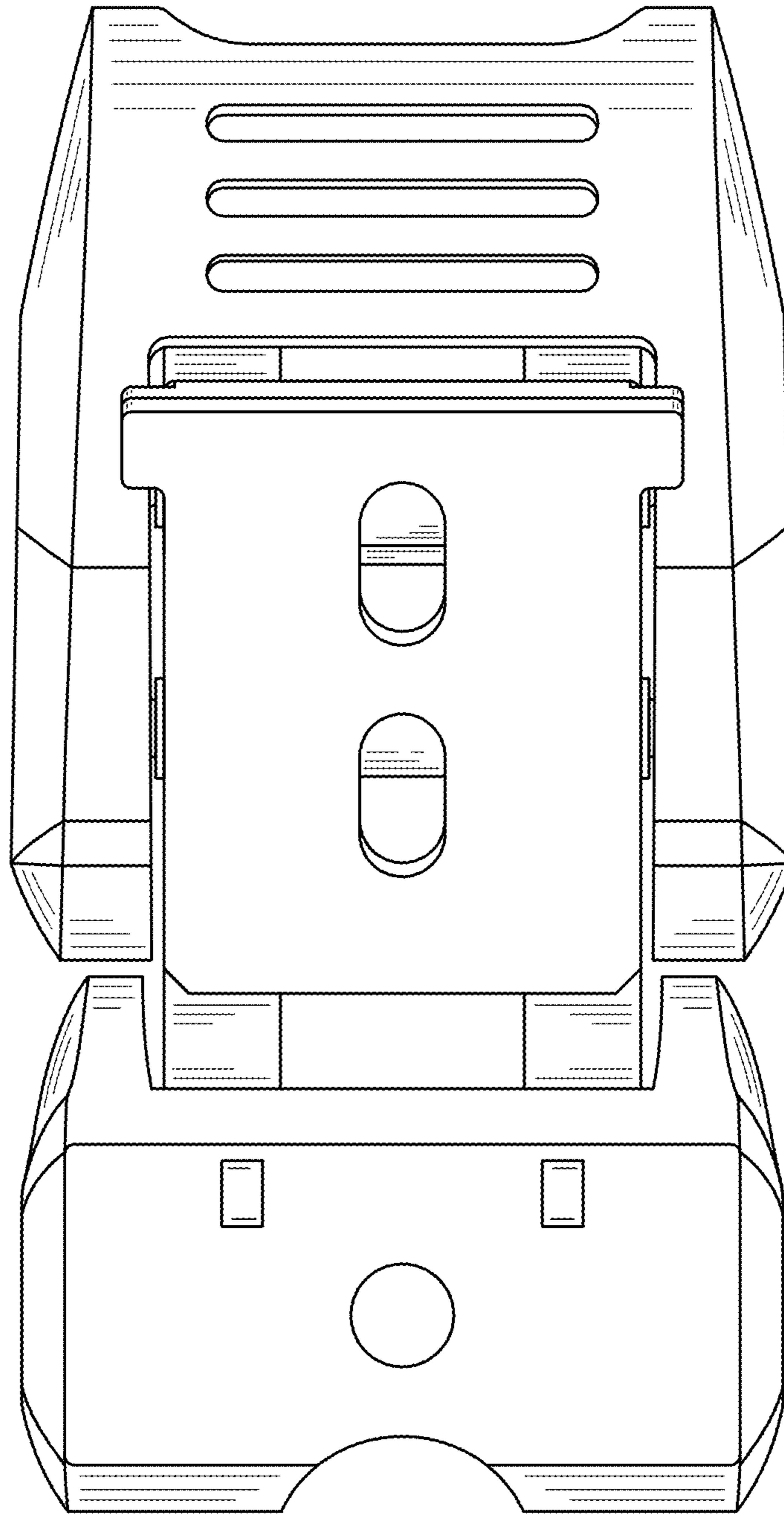


FIG. 5

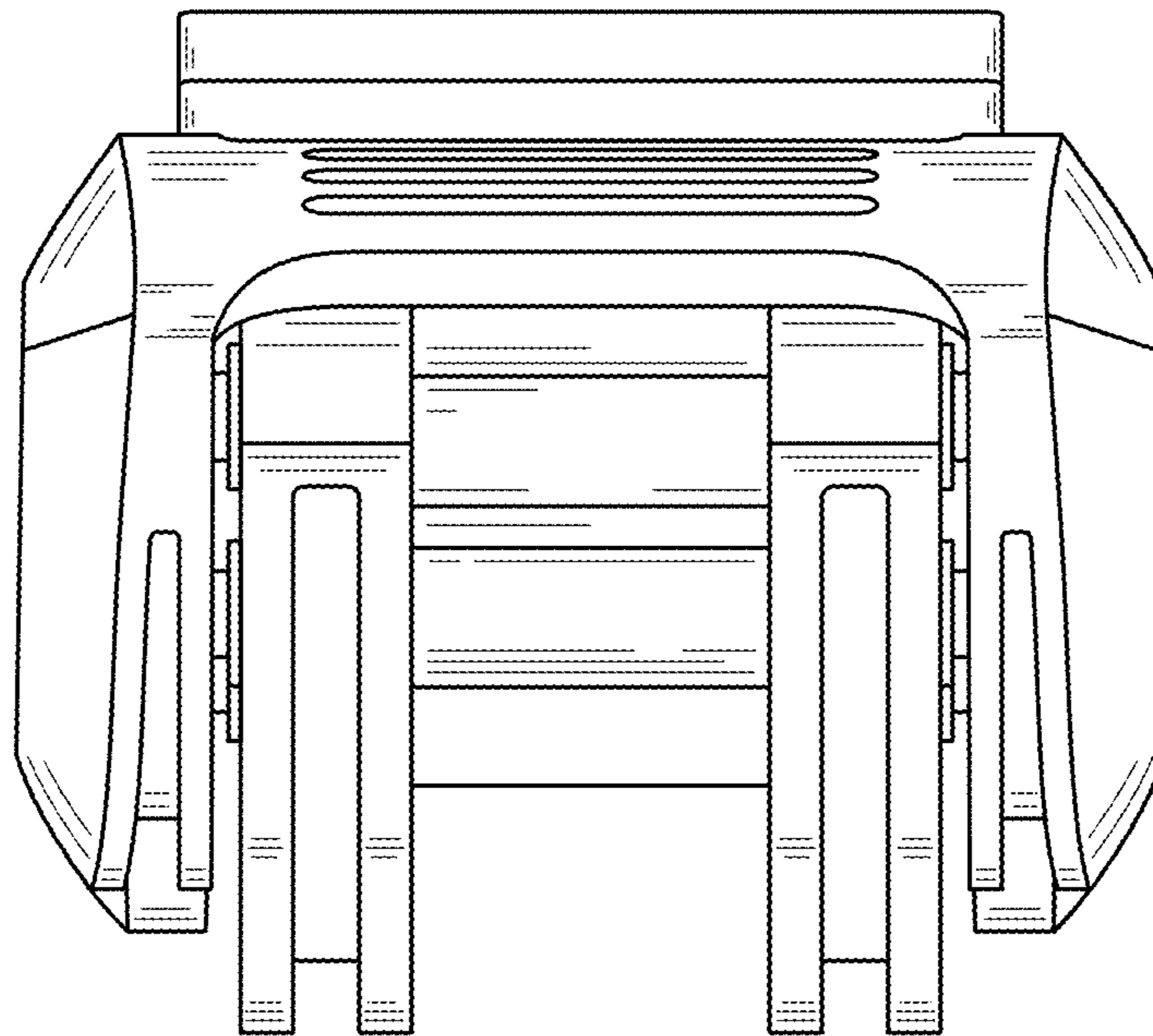


FIG. 6



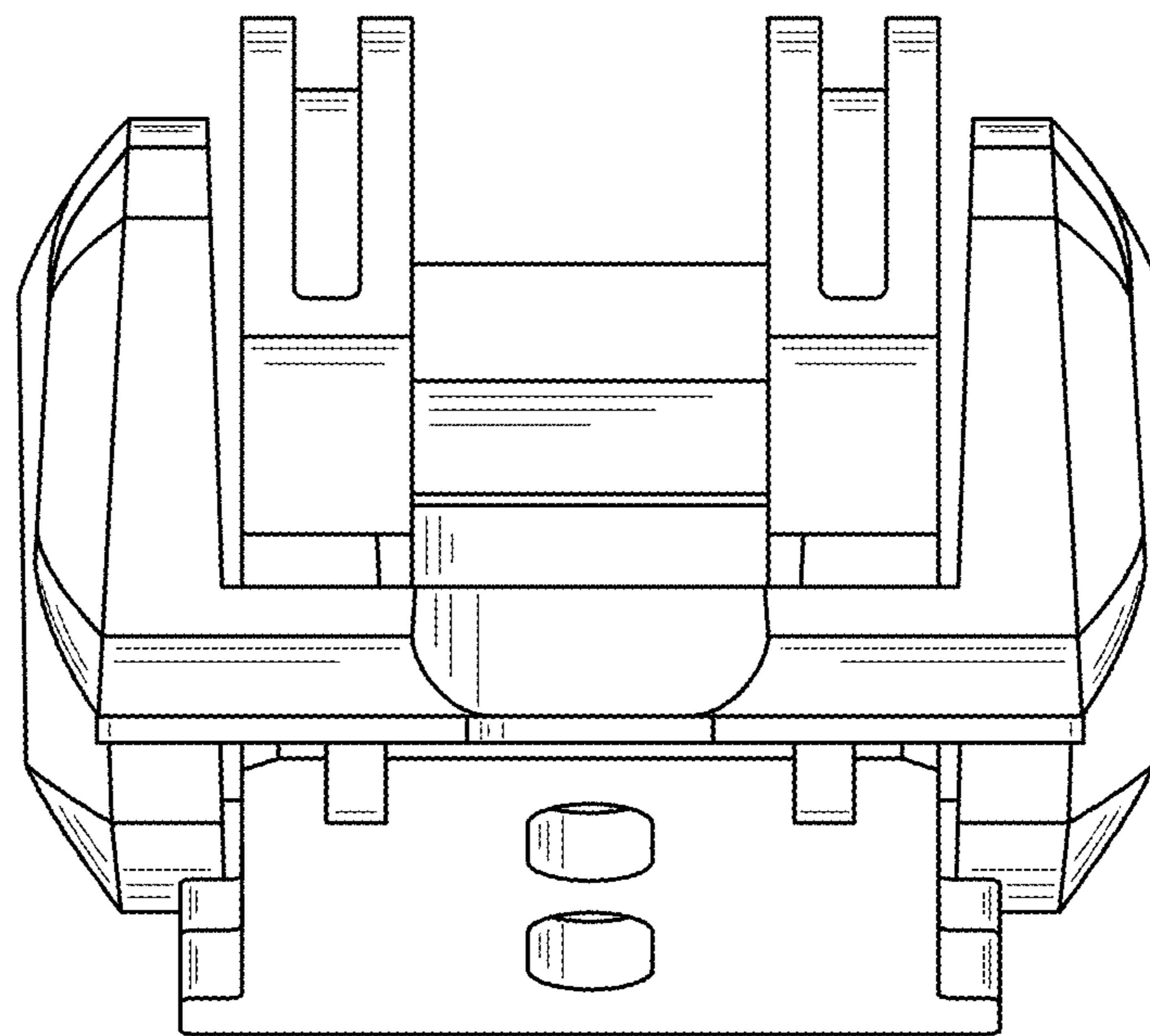


FIG. 7