



US00D889931S

(12) **United States Design Patent** (10) **Patent No.:** **US D889,931 S**  
**Monroe** (45) **Date of Patent:** **\*\* Jul. 14, 2020**

(54) **DOOR LOCK LATCH RETAINER**  
(71) Applicant: **Clinton Adair Monroe**, Wylie, TX (US)  
(72) Inventor: **Clinton Adair Monroe**, Wylie, TX (US)  
(\*\*) Term: **15 Years**  
(21) Appl. No.: **29/669,937**  
(22) Filed: **Nov. 13, 2018**  
(51) **LOC (12) Cl.** ..... **08-07**  
(52) **U.S. Cl.**  
USPC ..... **D8/331**  
(58) **Field of Classification Search**  
USPC ..... D8/330, 331, 336, 338, 339, 341, 342, D8/343, 344, 349, 382  
CPC ..... E05B 15/02; E05B 15/0205; E05B 5/00; E05B 9/00; E05B 45/08; E05B 45/083; E05B 65/0007; Y10T 292/53; Y10T 292/68; Y10T 292/0803; Y10T 292/0813; Y10T 292/0848; Y10T 70/5199  
See application file for complete search history.

D421,893 S \* 3/2000 Weinerman ..... D8/343  
D479,792 S \* 9/2003 Winocoor ..... D8/331  
D479,975 S \* 9/2003 Winocoor ..... D8/331  
7,121,531 B1 \* 10/2006 Gonzalez ..... E05B 17/2084 256/73  
D678,034 S \* 3/2013 Stover, Jr. .... D8/330  
D678,035 S \* 3/2013 Stover, Jr. .... D8/330  
(Continued)

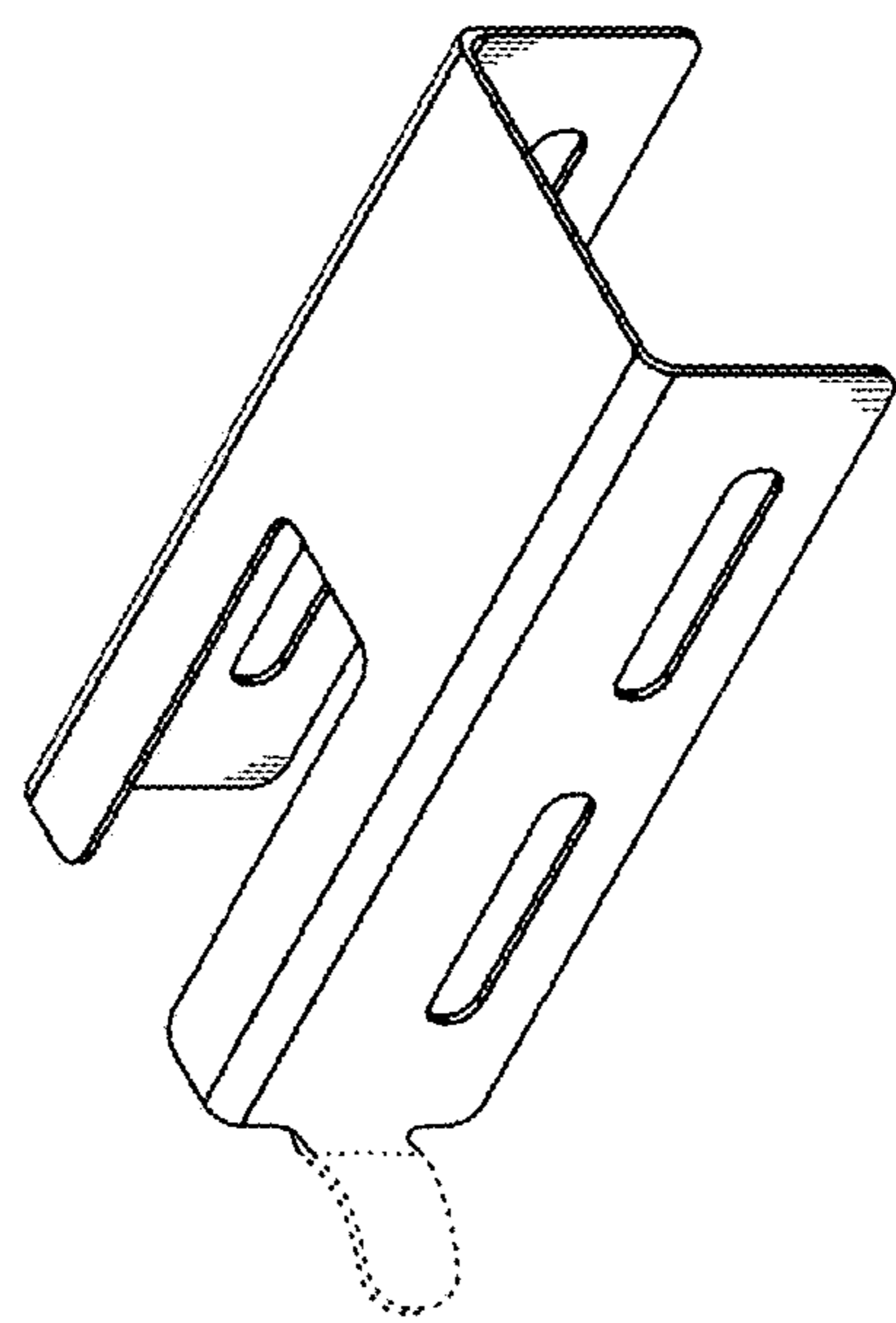
*Primary Examiner* — Steven J Czyz  
(74) *Attorney, Agent, or Firm* — Jeffrey Roddy

(57) **CLAIM**  
The ornamental design for a door lock latch retainer, as shown and described.

**DESCRIPTION**  
FIG. 1 is a right side perspective view of a door lock latch retainer;  
FIG. 2 is a left side perspective view thereof;  
FIG. 3 is a right side view thereof;  
FIG. 4 is a left side view thereof;  
FIG. 5 is a front view thereof;  
FIG. 6 is a rear view thereof;  
FIG. 7 is a bottom view thereof;  
FIG. 8 is a top view thereof;  
FIG. 9 is a left side perspective view of the door lock latch retainer, shown in use with environment;  
FIG. 10 is a second left side perspective view thereof;  
FIG. 11 is a right side view of the door lock latch retainer, shown in use with environment;  
FIG. 12 is a second right side view thereof;  
FIG. 13 is a left side view of the door lock latch retainer, shown in use with environment; and,  
FIG. 14 is a second left side view thereof.  
In the drawings, the flat evenly-spaced broken lines depict portions of the article and environment that form no part of the claim; the dotted lines in FIGS. 1-8, 11, and 13 represent boundaries of the claimed design and form no part thereof.

(56) **References Cited**  
U.S. PATENT DOCUMENTS  
1,759,707 A \* 5/1930 Paddock ..... E05B 65/0894 292/288  
2,455,772 A \* 12/1948 Jackle ..... E05B 65/0007 292/88  
3,623,268 A \* 11/1971 Zepf et al. .... E05C 19/18 49/134  
3,653,701 A \* 4/1972 Harvey ..... E05C 19/06 292/87  
4,505,504 A \* 3/1985 Matzkin ..... E05B 9/00 292/337  
5,076,626 A \* 12/1991 Tiddy ..... E05B 15/02 292/1  
D329,799 S \* 9/1992 Conklin ..... D8/331

**1 Claim, 11 Drawing Sheets**



(56)

**References Cited**

U.S. PATENT DOCUMENTS

8,870,245	B2 *	10/2014	Johnson	.....	E05B 63/0013
					292/197
8,904,713	B1 *	12/2014	Anderson	.....	E05B 17/2084
					292/340
D737,124	S *	8/2015	Sasanecki	.....	D8/366
D870,544	S *	12/2019	Lai	.....	D8/382

\* cited by examiner

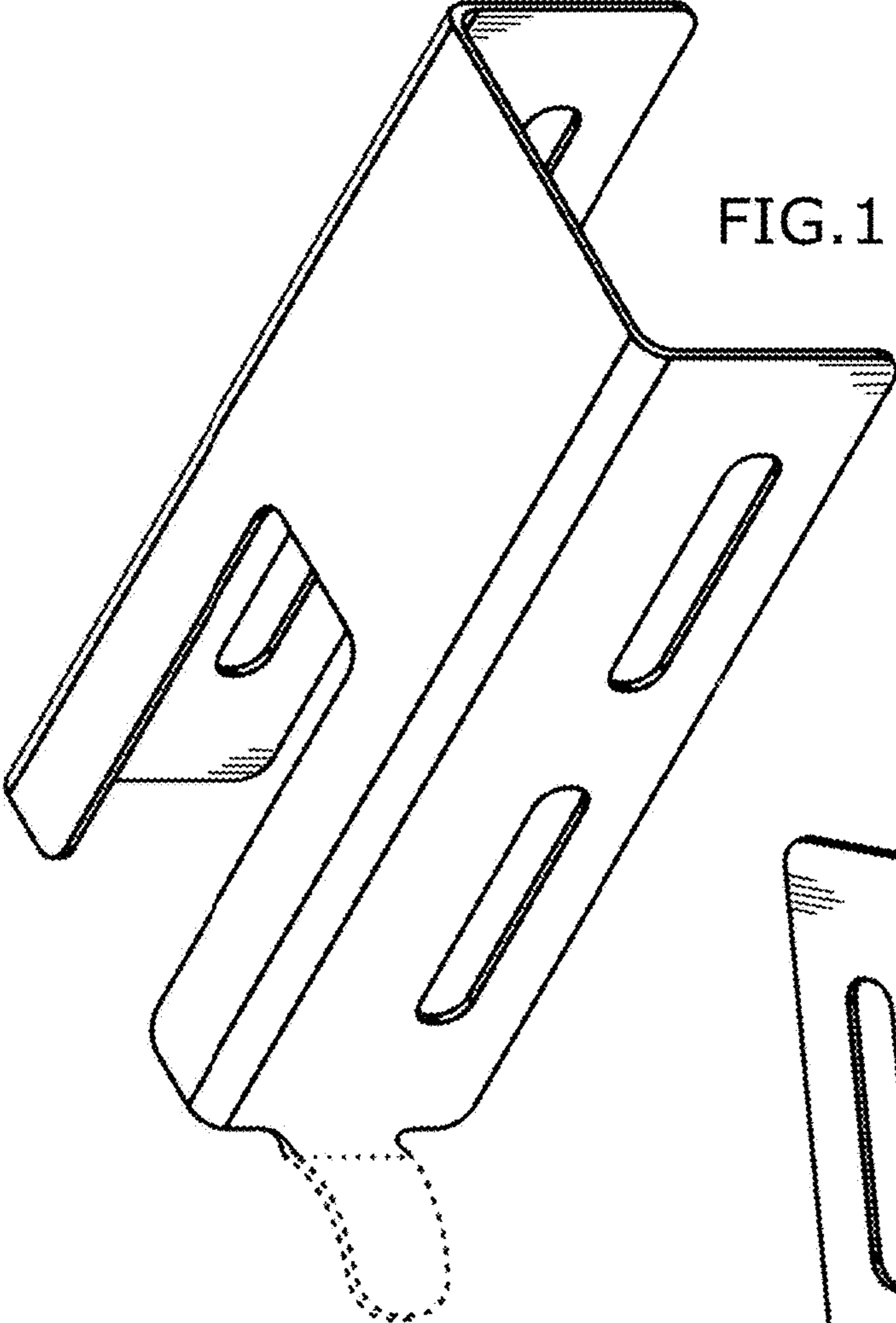


FIG. 1

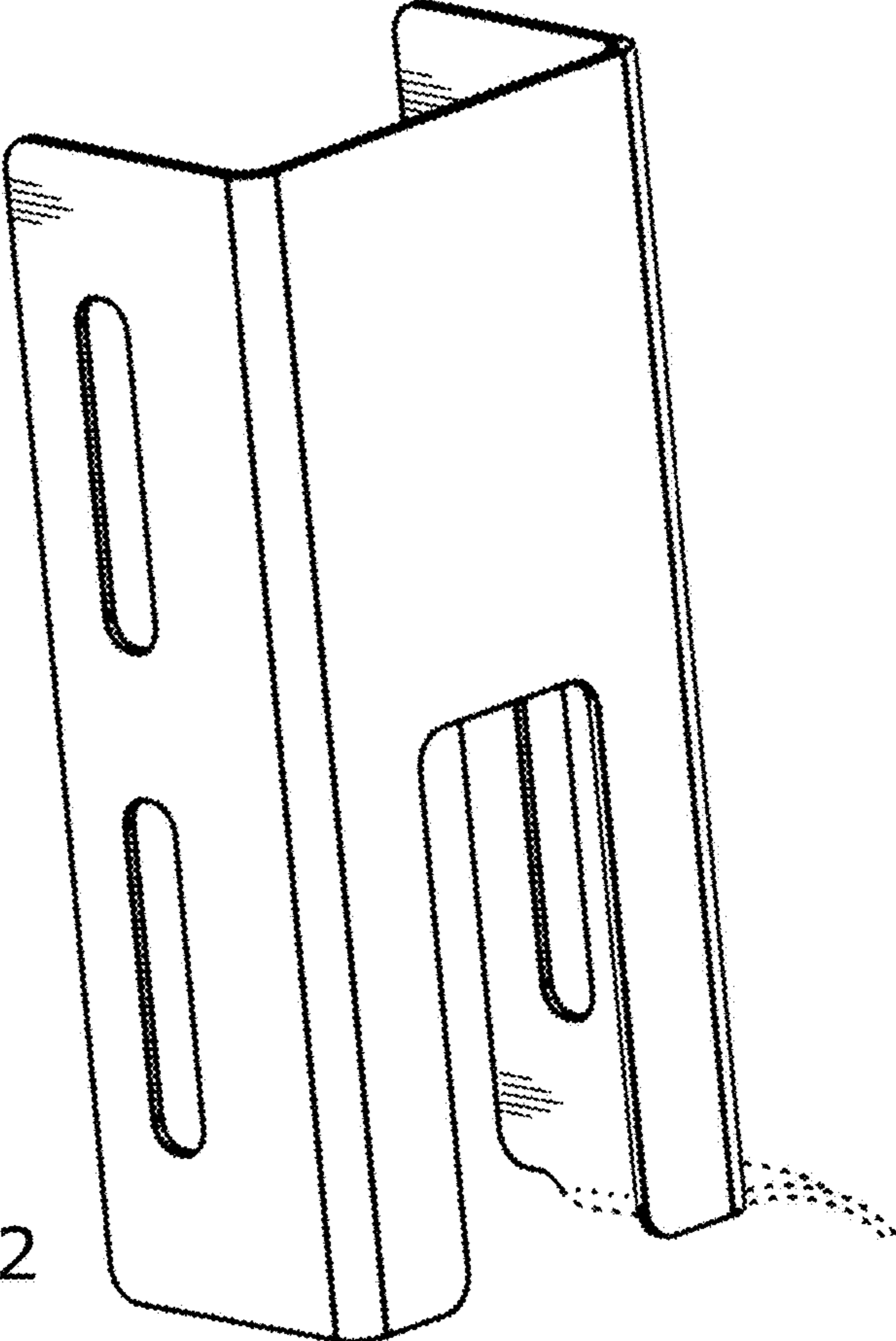


FIG. 2

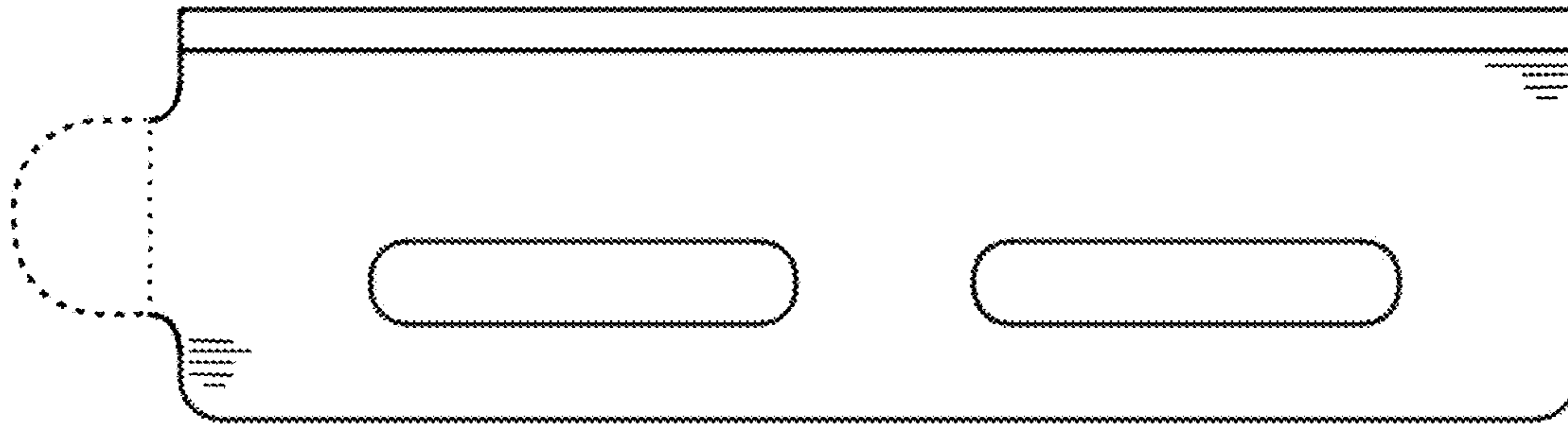
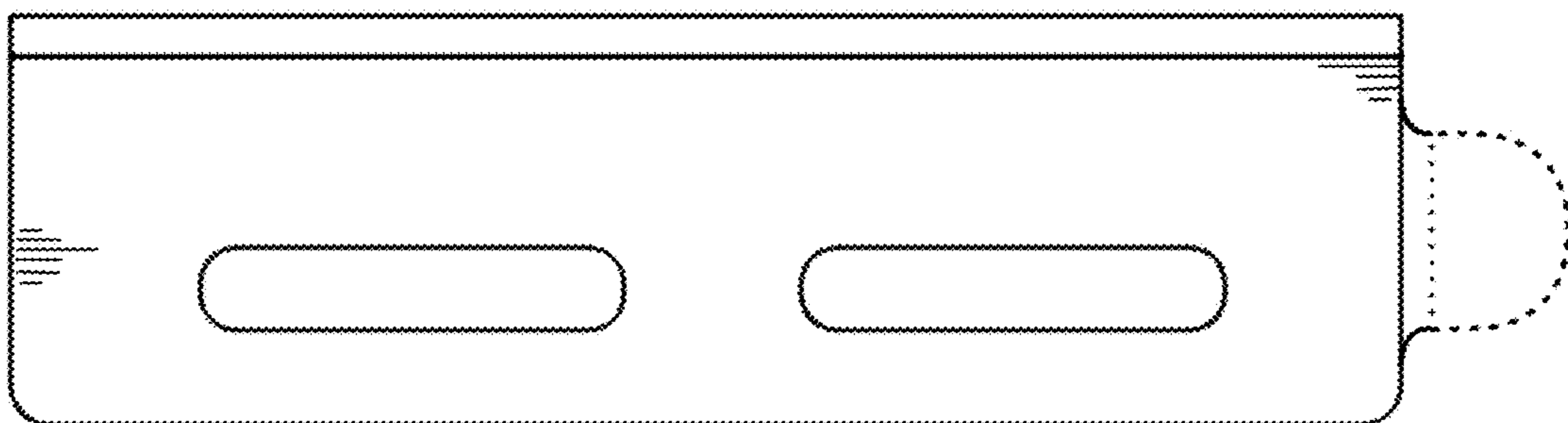


FIG. 3

FIG. 4



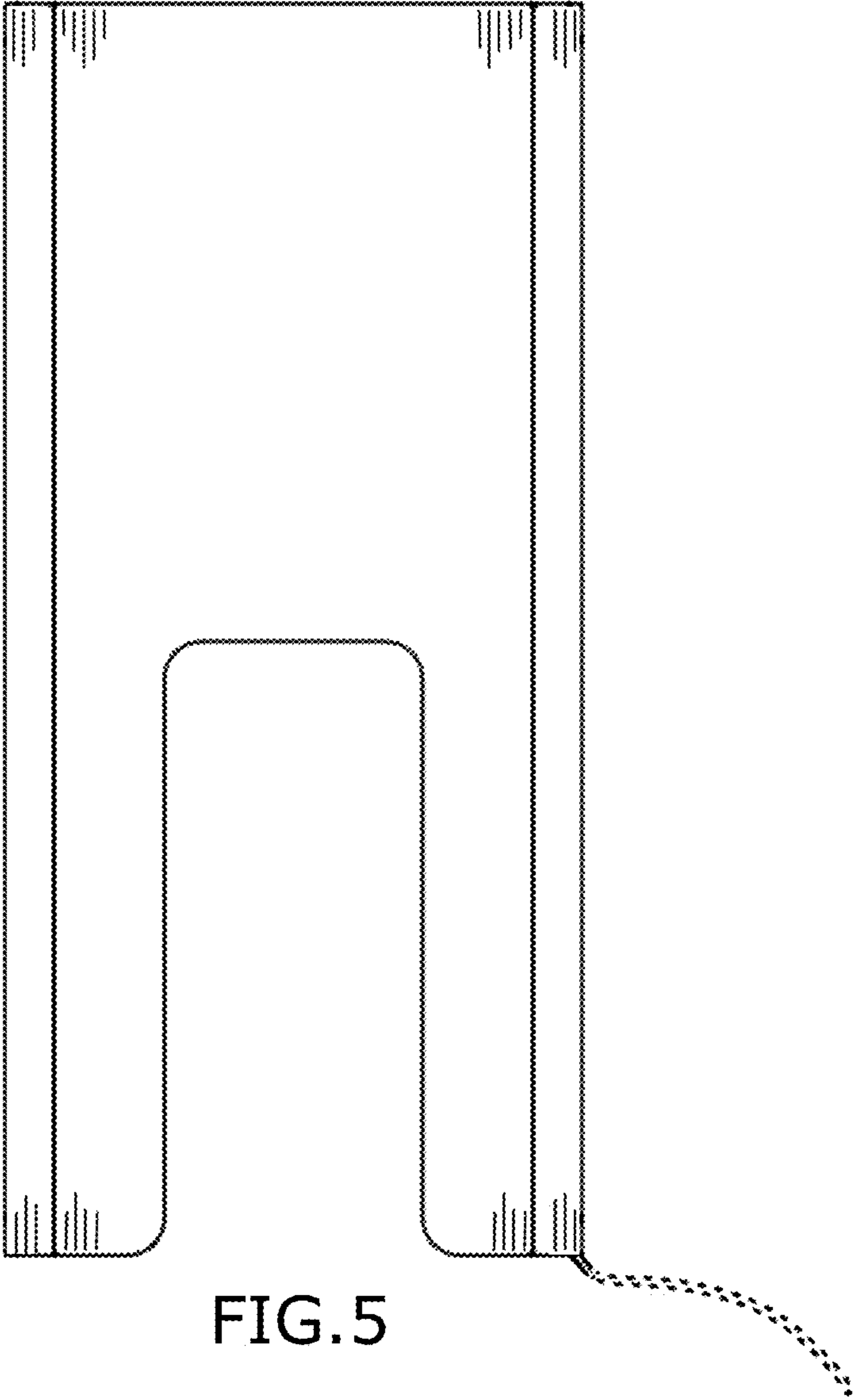
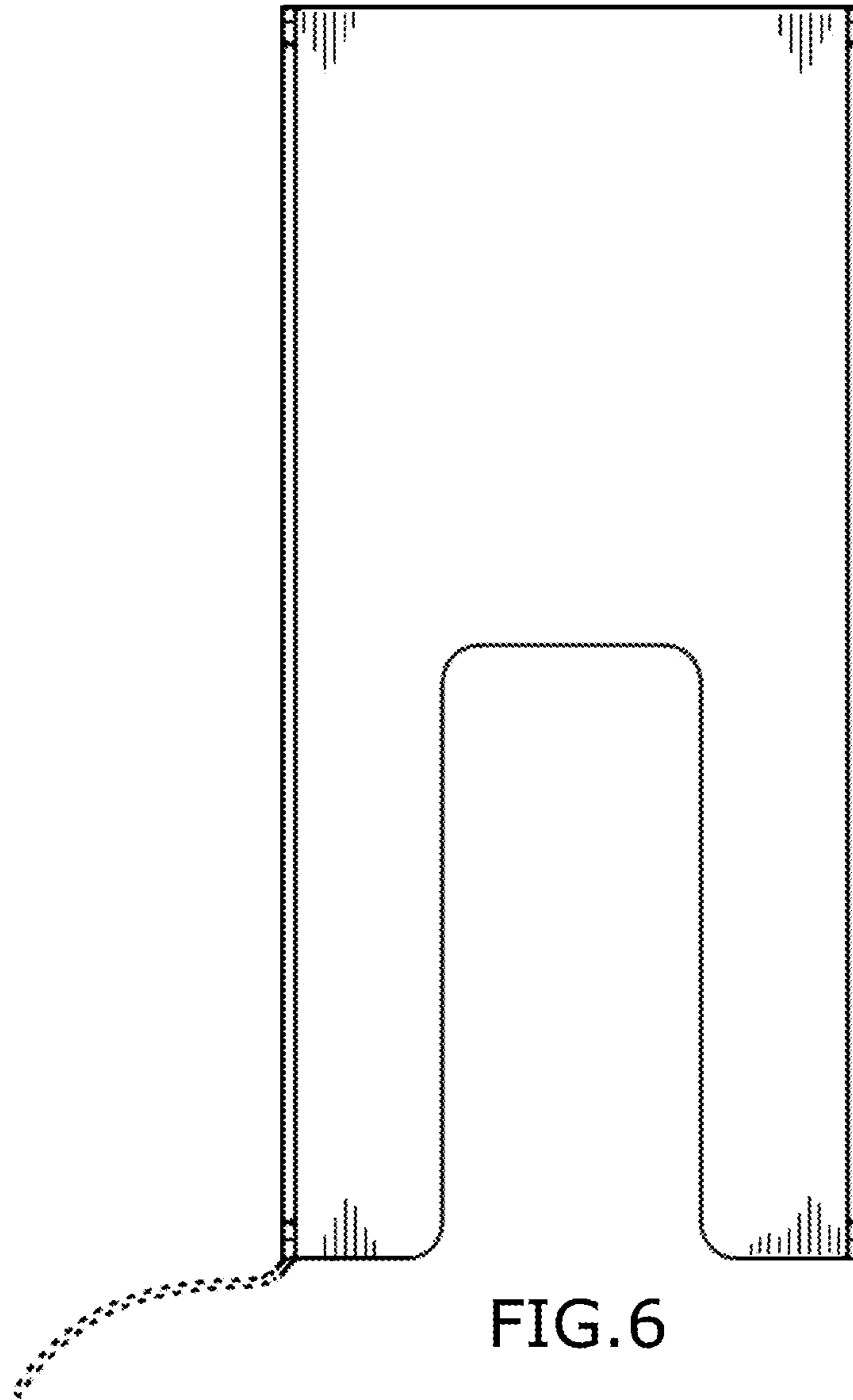


FIG. 5



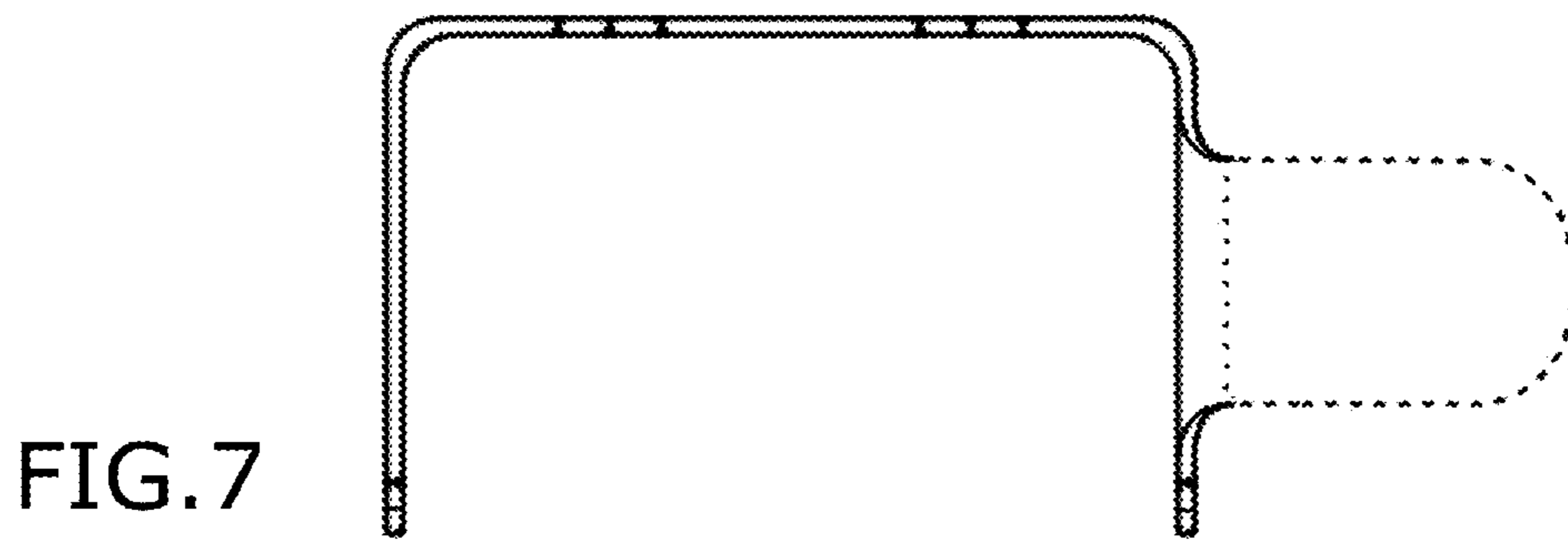


FIG. 9

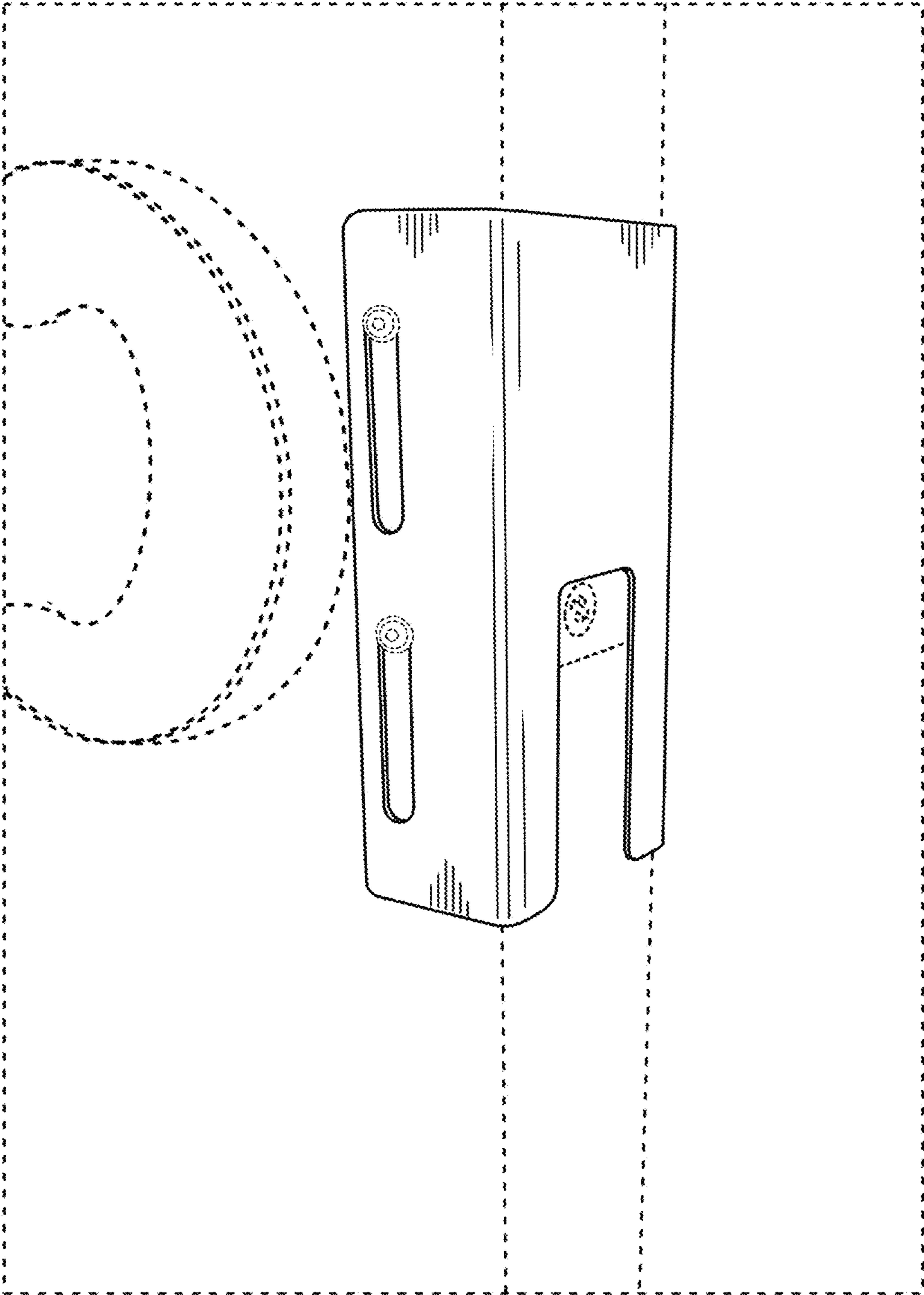




FIG. 10

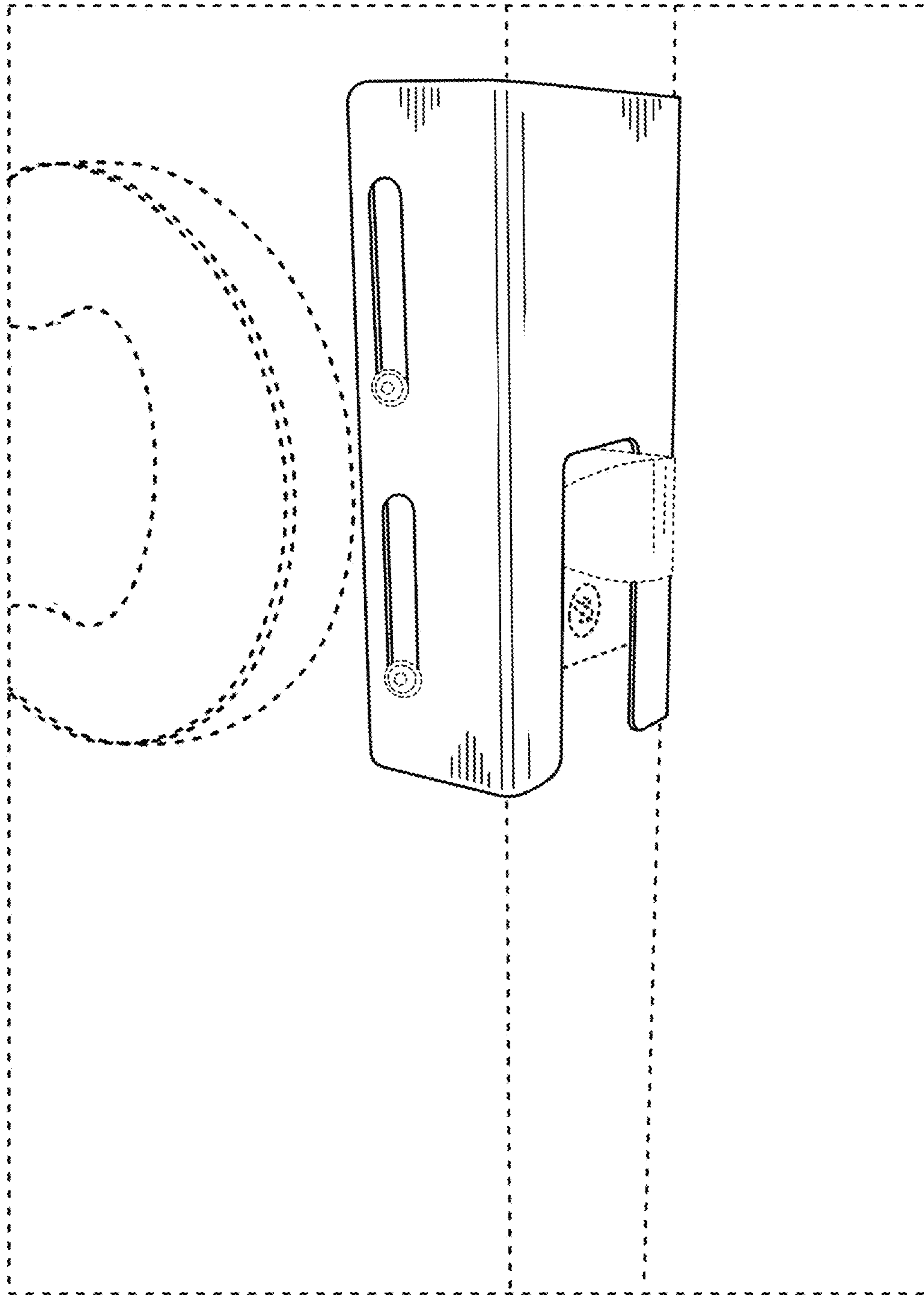


FIG. 11

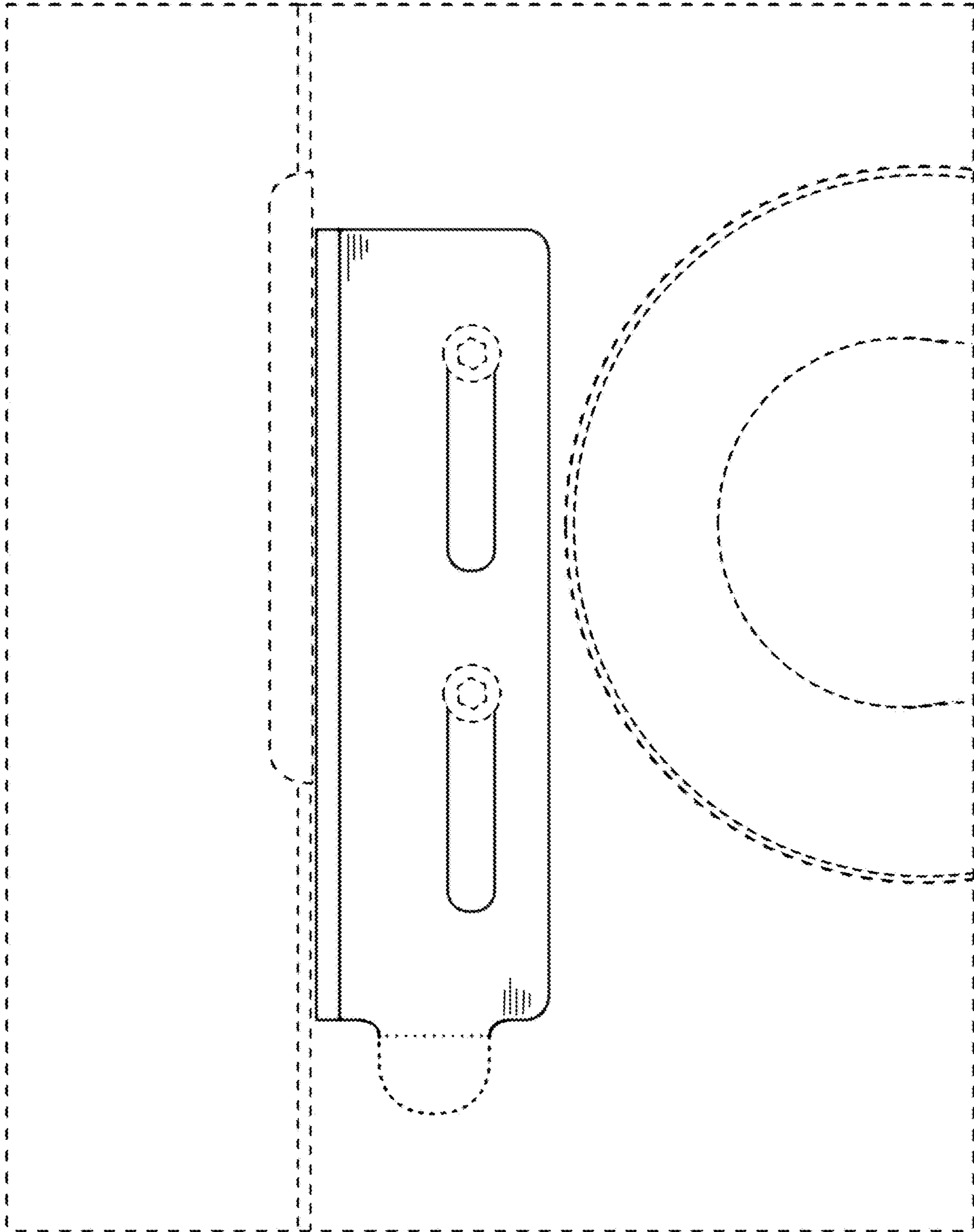


FIG.12

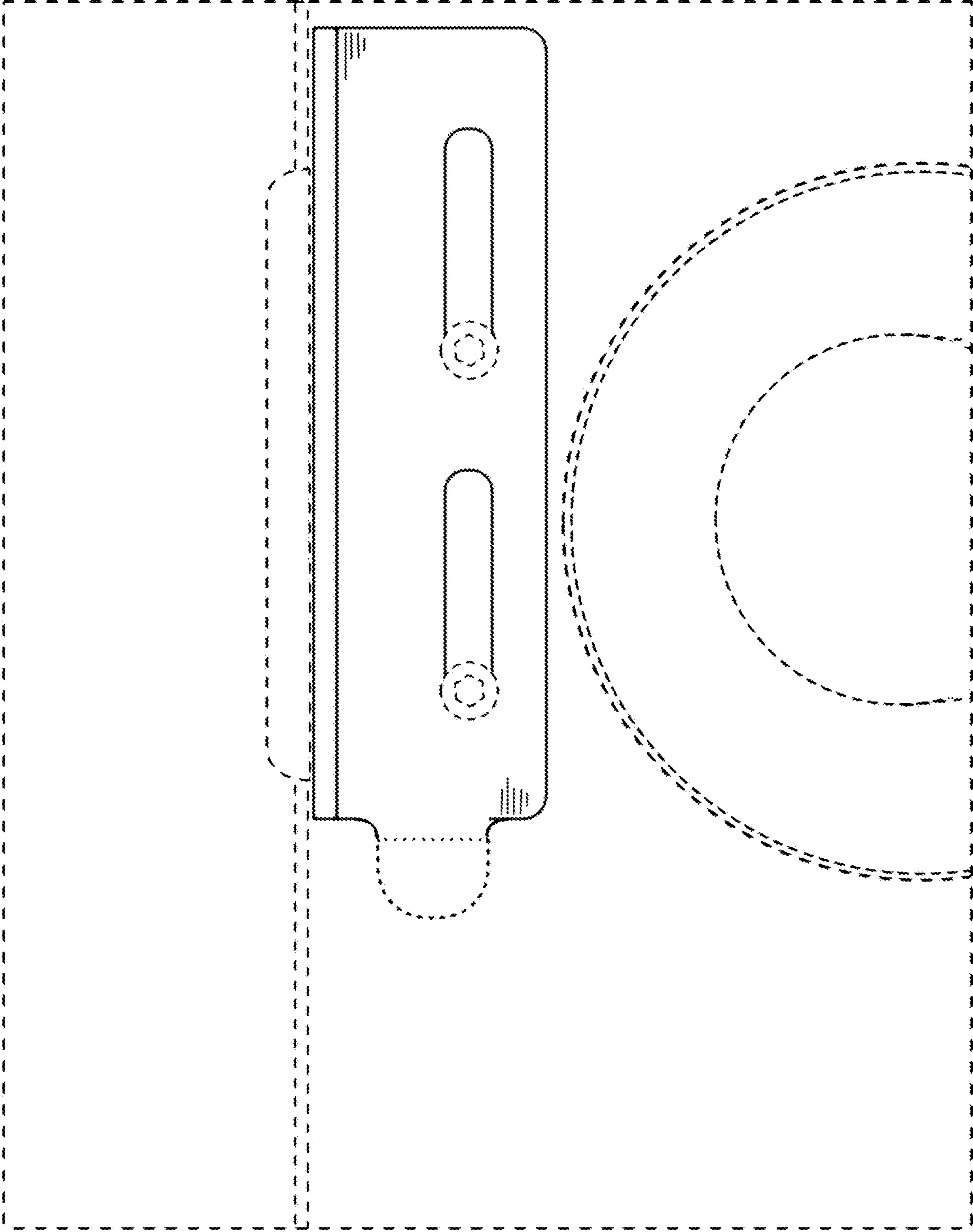


FIG. 13

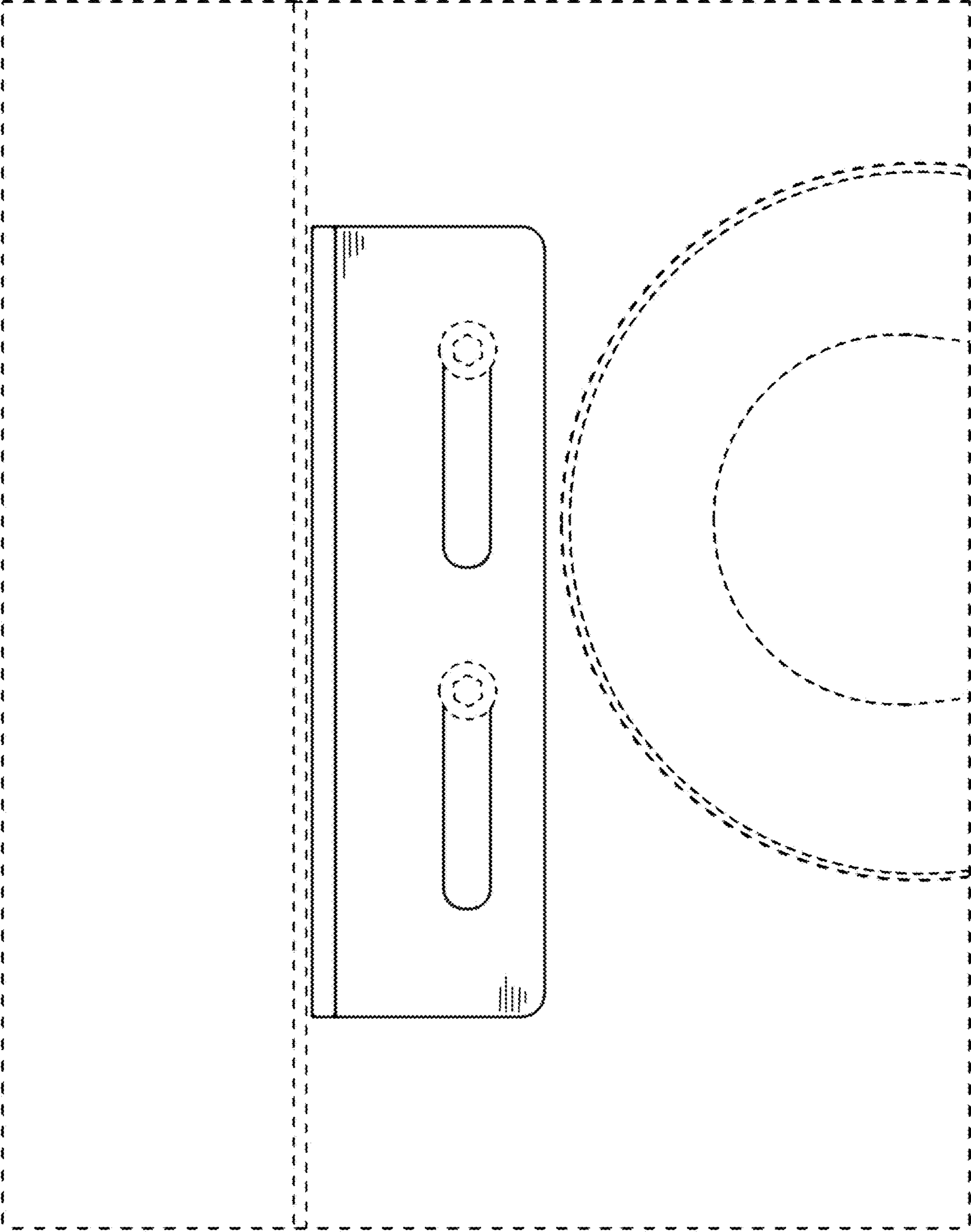


FIG. 14

