



US00D889930S

(12) **United States Design Patent**
Shah

(10) **Patent No.:** **US D889,930 S**
(45) **Date of Patent:** **** Jul. 14, 2020**

(54) **BEARING FOR A SINGLE ACTION HINGE**
(71) Applicant: **ARCHITECTURAL BUILDERS
HARDWARE MFG., INC., Itasca, IL
(US)**
(72) Inventor: **Ankit Shah, South Barrington, IL (US)**
(73) Assignee: **ARCHITECTURAL BUILDERS
HARDWARE MFG., INC., Itasca, IL
(US)**

(**) Term: **15 Years**

(21) Appl. No.: **29/631,741**

(22) Filed: **Jan. 2, 2018**

(51) **LOC (12) Cl.** **08-06**

(52) **U.S. Cl.**
USPC **D8/325; D8/323**

(58) **Field of Classification Search**
USPC D3/24; D8/1, 2, 8, 9, 14, 16, 19, 24, 25,
D8/30, 44, 70, 70.1, 323, 325, 349, 352,
D8/354, 356, 360.1, 367, 382, 499;
D14/484; D15/66, 72, 78, 139; D6/300,
D6/323, 325, 513; D25/121; D20/43;
D21/46, 486, 564, 658
CPC F16C 11/0614; F16C 19/26; F16C 19/36;
F16C 23/086; F16C 33/36

See application file for complete search history.

(56) **References Cited**

U.S. PATENT DOCUMENTS

3,402,422 A 9/1968 Baer
3,838,234 A 9/1974 Peterson
3,842,386 A 10/1974 Suska
4,140,357 A 2/1979 Wolz et al.
4,412,711 A 11/1983 Suska
4,606,394 A 8/1986 Bannister
D299,112 S * 12/1988 Downey 74/526
5,062,181 A 11/1991 Bobowski et al.

5,337,451 A 8/1994 Goossens
RE35,618 E 10/1997 Goossens
5,685,045 A 11/1997 Lace
5,727,960 A 3/1998 Zehrung
6,170,210 B1 1/2001 Marts
6,735,823 B2 5/2004 Pelletier
6,928,713 B2 8/2005 Baer
7,063,042 B2 6/2006 Dillingham
D525,862 S * 8/2006 Wall D8/382
7,406,748 B2 8/2008 Baer
7,650,670 B2 1/2010 Baer et al.
8,307,509 B2 11/2012 Schau
8,517,747 B2 8/2013 Bryla et al.
8,646,206 B2 2/2014 Gilchrist
D706,125 S * 6/2014 Wendt D25/119
D716,854 S * 11/2014 Bergman D15/123
D732,934 S * 6/2015 Egami D8/356
D732,935 S * 6/2015 Egami D8/356

(Continued)

FOREIGN PATENT DOCUMENTS

GB 4035484 5/2014

Primary Examiner — Michael C Stout
Assistant Examiner — Fritzgerald L Butac
(74) *Attorney, Agent, or Firm* — Greer, Burns & Crain,
Ltd.

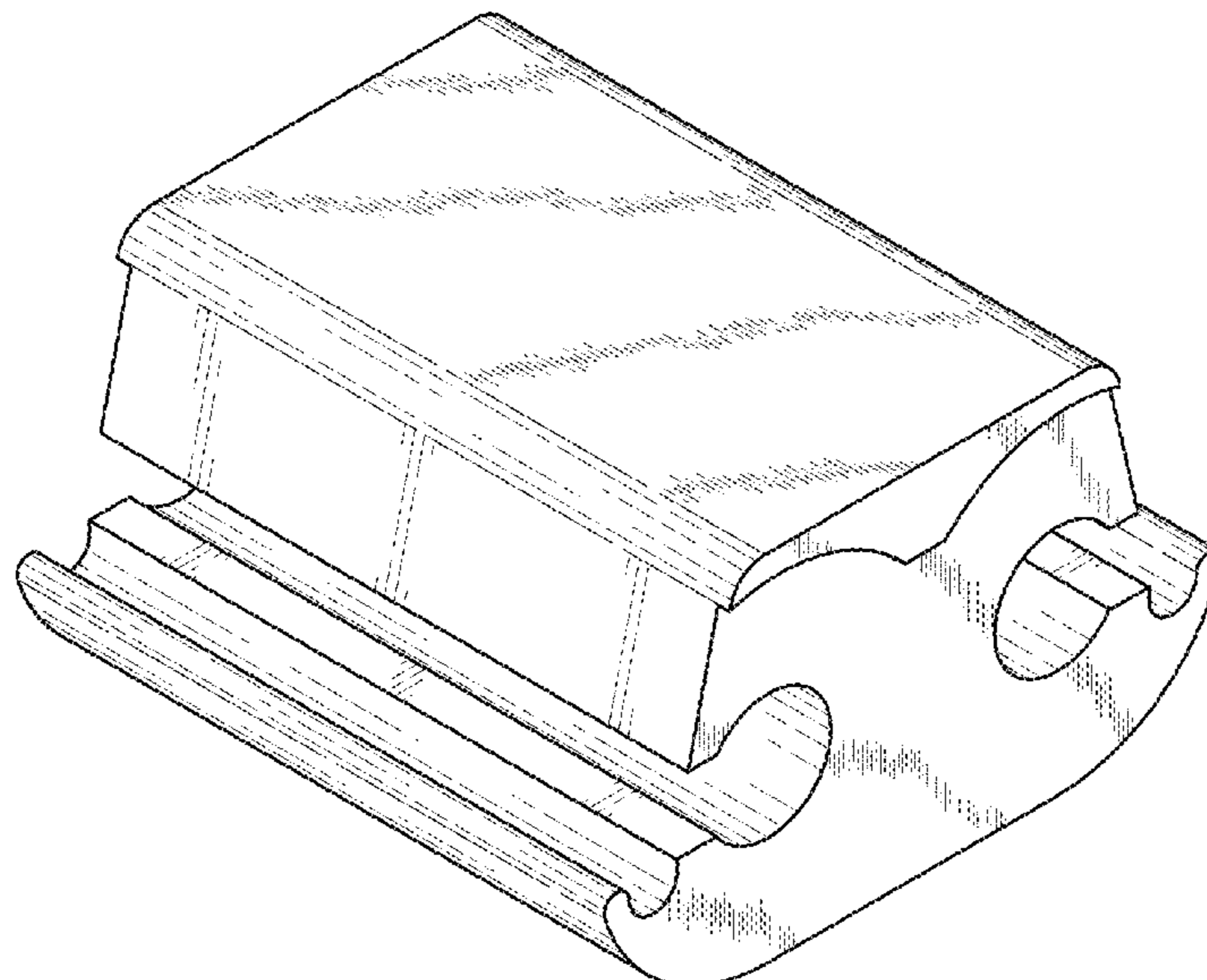
(57) **CLAIM**

The ornamental design for a bearing for a single action hinge, as shown and described.

DESCRIPTION

FIG. 1 is a top perspective view of a bearing for a single action hinge;
FIG. 2 is a left side view thereof;
FIG. 3 is a right side view thereof;
FIG. 4 is a front view thereof;
FIG. 5 is a rear view thereof;
FIG. 6 is a top view thereof; and,
FIG. 7 is a bottom view thereof

1 Claim, 4 Drawing Sheets



(56)

References Cited

U.S. PATENT DOCUMENTS

D733,535	S *	7/2015	Egami	D8/356
D757,157	S *	5/2016	Huang	D16/330
D807,159	S *	1/2018	Heindl	D8/382
D810,008	S *	2/2018	Mollison	D13/102
D821,188	S *	6/2018	Smullen	D8/396
D823,483	S *	7/2018	Wuensch	D25/119
D832,090	S *	10/2018	Heindl	D8/382
D832,687	S *	11/2018	Heindl	D8/382
D832,688	S *	11/2018	Heindl	D8/382
D832,689	S *	11/2018	Heindl	D8/382
D832,690	S *	11/2018	Heindl	D8/382
D832,691	S *	11/2018	Heindl	D8/382
D836,427	S *	12/2018	Heindl	D8/382
2011/0283624	A1	11/2011	Baer	
2014/0077618	A1	3/2014	Herglotz et al.	

* cited by examiner

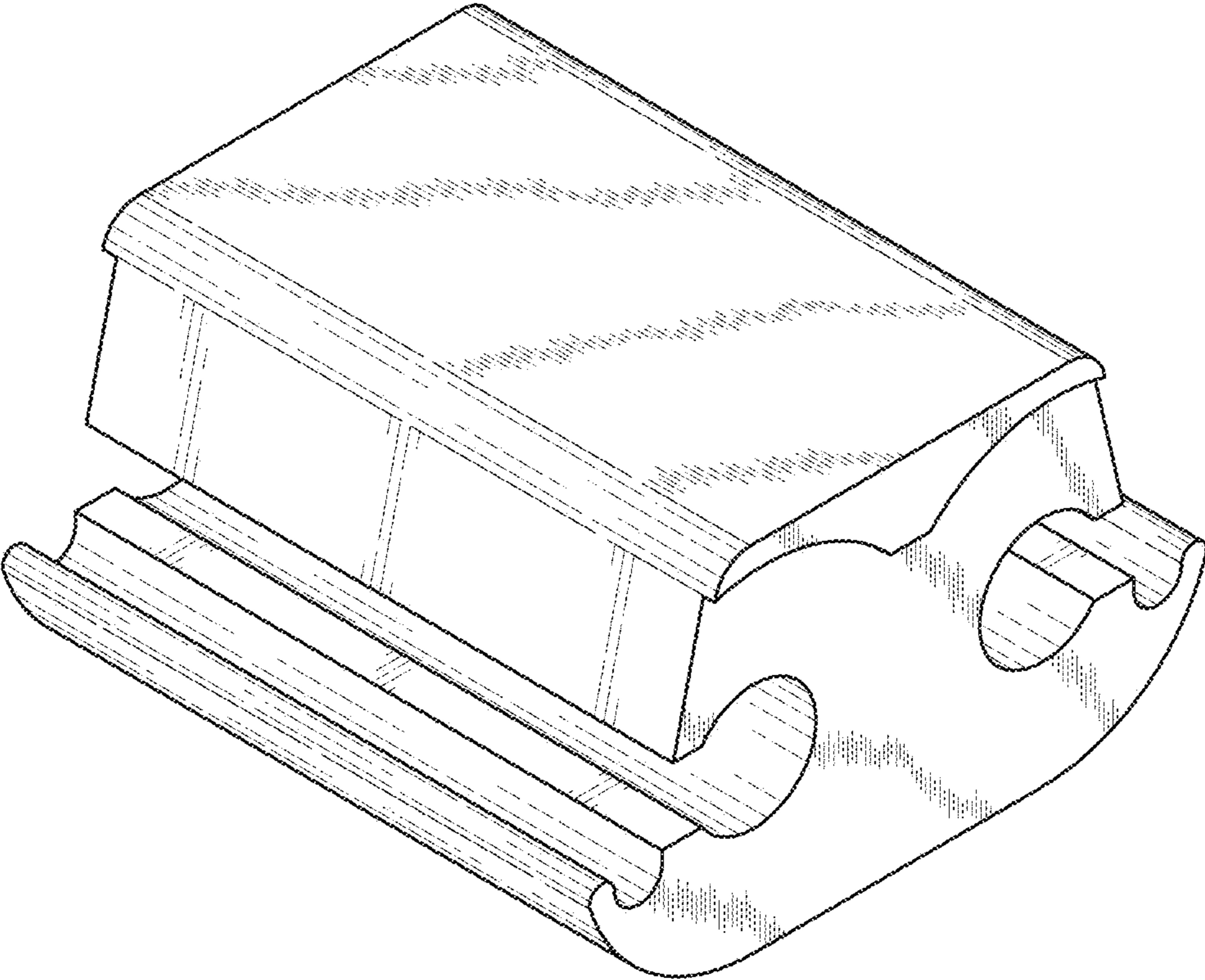


FIG. 1

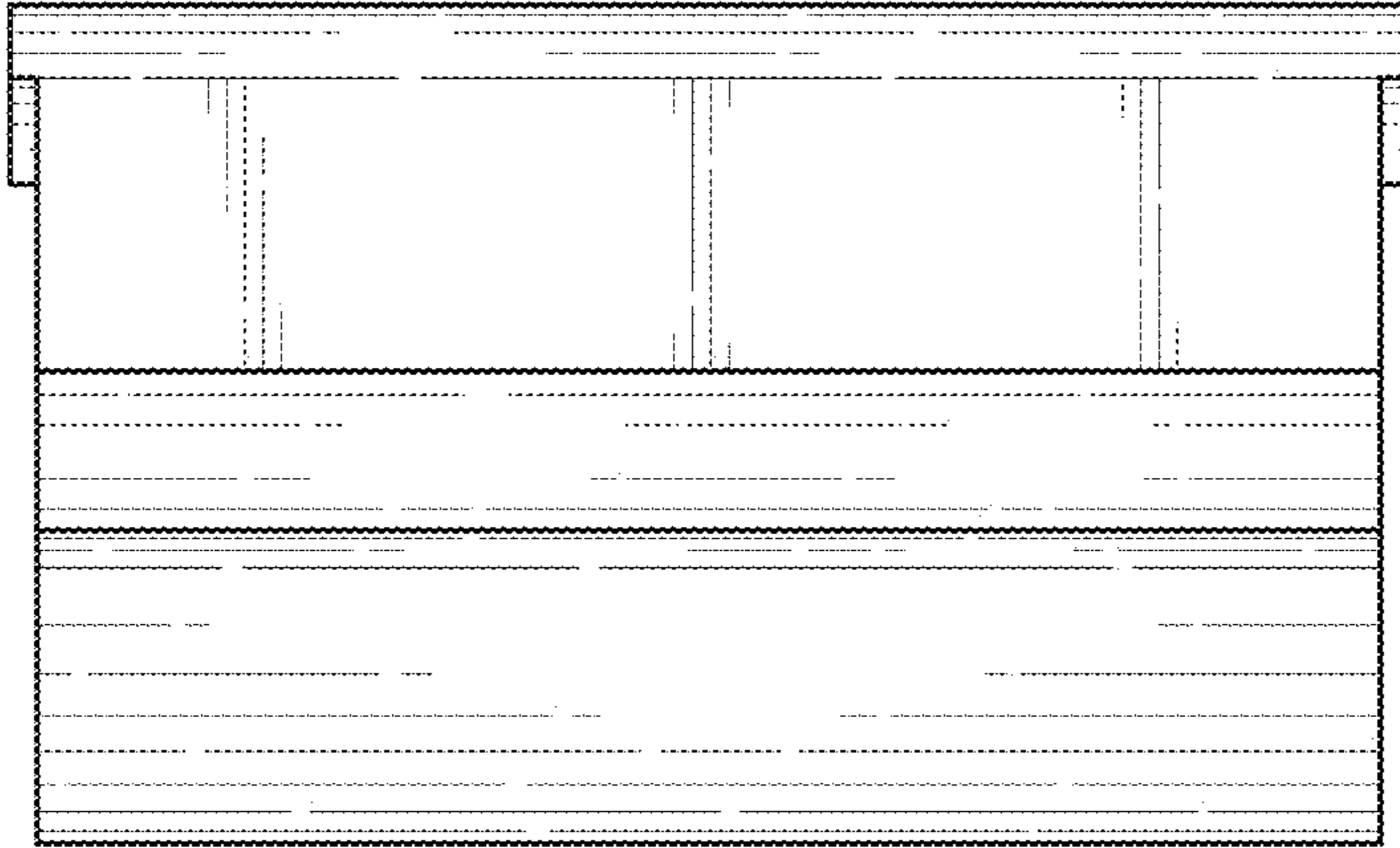


FIG. 2

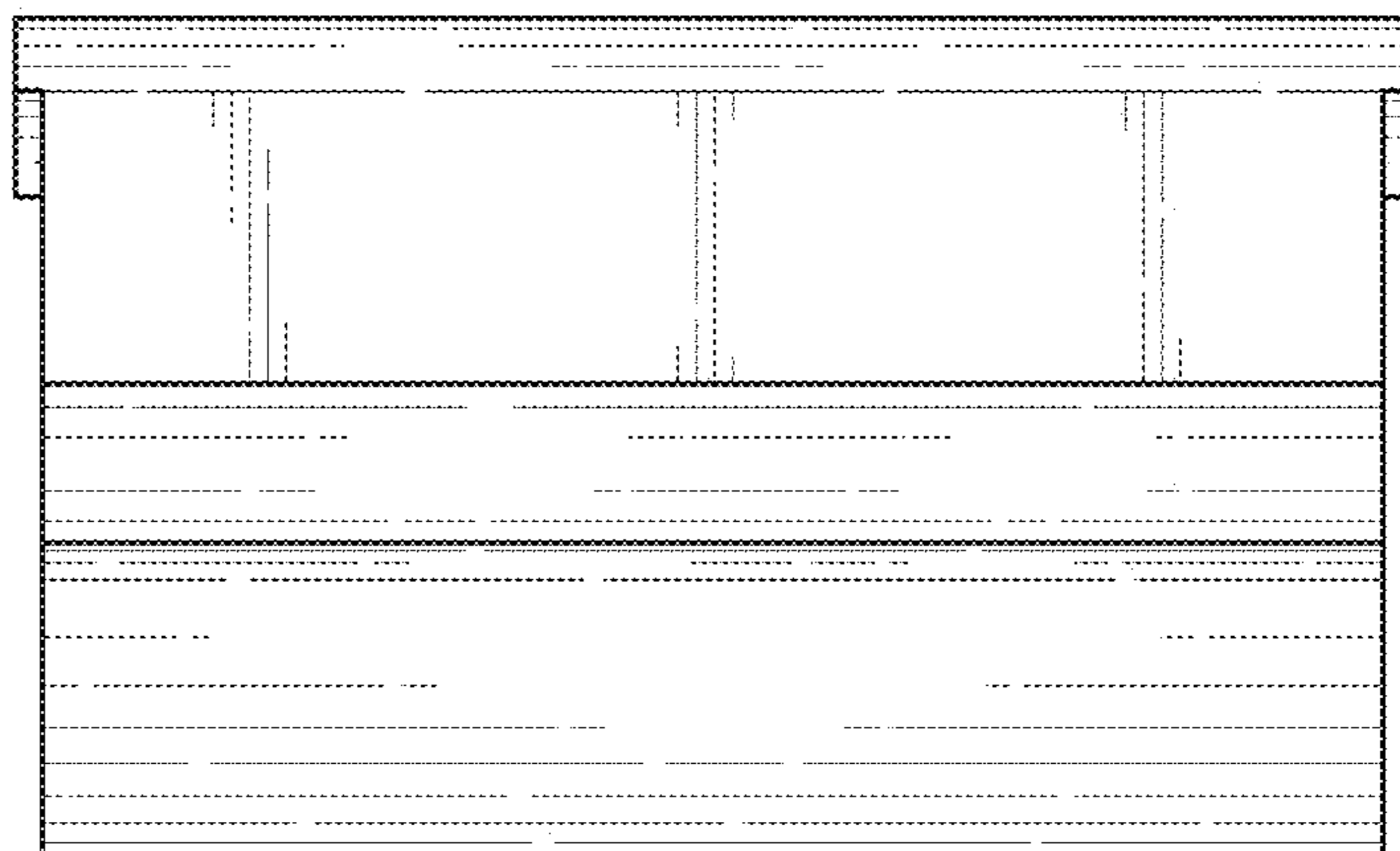


FIG. 3

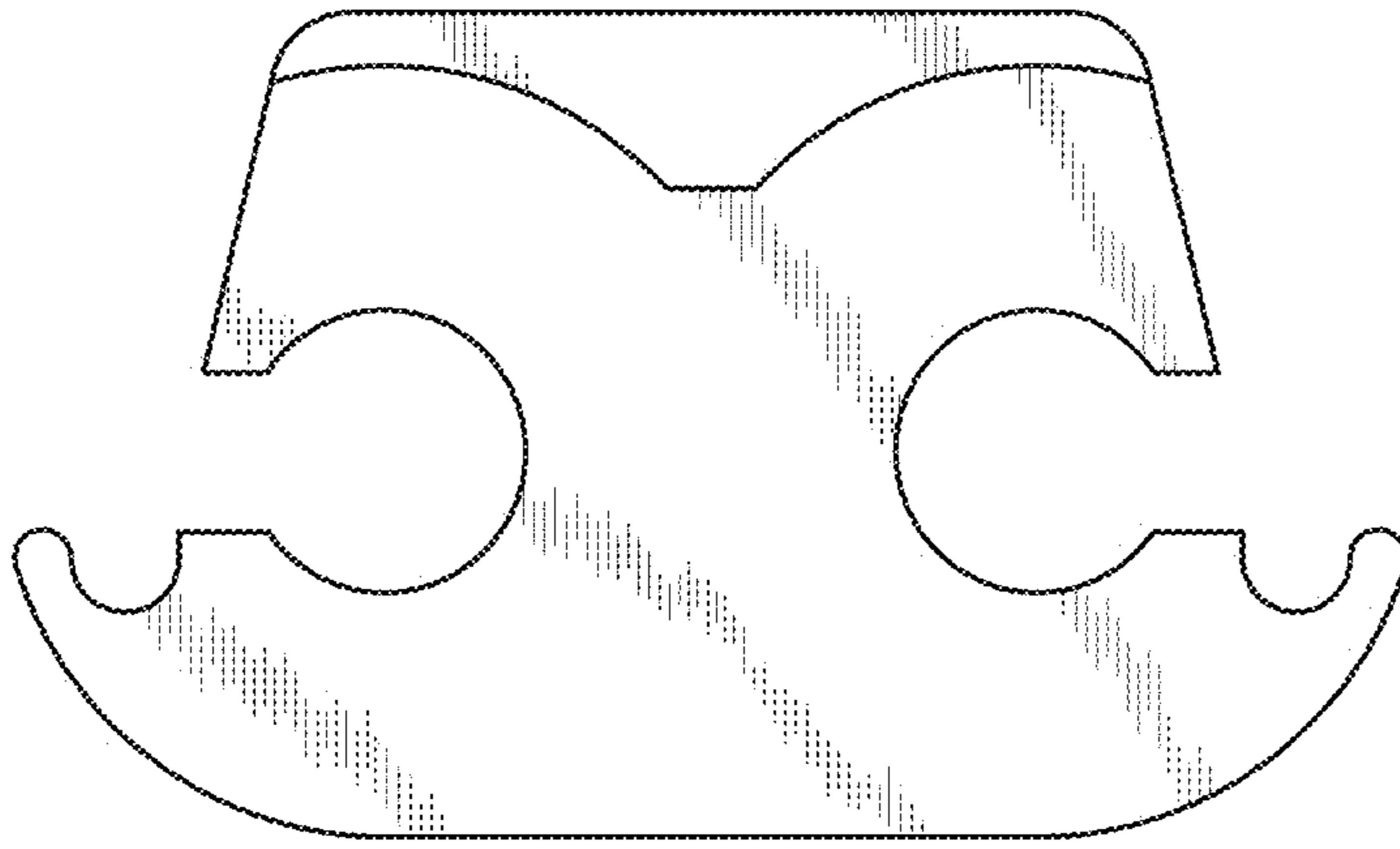


FIG. 4

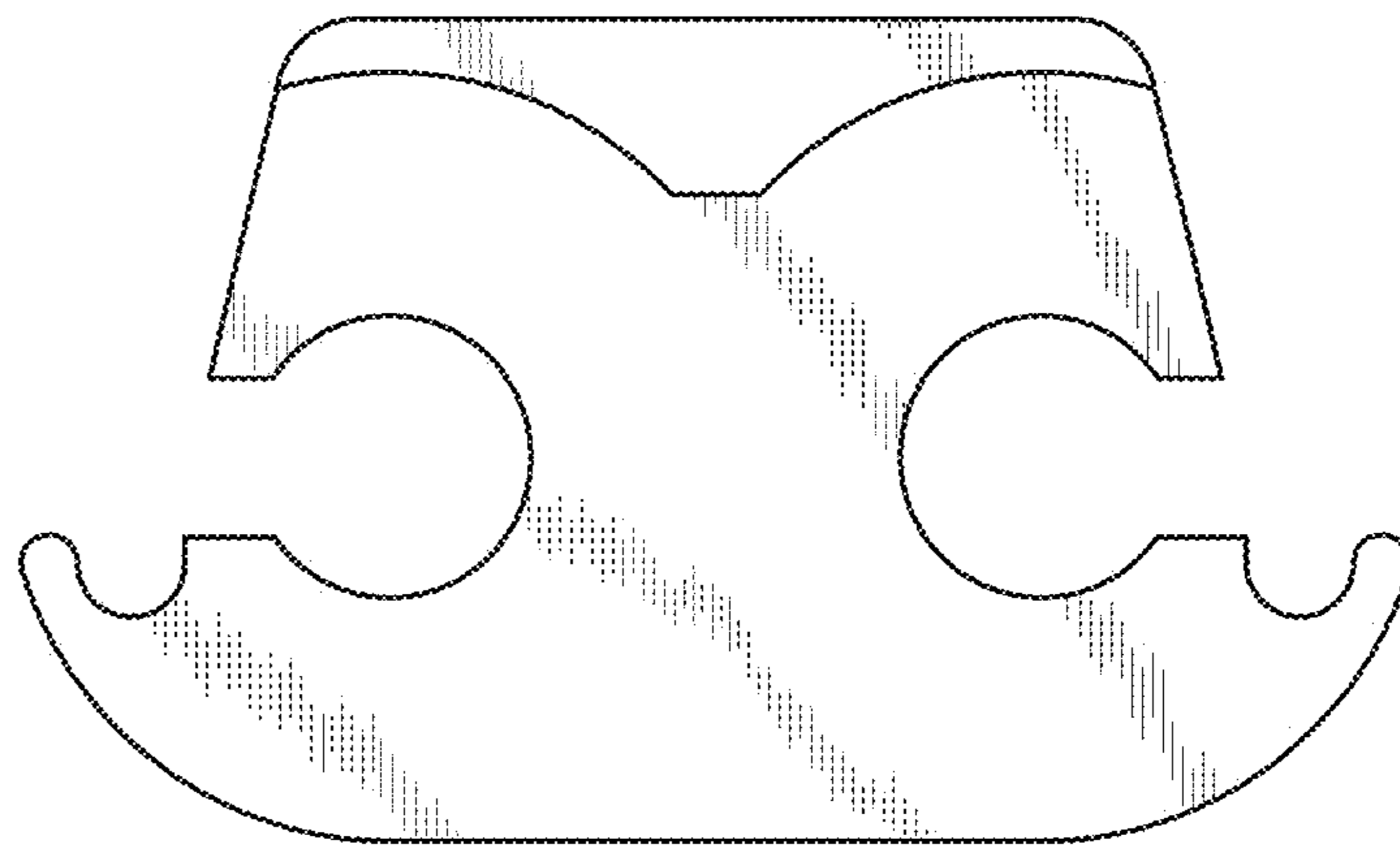


FIG. 5

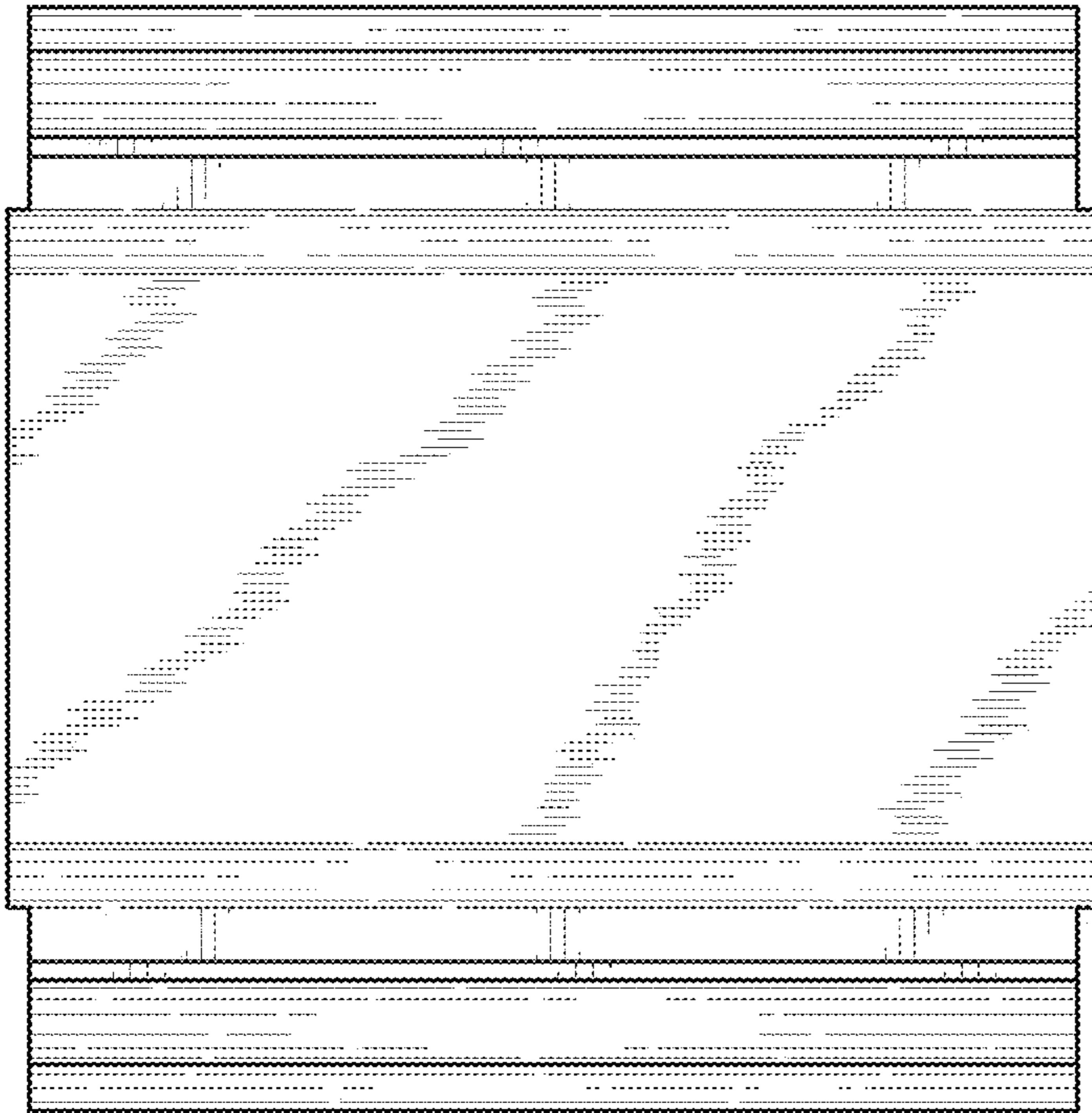


FIG. 6

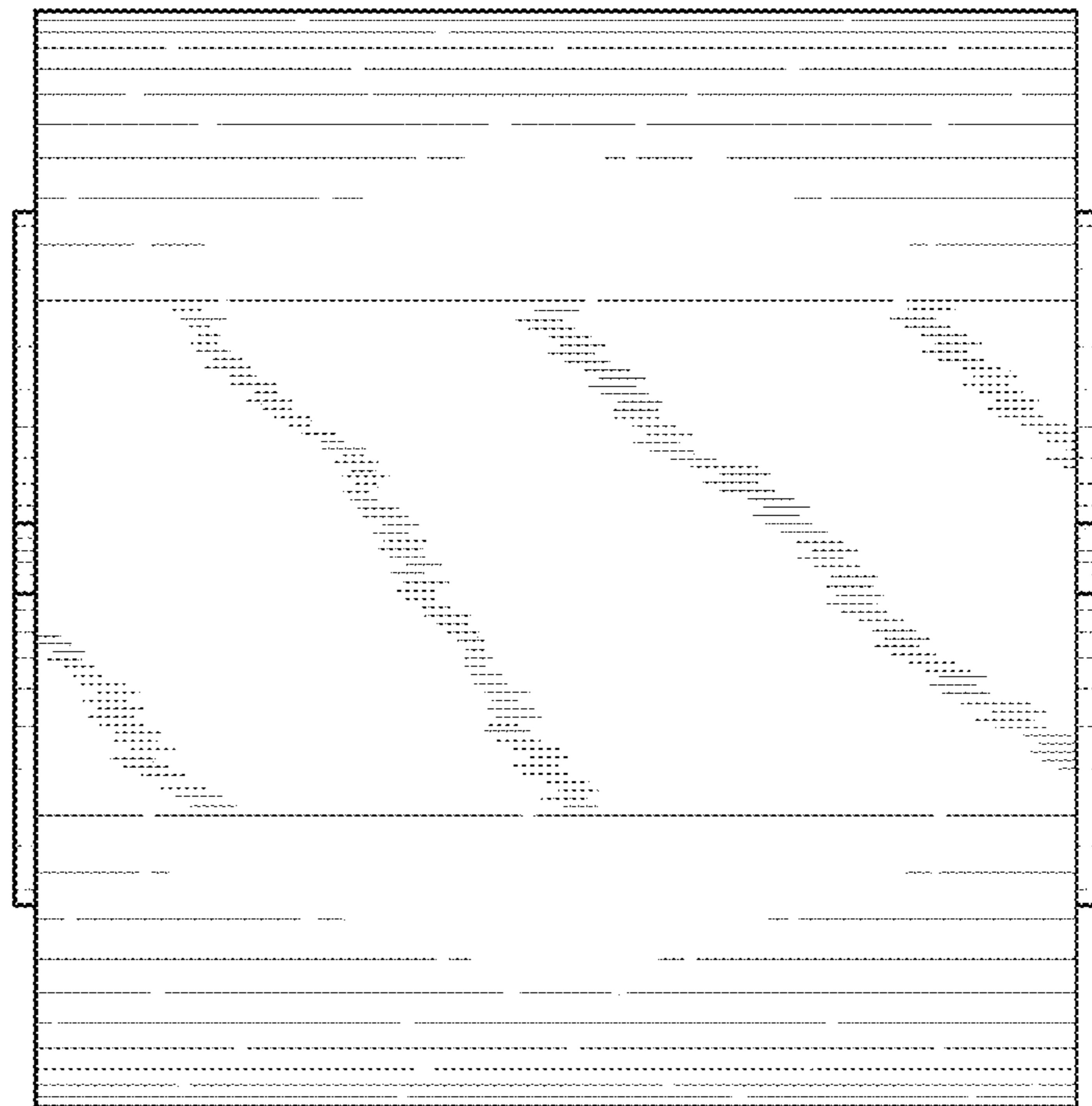


FIG. 7