



US00D889929S

(12) **United States Design Patent**
Stenhouse

(10) **Patent No.:** **US D889,929 S**

(45) **Date of Patent:** **** Jul. 14, 2020**

(54) **SLIDING PANEL HANDLE ASSEMBLY**

(71) Applicant: **ASSA ABLOY New Zealand Limited,**
North Shore (NZ)

(72) Inventor: **Damon Peter Stenhouse,** Auckland
(NZ)

(73) Assignee: **ASSA ABLOY New Zealand Limited,**
North Shore (NZ)

(**) Term: **15 Years**

(21) Appl. No.: **29/693,156**

(22) Filed: **May 31, 2019**

(30) **Foreign Application Priority Data**

Dec. 3, 2018 (NZ) 425441

(51) **LOC (12) Cl.** **08-06**

(52) **U.S. Cl.**
USPC **D8/316; D8/301**

(58) **Field of Classification Search**
USPC D8/300, 301, 302, 303, 308, 315, 316,
D8/330, 331, 341, 338

CPC Y10T 292/0946; Y10T 70/5173
See application file for complete search history.

(56) **References Cited**

U.S. PATENT DOCUMENTS

- 3,046,776 A * 7/1962 Marotto E05B 65/0858
70/97
- D225,963 S * 1/1973 Clayton D8/316
- D294,003 S * 2/1988 Simoncelli D8/302
- 5,369,969 A * 12/1994 Sassella E05B 1/0015
70/90
- D384,266 S * 9/1997 Mantarakis D8/301

- D389,722 S * 1/1998 Blom D8/319
- D417,831 S * 12/1999 Libby D8/302
- D467,784 S * 12/2002 Maier D8/301
- 6,502,435 B2 * 1/2003 Watts E05B 63/20
292/336.3
- 6,641,186 B2 * 11/2003 Tsai E05B 15/02
292/336.3
- D521,351 S * 5/2006 Alchin D8/301
- D525,111 S * 7/2006 Farrell D8/331
- 7,261,330 B1 * 8/2007 Hauber E05B 65/0811
292/123
- D551,534 S * 9/2007 Liang D8/301
- D579,314 S * 10/2008 Tozer D8/331
- D626,815 S * 11/2010 Liang D8/301

* cited by examiner

Primary Examiner — Janice Hallmark

Assistant Examiner — Harold E Blackwell, II

(74) *Attorney, Agent, or Firm* — Sheridan Ross P.C.

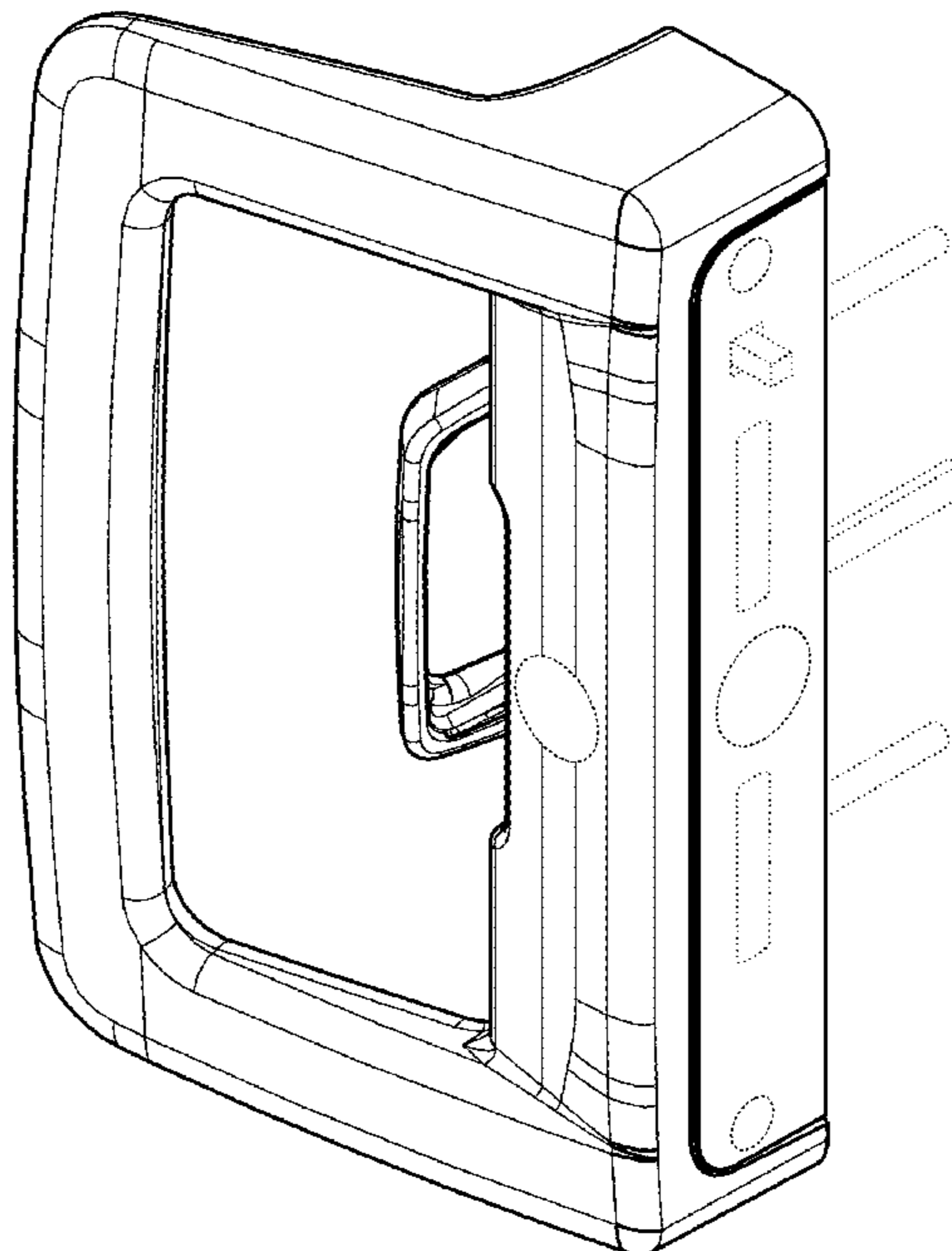
(57) **CLAIM**

The ornamental design for a sliding panel handle assembly,
as shown and described.

DESCRIPTION

FIG. 1 is a perspective view of a sliding panel handle assembly, showing my new design;
 FIG. 2 is a front view thereof;
 FIG. 3 is a left side view thereof;
 FIG. 4 is a right side view thereof; and,
 FIG. 5 is a top view thereof, with the bottom view, not shown, is a mirror image of the top view shown in FIG. 5.
 The bottom view, not shown, is a mirror image of the top view shown in FIG. 5;
 The broken lines in the drawings illustrate environmental subject matter that forms no part of the claimed design.

1 Claim, 5 Drawing Sheets



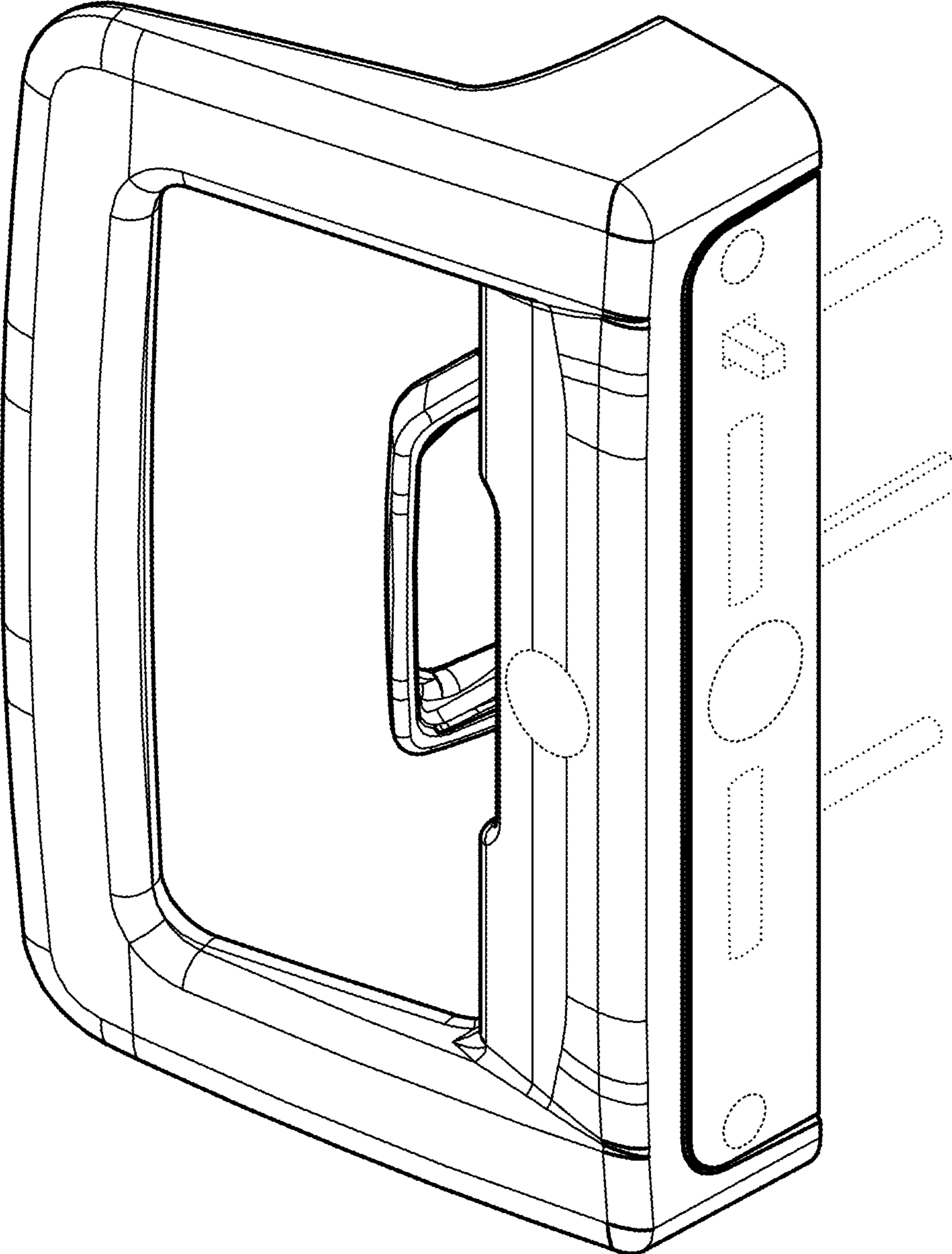


FIG. 1

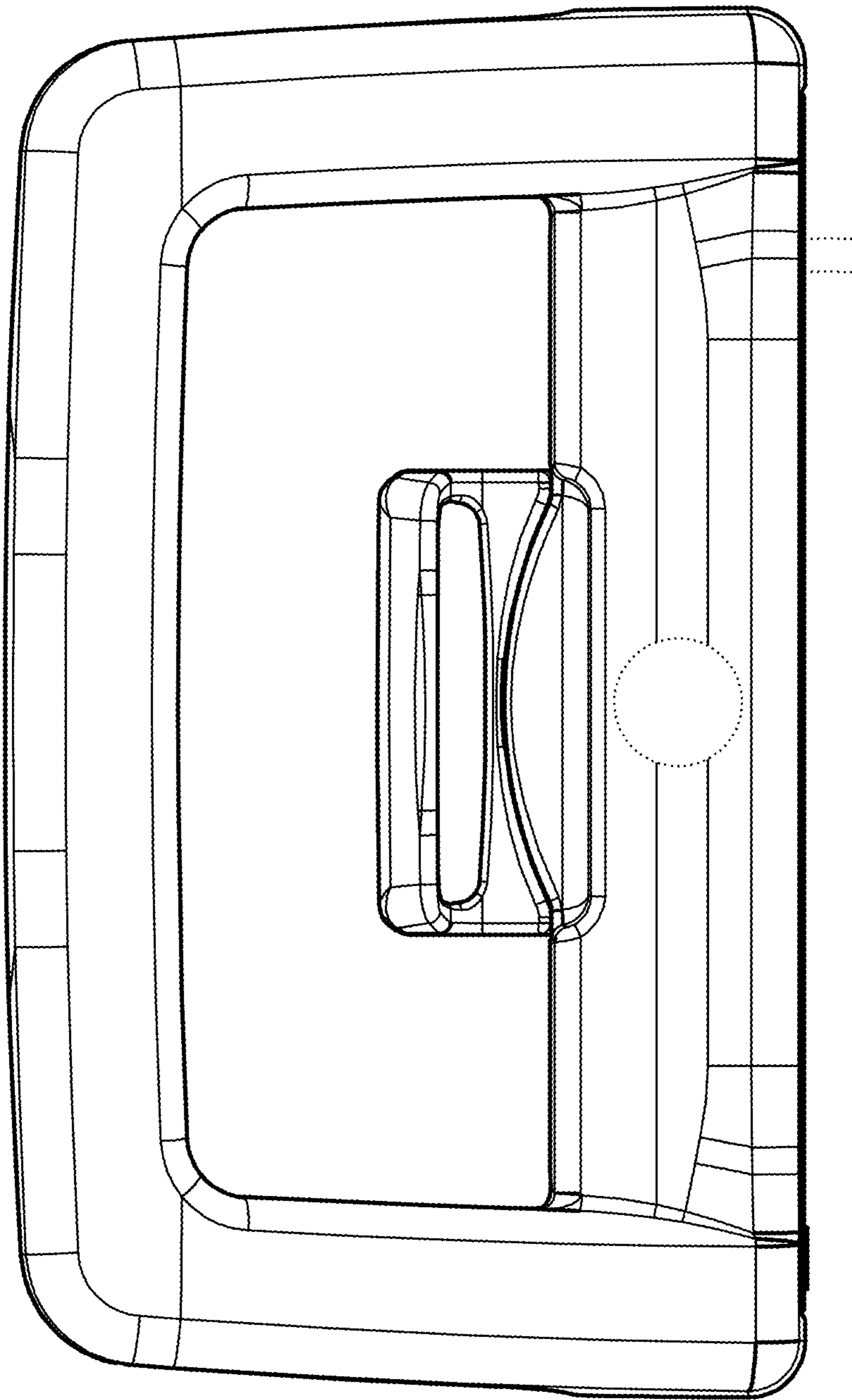


FIG. 2

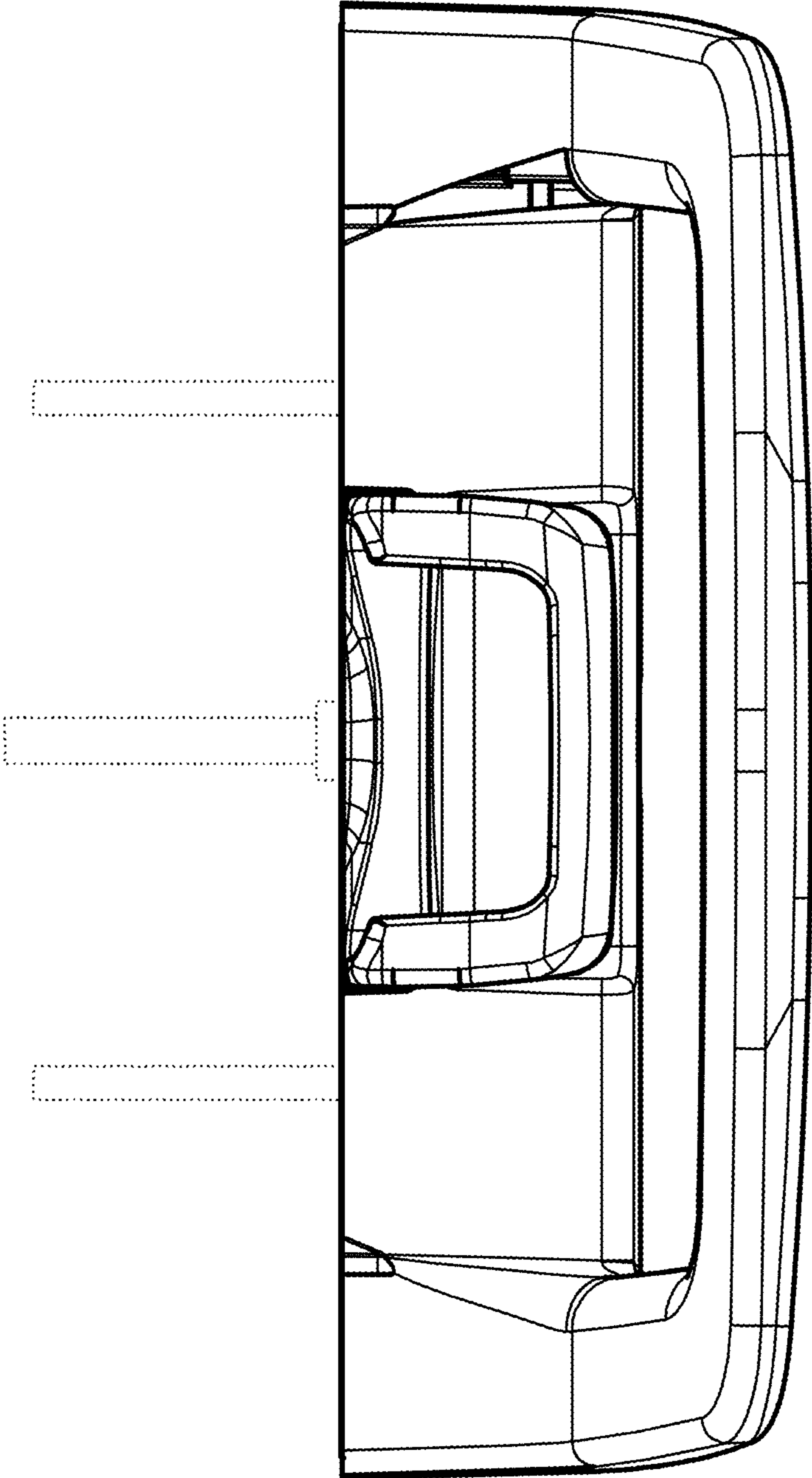


FIG. 3

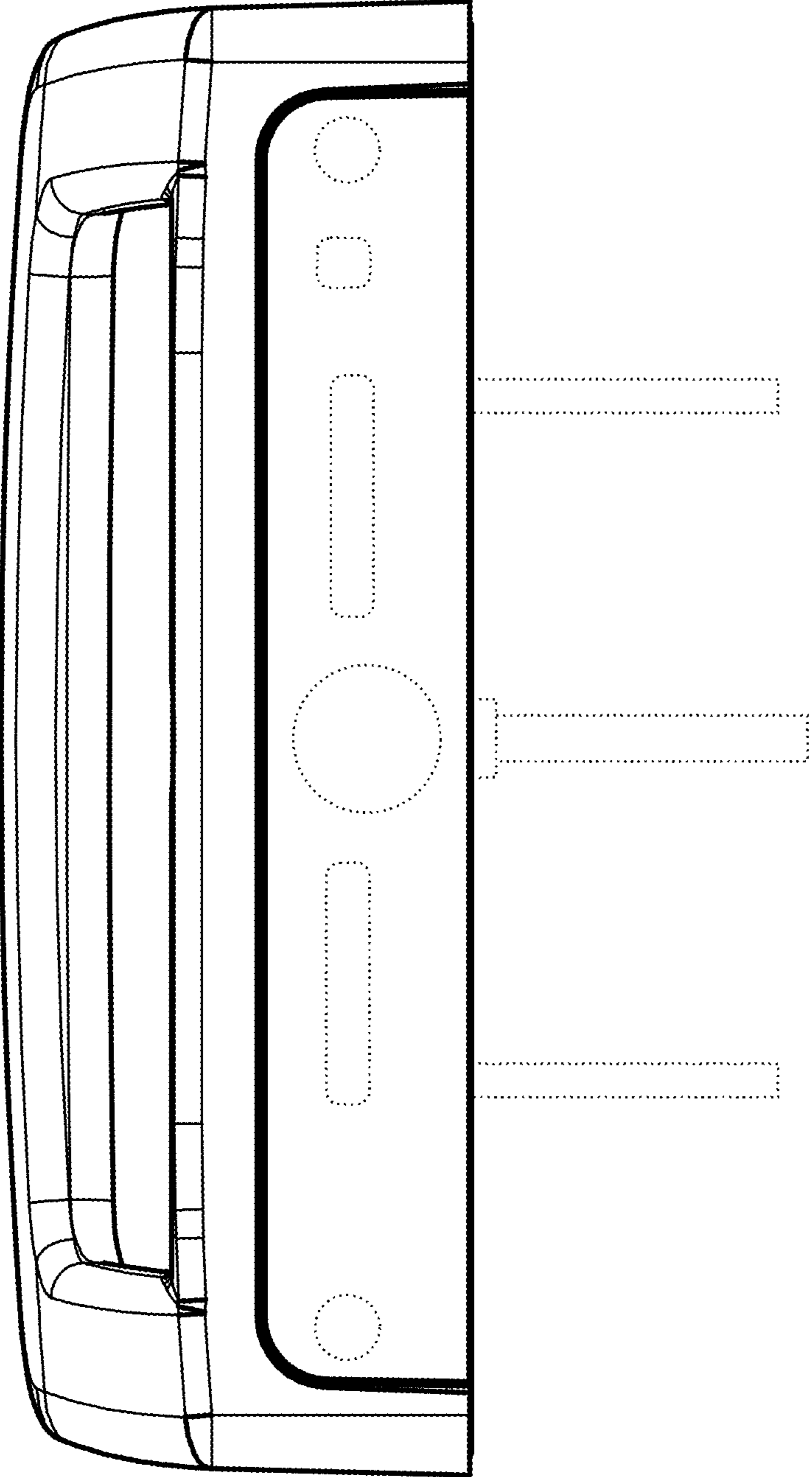


FIG. 4

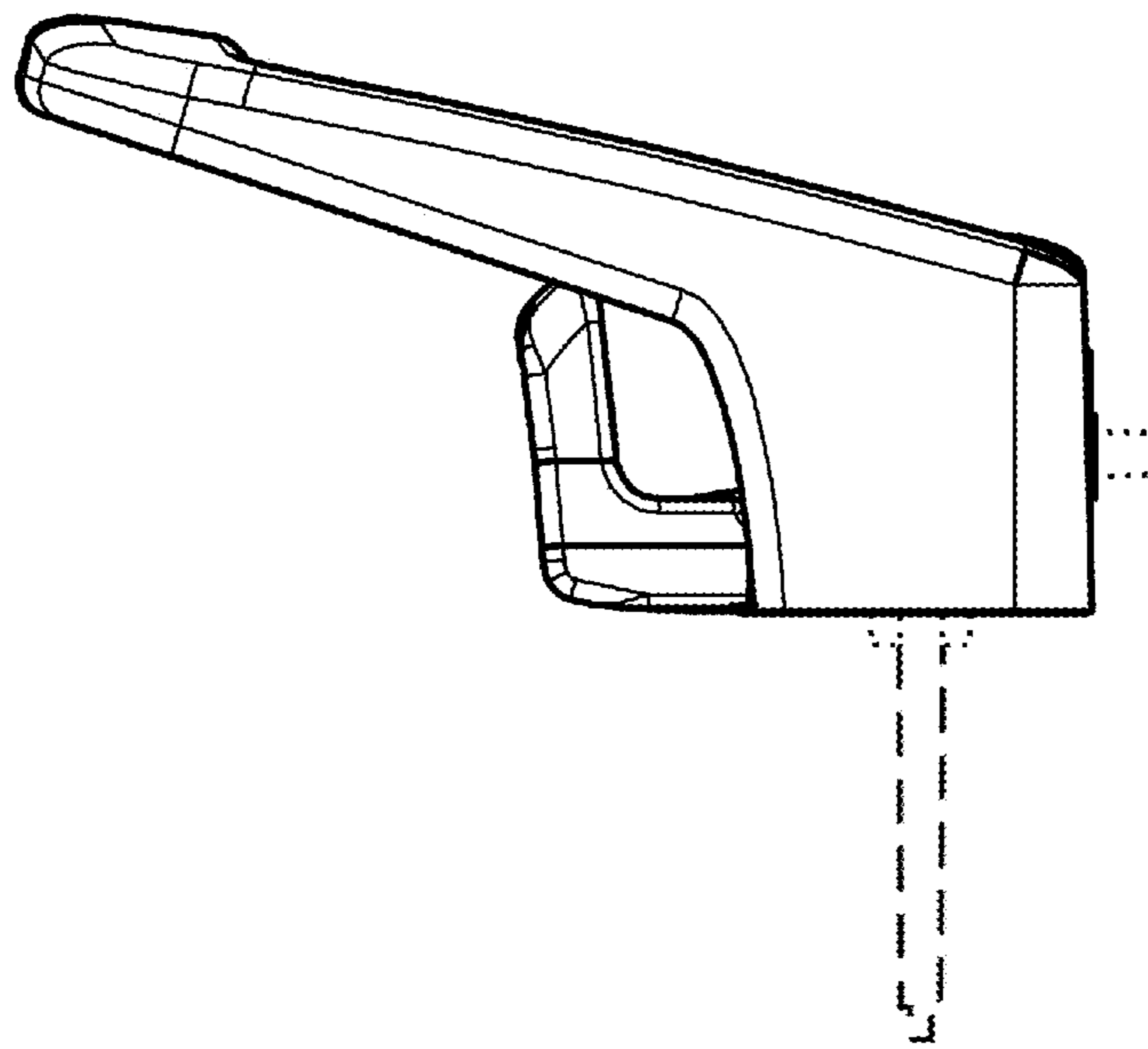


FIG. 5