



US00D889927S

(12) **United States Design Patent** (10) **Patent No.:** **US D889,927 S**
Demers et al. (45) **Date of Patent:** **** Jul. 14, 2020**

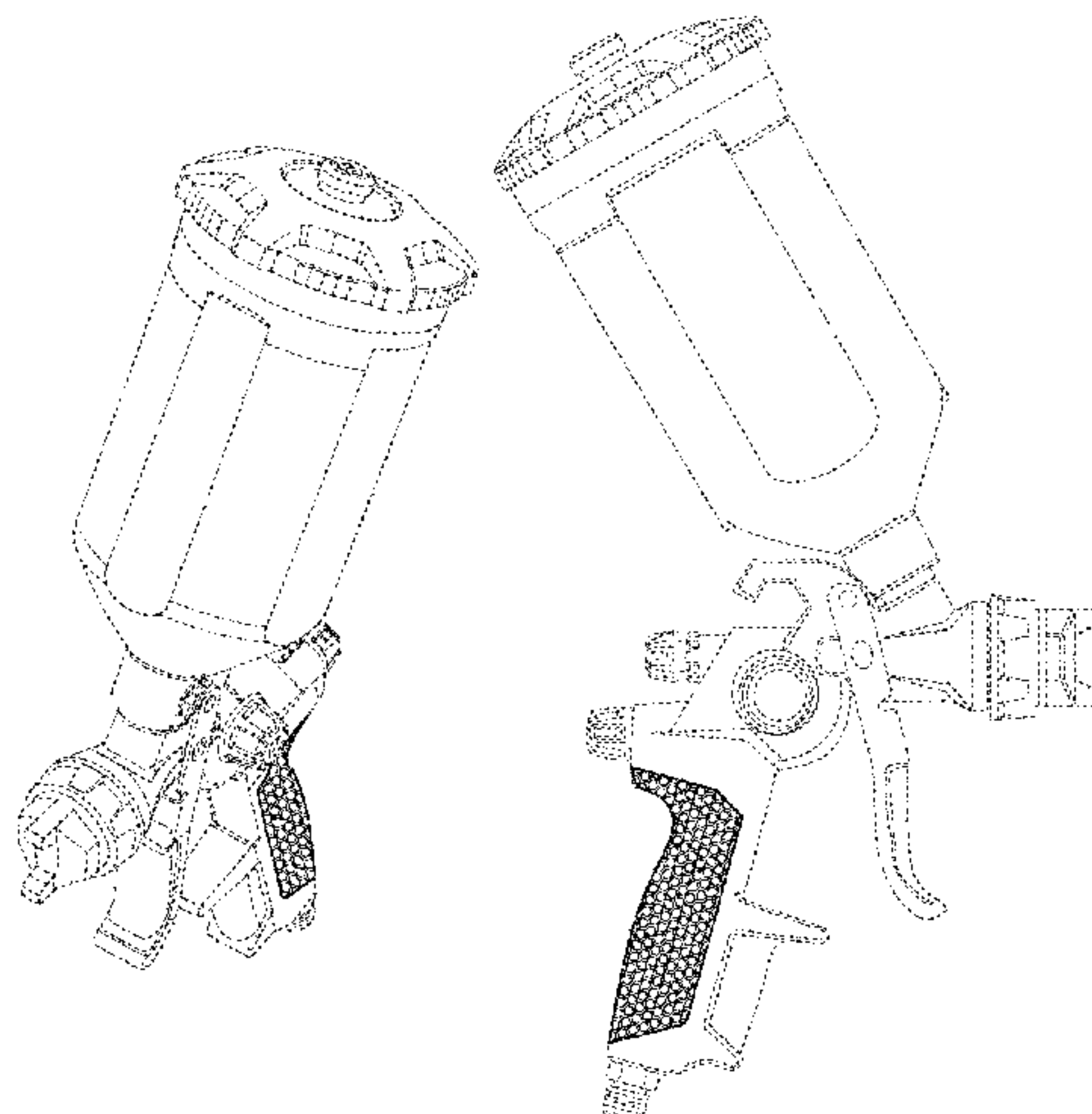
(54) **TOOL HANDLE** 239/302, 586, 525, 583, 456, 457, 507,
239/499, 581.1; 84/320; D4/122;
(71) Applicant: **LOWE'S COMPANIES, INC.**,
Mooreville, NC (US) D7/401.2, 649, 696, 395, 650
CPC B05B 7/24; B05B 7/02; B05B 9/01; B05B
7/12; B05B 1/32; B05B 9/08; A45C
13/26
(72) Inventors: **Brian Joseph Demers**, Huntersville,
NC (US); **Joseph Allen Berlepsch**,
Mooreville, NC (US) See application file for complete search history.

(73) Assignee: **LOWE'S COMPANIES, INC.**,
Mooreville, NC (US)
(**) Term: **15 Years**
(21) Appl. No.: **29/669,214**
(22) Filed: **Nov. 6, 2018**

(56) **References Cited**
U.S. PATENT DOCUMENTS

106,079 A	8/1870	Sapp	
106,099 A	8/1870	Warren	
110,289 A	12/1870	Root	
114,283 A	5/1871	Gallaghee	
1,253,453 A	1/1918	Zorn	
1,257,948 A	2/1918	Aaron	
1,273,713 A	7/1918	Aaron	
1,674,485 A	6/1928	Smith	
D106,079 S	9/1937	Younglof	
D106,099 S	9/1937	Kalmis	
D110,289 S	6/1938	Morse	
D114,283 S	4/1939	Katz	
2,361,682 A	10/1944	Grabec	
D142,590 S	10/1945	Simon	
D151,860 S	11/1948	Stoyer	
D152,155 S	12/1948	Schinske	
D177,537 S	4/1956	Schinske	
D180,805 S	8/1957	Plassman	
3,082,652 A	3/1963	Marti	
D199,088 S	9/1964	Hurlbut	
3,398,601 A	8/1968	Schroeder	
D218,009 S	7/1970	Bosnick	
3,530,739 A	9/1970	Meier	
D233,507 S	11/1974	Stevens, Jr. et al.	
D246,691 S	12/1977	Takahashi	
D271,843 S	12/1983	Ferdinand et al.	
D282,236 S	1/1986	Shohoji et al.	
D288,769 S	3/1987	Doman	
D288,770 S	3/1987	Doman	
D289,136 S	4/1987	Doman	
D301,967 S	7/1989	Sakamoto et al.	
D303,748 S	* 10/1989	Yamagishi	D7/649
D316,020 S	4/1991	Fushiya et al.	
5,084,935 A	2/1992	Kalthoff	
D324,411 S	3/1992	Jolibois	
D325,506 S	4/1992	Michas et al.	
D328,559 S	8/1992	Wilson	
D329,590 S	9/1992	Chapman	
D332,561 S	1/1993	Fushiya et al.	
5,193,730 A	3/1993	Tanaka et al.	

Related U.S. Application Data
(62) Division of application No. 29/601,602, filed on Apr. 24, 2017, now Pat. No. Des. 837,025, which is a division of application No. 29/530,843, filed on Jun. 19, 2015, now Pat. No. Des. 788,564, which is a division of application No. 29/472,387, filed on Nov. 12, 2013, now Pat. No. Des. 735,553, which is a division of application No. 29/406,984, filed on Nov. 21, 2011, now Pat. No. Des. 696,596, which is a division of application No. 29/390,549, filed on Apr. 26, 2011, now Pat. No. Des. 652,702, which is a division of application No. 29/361,192, filed on May 6, 2010, now Pat. No. Des. 639,132, which is a division of application No. 29/318,754, filed on May 27, 2008, now Pat. No. Des. 617,623, which is a division of application No. 29/249,420, filed on Oct. 5, 2006, now Pat. No. Des. 589,322.
(51) **LOC (12) Cl.** **08-05**
(52) **U.S. Cl.**
USPC **D8/107**
(58) **Field of Classification Search**
USPC D8/107, 68, 69, 70, 80; D23/225, 226, D23/223; D32/53, 54; D34/27; 227/120; 173/171; 16/430; 239/526,



US D889,927 S

D358,746 S	5/1995	Neff		D471,976 S	3/2003	Pavlu et al.	
D359,216 S *	6/1995	Kozak	D8/70	D472,787 S *	4/2003	Kyte	D8/10
D365,742 S	1/1996	Decursu et al.		D474,412 S	5/2003	Ichinose et al.	
5,528,834 A *	6/1996	Seber	B25G 1/102 30/340	D474,528 S *	5/2003	Huang	D23/225
D375,243 S *	11/1996	Hasegawa	D22/118	D475,269 S	6/2003	Matern	
D375,269 S	11/1996	Wertheim et al.		D475,598 S	6/2003	Hung	
D376,637 S *	12/1996	Kieffer	D23/223	D477,980 S	8/2003	Chang	
5,579,556 A	12/1996	Chung		D478,292 S	8/2003	Hsu	
5,582,834 A	12/1996	Leung et al.		D479,110 S	9/2003	Nolan et al.	
D377,590 S	1/1997	Lai		D482,203 S	11/2003	Goulet	
D378,268 S *	3/1997	Schultz	D8/68	D482,259 S	11/2003	Chen	
D383,658 S	9/1997	Kaiser		D483,633 S	12/2003	Jansson et al.	
D387,734 S	12/1997	Hawkins et al.		D483,634 S	12/2003	Jansson et al.	
D389,394 S	1/1998	Taylor		D484,767 S	1/2004	Hsu	
D394,995 S	6/1998	Cooper		D485,738 S	1/2004	Pretzell	
D396,619 S	8/1998	Hunter		D486,047 S	2/2004	Jansson et al.	
D398,507 S	9/1998	Thompson et al.		D486,050 S	2/2004	Rampen	
D399,113 S	10/1998	Balolia		D486,716 S	2/2004	Levine et al.	
D400,074 S *	10/1998	Cooper	D8/68	D487,025 S	2/2004	Grunstad et al.	
5,839,992 A	11/1998	Phillips		D487,875 S	3/2004	Wang	
D406,520 S	3/1999	Bunzel et al.		D490,680 S	6/2004	Levine et al.	
D407,000 S	3/1999	Jacoff		D491,083 S	6/2004	Lin	
D410,859 S	6/1999	Hioki		6,742,222 B2	6/2004	Furr-Britt et al.	
D411,726 S *	6/1999	Novak	D8/107	6,745,883 B2	6/2004	Eto et al.	
D412,273 S	7/1999	Chung		6,752,556 B2	6/2004	Pearce	
D415,007 S	10/1999	Jimenez et al.		D492,559 S	7/2004	Itano	
D415,971 S	11/1999	Hsu		D495,226 S	8/2004	Grant et al.	
D416,179 S	11/1999	Staton et al.		6,772,994 B1	8/2004	Lawless	
D416,182 S	11/1999	Kaiser et al.		6,776,073 B1	8/2004	Brady et al.	
D416,184 S	11/1999	Gathmann		6,796,002 B2	9/2004	Beckwith	
D416,775 S	11/1999	Hwang et al.		D501,538 S *	2/2005	Zeng	D23/226
D416,776 S	11/1999	Liu		6,858,286 B1	2/2005	Simm et al.	
D418,730 S	1/2000	Main		D502,377 S	3/2005	Aglassinger	
D418,731 S	1/2000	Rowlay et al.		D503,351 S	3/2005	Chen	
D420,879 S	2/2000	Watson et al.		D503,897 S	4/2005	Lin	
D421,231 S	2/2000	Hsu		D504,077 S	4/2005	DeBoer et al.	
D422,481 S	4/2000	Bertani		D507,195 S	7/2005	Kondo et al.	
D424,401 S	5/2000	Ziemer		D507,197 S	7/2005	Sun	
6,056,344 A	5/2000	Forsyth		D507,950 S *	8/2005	Aglassinger	D8/68
6,062,323 A *	5/2000	Pusateri	B25B 21/02 173/169	D510,247 S	10/2005	White	
6,073,863 A *	6/2000	Wang	B05B 1/3026 239/525	D510,849 S	10/2005	Carlson et al.	
D429,134 S	8/2000	Schultz et al.		D512,291 S	12/2005	Thomas et al.	
D432,034 S	10/2000	Heimerle		D512,927 S *	12/2005	Verdura	D10/71
D432,381 S	10/2000	Khachatoorian		D515,383 S *	2/2006	Aglassinger	D8/69
D432,883 S	10/2000	Wingert		D515,389 S	2/2006	Hsu	
6,128,808 A	10/2000	JAansson et al.		D516,893 S	3/2006	Kuo	
D433,344 S	11/2000	Hsu		D517,645 S *	3/2006	Chang	D23/226
D434,298 S *	11/2000	Izumisawa	D8/68	D517,888 S	3/2006	DeBoer et al.	
6,176,156 B1 *	1/2001	Coonrad	B25D 1/00 81/20	D517,889 S	3/2006	Hsieh	
6,186,386 B1	2/2001	Canlas et al.		D519,017 S	4/2006	Hsieh	
6,189,759 B1	2/2001	Canlas et al.		D519,816 S	5/2006	Budrow et al.	
6,195,562 B1	2/2001	Pirhonen et al.		D520,856 S	5/2006	Osiecki et al.	
D440,848 S	4/2001	Izumisawa		D520,859 S	5/2006	Osiecki et al.	
D440,856 S	4/2001	Jimenez		D521,346 S	5/2006	Budrow et al.	
D441,269 S	5/2001	Tsai		D521,347 S	5/2006	Budrow et al.	
D441,671 S	5/2001	Hsu		7,051,626 B1	5/2006	Chen et al.	
D442,053 S	5/2001	Jimenez		7,054,626 B2	5/2006	Rossmann	
D442,458 S	5/2001	Jimenez		D522,889 S	6/2006	Wallace	
D446,942 S	8/2001	Kim		D523,234 S	6/2006	DeBoer et al.	
6,290,115 B1	9/2001	Chen		D527,236 S	8/2006	Wu	
D449,546 S	10/2001	Lee		D528,910 S	9/2006	Kingsley	
D453,880 S *	2/2002	Cheyne	D5/47	D529,357 S	10/2006	Qiu	
D454,477 S	3/2002	Lin		D530,200 S	10/2006	Kingsley	
6,363,579 B1	4/2002	King		D533,455 S	12/2006	Leck et al.	
6,371,348 B1	4/2002	Canlas et al.		D533,796 S	12/2006	Radivojevic et al.	
6,376,716 B1 *	4/2002	Arai	C07C 319/06 568/21	D534,091 S	12/2006	Ebihara	
D456,727 S	5/2002	Yang		D536,908 S	2/2007	Eros	
D457,003 S *	5/2002	Newman	D4/122	D536,944 S	2/2007	Tsai et al.	
6,460,256 B2 *	10/2002	Peppel	B25G 1/102 30/340	D537,308 S	2/2007	Wang	
D465,716 S *	11/2002	Hsieh	D8/107	D537,676 S	3/2007	Kingsley	
D467,483 S	12/2002	Heun		D537,697 S	3/2007	Jimenez	
D468,607 S	1/2003	Price et al.		D538,129 S	3/2007	Jansson et al.	
D471,784 S	3/2003	Garvis et al.		D543,081 S	5/2007	Watson	
				D543,085 S	5/2007	Aglassinger	
				D543,812 S	6/2007	Burry et al.	
				D543,828 S	6/2007	Strutin-Belinoff et al.	
				D544,383 S	6/2007	Tarver, III	
				D544,770 S *	6/2007	Yang	D8/52
				D547,624 S	7/2007	Strahorn	

D550,058 S 9/2007 Aglassinger
D552,213 S * 10/2007 Schmon D23/226
D553,907 S * 10/2007 Catalano D7/401.2
D556,536 S * 12/2007 Aglassinger D8/107
D560,127 S 1/2008 Elam
D562,398 S 2/2008 Qiu et al.
D568,715 S 5/2008 Gustafson et al.
D570,664 S 6/2008 Tang
D571,679 S 6/2008 McEwan et al.
D572,553 S 7/2008 Demers et al.
D572,558 S 7/2008 Demers et al.
D572,559 S 7/2008 Demers et al.
D572,560 S 7/2008 Demers et al.
D572,561 S 7/2008 Demers et al.
D572,563 S 7/2008 McRoberts et al.
D572,564 S * 7/2008 Tilk D8/107
D572,613 S 7/2008 Levick et al.
D572,614 S 7/2008 McEwan et al.
D576,853 S 9/2008 Aglassinger
D578,852 S 10/2008 Enriquez
D584,116 S * 1/2009 Jackson D7/696
D584,592 S 1/2009 Irby
D585,261 S 1/2009 Shih
D589,321 S 3/2009 Demers et al.
D589,322 S * 3/2009 Demers D8/107
D590,225 S 4/2009 Sell
D591,570 S 5/2009 Lee et al.
D592,731 S * 5/2009 Hung D23/223
D594,304 S 6/2009 Aglassinger
D597,811 S 8/2009 Yu
D600,996 S 9/2009 Sterling
7,594,548 B1 9/2009 Puzio et al.
D604,186 S 11/2009 Schrage
D604,579 S 11/2009 Robinson et al.
D604,580 S 11/2009 Robinson et al.
D604,583 S 11/2009 Yamamoto et al.
D605,012 S 12/2009 Robinson et al.
D608,616 S 1/2010 Demers et al.
D609,549 S 2/2010 Demers et al.
D615,381 S * 5/2010 Demers D8/107
D617,623 S * 6/2010 Demers D8/80
7,730,589 B2 6/2010 Dineen
D620,777 S * 8/2010 Demers D8/107
7,766,097 B2 8/2010 Kondo
7,770,262 B2 8/2010 Schultz et al.
D627,619 S 11/2010 Demers et al.
D639,132 S * 6/2011 Demers D8/107
D642,889 S * 8/2011 Boehm D8/107
D644,906 S 9/2011 Demers et al.
D644,909 S 9/2011 Demers et al.
8,066,205 B2 * 11/2011 Bass B05B 7/066
239/526
D652,702 S * 1/2012 Demers D8/52
D655,994 S 3/2012 Schoch
D671,387 S * 11/2012 Demers D8/107
8,330,029 B2 12/2012 Dunlop
D673,436 S 1/2013 Murray et al.
D673,437 S 1/2013 Schoch
8,418,321 B1 4/2013 Heiman
D683,427 S * 5/2013 Moore D23/226
D696,596 S * 12/2013 Demers D10/72
8,615,888 B2 * 12/2013 Catalano B25G 1/102
30/151
D735,553 S * 8/2015 Demers D8/107
D745,636 S * 12/2015 Lin D23/226
D782,008 S * 3/2017 Naslund et al. D23/226
D788,564 S * 6/2017 Demers D8/107
D796,004 S * 8/2017 Yang D23/225
D812,718 S * 3/2018 Kosaka D23/226
D815,490 S * 4/2018 Constantine D7/401.2
D826,025 S * 8/2018 Harrington D8/107
D837,025 S * 1/2019 Demers D8/107
D839,708 S * 2/2019 Croghan D8/68
D859,115 S * 9/2019 Cooper D8/68
D861,455 S * 10/2019 Chang D8/107
D862,189 S * 10/2019 Taylor D8/69
2003/0094294 A1 5/2003 Fritz
2003/0172498 A1 9/2003 Polzin et al.
2004/0246735 A1 12/2004 Huang

2005/0001070 A1* 1/2005 Wu B05B 1/3013
239/526
2005/0178858 A1* 8/2005 Roman B05B 1/1654
239/526
2006/0090265 A1 5/2006 Fisher et al.
2006/0175069 A1 8/2006 Sakakibara et al.
2012/0012671 A1* 1/2012 Brose B05B 7/12
239/71
2014/0048627 A1* 2/2014 Schmon B05B 9/01
239/526
2015/0165463 A1* 6/2015 Gehrung B05B 15/50
239/600

FOREIGN PATENT DOCUMENTS

EM	000702089-0002	4/2007
JP	D 1253453	2/2005
TW	144783 B	10/1990
TW	232614 B	10/1994
TW	251211 B	7/1995
TW	309829 B	7/1997
TW	390769 B	5/2000
TW	391820 B	5/2000
TW	403527 B	8/2000
TW	405983 B	9/2000
TW	433951 B	5/2001
TW	440312 B	6/2001
TW	440384 B	6/2001
TW	443904 B	6/2001
TW	453826 B	9/2001
TW	478775 B	3/2002
TW	539445 B	6/2003
TW	542548 B	7/2003

OTHER PUBLICATIONS

Tiwanese Search Report for Design Application No. 096301934 dated Nov. 28, 2008.

* cited by examiner

Primary Examiner — Paula Allen Greene
(74) Attorney, Agent, or Firm — Moore & Van Allen
PLLC; W. Kevin Ransom

(57) CLAIM

The ornamental design for a tool handle, as shown and described.

DESCRIPTION

FIG. 1 is a perspective view of a tool handle according to the present invention;
FIG. 2 is a plan view of the top side of the tool handle of FIG. 1;
FIG. 3 is a plan view of the bottom side of the tool handle of FIG. 1;
FIG. 4 is an elevational view of the front side of the tool handle of FIG. 1;
FIG. 5 is an elevational view of the rear side of the tool handle of FIG. 1;
FIG. 6 is an elevational view of the left side of the tool handle of FIG. 1; and,
FIG. 7 is an elevational view of the right side of the tool handle of FIG. 1.
The broken lines shown in the drawings illustrate unclaimed portions of the tool handle and environmental structure, and form no part of the claimed design.

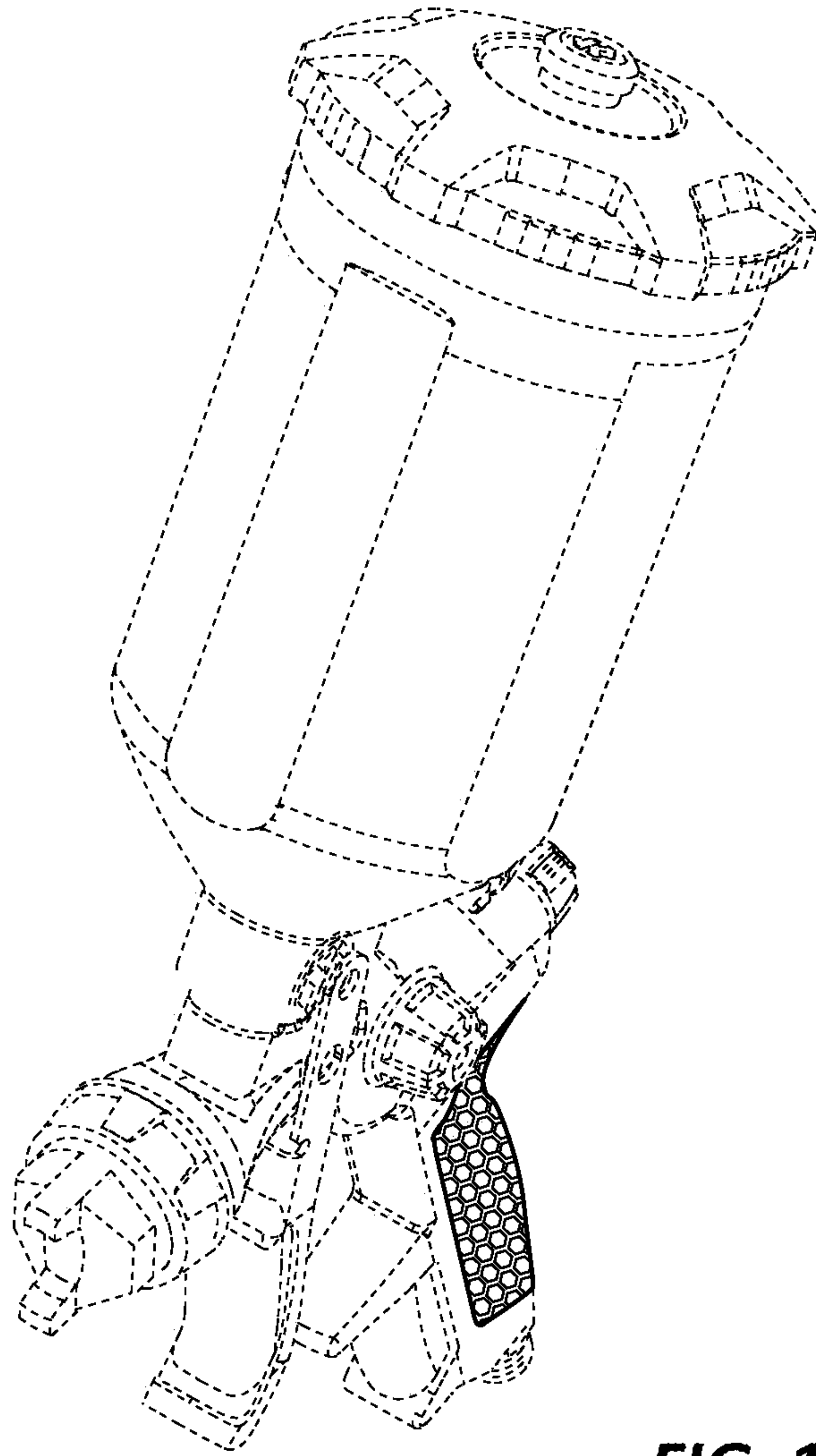


FIG. 1

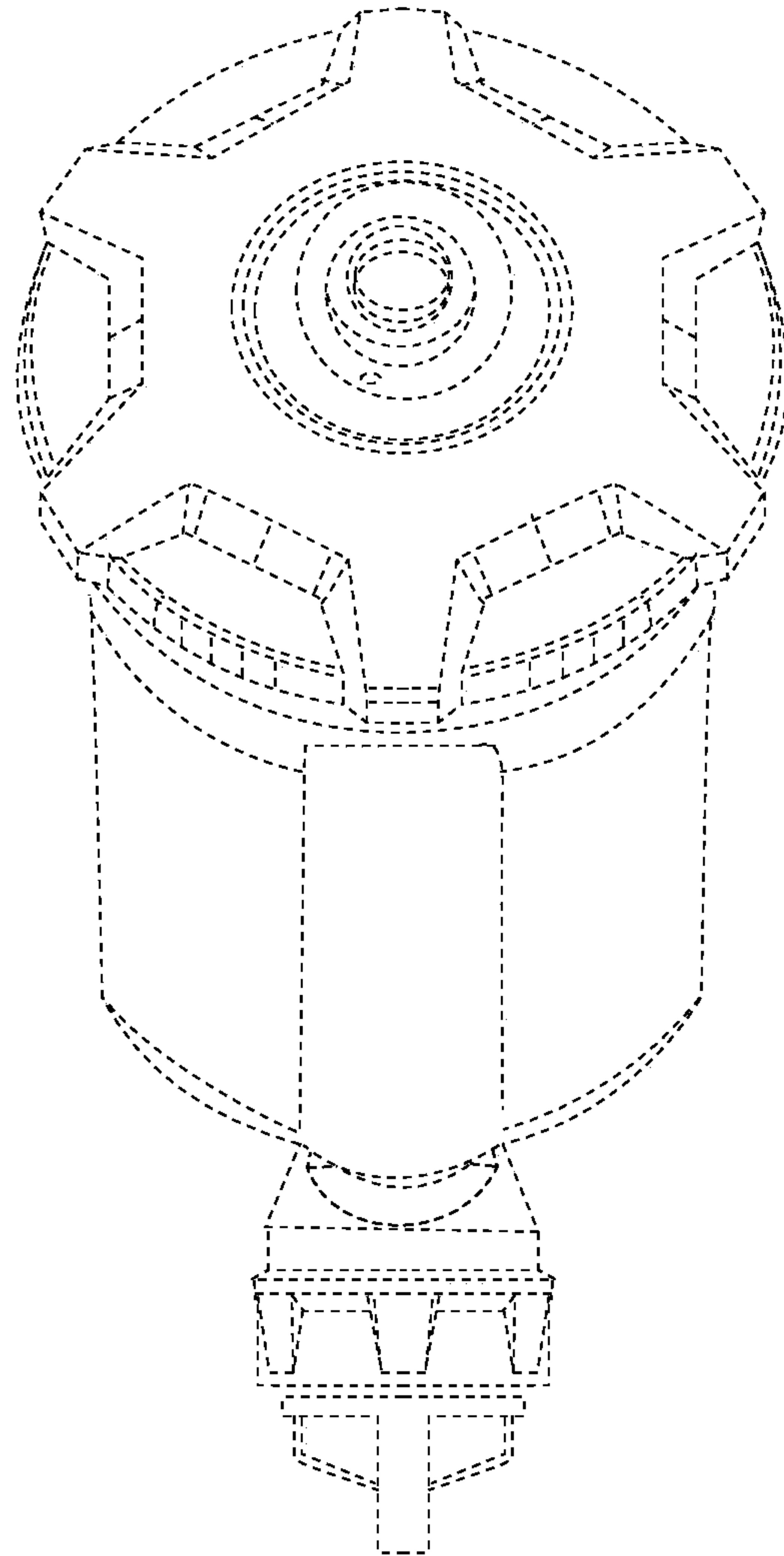


FIG. 2

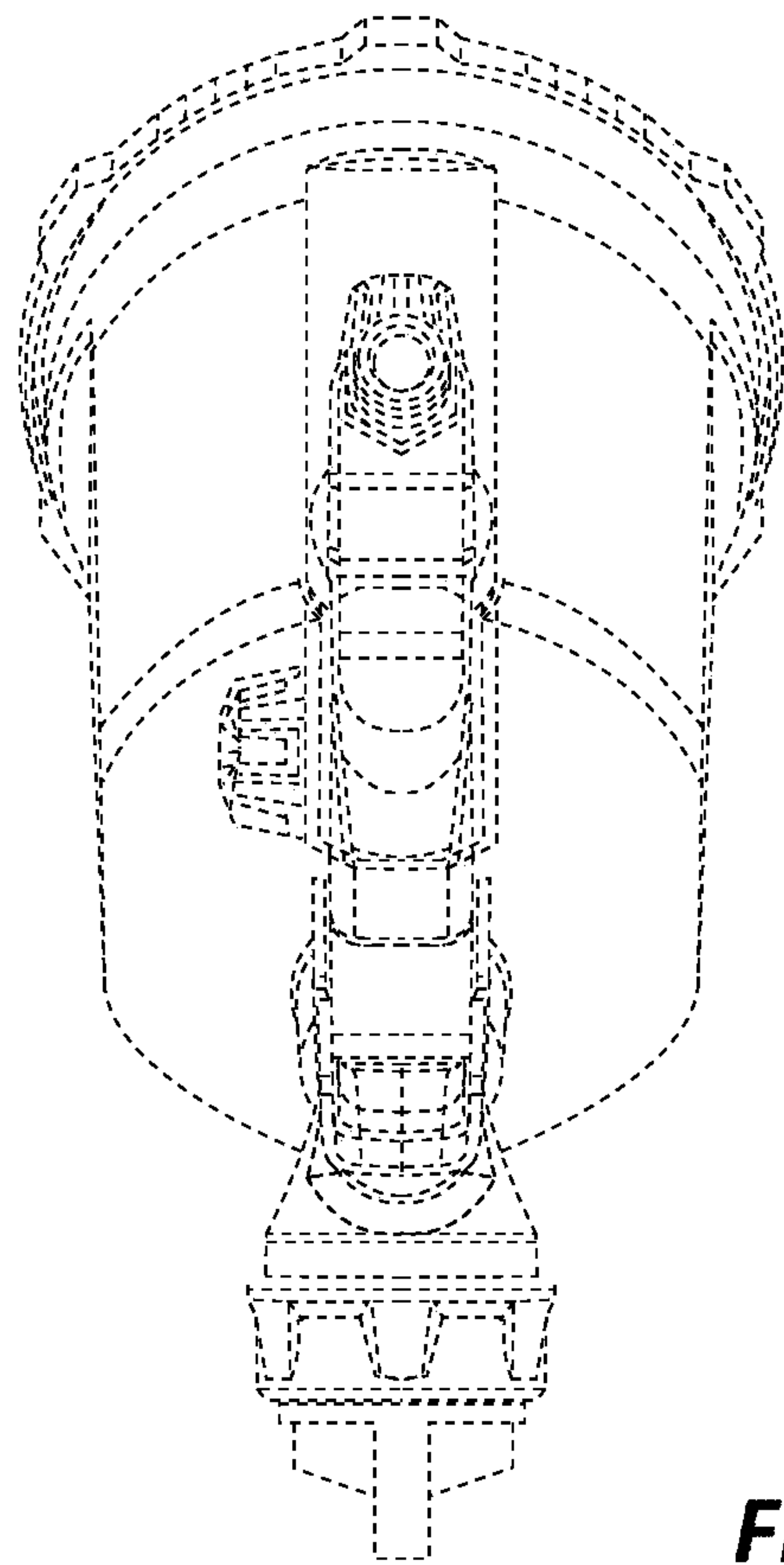


FIG. 3

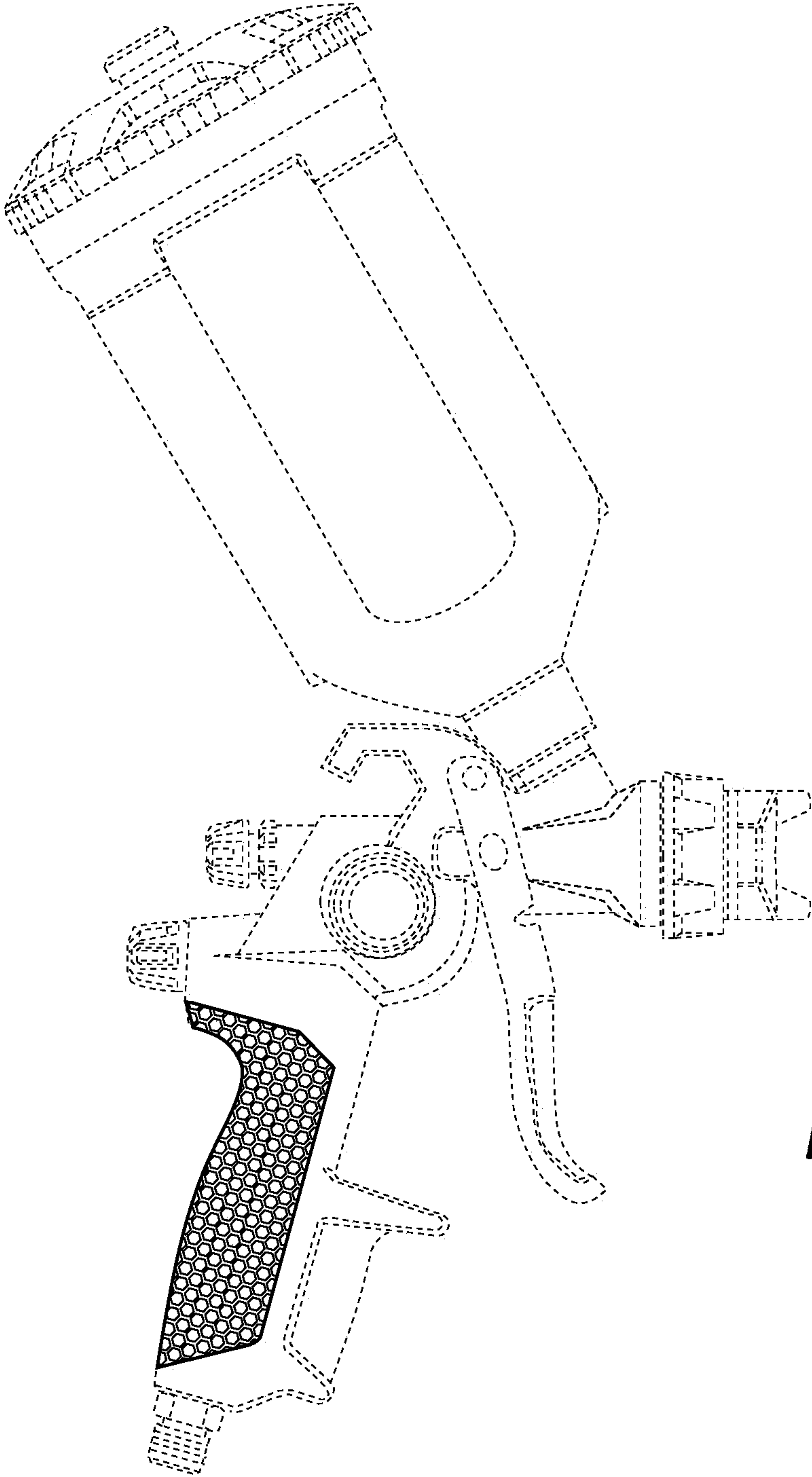


FIG. 4

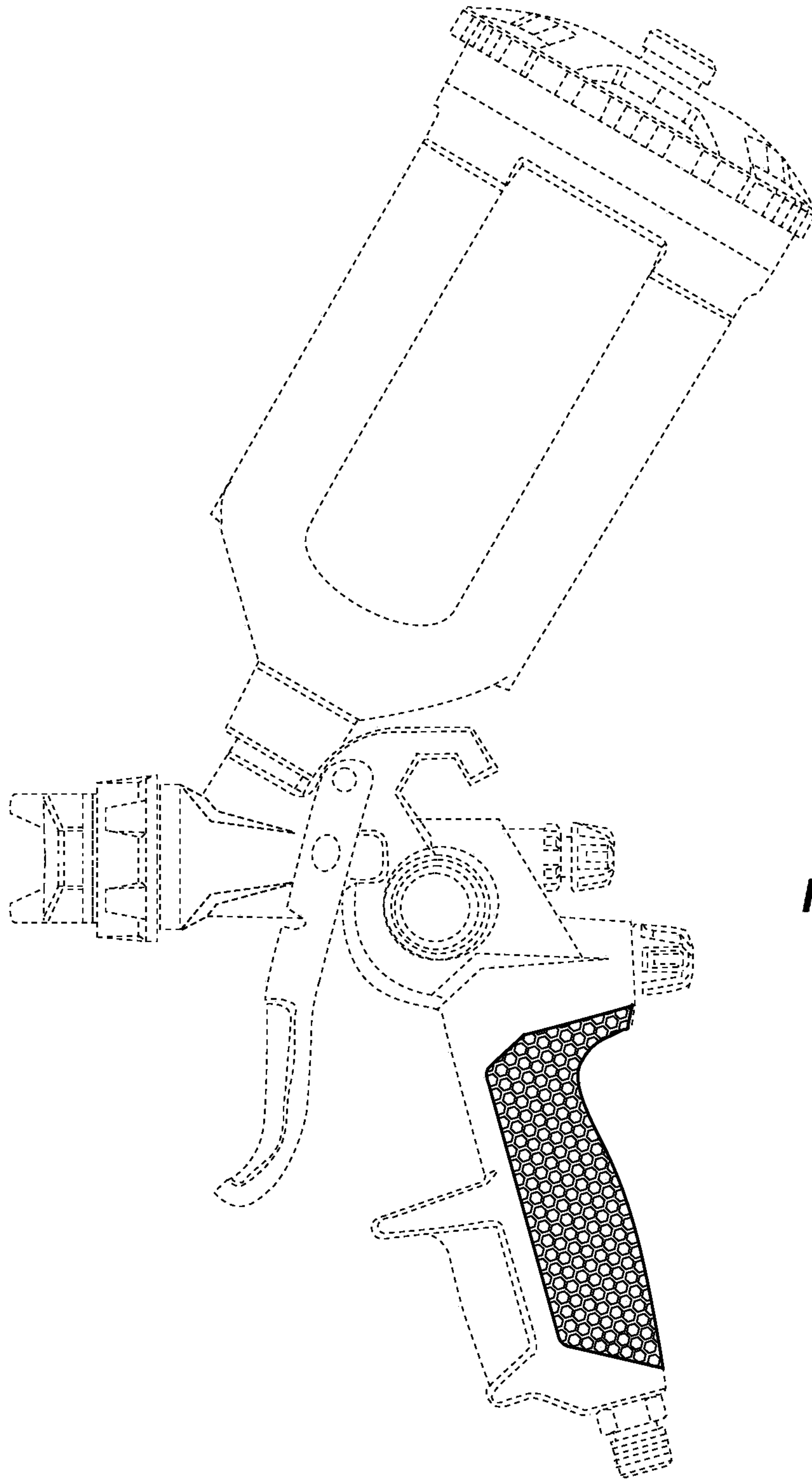


FIG. 5

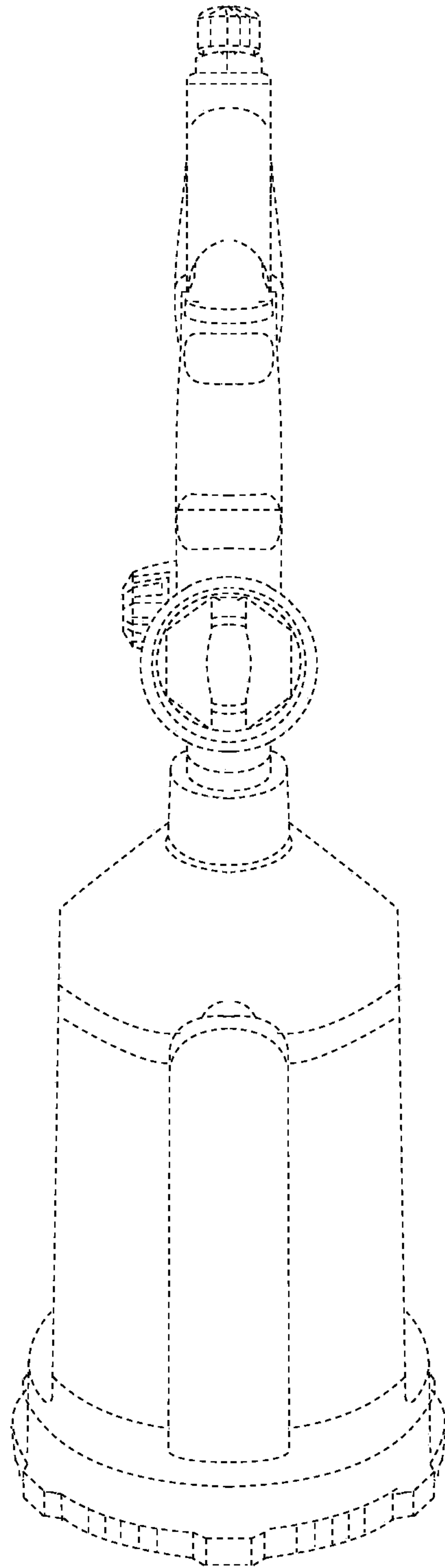


FIG. 6

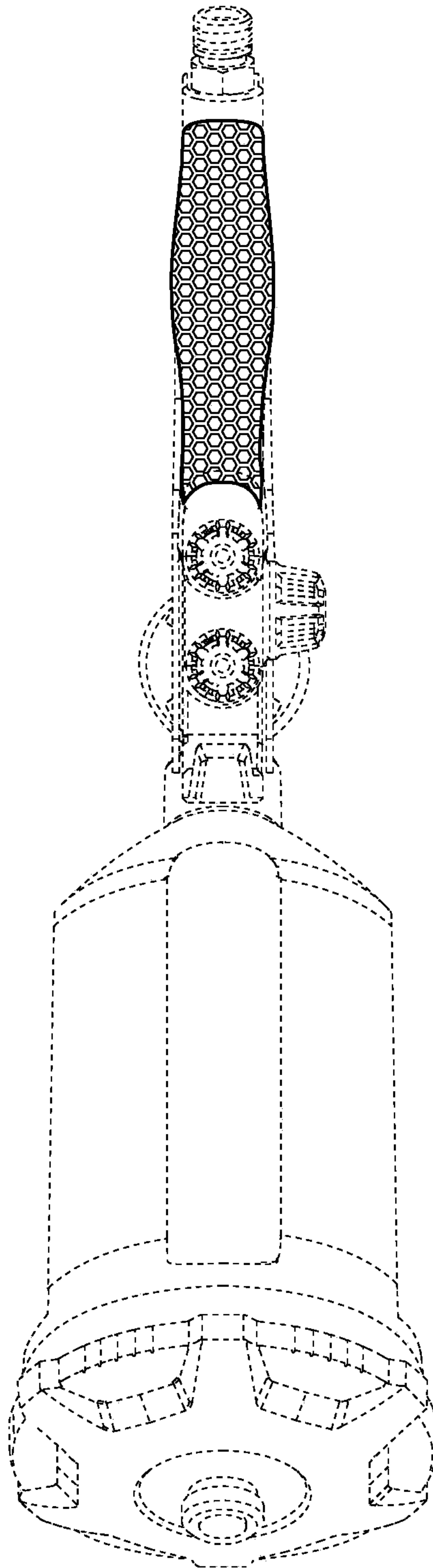


FIG. 7