



US00D889922S

(12) **United States Design Patent** (10) **Patent No.:** **US D889,922 S**
Kuo et al. (45) **Date of Patent:** **** Jul. 14, 2020**

(54) **BOTTLE OPENER** 5,509,380 A * 4/1996 Tipp B67B 7/403
81/3.55
(71) Applicant: **Goldtek Technology Co., Ltd.**, New Taipei (TW) D387,645 S * 12/1997 Kazimir D8/33
5,961,477 A * 10/1999 Turtzo A61F 5/0111
602/12
(72) Inventors: **Wei-Ching Kuo**, Taichung (TW); D438,768 S * 3/2001 Chiu D8/40
Lih-Sin Lee, Taipei (TW) D447,675 S * 9/2001 Vaught D3/211
D455,059 S * 4/2002 Stirling D8/40
D471,346 S * 3/2003 Bray, Jr. D2/919
(73) Assignee: **Goldtek Technology Co., Ltd.**, New Taipei (TW) D514,778 S * 2/2006 Berg D2/916
D553,458 S * 10/2007 Hood D8/40
D568,590 S * 5/2008 Brea D2/897
D584,034 S * 1/2009 Sawhney D2/916
D612,588 S * 3/2010 Feller D2/946
D628,367 S * 12/2010 Fahlgren D2/916
D724,914 S * 3/2015 Tipp D8/40
D756,184 S * 5/2016 Salazar D8/40
(**) Term: **15 Years**
(21) Appl. No.: **29/676,907**
(22) Filed: **Jan. 15, 2019**

(30) **Foreign Application Priority Data**
Dec. 25, 2018 (TW) 107307558
(51) **LOC (12) Cl.** **07-99**
(52) **U.S. Cl.**
USPC **D8/40**
(58) **Field of Classification Search**
USPC D8/18, 33-43; D3/207, 208, 211;
D2/919, 939, 943
CPC B67B 7/00; B67B 7/12; B67B 7/14; B67B
7/16; B67B 7/164; B67B 7/18; B67B
7/182; B67B 7/20; B67B 7/30; B67B
7/38; B67B 7/44
See application file for complete search history.

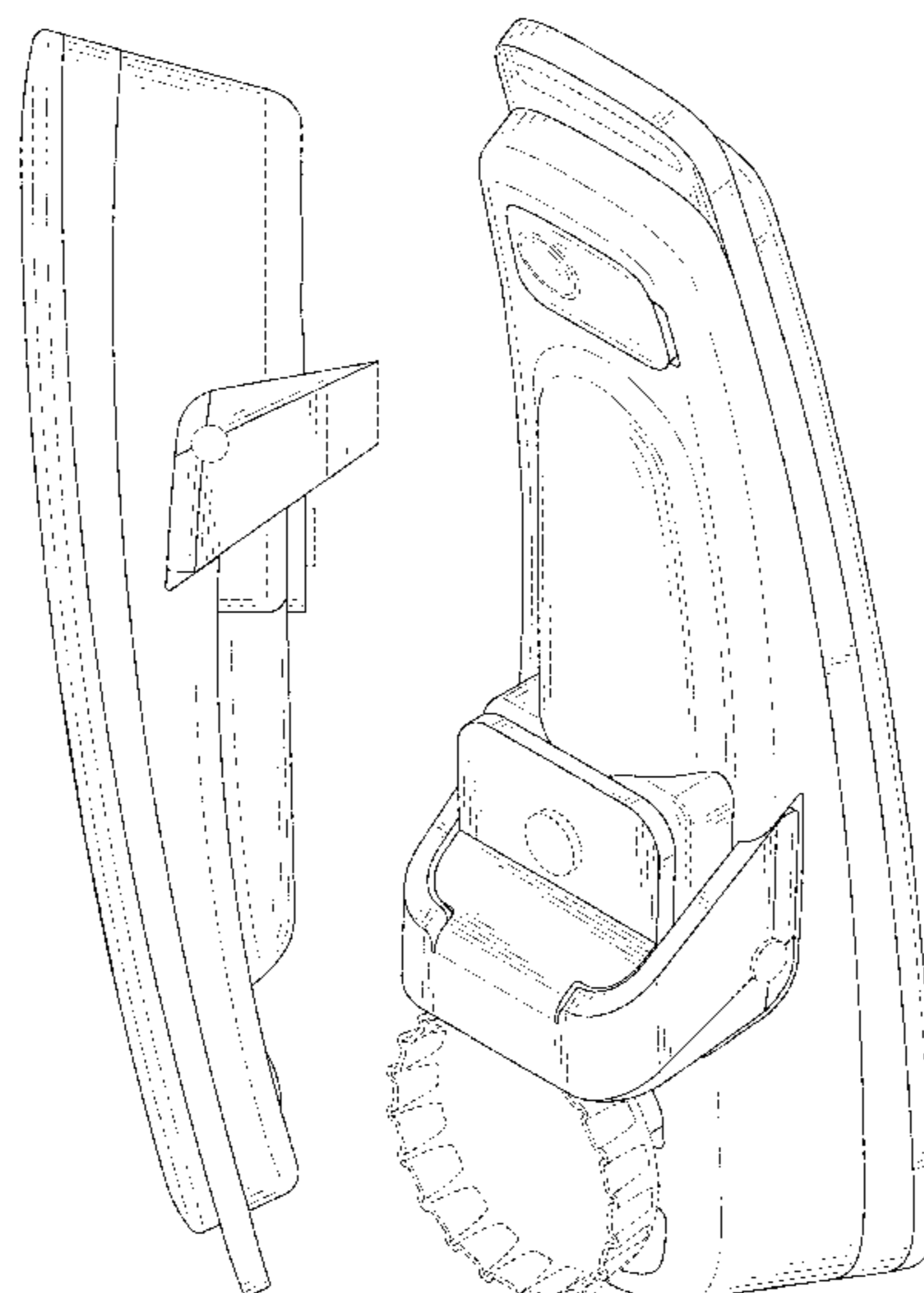
(56) **References Cited**
U.S. PATENT DOCUMENTS
D62,905 S * 8/1923 Hamilton D2/916
D277,899 S * 3/1985 Hutchinson D2/914
D293,199 S * 12/1987 Grenley D8/18
4,846,024 A * 7/1989 Bryant B67B 7/44
81/3.09
4,958,445 A * 9/1990 Brisco A43B 5/0419
36/117.4
D363,863 S * 11/1995 Tipp D8/18

(Continued)
Primary Examiner — Elizabeth A. Albert
(74) Attorney, Agent, or Firm — ScienBiziP, P.C.

(57) **CLAIM**
The ornamental design for a bottle opener, as shown and described.

DESCRIPTION
FIG. 1 is a rear perspective view of a bottle opener showing my design;
FIG. 2 is a front perspective view thereof;
FIG. 3 is a front elevational view thereof;
FIG. 4 is a rear elevational view thereof;
FIG. 5 is a left side elevational view thereof;
FIG. 6 is a right side elevational view thereof;
FIG. 7 is a top plan view thereof;
FIG. 8 is a bottom plan view thereof; and,
FIG. 9 is another front perspective view thereof.
The broken lines in the drawings are employed to show unclaimed portions of the bottle opener, and form no part of the claimed design.

1 Claim, 9 Drawing Sheets



(56)

References Cited

U.S. PATENT DOCUMENTS

D807,133 S * 1/2018 Tunney D8/40
D830,928 S * 10/2018 Sethapun D12/192
D831,453 S * 10/2018 Yevchak D8/40
D838,570 S * 1/2019 Jang D8/89

* cited by examiner

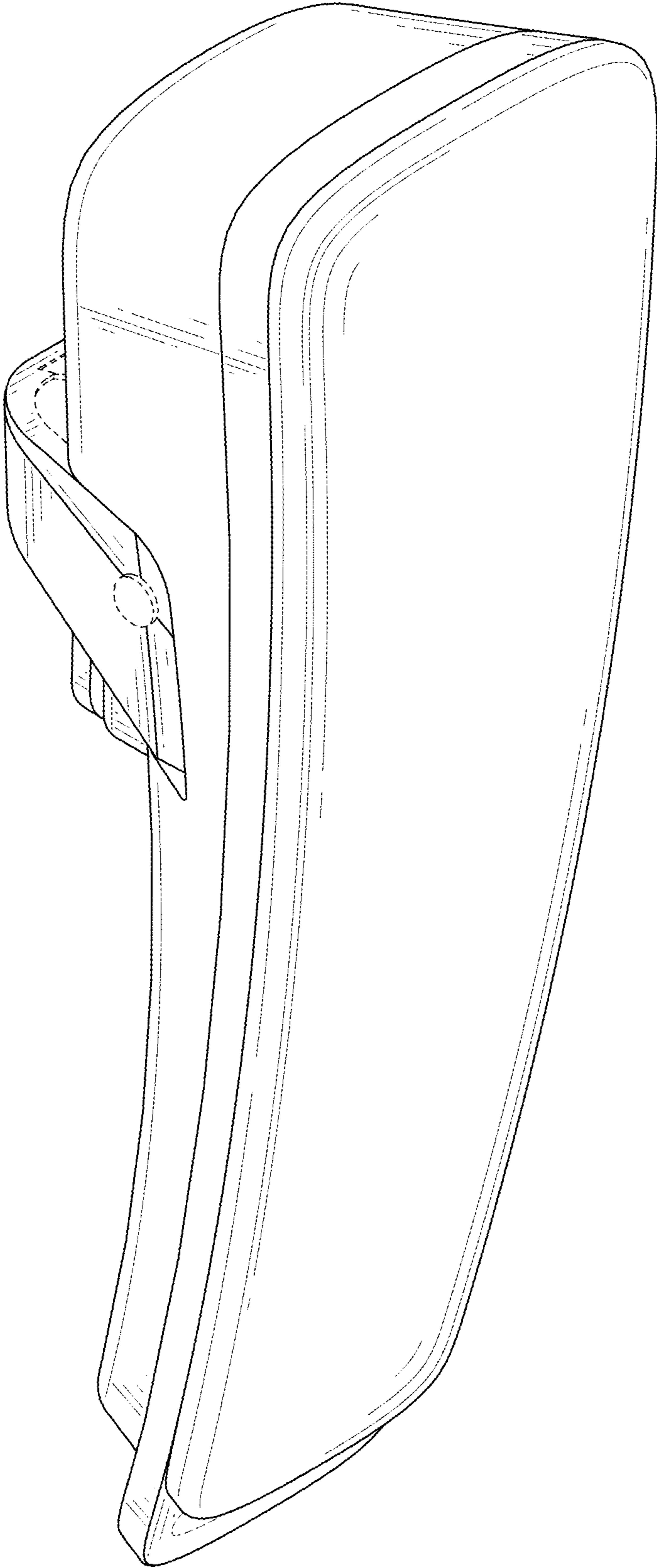


FIG. 1

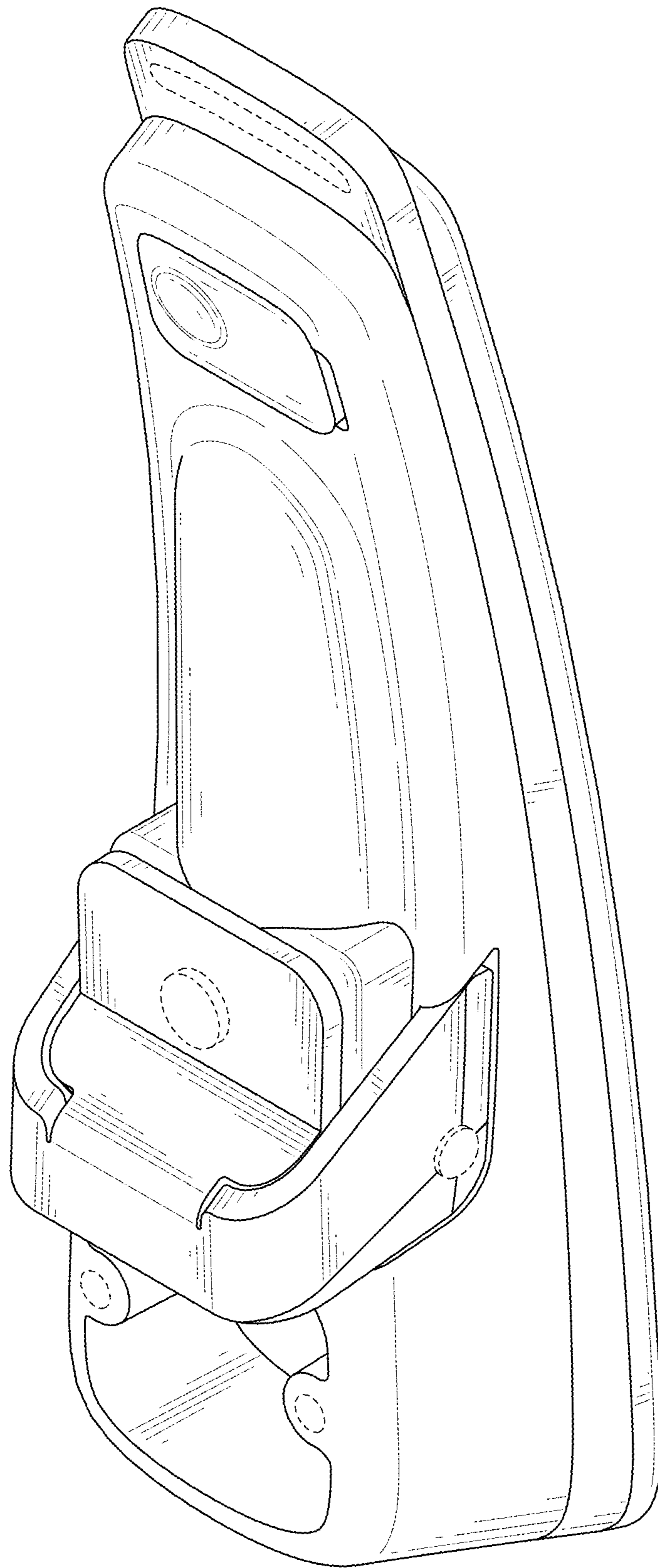


FIG. 2

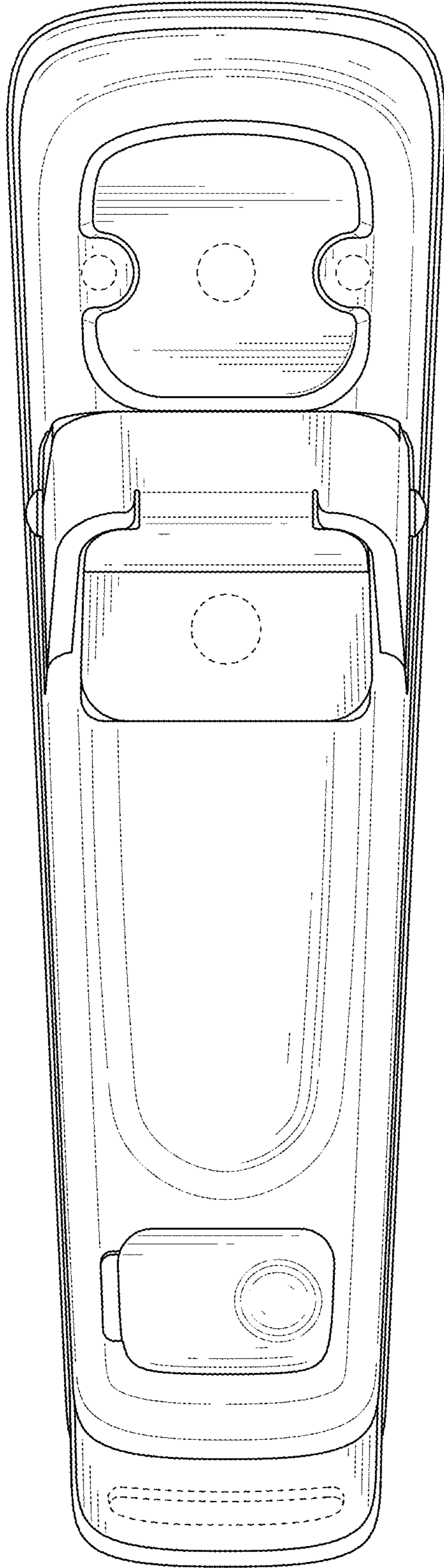


FIG. 3

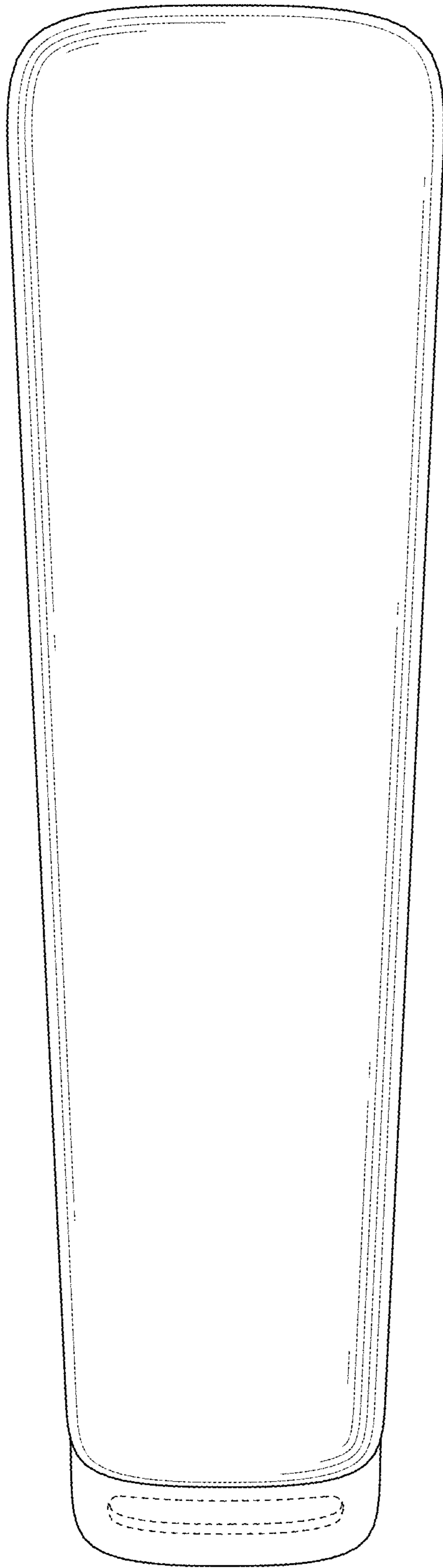


FIG. 4

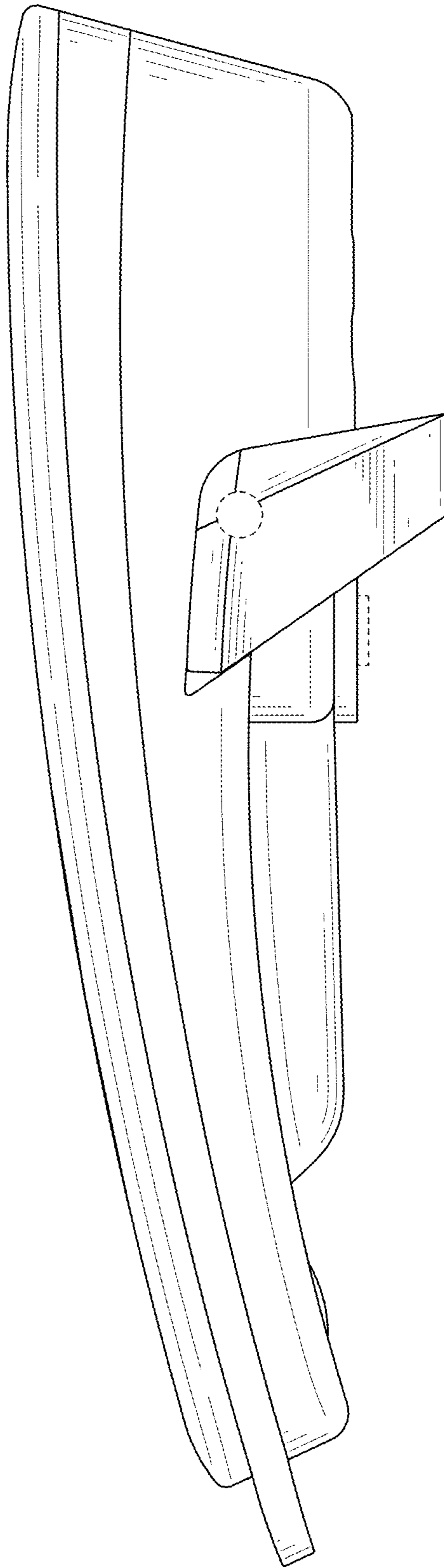


FIG. 5

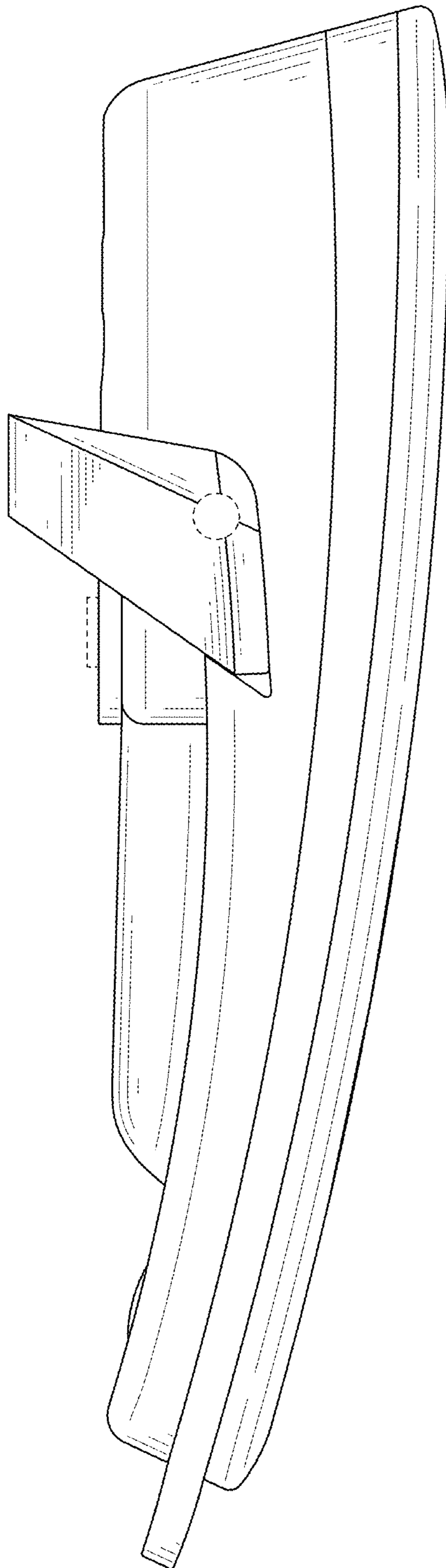


FIG. 6

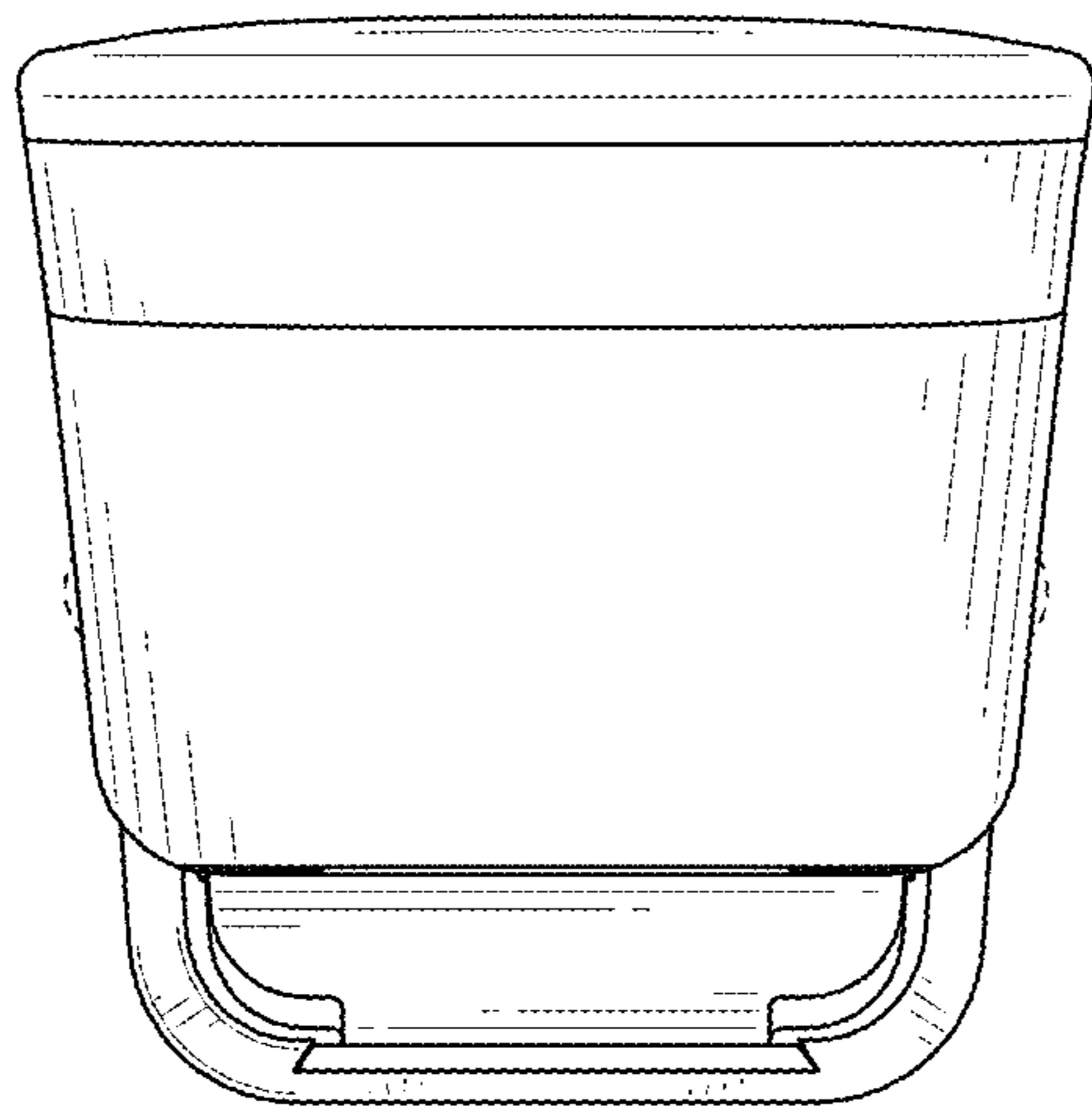


FIG. 7

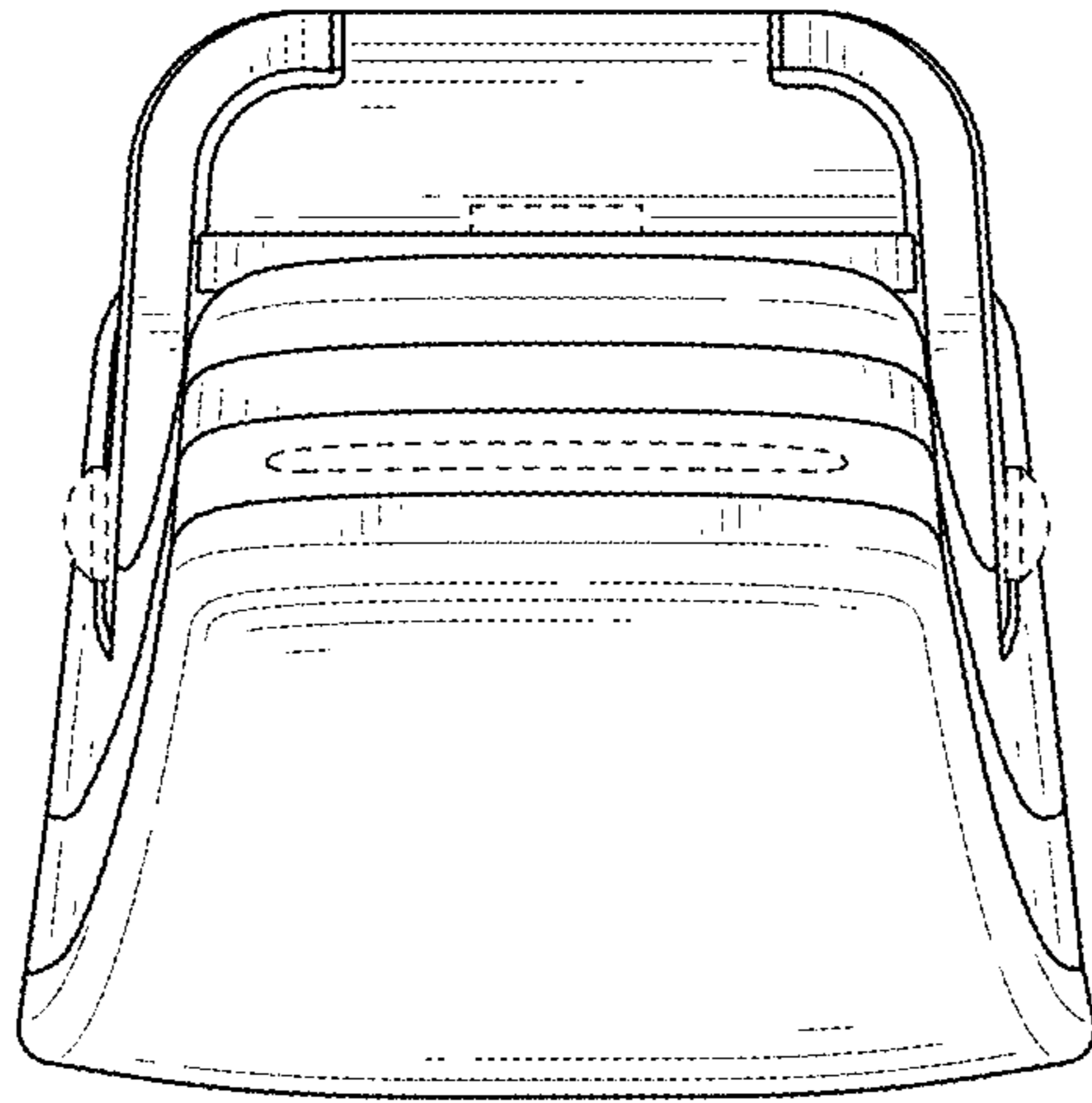


FIG. 8

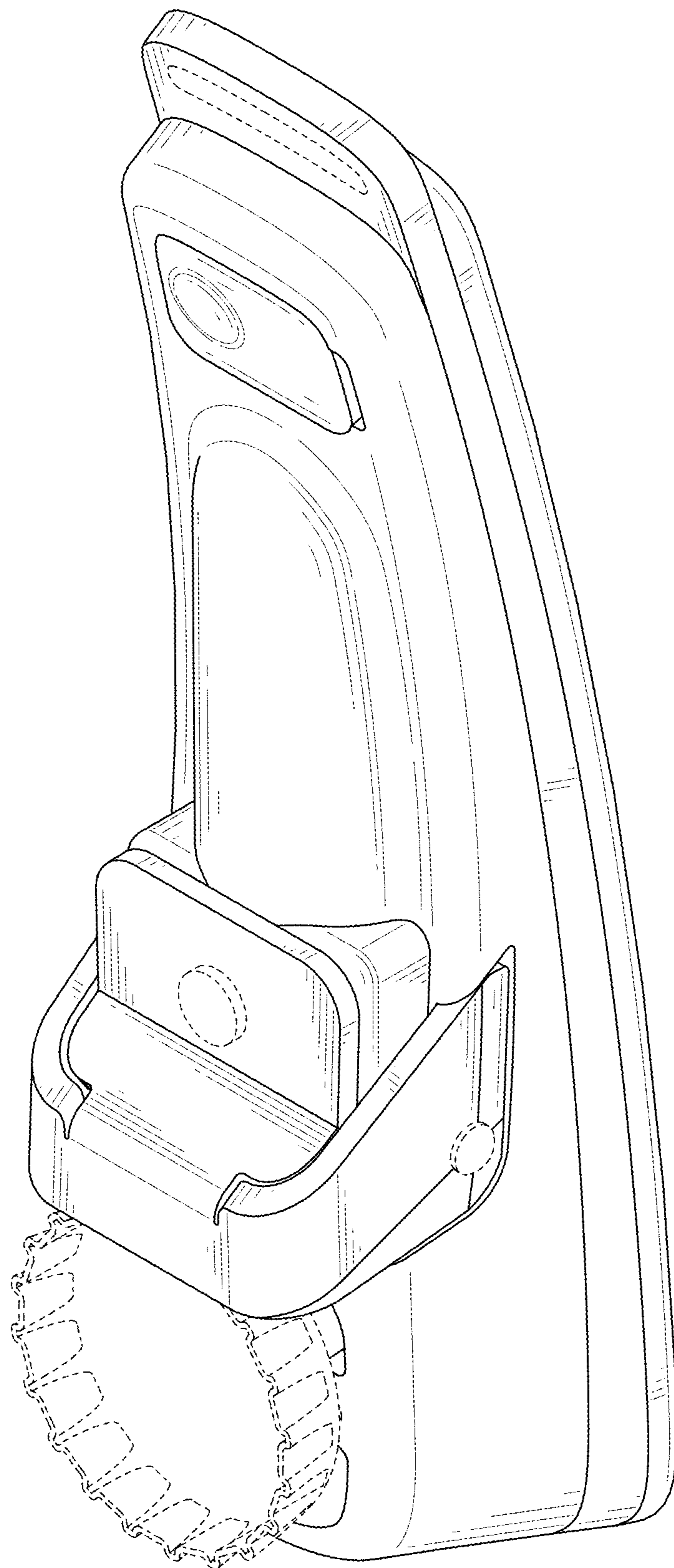


FIG. 9