



US00D889918S

(12) **United States Design Patent**
Hubert

(10) **Patent No.:** **US D889,918 S**

(45) **Date of Patent:** **** Jul. 14, 2020**

(54) **SPOON SPATULA**

(71) Applicant: **Christopher Hubert**, Lakewood, WA (US)

(72) Inventor: **Christopher Hubert**, Lakewood, WA (US)

(73) Assignee: **Christopher D. Hubert**, Lakewood, WA (US)

(**) Term: **15 Years**

(21) Appl. No.: **29/677,169**

(22) Filed: **Jan. 17, 2019**

(51) **LOC (12) Cl.** **07-02**

(52) **U.S. Cl.**
USPC **D7/691**

(58) **Field of Classification Search**
USPC D7/680-696, 368, 669, 393, 395,
D7/642-664; D10/46.2, 46.3
CPC A47F 13/08; B65D 61/246; A47J 43/28;
A47J 43/281; A47J 43/24; A47J 19/00;
A47J 47/20; A61J 7/0023; A47G 21/04;
A47G 21/02; A47G 21/14; G01F 19/002;
G01F 19/00; A01B 1/02; A45D 40/26
See application file for complete search history.

(56) **References Cited**

U.S. PATENT DOCUMENTS

D473,762 S * 4/2003 Kerr D7/688
D587,537 S * 3/2009 Vendl D7/688

D606,372 S * 12/2009 Gorskey D7/688
D618,070 S * 6/2010 Jalet D7/691
D631,306 S * 1/2011 Capaul D7/688
2010/0229319 A1 * 9/2010 Phillips A45D 40/26
15/236.09

* cited by examiner

Primary Examiner — Terry A Wallace

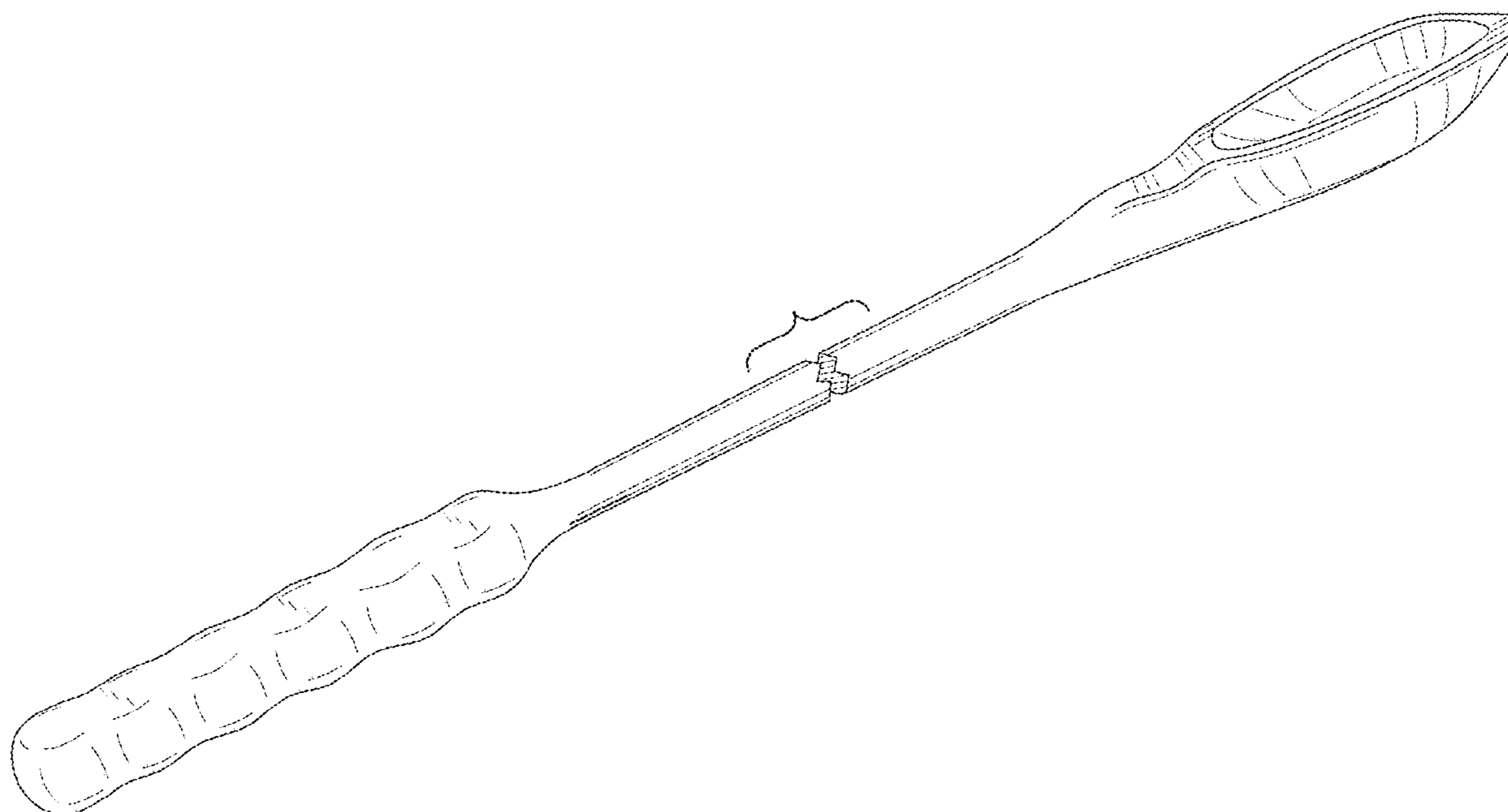
(57) **CLAIM**

The ornamental design for a spoon spatula, as shown and described.

DESCRIPTION

FIG. 1 is a perspective view of a first embodiment of a spoon spatula.
FIG. 2 is a right side view of the spoon spatula of FIG. 1.
FIG. 3 is a left side view of the spoon spatula of FIG. 1.
FIG. 4 is a top view of the spoon spatula of FIG. 1.
FIG. 5 is a bottom view of the spoon spatula of FIG. 1.
FIG. 6 is a front view of the spoon spatula of FIG. 1.
FIG. 7 is a back view of the spoon spatula of FIG. 1.
FIG. 8 is a perspective view of a second embodiment of a spoon spatula.
FIG. 9 is a right side view of the spoon spatula of FIG. 8.
FIG. 10 is a left side view of the spoon spatula of FIG. 8.
FIG. 11 is a top view of the spoon spatula of FIG. 8.
FIG. 12 is a bottom view of the spoon spatula of FIG. 8.
FIG. 13 is a front view of the spoon spatula of FIG. 8; and,
FIG. 14 is a back view of the spoon spatula of FIG. 8.
In the description of the drawings the appearance of any portion of the article between the break lines forms no part of the claimed design.

1 Claim, 8 Drawing Sheets



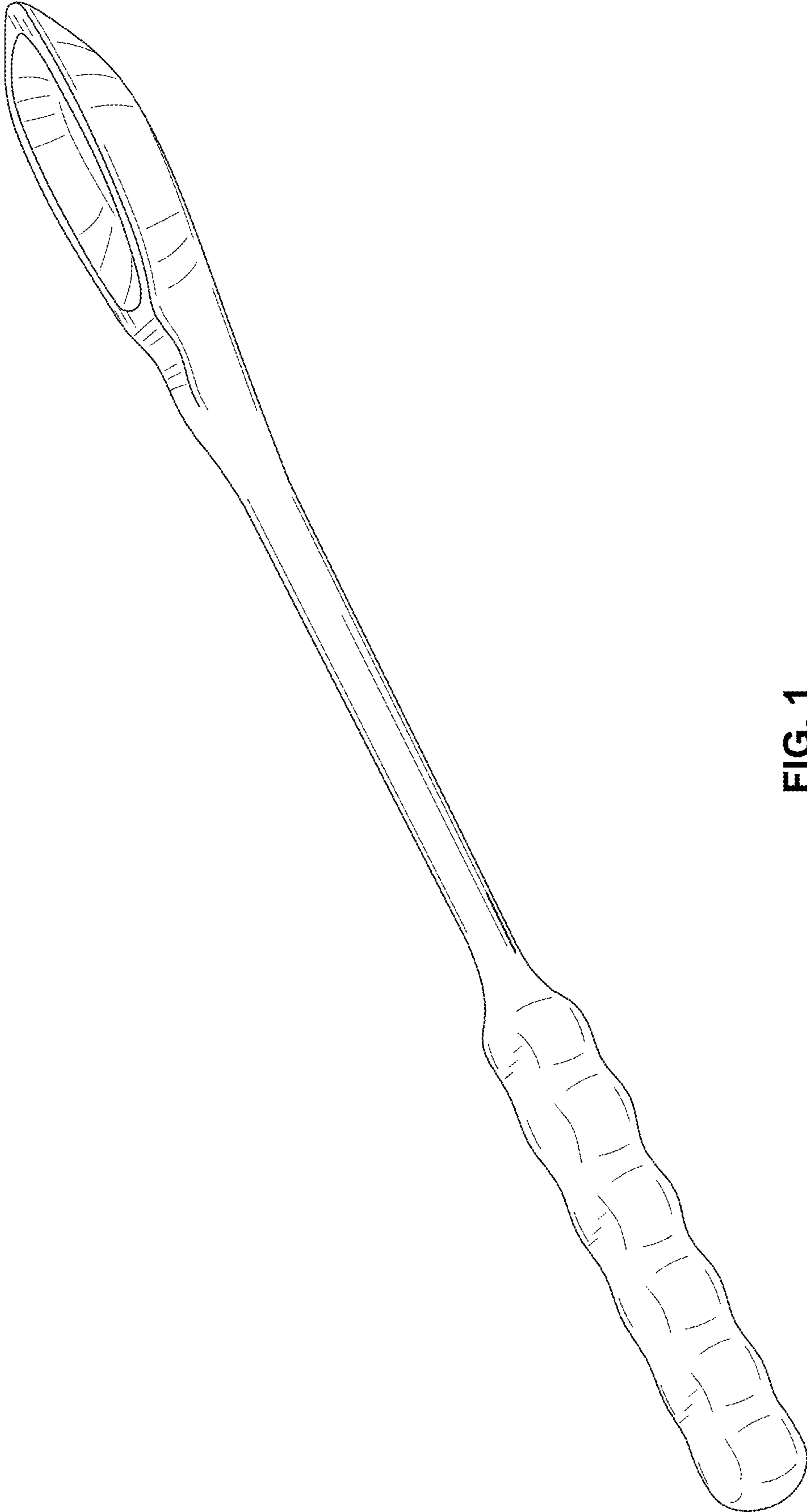


FIG. 1

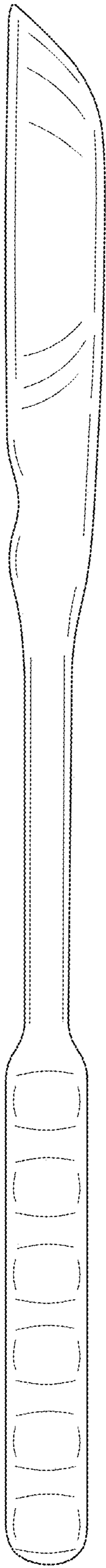


FIG. 2

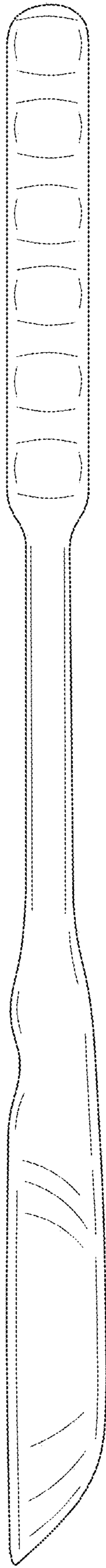


FIG. 3

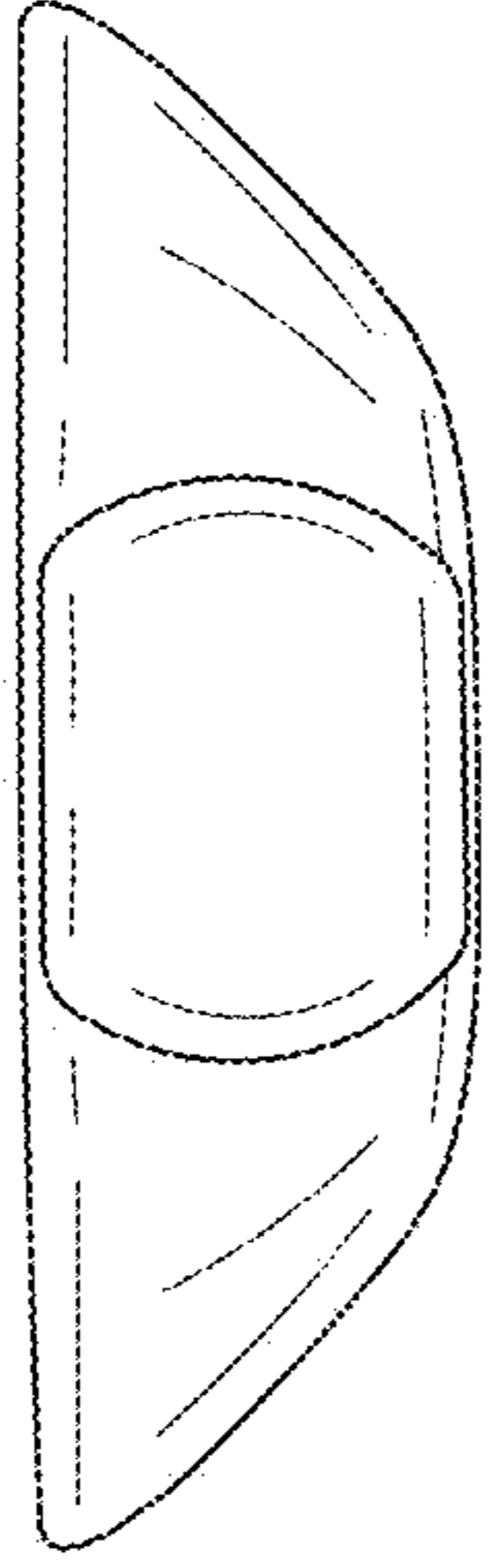


FIG. 5

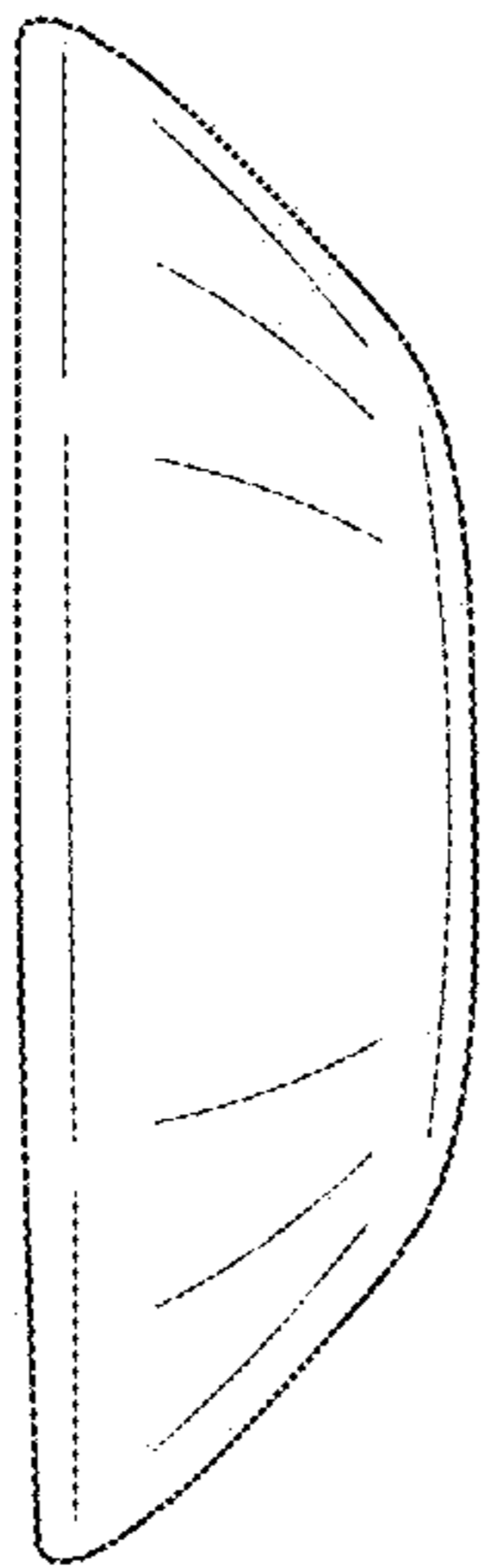


FIG. 4

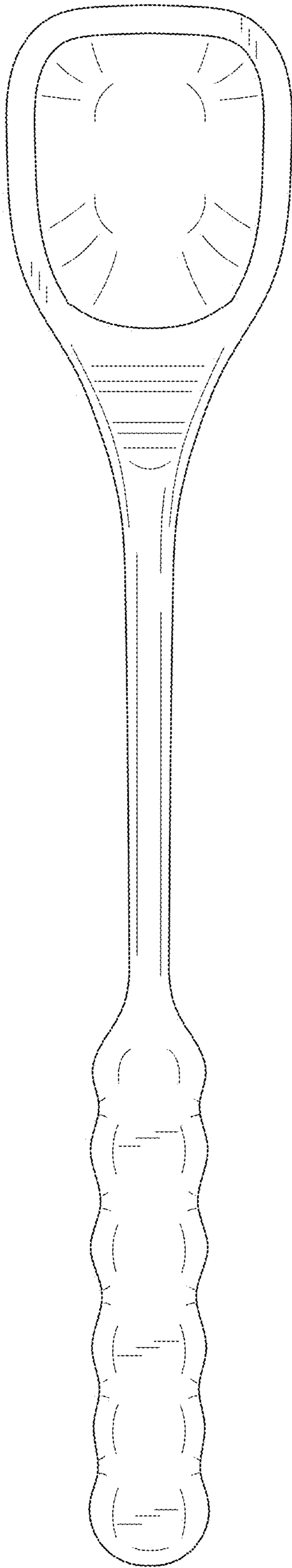


FIG. 6

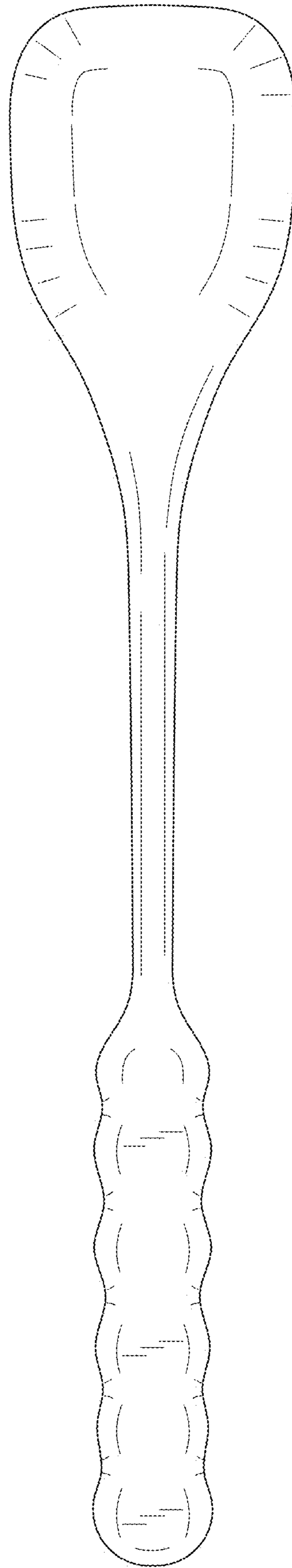


FIG. 7

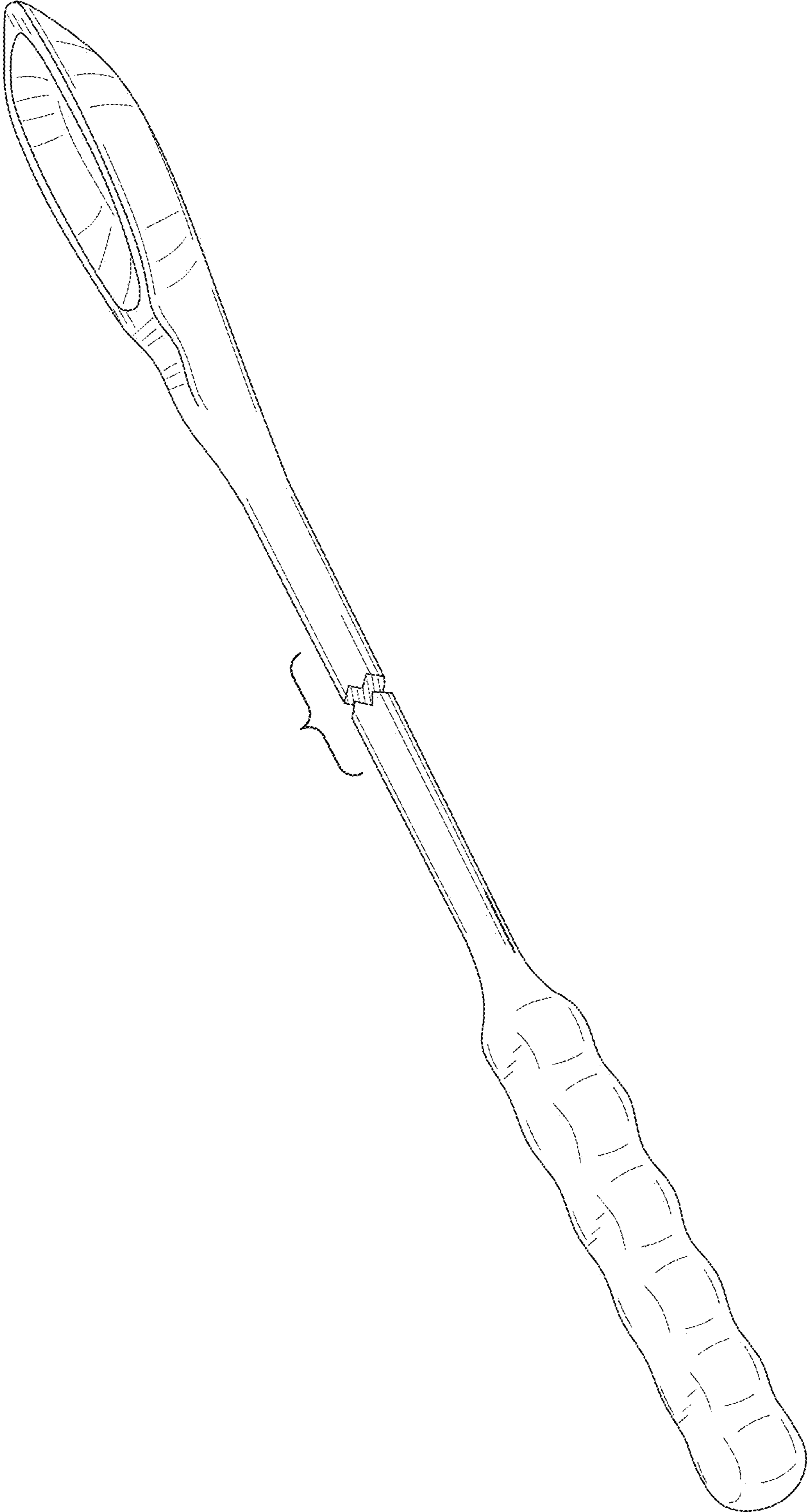


FIG. 8

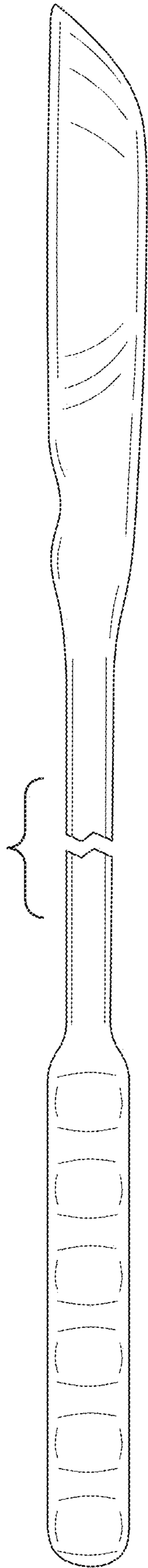


FIG. 9

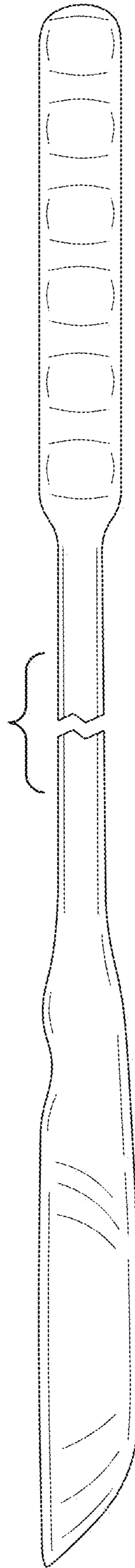


FIG. 10

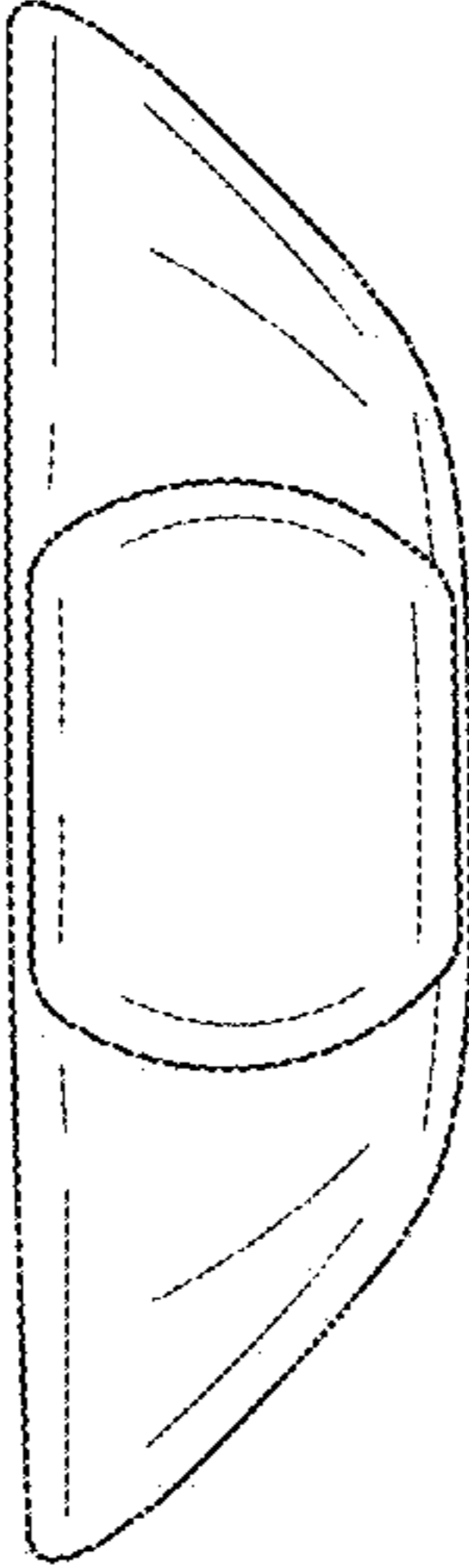


FIG. 12

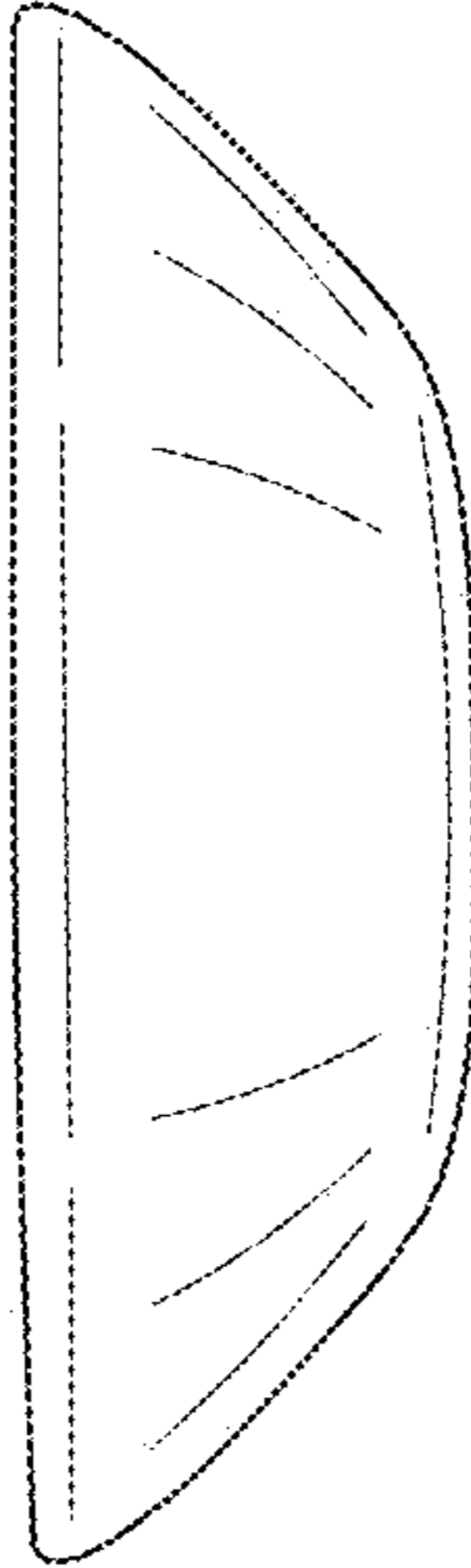


FIG. 11

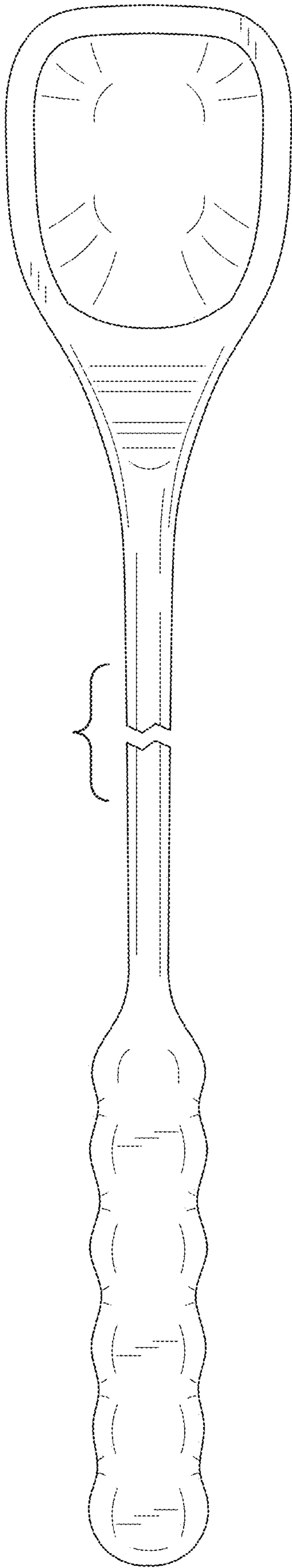


FIG. 13

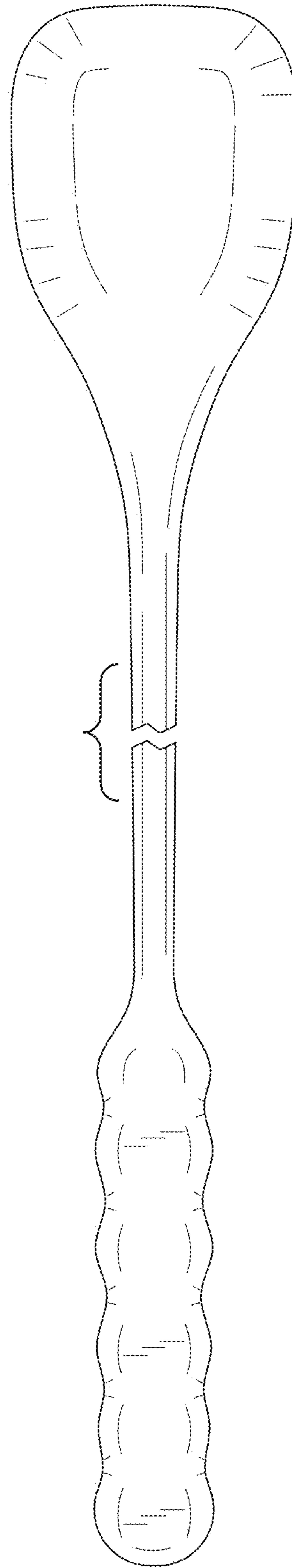


FIG. 14