



US00D889917S

(12) **United States Design Patent**
Chapman et al.

(10) **Patent No.:** **US D889,917 S**

(45) **Date of Patent:** **** Jul. 14, 2020**

- (54) **CHOP TURNER**
- (71) Applicants: **Dean Chapman**, Montclair, NJ (US);
John Winter, Morristown, NJ (US)
- (72) Inventors: **Dean Chapman**, Montclair, NJ (US);
John Winter, Morristown, NJ (US)
- (**) Term: **15 Years**
- (21) Appl. No.: **29/682,524**
- (22) Filed: **Mar. 6, 2019**
- (51) **LOC (12) Cl.** **07-02**
- (52) **U.S. Cl.**
USPC **D7/688**
- (58) **Field of Classification Search**
USPC D7/680-696, 368, 669, 393, 395
CPC A47J 43/288; A47J 43/28; A47J 43/284;
A47J 43/00; A47J 43/10; A47J 43/1006
See application file for complete search history.

(56) **References Cited**

U.S. PATENT DOCUMENTS

D4,001 S *	4/1870	Oblinger	D32/49
510,310 A *	12/1893	Avery	B26D 3/185
				30/303
1,095,092 A *	4/1914	Drake	B26D 3/185
				30/303
1,520,436 A *	12/1924	Peyton	B26B 23/00
				30/303
2,072,793 A *	3/1937	Brennan	A21C 11/14
				426/27
2,928,483 A *	3/1960	Trost	A01B 1/10
				172/378
D304,893 S *	12/1989	Scaggs	D7/692

5,014,921 A *	5/1991	Skerker	A47J 19/04
				241/169.2
5,732,616 A *	3/1998	Bryan	A47J 43/284
				30/303
D395,989 S *	7/1998	Proshan	D7/688
D487,556 S *	3/2004	Siegel	D7/688
D600,510 S *	9/2009	Courington	D7/688
D751,353 S *	3/2016	Rose	D7/688
2014/0061346 A1 *	3/2014	Rose	A47J 43/288
				241/101.8

* cited by examiner

Primary Examiner — Terry A Wallace

(74) Attorney, Agent, or Firm — Stuart M. Goldstein

(57) **CLAIM**

The ornamental design for the chop turner, as shown and described.

DESCRIPTION

FIG. 1 is the front view of the chop turner design of the present invention.

FIG. 2 is the elevation view of the chop turner design of the present invention.

FIG. 3 is the rear view of the chop turner design of the present invention.

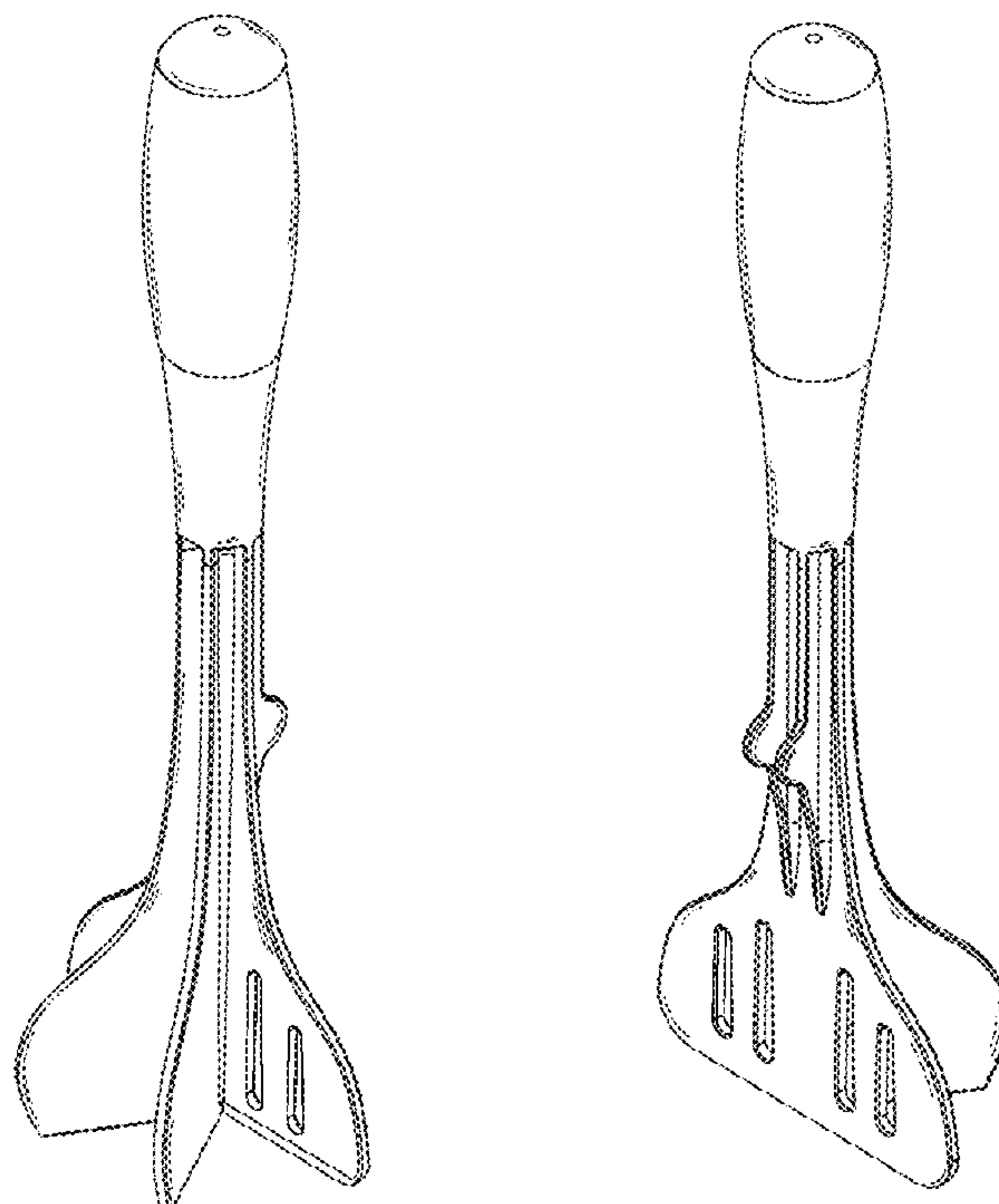
FIG. 4 is the bottom view of the chop turner design of the present invention.

FIG. 5 is the top view of the chop turner design of the present invention.

FIG. 6 is a perspective front view of the chop turner design of the present invention; and,

FIG. 7 is a perspective rear view of the chop turner design of the present invention.

1 Claim, 2 Drawing Sheets



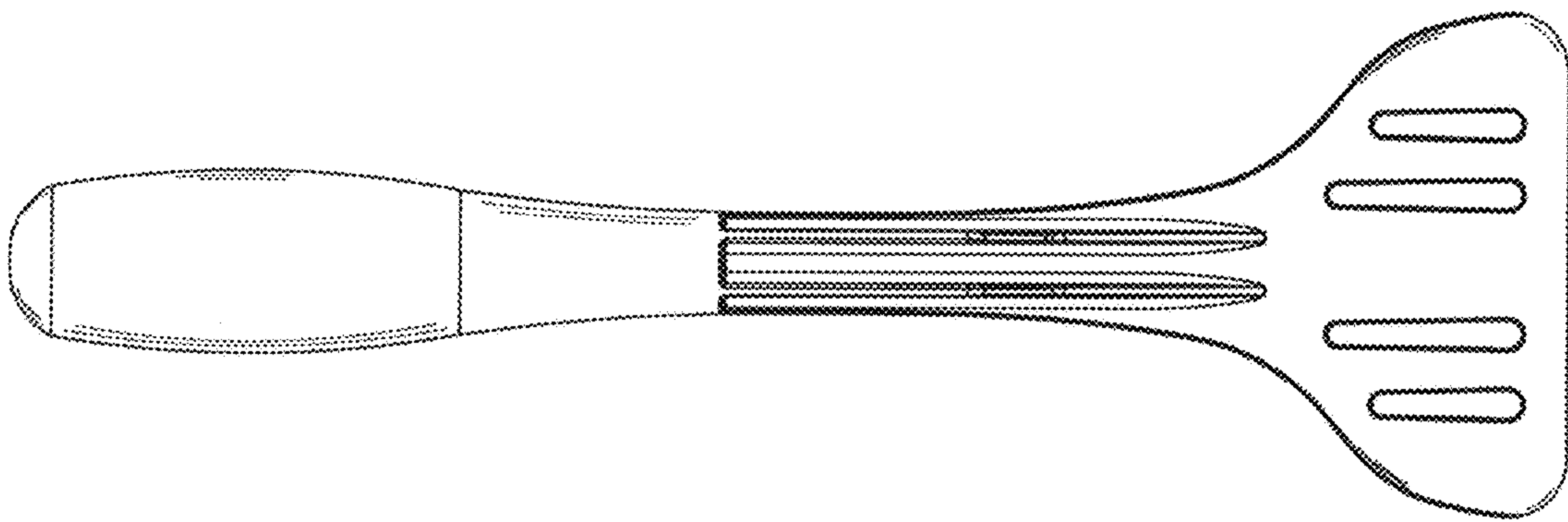


Fig. 1

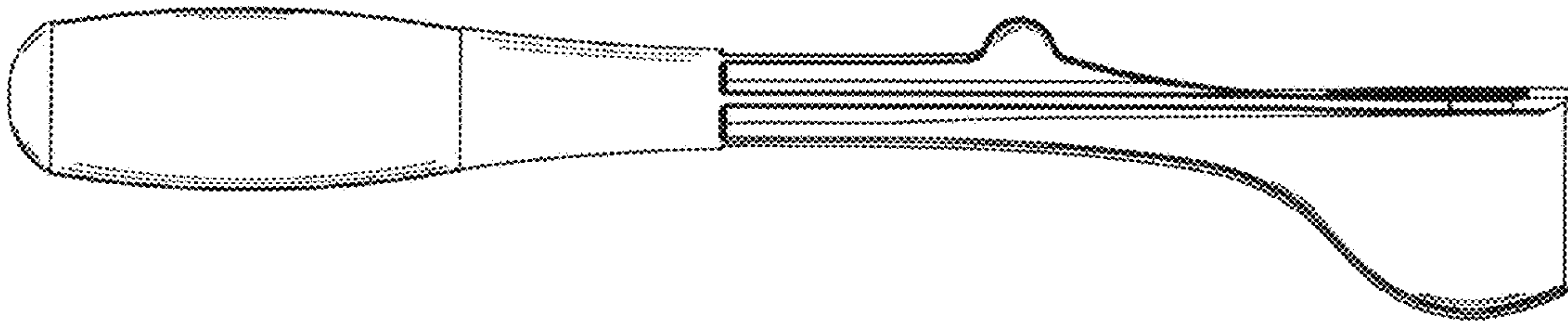


Fig. 2

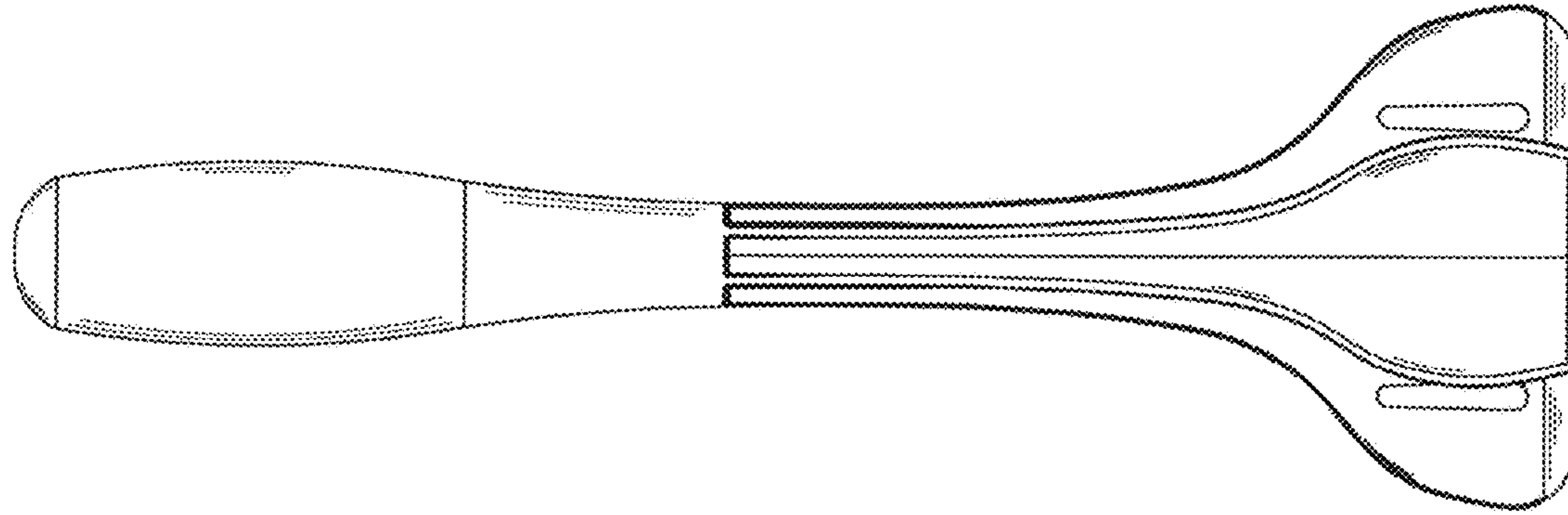


Fig. 3

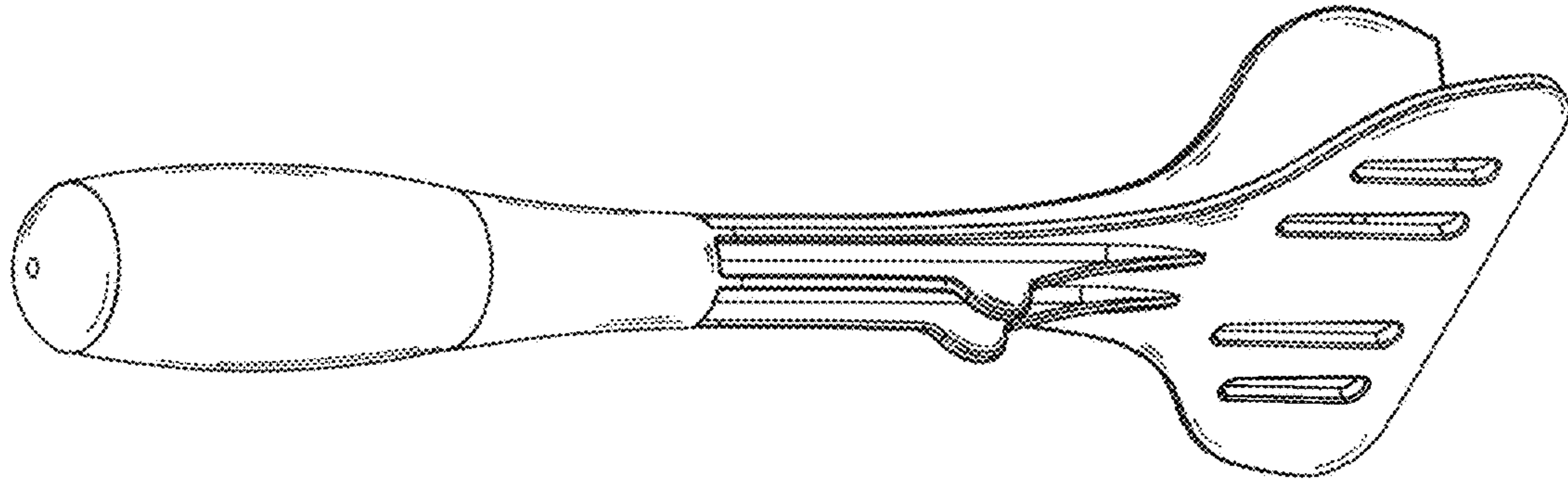


Fig. 7

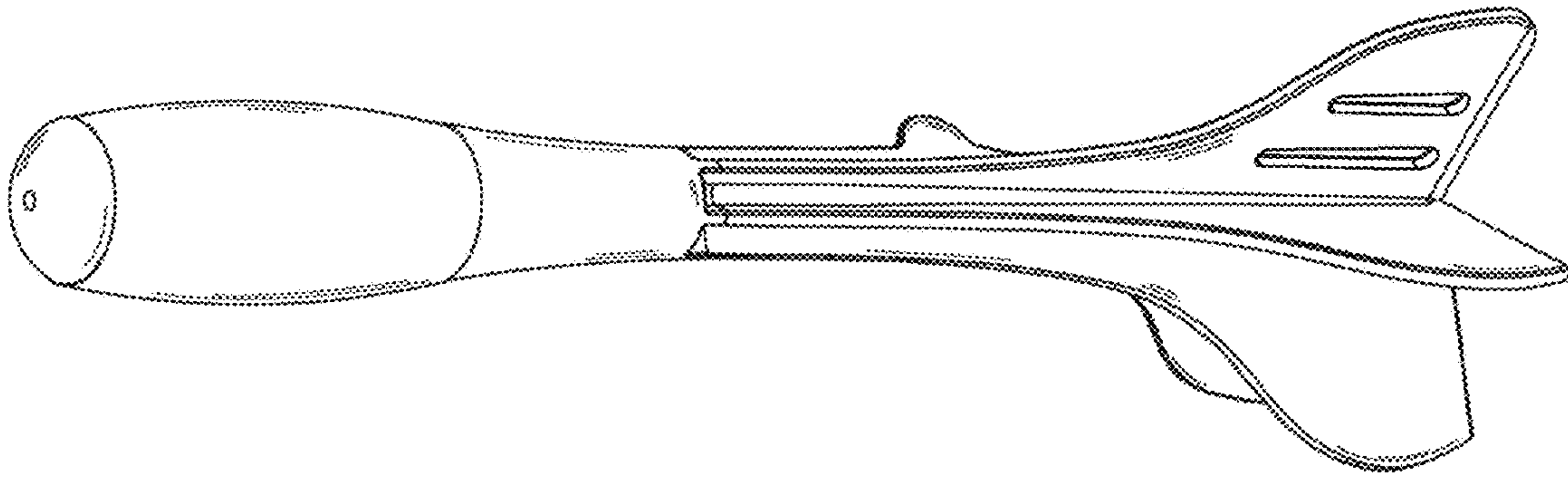


Fig. 6

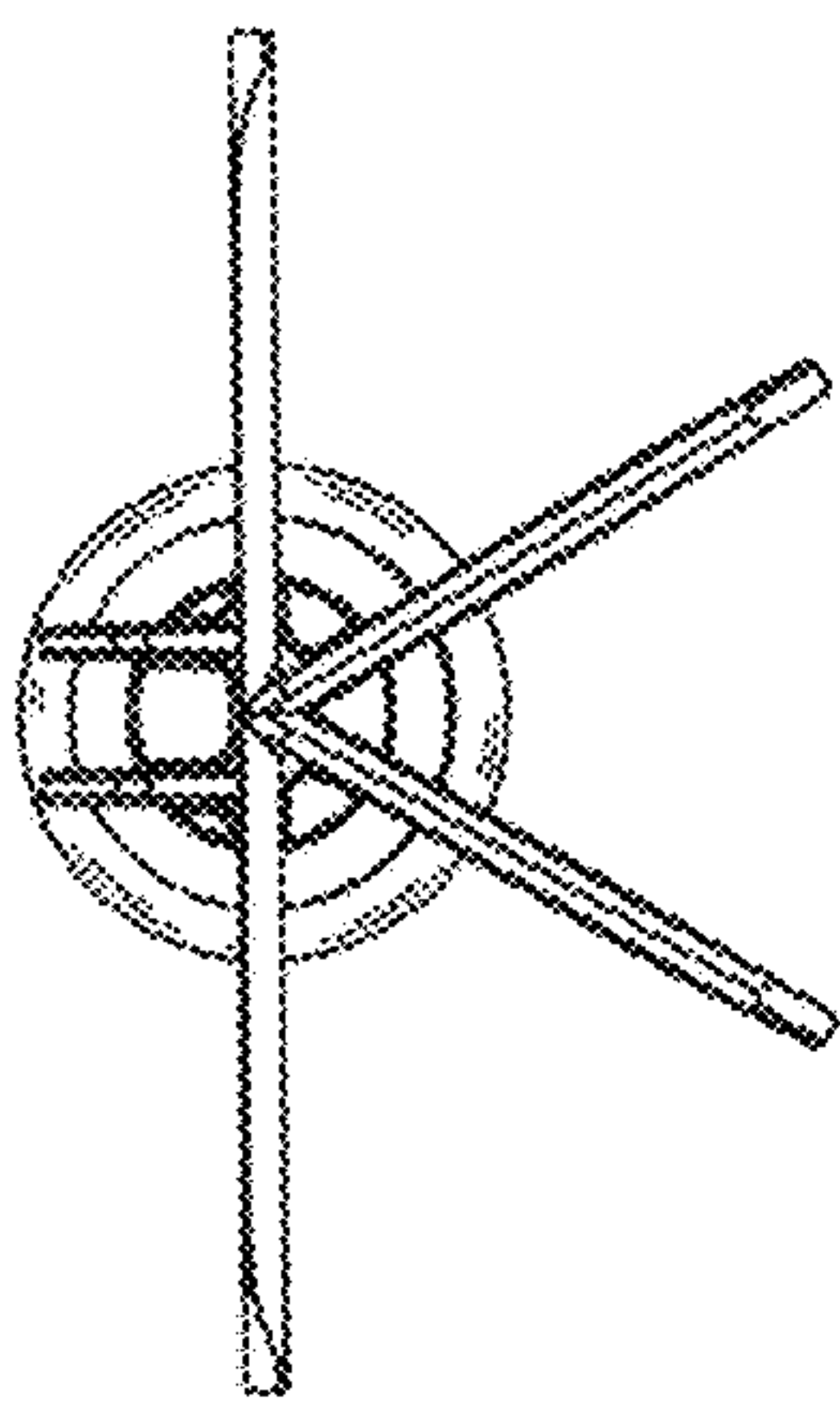


Fig. 4

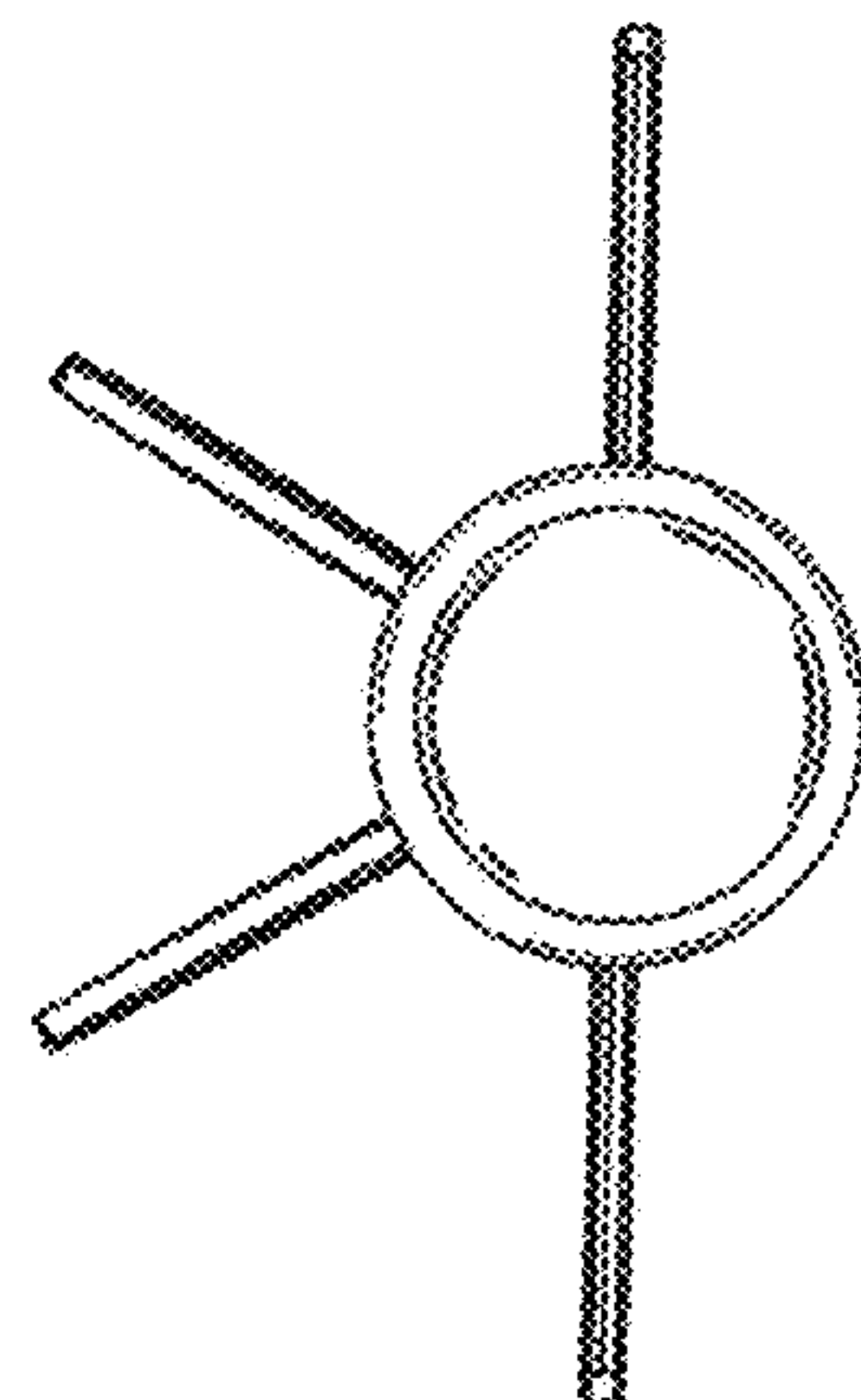


Fig. 5