



US00D889915S

(12) **United States Design Patent**
Wadsworth

(10) **Patent No.:** **US D889,915 S**
(45) **Date of Patent:** **** Jul. 14, 2020**

(54) **CONTAINER SLEEVE**
(71) Applicant: **Hydrojug, LLC**, Ogden, UT (US)
(72) Inventor: **Hayden Wadsworth**, Ogden, UT (US)
(73) Assignee: **Hydrojug, LLC**, Ogden, UT (US)
(**) Term: **15 Years**

D335,957 S * 6/1993 Cantrell 224/148.5
D373,678 S * 9/1996 Haigis D3/229
D397,550 S * 9/1998 Coughlin D3/229
D399,707 S * 10/1998 Villarreal, Jr. D7/607
6,401,993 B1 * 6/2002 Andrino A45F 5/00
224/148.5
D474,887 S * 5/2003 Forster D3/229
D704,006 S * 5/2014 Gonzales D7/607
D773,809 S * 12/2016 Lieser D3/232
2015/0265083 A1 * 9/2015 Myers A45F 5/10
220/739

(21) Appl. No.: **29/683,888**
(22) Filed: **Mar. 15, 2019**
(51) **LOC (12) Cl.** **07-06**
(52) **U.S. Cl.**
USPC **D7/624.2**; D7/607; D3/229
(58) **Field of Classification Search**
USPC D7/619.1-625, 603-608, 701-708;
D9/455; D3/215, 226, 229
CPC B65D 81/3881; B65D 81/3886; B65D
81/3883; B65D 81/3879; B65D 23/08;
B65D 23/0885; A47G 23/0241; A47G
23/0266; A47G 23/0216; A47G 19/2288;
A47G 21/145; A61F 7/10; F25D 3/08;
F25D 3/12; F25D 3/14; A45C 11/20;
A45C 1/04; A45F 3/44; A45F 3/02; A45F
3/16; A45F 3/005; A45F 5/00; A45F
5/10; A45F 2003/002; A45F 2005/006;
A45F 2200/0583
See application file for complete search history.

* cited by examiner

Primary Examiner — Terry A Wallace

(74) *Attorney, Agent, or Firm* — Preston P. Frischknecht;
Project CIP

(56) **References Cited**

U.S. PATENT DOCUMENTS

4,540,611 A * 9/1985 Henderson B65D 23/08
150/901
4,974,761 A * 12/1990 Luque A45C 1/04
224/148.5

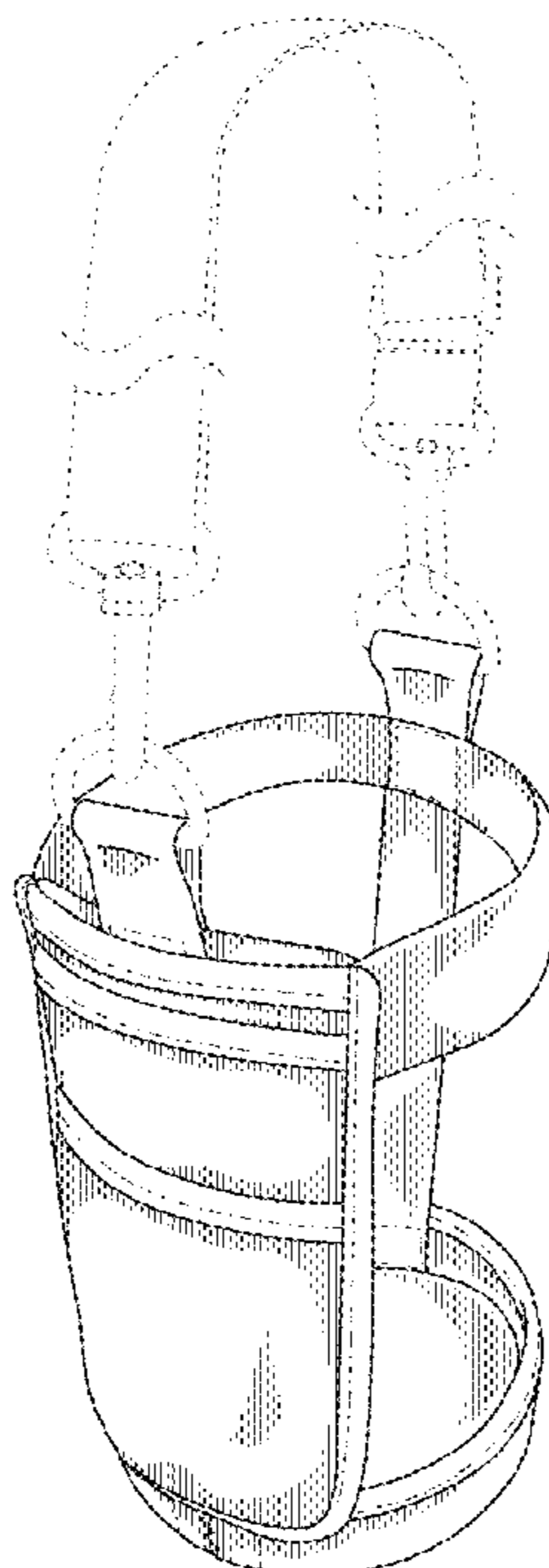
(57) **CLAIM**

The ornamental design for a container sleeve, as shown and described.

DESCRIPTION

FIG. 1 is a first perspective view;
FIG. 2 is a second perspective view;
FIG. 3 is a first side view;
FIG. 4 is a second side view;
FIG. 5 is a third side view;
FIG. 6 is a fourth side view;
FIG. 7 is a top view; and,
FIG. 8 is a bottom view.
The dashed lines depict portions of the container sleeve that form no part of the claimed design. The dash dot dot lines depict stitching of the container sleeve that forms no part of the claimed design.

1 Claim, 7 Drawing Sheets



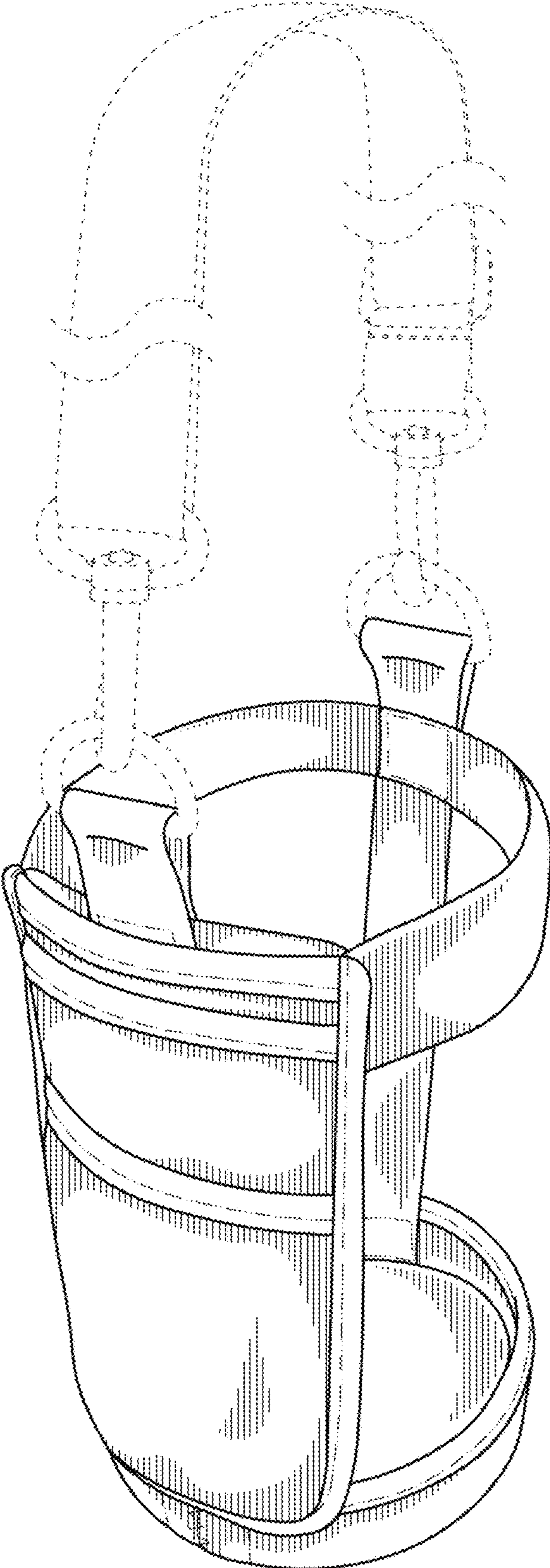


FIG. 1

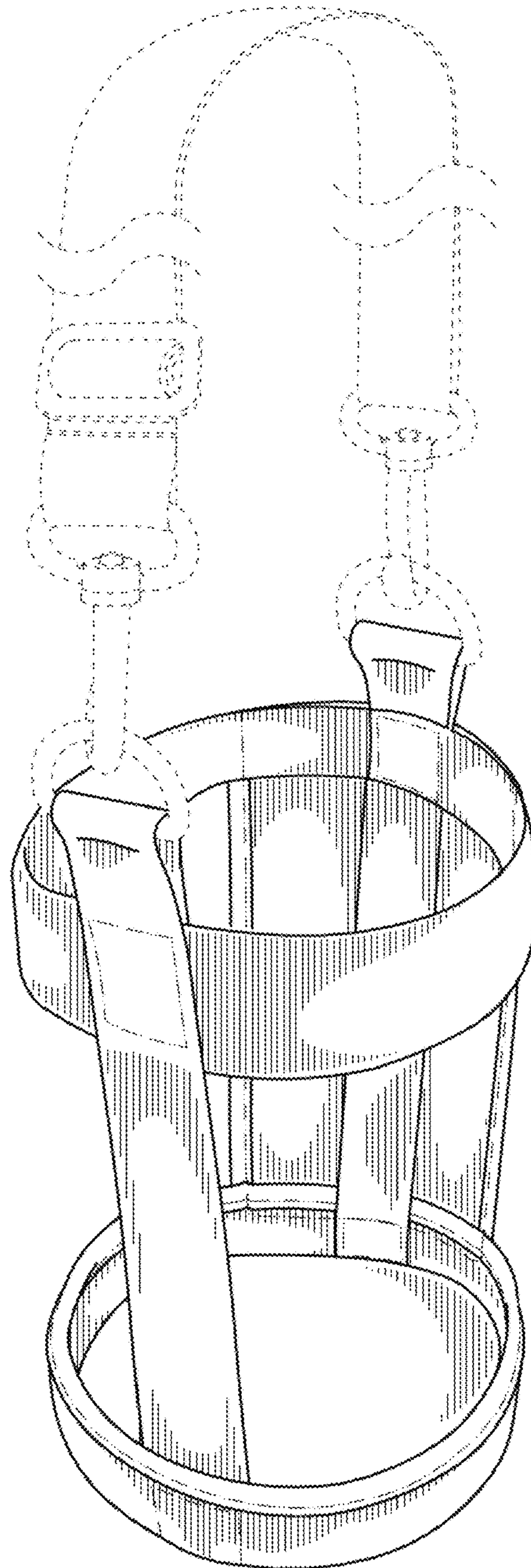


FIG. 2

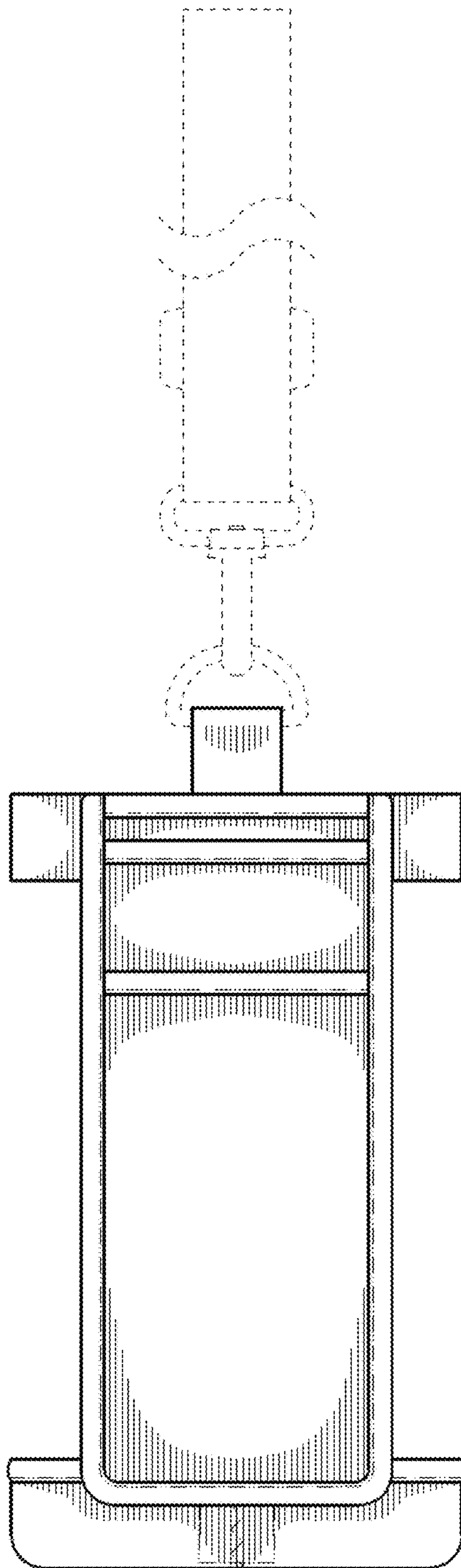


FIG. 3

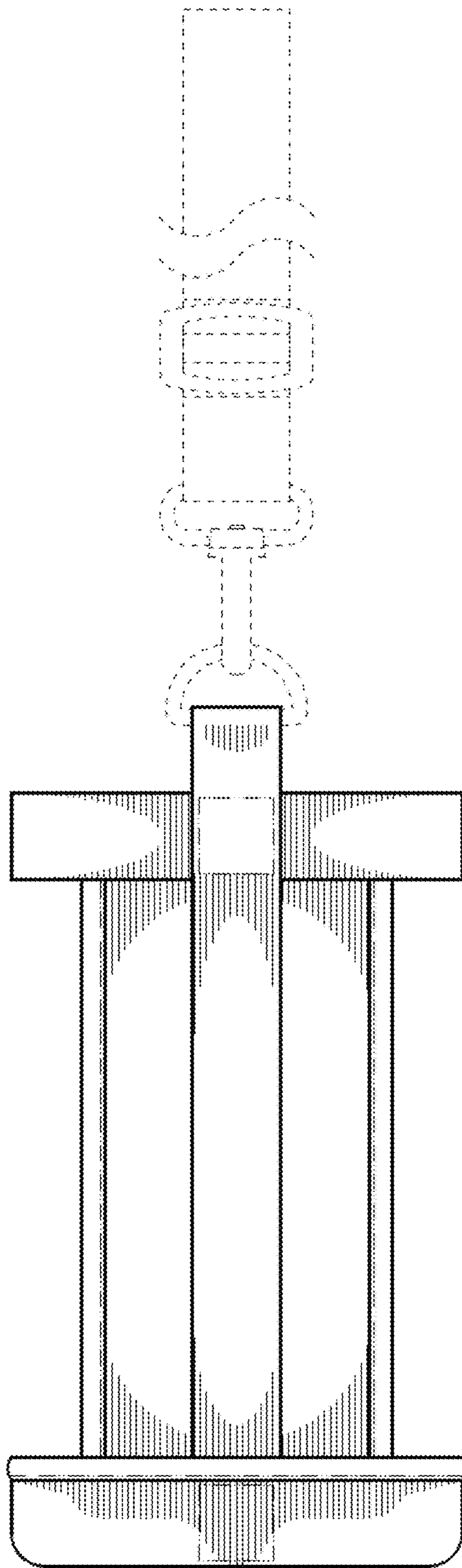


FIG. 4

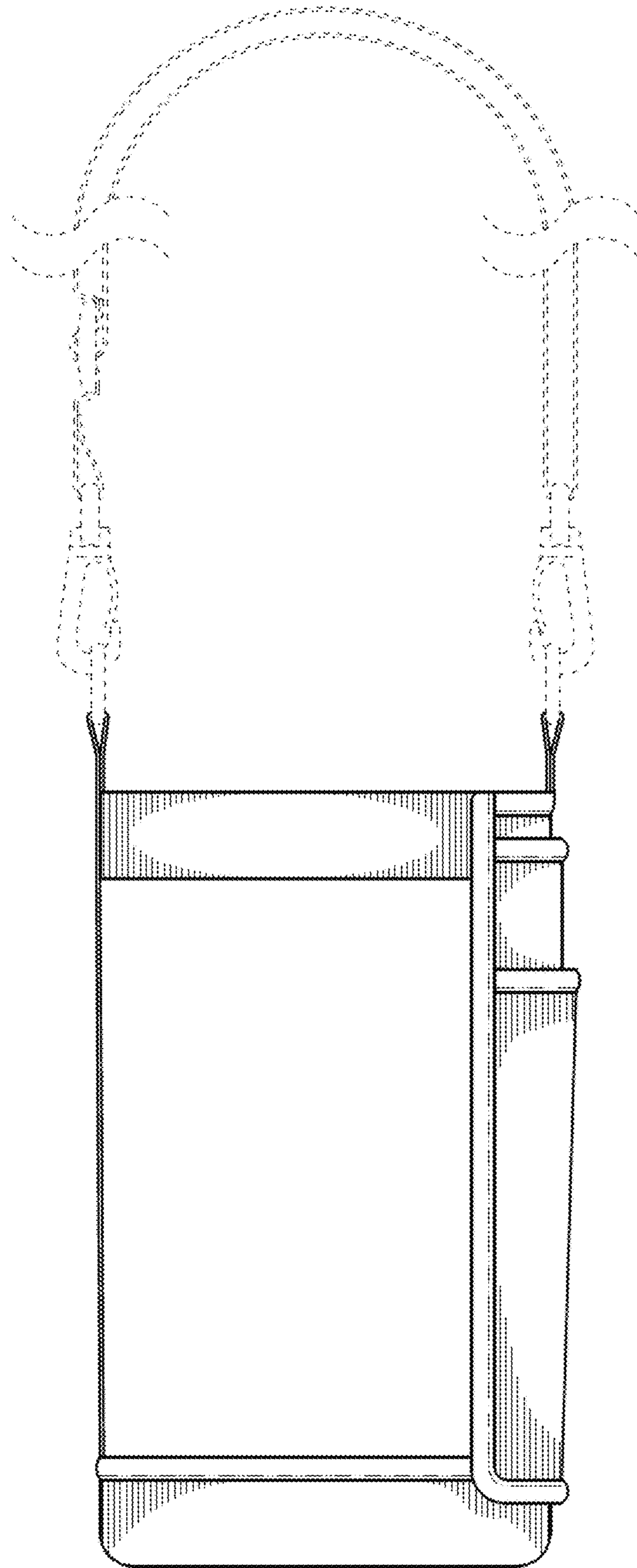


FIG. 5

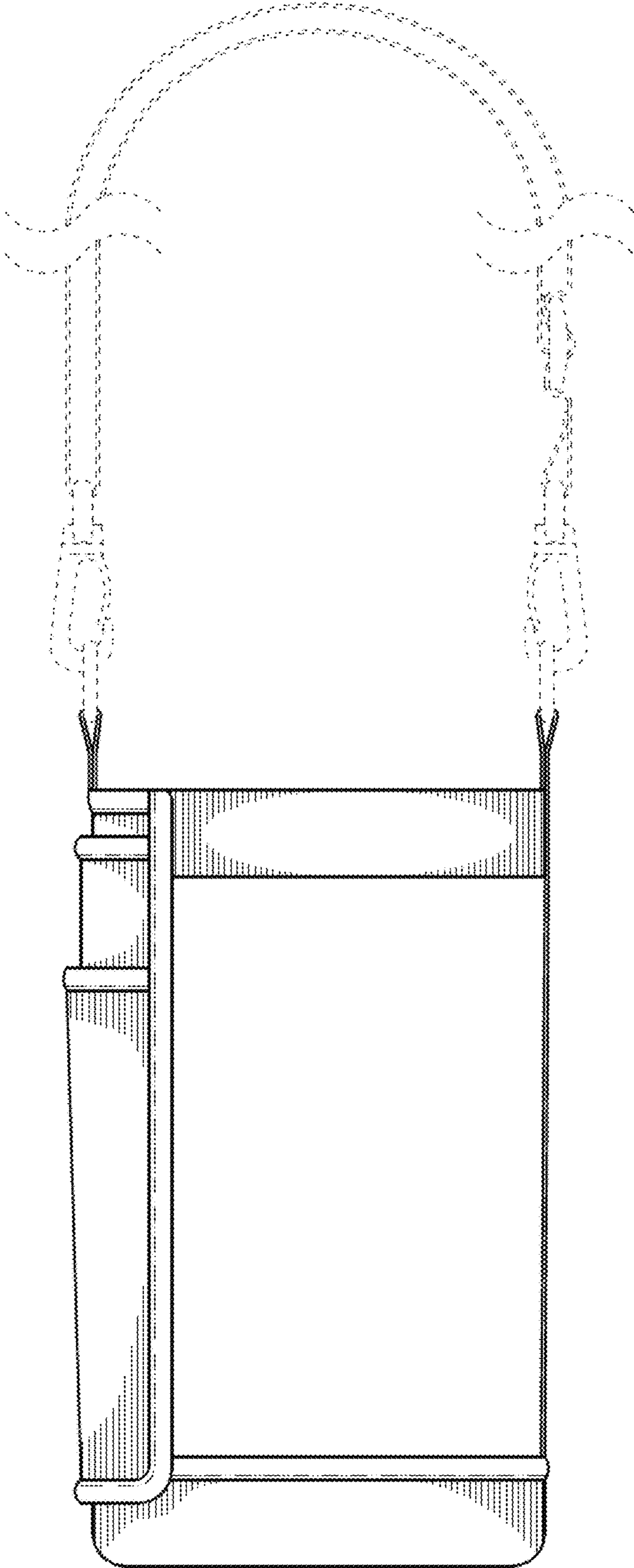


FIG. 6

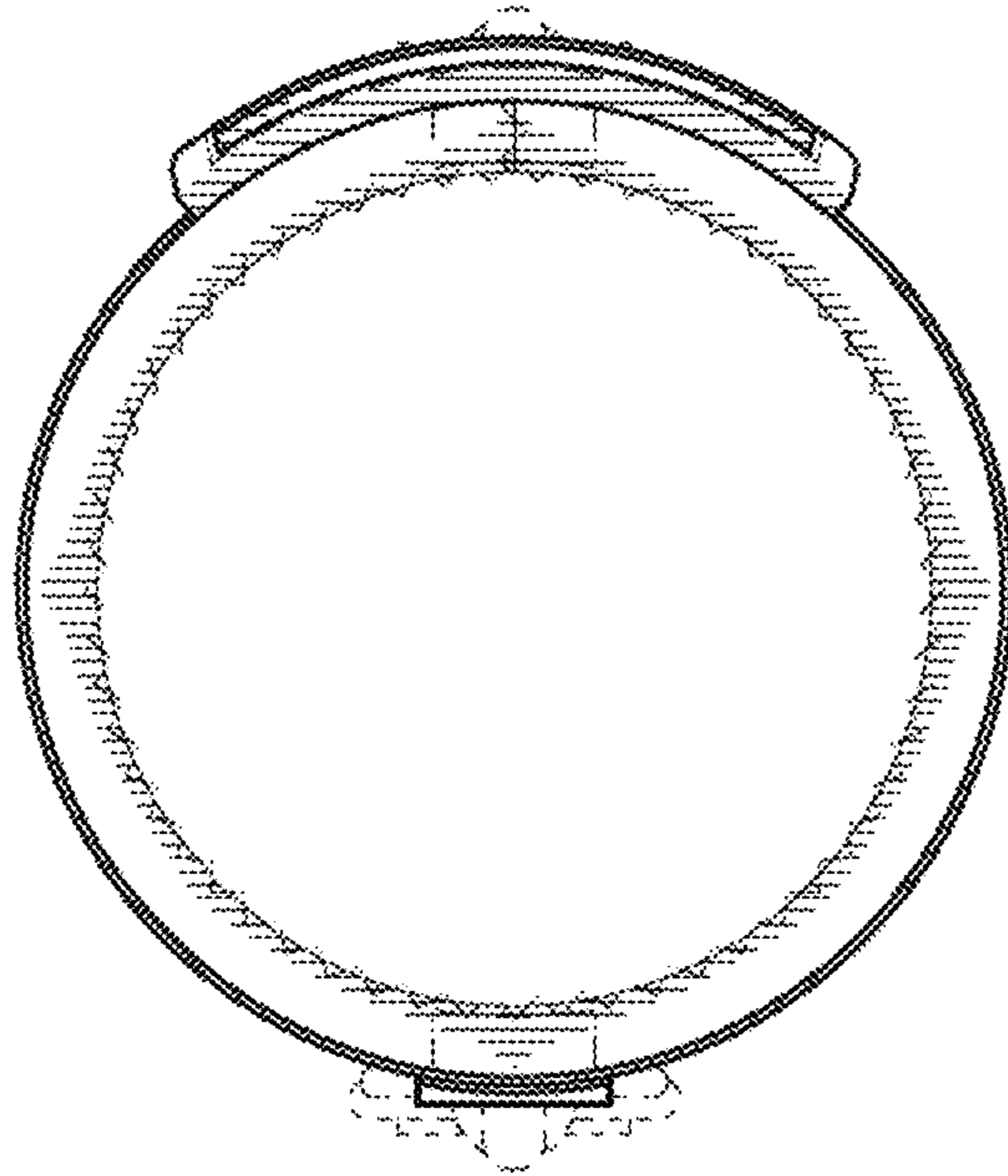


FIG. 8

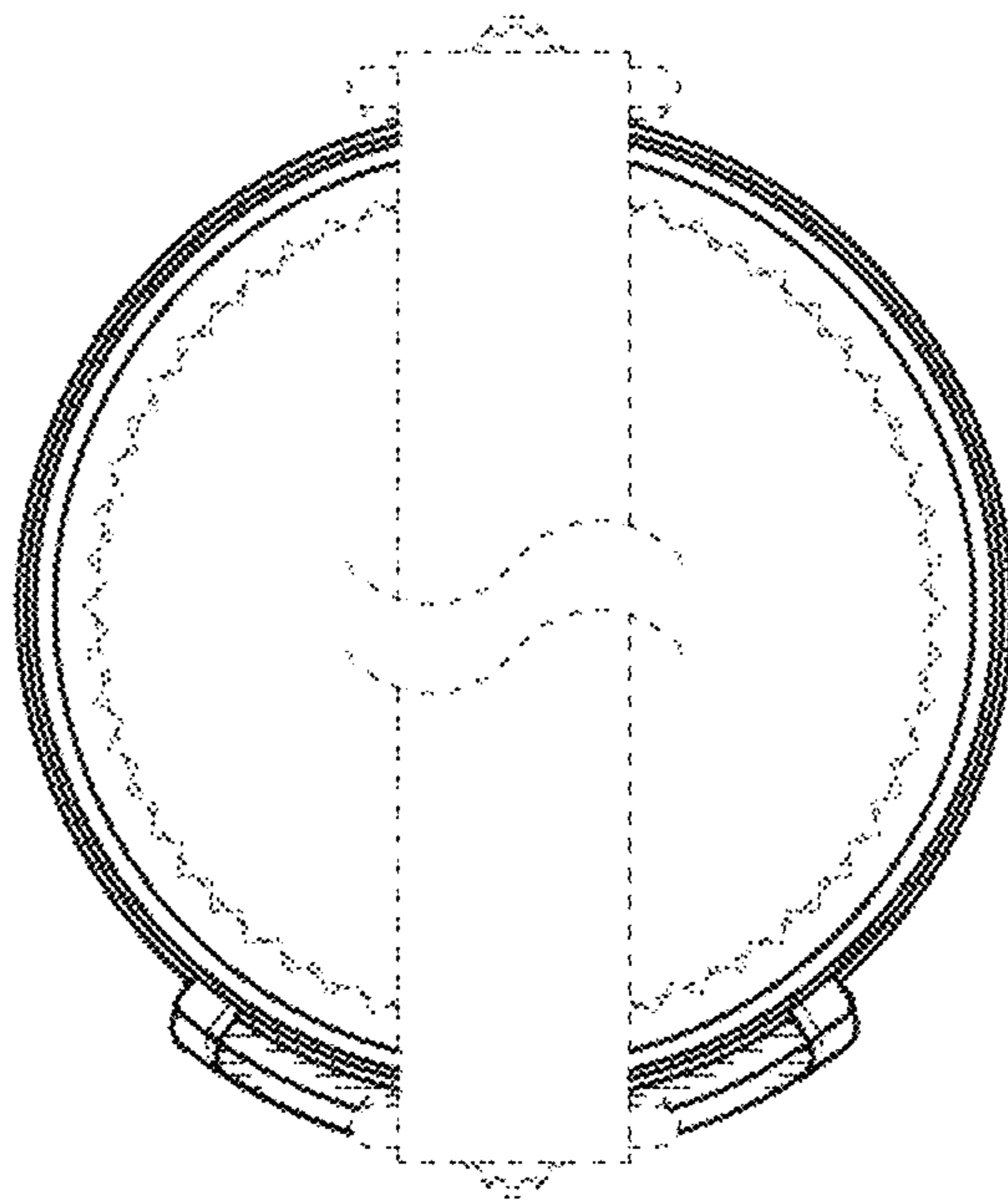


FIG. 7