



US00D889912S

(12) **United States Design Patent** (10) **Patent No.:** **US D889,912 S**
Laukala (45) **Date of Patent:** **** Jul. 14, 2020**

(54) **TAPERED BEVERAGE CONTAINER SLEEVE**

(71) Applicant: **BEERSY L.L.C.**, Ravensdale, WA (US)

(72) Inventor: **Kyle Laukala**, Ravensdale, WA (US)

(73) Assignee: **BEERSY L.L.C.**, Ravensdale, WA (US)

(**) Term: **15 Years**

(21) Appl. No.: **29/679,485**

(22) Filed: **Feb. 6, 2019**

(51) **LOC (12) Cl.** **07-01**

(52) **U.S. Cl.**
USPC **D7/608**

(58) **Field of Classification Search**

USPC D7/605–608, 619.1–625, 509–511;
D9/500–505, 537, 522, 558, 516, 532,
D9/443

CPC A47G 23/0216; A47G 23/0258; A47G
19/2205; A47G 19/2288; A47G 19/2272;
F17C 13/001; B65D 81/3886; B65D
81/3823; B65D 81/3818; B65D 81/3846;
B65D 81/3837; B65D 81/3839; B65D
81/3841; B65D 81/3844; B65D 81/3876;
B65D 81/3879; B65D 81/3883; B65D
81/3888; B65D 1/0215; B65D 21/0228;
B65D 21/083; B65D 23/0885; B65D
41/04; B65D 1/06; B65D 1/04; F25D
3/08; F25D 3/14; F25D 2331/804; A47J
42/02; A47J 41/0077; A47J 41/02; A47J
41/022; A47J 41/024; A47J 41/026; A47J
41/028; A47J 41/00; A47J 43/27; A45C
11/20; B44C 1/18; A45F 3/16

See application file for complete search history.

(56) **References Cited**

U.S. PATENT DOCUMENTS

4,540,611 A * 9/1985 Henderson B65D 23/08
150/901
6,158,612 A * 12/2000 Alpert A47G 23/0216
220/662
6,604,649 B1 * 8/2003 Campi B65D 81/3886
220/592.17

* cited by examiner

Primary Examiner — Terry A Wallace

(74) *Attorney, Agent, or Firm* — Æon Law; Adam L. K. Philipp; Jonathan E. Olson

(57) **CLAIM**

The ornamental design for a tapered beverage container sleeve, as shown and described.

DESCRIPTION

FIG. 1 is an oblique view of a tapered beverage container sleeve showing my new design.

FIG. 2 is a front view thereof;

FIG. 3 is a rear view thereof;

FIG. 4 is a left-side view thereof;

FIG. 5 is a right-side view thereof;

FIG. 6 is a top view thereof; and,

FIG. 7 is a bottom view thereof.

The lettering and other broken lines of FIGS. 1-5 depict markings on the tapered beverage container sleeve that form no part of the claimed design.

1 Claim, 4 Drawing Sheets

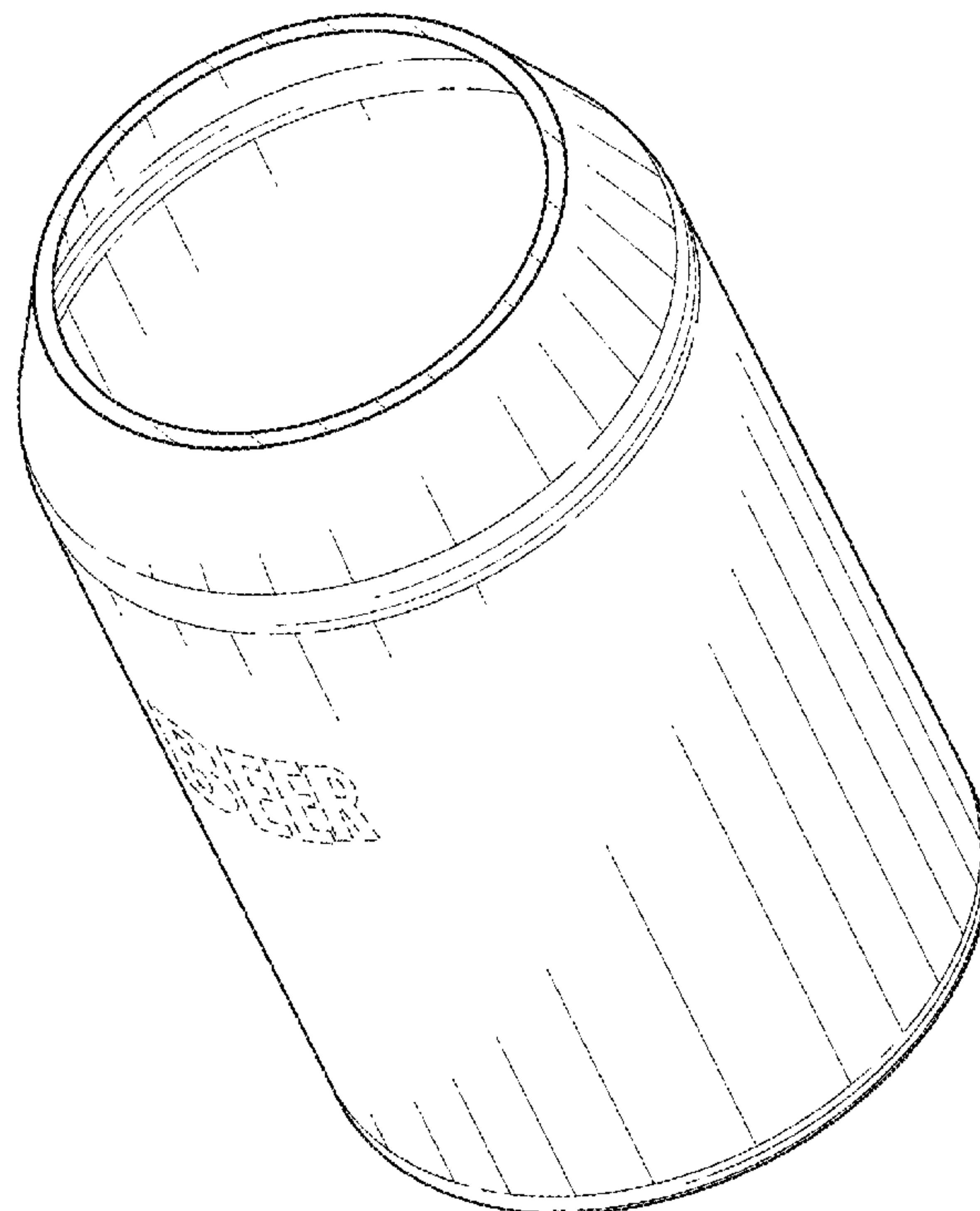
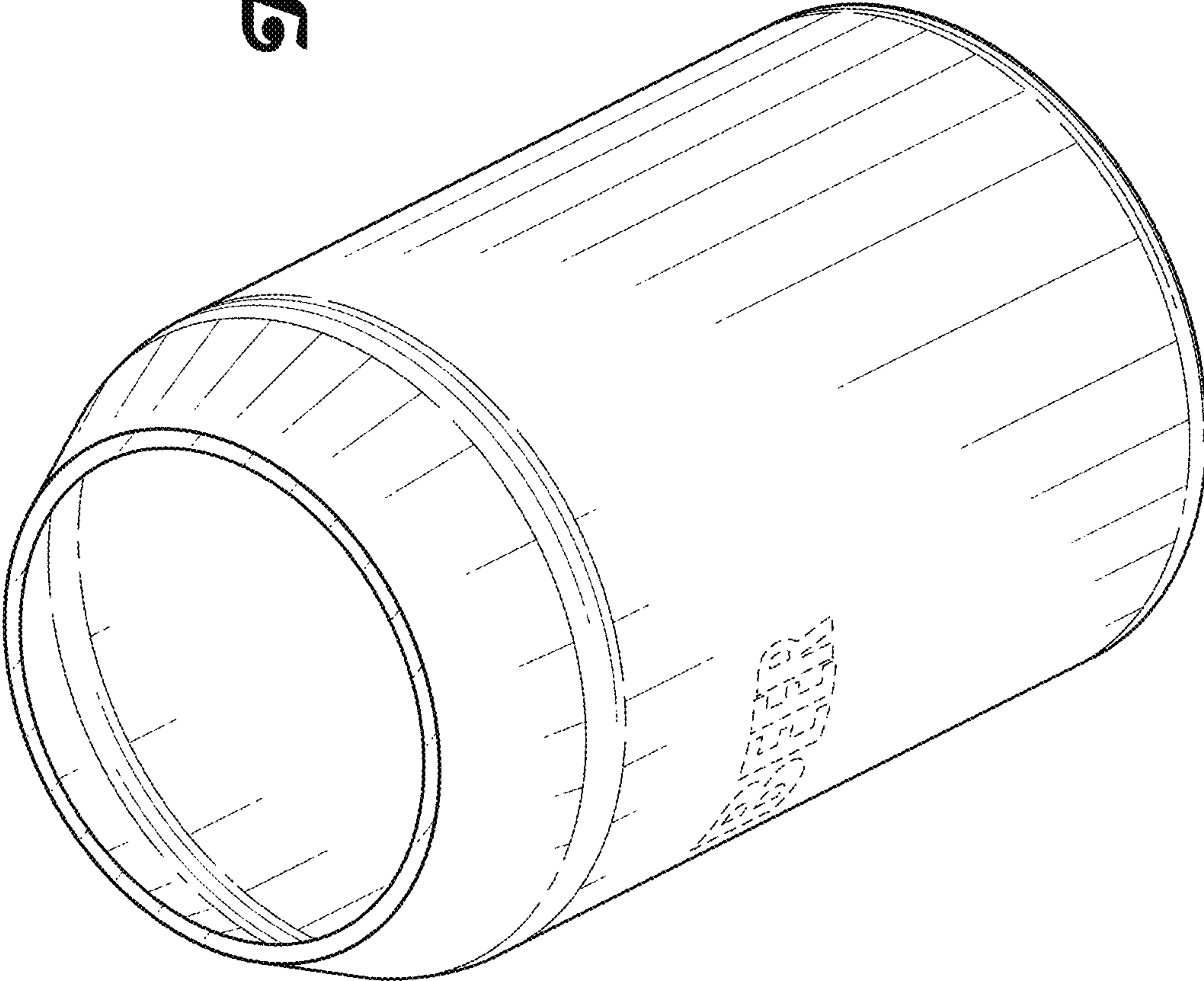


Fig. 1



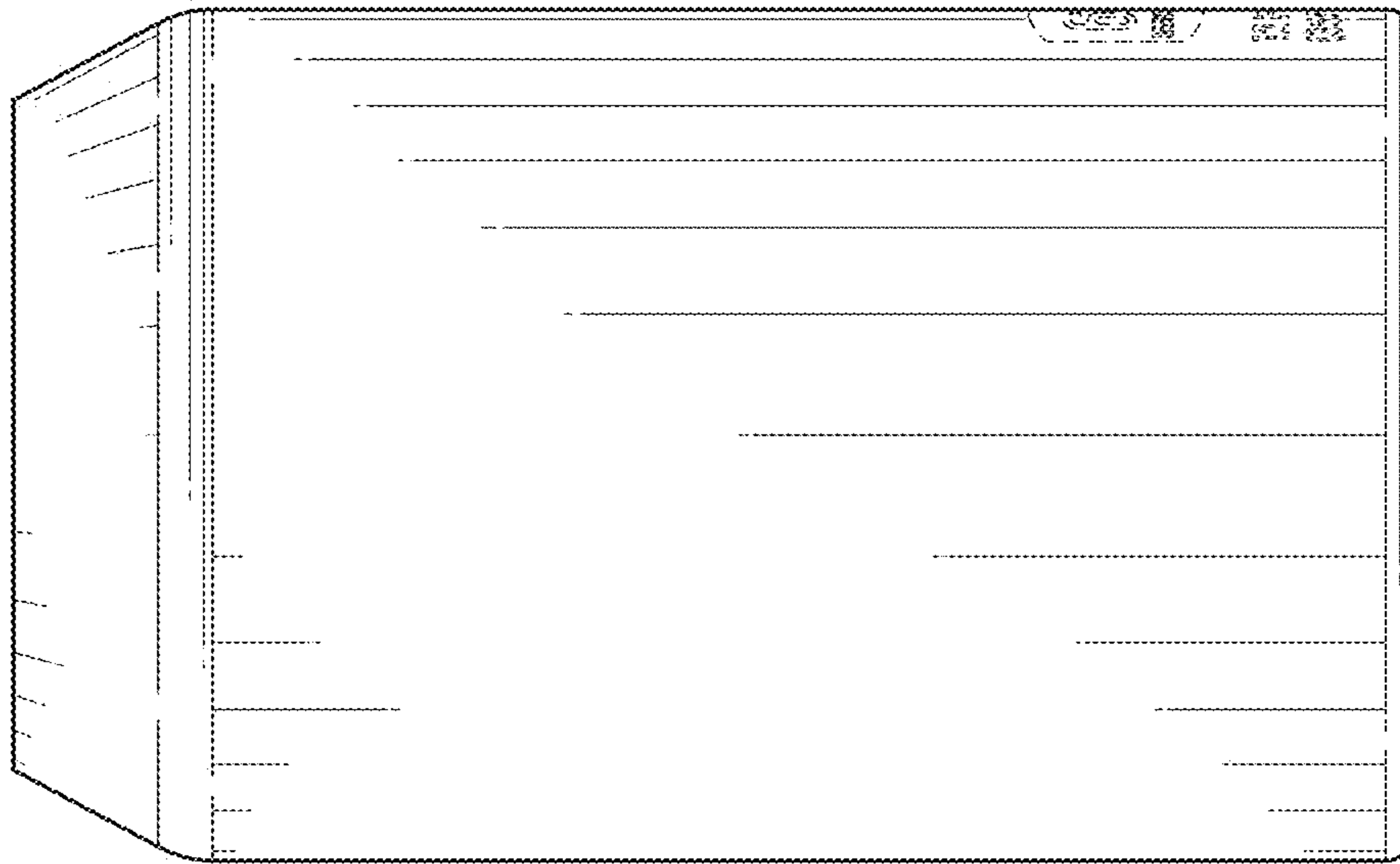


Fig. 2

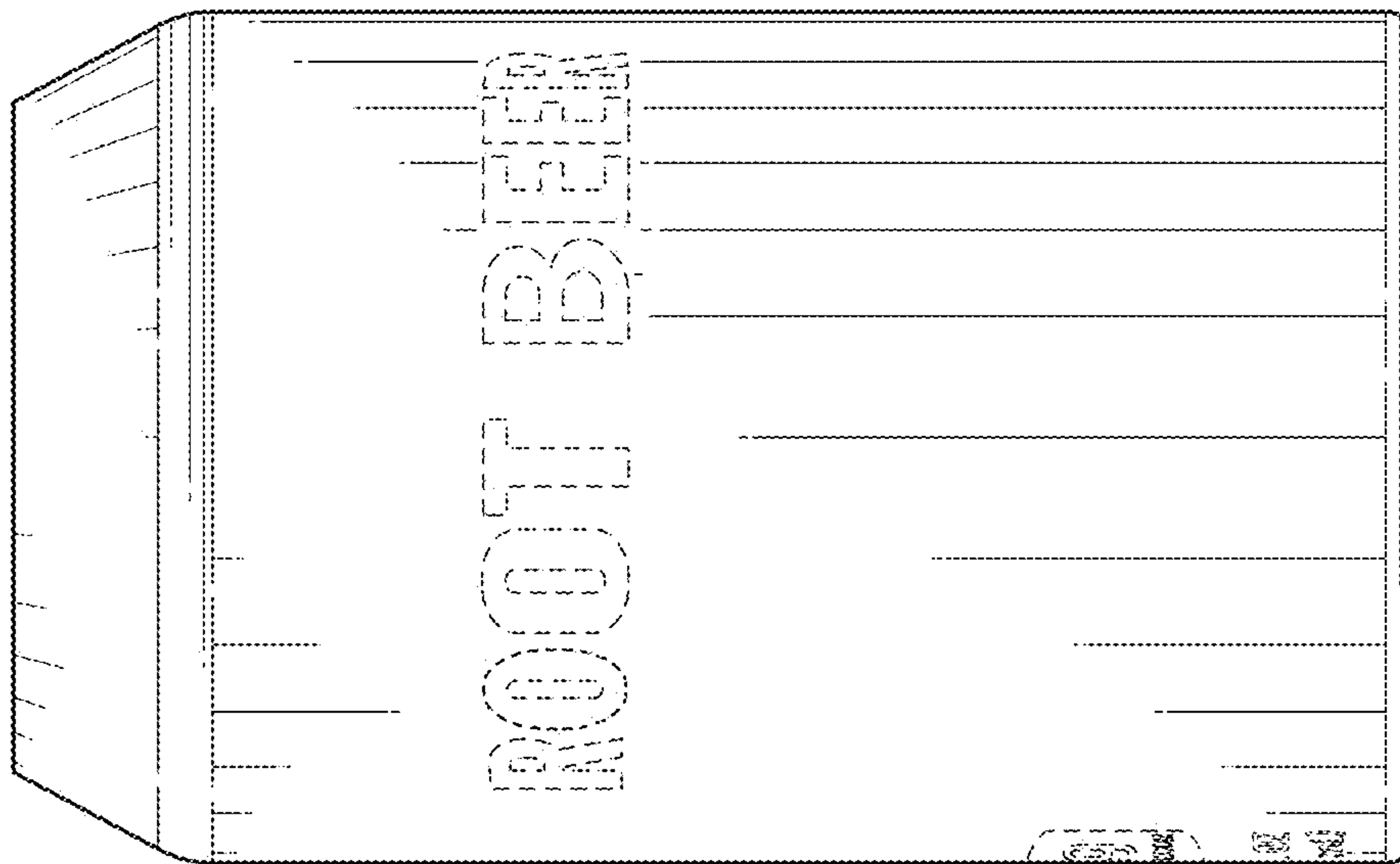


Fig. 3

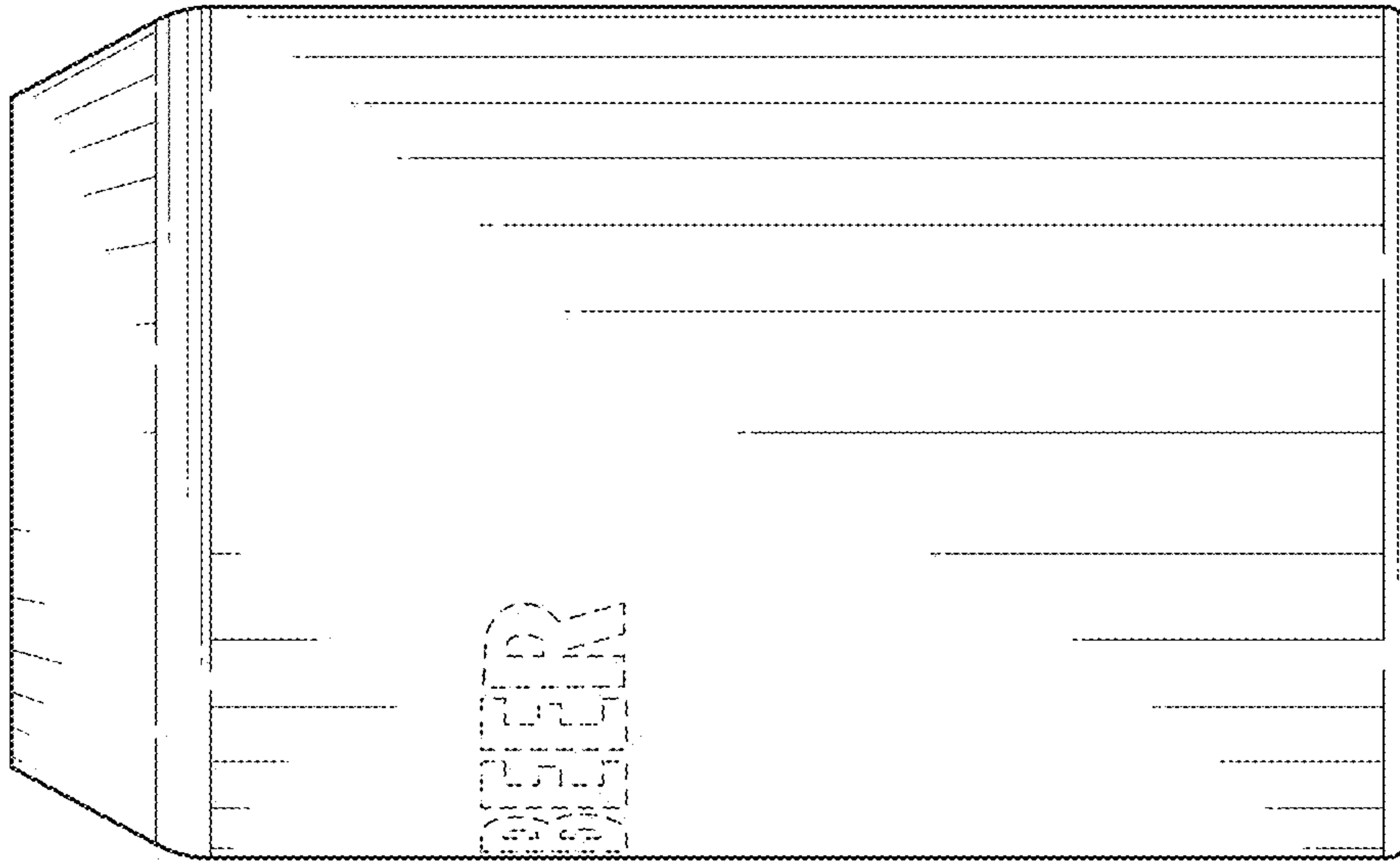


Fig. 5

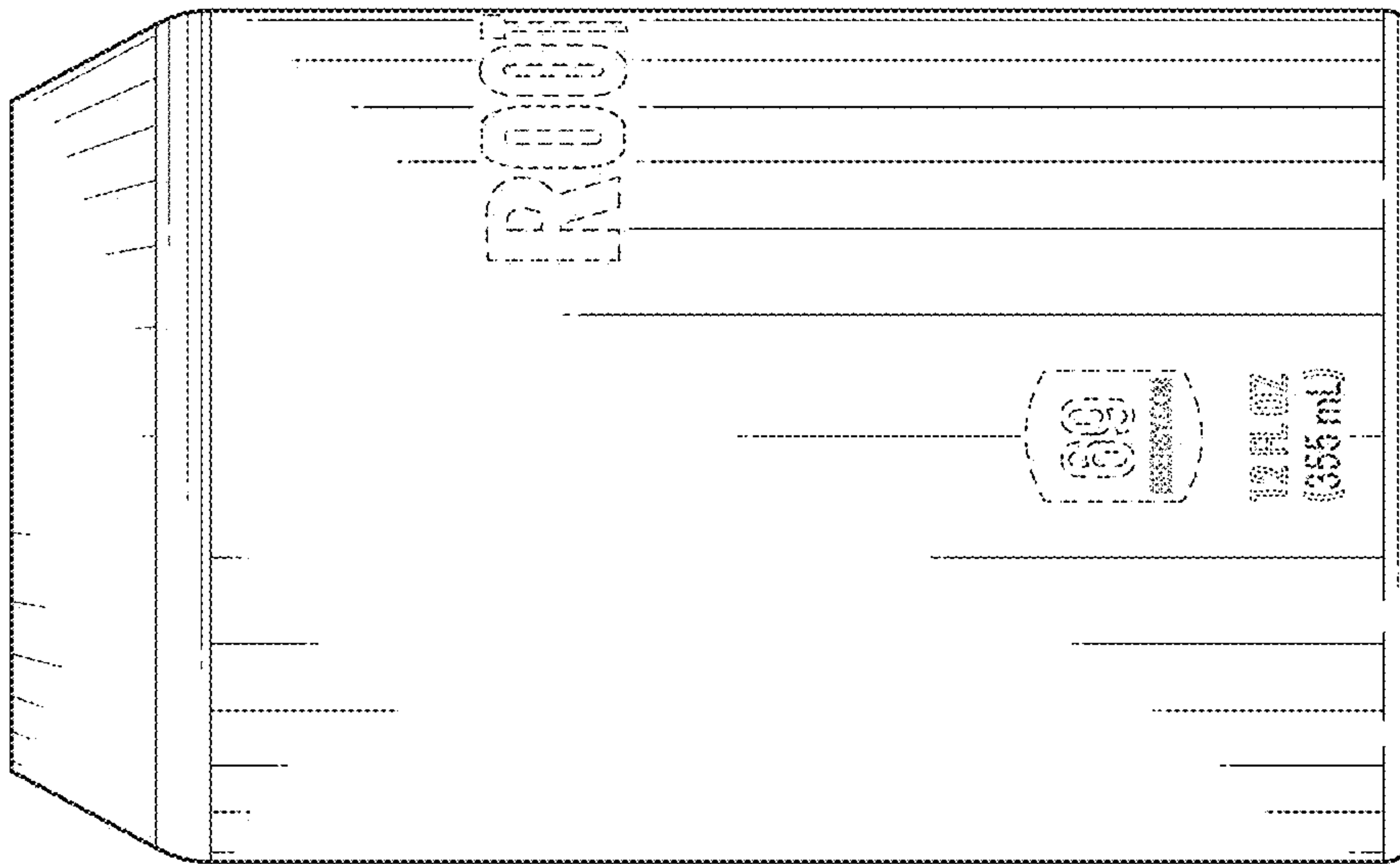


Fig. 4

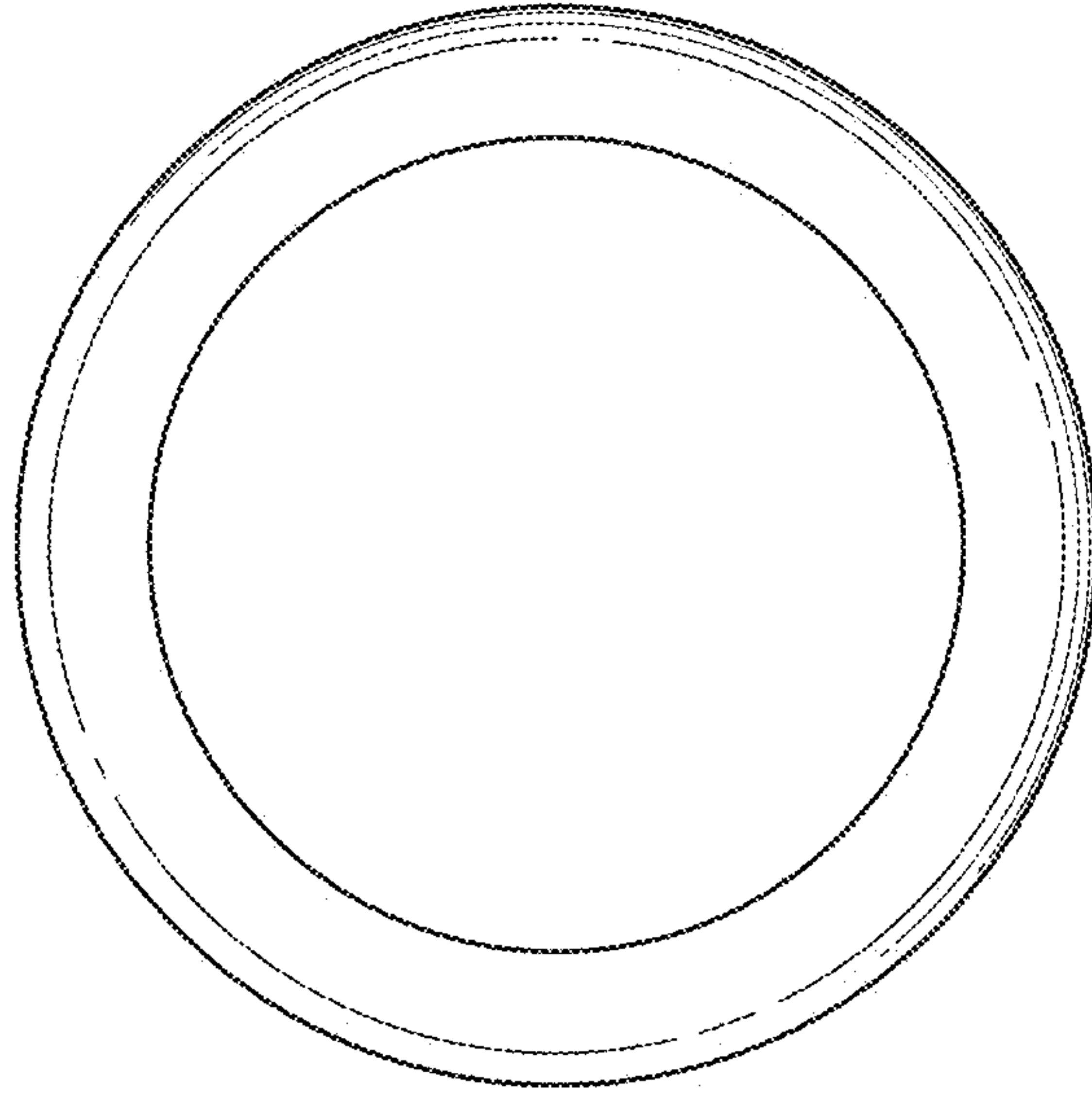


Fig. 7

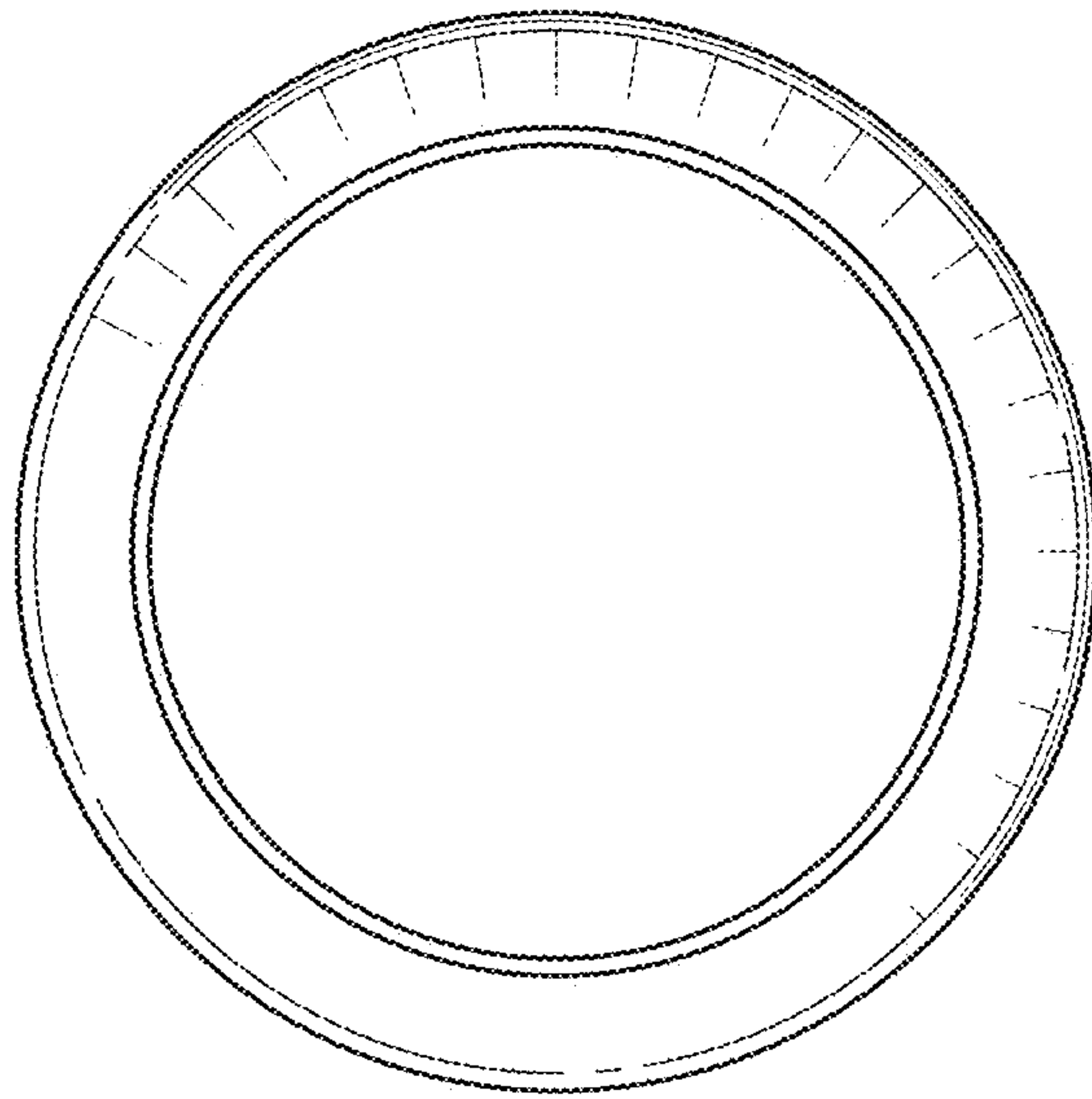


Fig. 6



US00D889912C1

(12) **EX PARTE REEXAMINATION CERTIFICATE** (11886th)
United States Patent
Laukala

(10) **Number:** **US D889,912 C1**
(45) **Certificate Issued:** **Jul. 28, 2021**

- (54) **TAPERED BEVERAGE CONTAINER SLEEVE**
- (71) Applicant: **BEERSY L.L.C.**, Ravensdale, WA (US)
- (72) Inventor: **Kyle Laukala**, Ravensdale, WA (US)
- (73) Assignee: **BEERSY L.L.C.**, Ravensdale, WA (US)

- (51) **LOC (13) Cl.** 07-01
- (52) **U.S. Cl.**
USPC **D7/608**
- (58) **Field of Classification Search**
USPC D7/608
See application file for complete search history.

Reexamination Request:

No. 90/014,602, Nov. 2, 2020

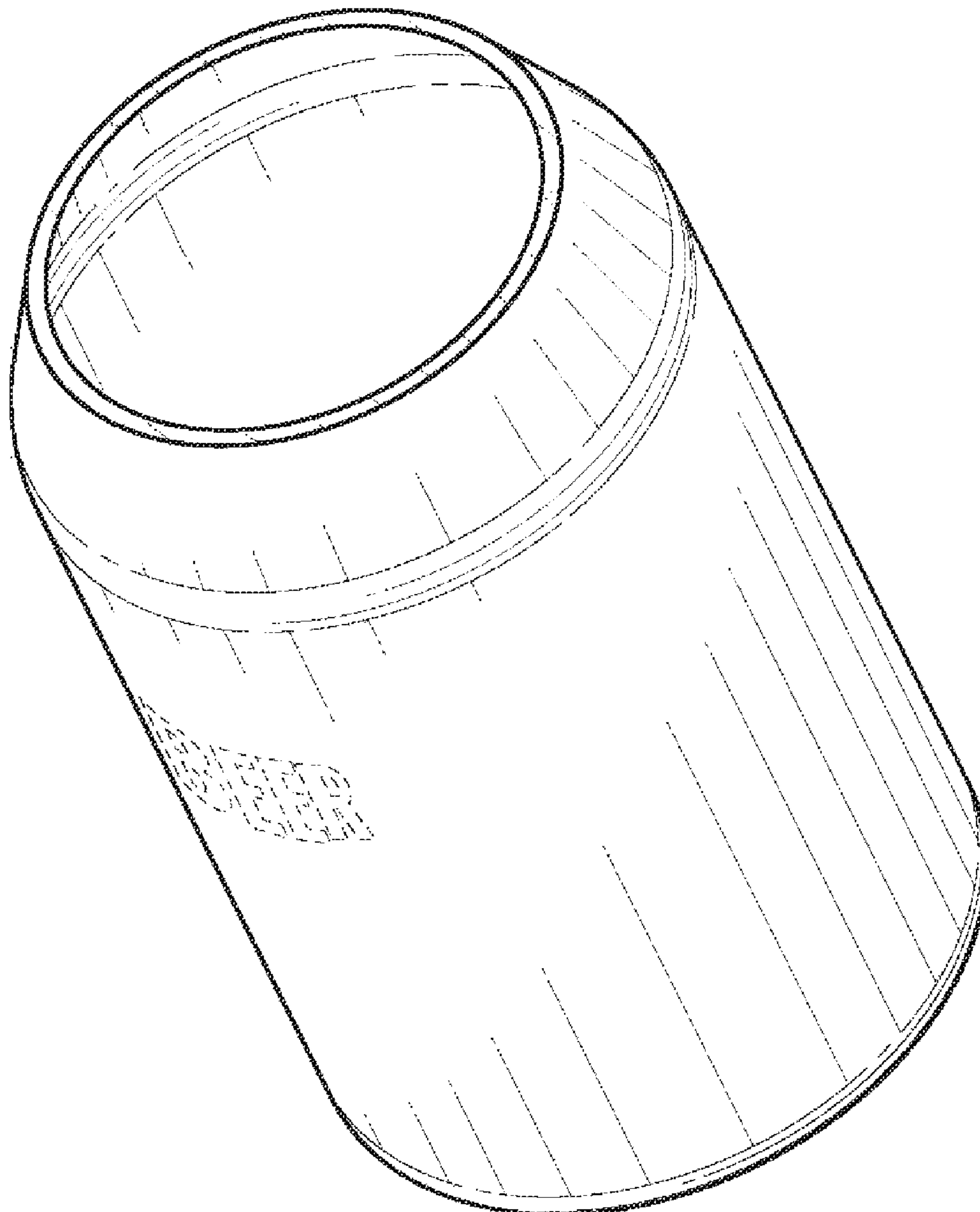
Reexamination Certificate for:

Patent No.: **Des. 889,912**
Issued: **Jul. 14, 2020**
Appl. No.: **29/679,485**
Filed: **Feb. 6, 2019**

(56) **References Cited**

To view the complete listing of prior art documents cited during the proceeding for Reexamination Control Number 90/014,602, please refer to the USPTO's public Patent Application Information Retrieval (PAIR) system under the Display References tab.

Primary Examiner — Kevin K Rudzinski



1
EX PARTE
REEXAMINATION CERTIFICATE

NO AMENDMENTS HAVE BEEN MADE TO 5
THE PATENT

AS A RESULT OF REEXAMINATION, IT HAS BEEN
DETERMINED THAT:

The patentability of claim 1 is confirmed. 10

* * * * *